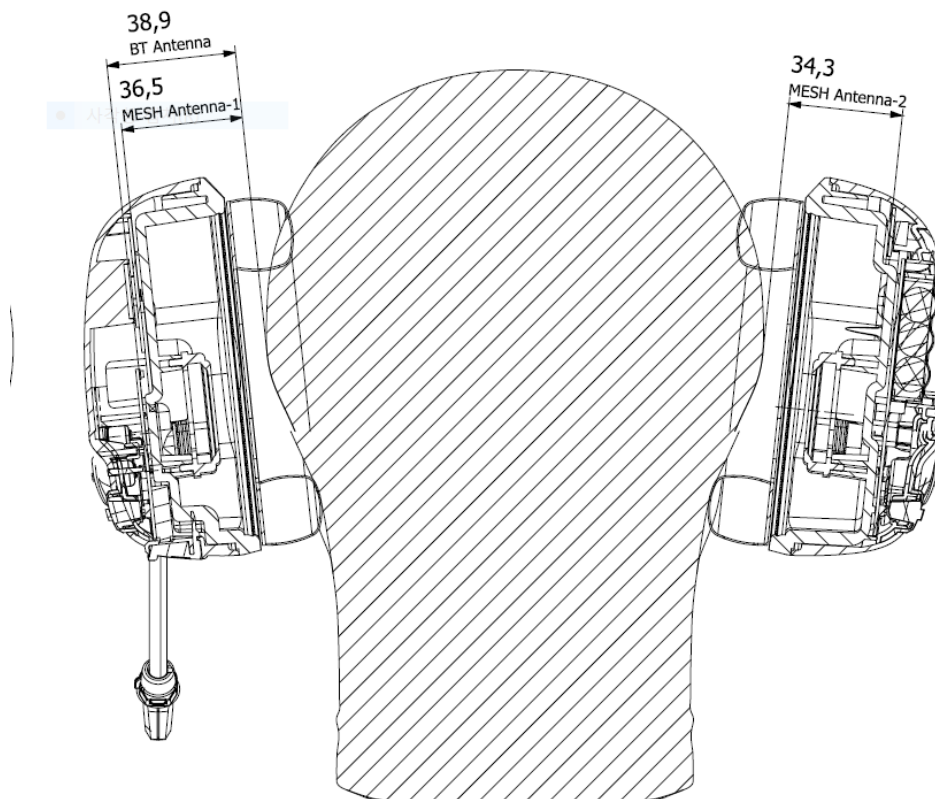


June 23th, 2022

Applicant: SENNA TECHNOLOGIES.Inc
FCC ID: S7A-SP123 / IC: 8154A-SP123

To. Whom it may concern:

We, Sena Technologies,Inc. declare that when equipped, the distance between antenna and one's head surface is 34.3mm.



Contact Name: Seunghyun Kim
Title: Research Engineer