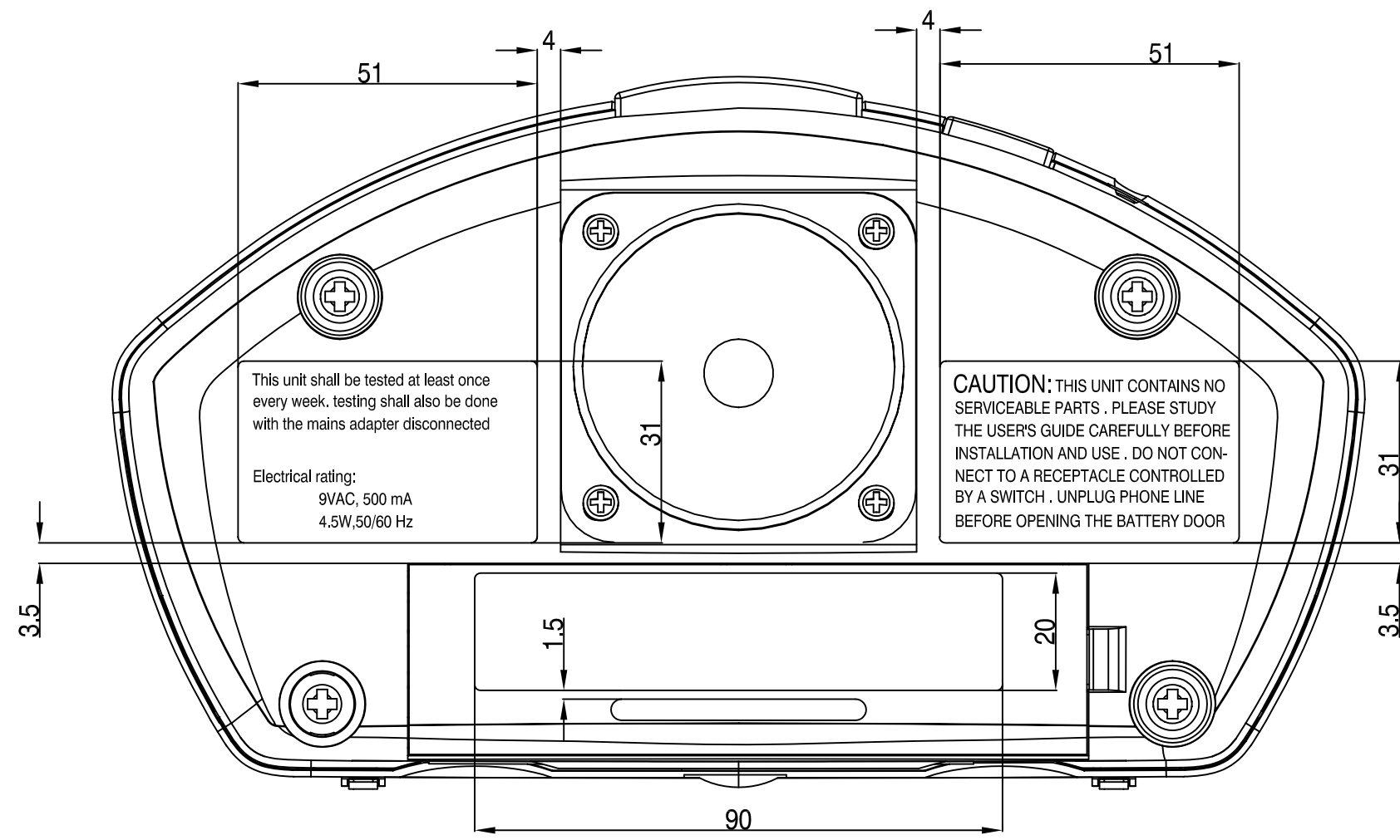


Unit: mm



**FCC ID:S6F64RW9401**

This device complies with part 15 of the FCC Rules. Operation is subject to the following two conditions: (1) this device may not cause harmful interference, and (2) this device must accept any interference received, including interference that may cause undesired operation,

This device also complies with part 68 of the FCC rules and the requirements adopted by the ACTA.



UL LISTED:XXXXXXXX  
CONFORMS TO UL 1637

US:TKJAL00B64US9401  
CONFORMS TO FCC STANDARDS

RJ11C