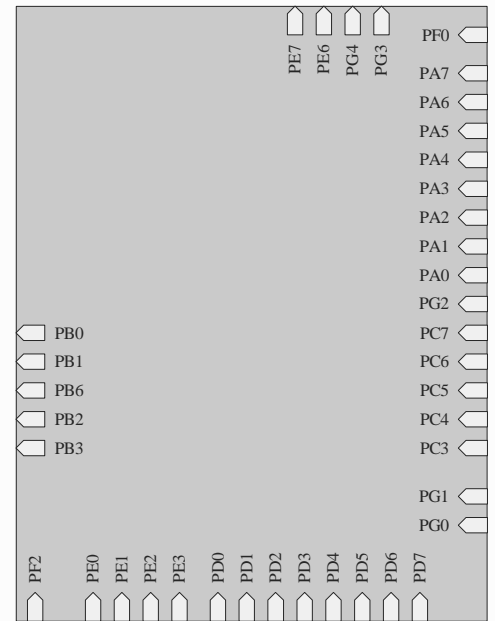
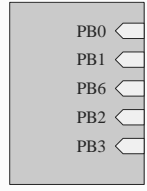


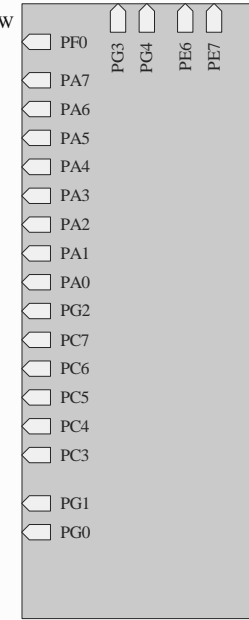
Mega64
WK-2801-CPU



2.4G
WK-2801-RF



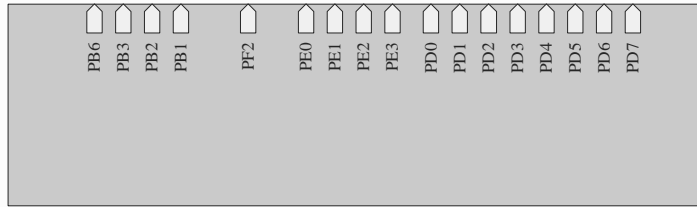
SWITCH
WK-2801-SW



POWER
WK-2801-POWER

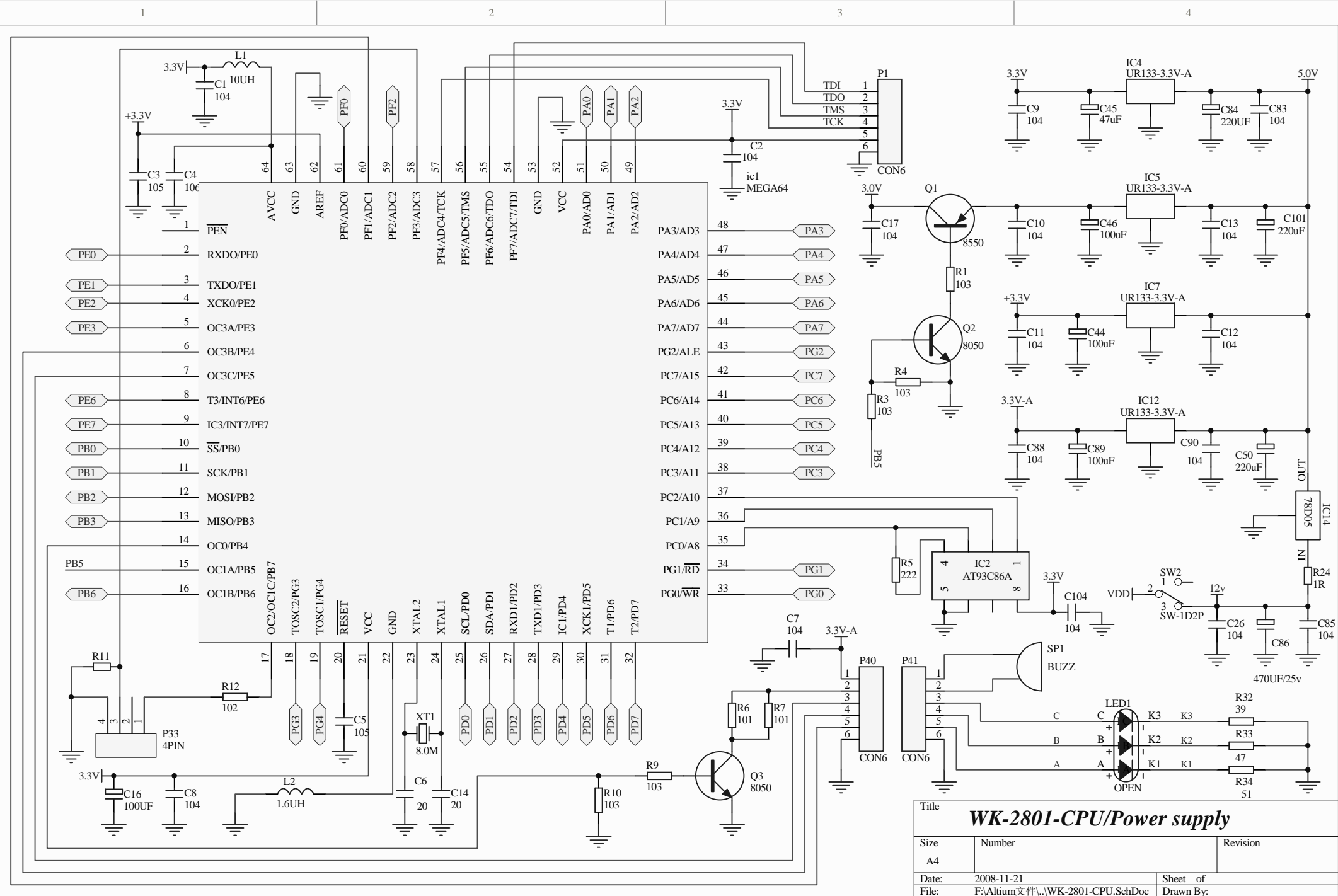


LCD
WK-2801-LCD

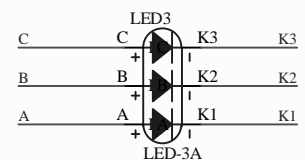
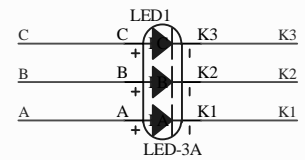
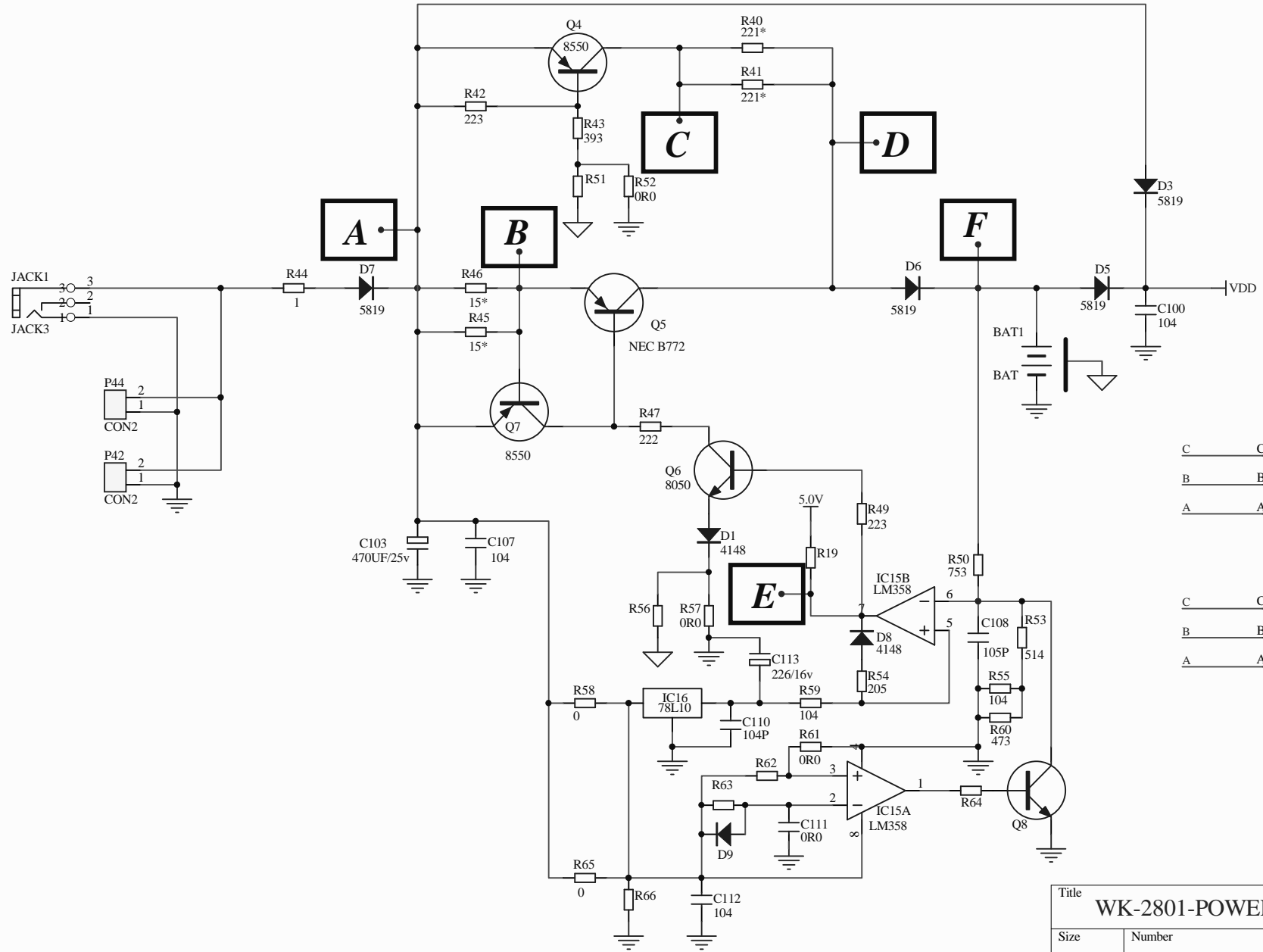


Title			WK-2801-LCD		
Size	Number		Revision		
A4					
Date:	2008-11-21		Sheet of		
File:	F:\Altium文件\WK-2801\WK-2801.SchDoc		Drawn By:		chenzongli

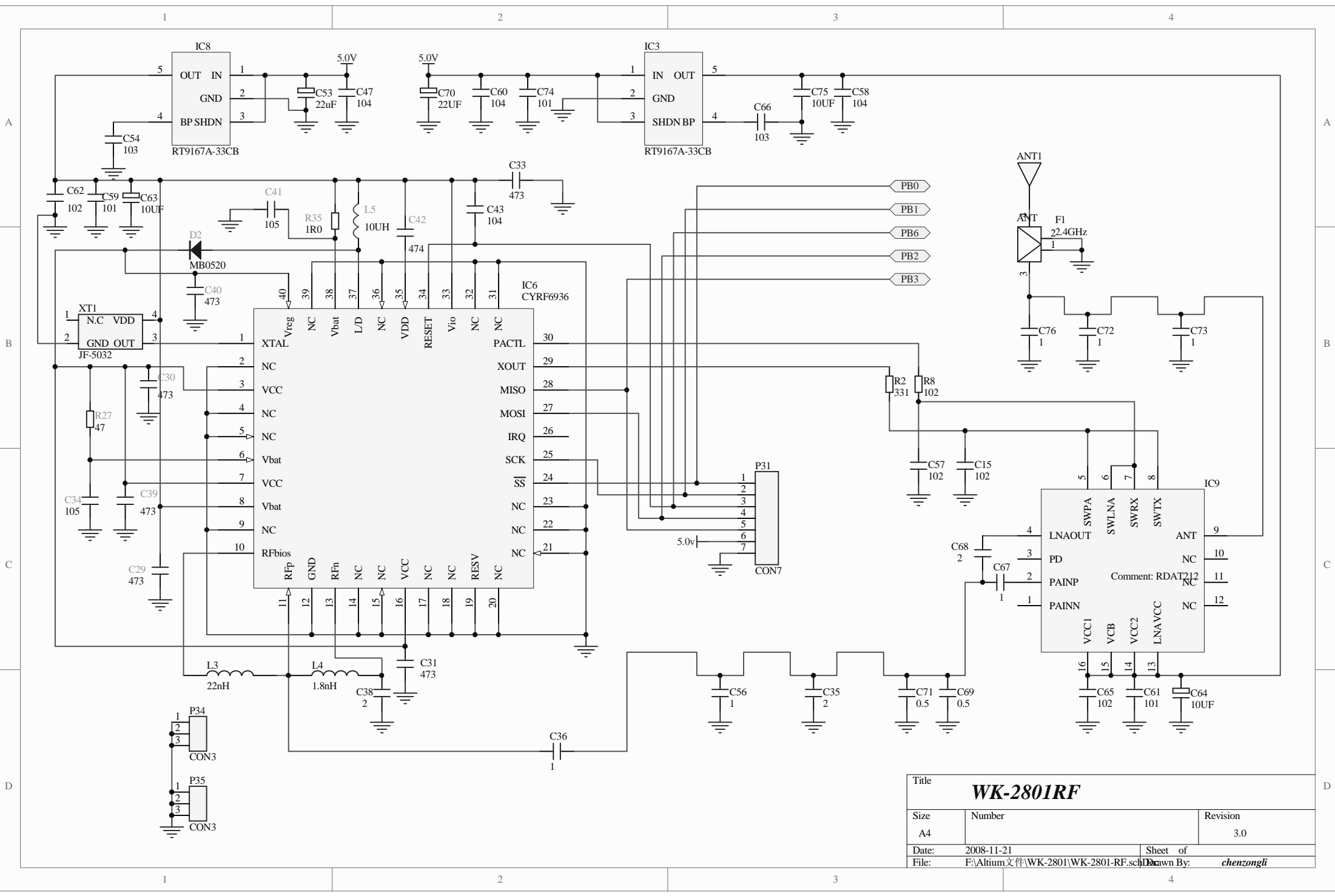
A
B
C
D



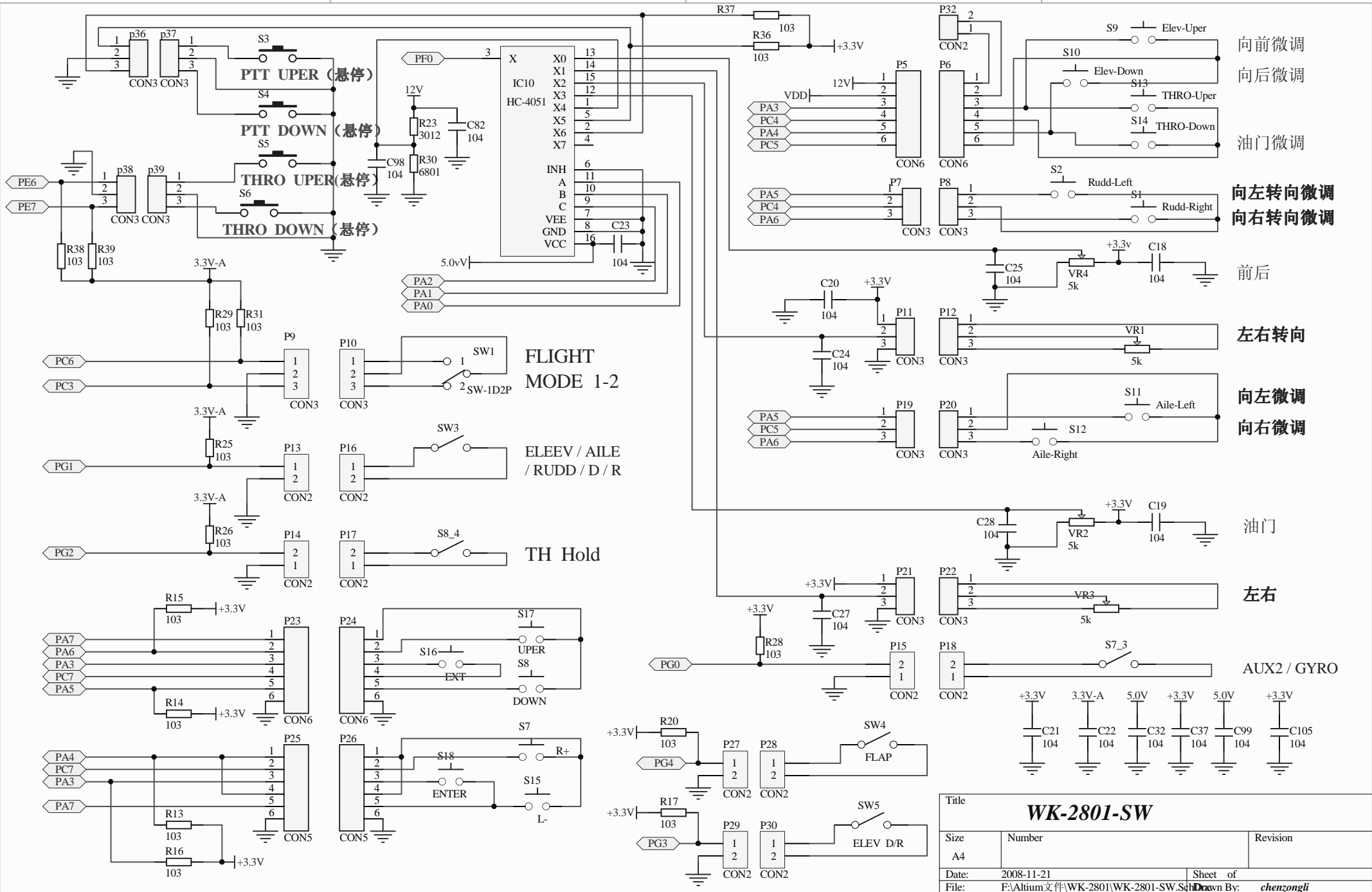
Title		
WK-2801-CPU/Power supply		
Size	Number	Revision
A4		
Date:	2008-11-21	Sheet of
File:	F:\Altium文件\WK-2801-CPU.SchDoc	Drawn By:



Title		
WK-2801-POWER		
Size	Number	Revision
A4		
Date:	2008-11-21	Sheet of
File:	F:\Altium文件\WK-2801-POWER.SchDoc Drawn By:	



Title			WK-2801RF		
Size	Number		Revision		
A4			3.0		
Date:	2008-11-21		Sheet of		
File:	F:\Altium文件\WK-2801\WK-2801-RF.sch		Drawn By:		chenzongli



向前微调
向后微调
油门微调

向左转向微调
向右转向微调

前后

左右转向

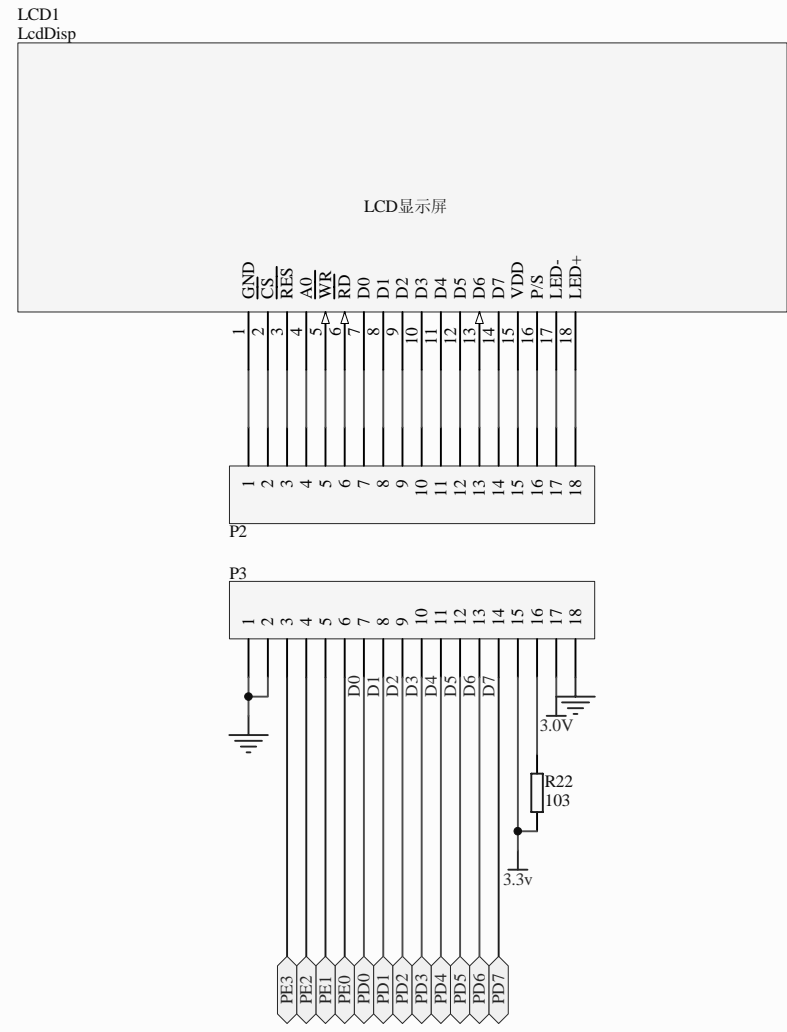
向左微调
向右微调

油门

左右

AUX2 / GYRO

Title		
WK-2801-SW		
Size	Number	Revision
A4		
Date:	2008-11-21	Sheet of
File:	F:\Altium文件\WK-2801\WK-2801-SW.SchDoc	
	Drawn By:	chenzongli



Title		
WK-2801-LCD		
Size	Number	Revision
A4		
Date:	2008-11-21	Sheet of
File:	C:\Documents and Settings\...\WK-2801-LCD.dwg By:	