

FRONT-RUNNERS™

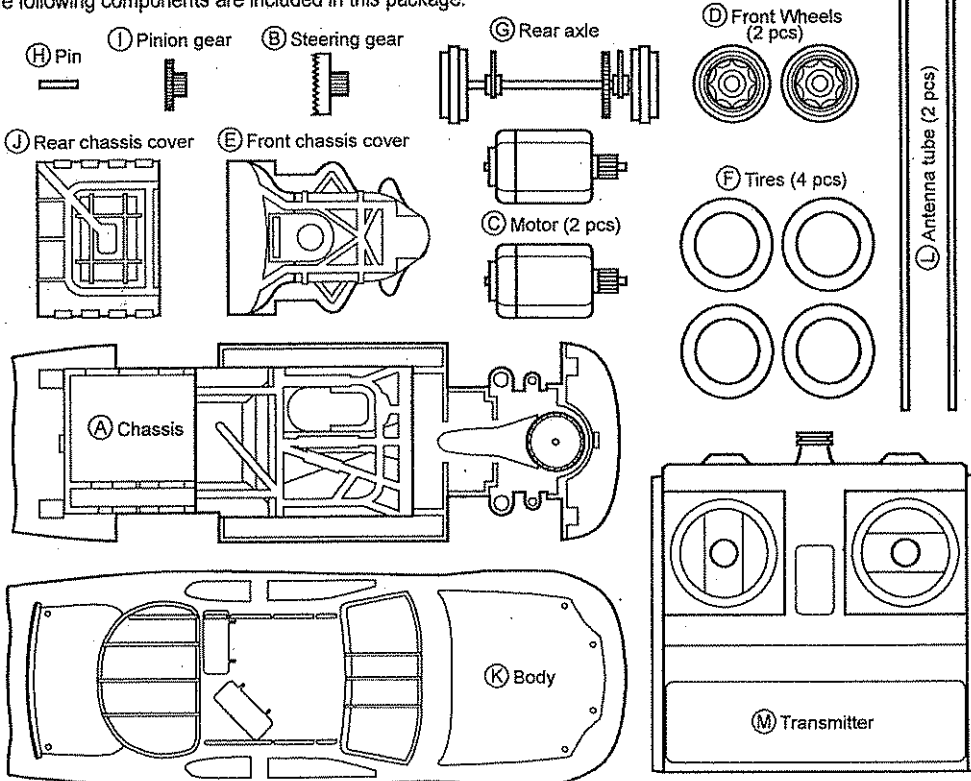
**1:32 SCALE
RADIO CONTROL KIT**

ATTENTION PARENTS: This product is recommended for ages 8 and up. It is also recommended that this toy and all accessories be periodically examined for potential hazards and that any potentially hazardous parts be repaired or replaced. Please read carefully before operating your vehicle. Use under the direct supervision of an adult. Keep the display box and this manual for future reference as they contain important information.

Requires (1) 9V battery and (2) AA batteries (not included)

CONTENTS

The following components are included in this package:

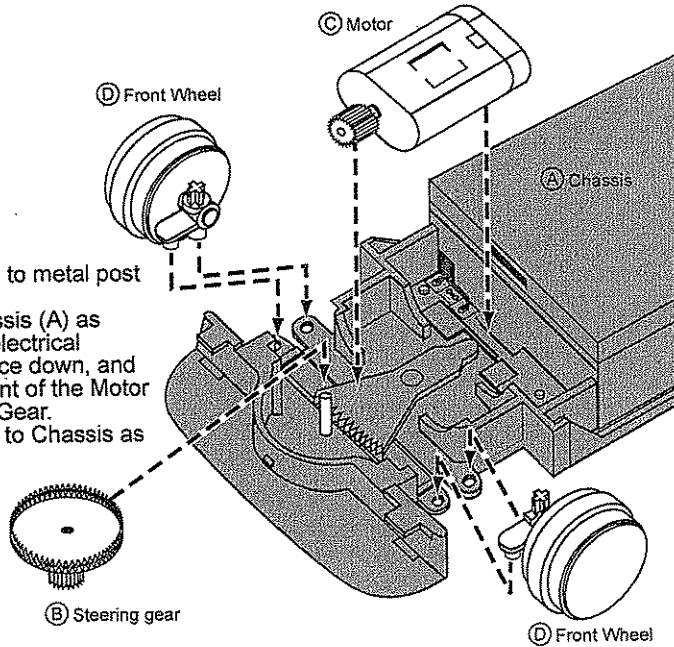


If you are missing a component, please call 1-800-728-7940 for a replacement.

BUILD IT

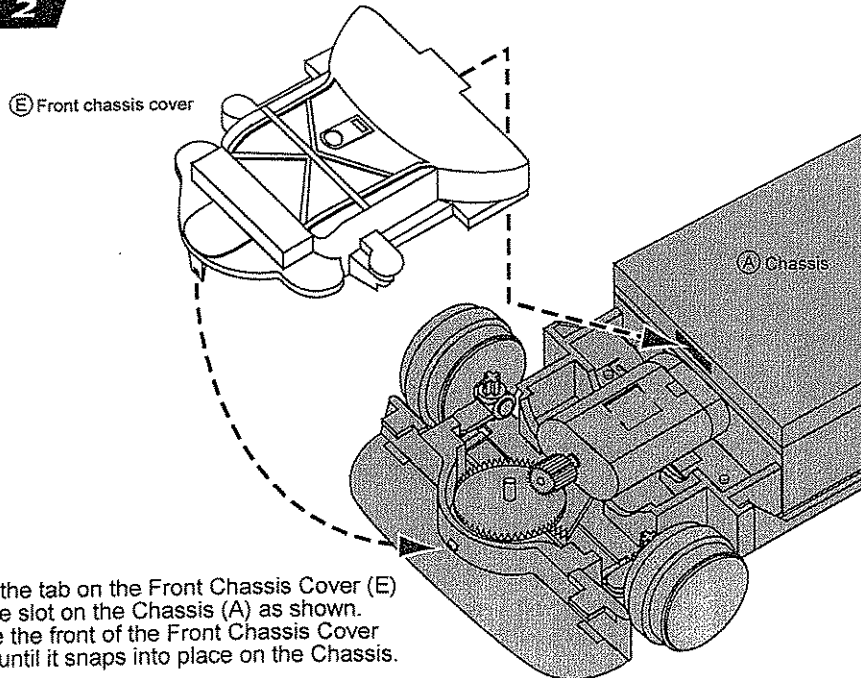
STEP 1

- 1.1) Mount Steering Gear (B) to metal post on Chassis (A).
- 1.2) Place Motor (C) on Chassis (A) as shown. Make sure the electrical contacts on the Motor face down, and the small gear on the front of the Motor aligns with the Steering Gear.
- 1.3) Attach Front Wheels (D) to Chassis as shown.



STEP 2

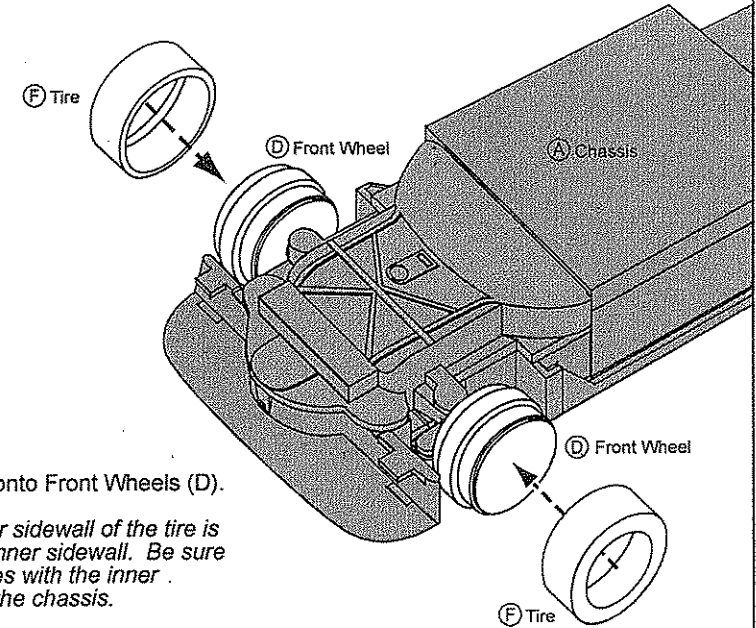
- 2.1) Insert the tab on the Front Chassis Cover (E) into the slot on the Chassis (A) as shown.
- 2.2) Rotate the front of the Front Chassis Cover down until it snaps into place on the Chassis.



STEP 3

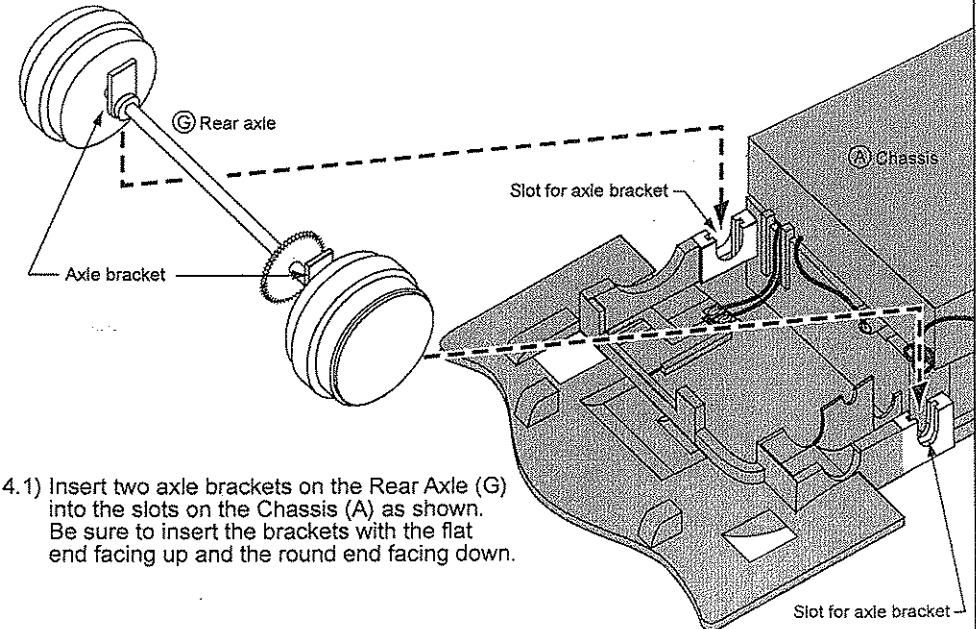
- 3.1) Mount Tires (F) onto Front Wheels (D).

**Note: The outer sidewall of the tire is wider than the inner sidewall. Be sure to mount the tires with the inner sidewall facing the chassis.*

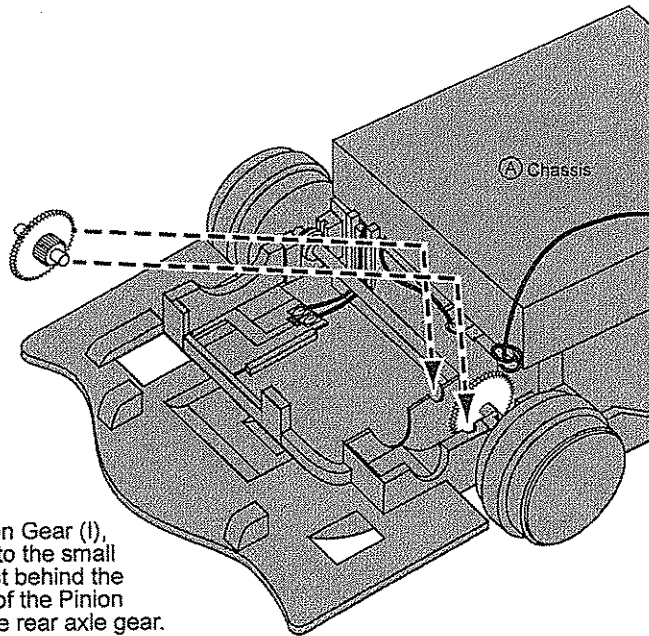
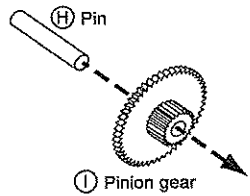


STEP 4

- 4.1) Insert two axle brackets on the Rear Axle (G) into the slots on the Chassis (A) as shown. Be sure to insert the brackets with the flat end facing up and the round end facing down.

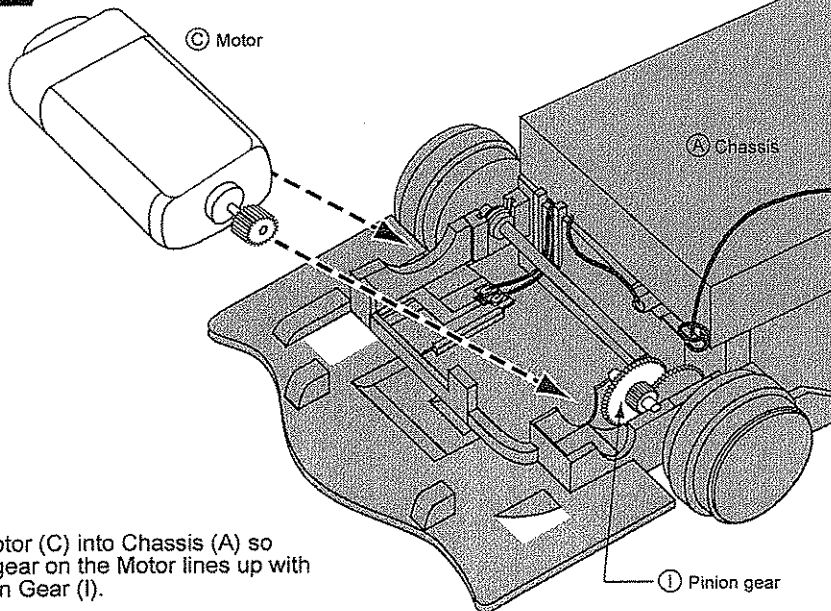


STEP 5



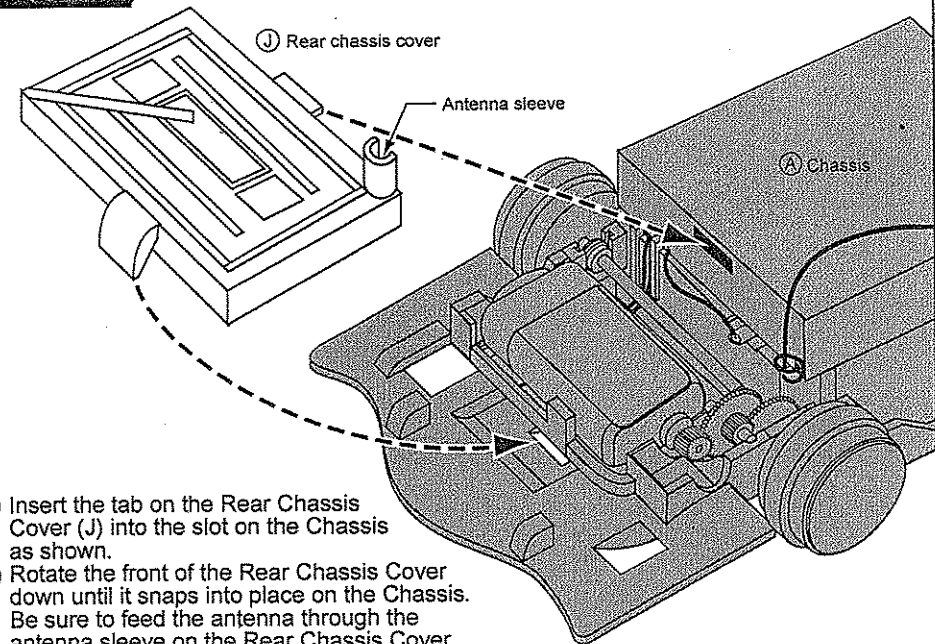
- 5.1) Insert Pin (H) through Pinion Gear (I), then place the assembly into the small slots in the Chassis (A), just behind the Rear Axle. The small end of the Pinion Gear should line up with the rear axle gear.

STEP 6



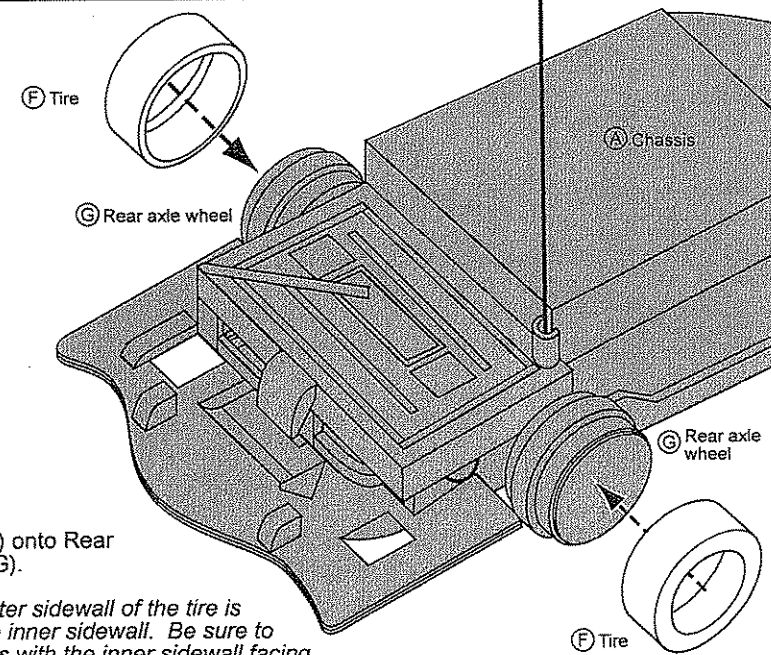
- 6.1) Insert Motor (C) into Chassis (A) so that the gear on the Motor lines up with the Pinion Gear (I).

STEP 7



- 7.1) Insert the tab on the Rear Chassis Cover (J) into the slot on the Chassis as shown.
7.2) Rotate the front of the Rear Chassis Cover down until it snaps into place on the Chassis. Be sure to feed the antenna through the antenna sleeve on the Rear Chassis Cover.

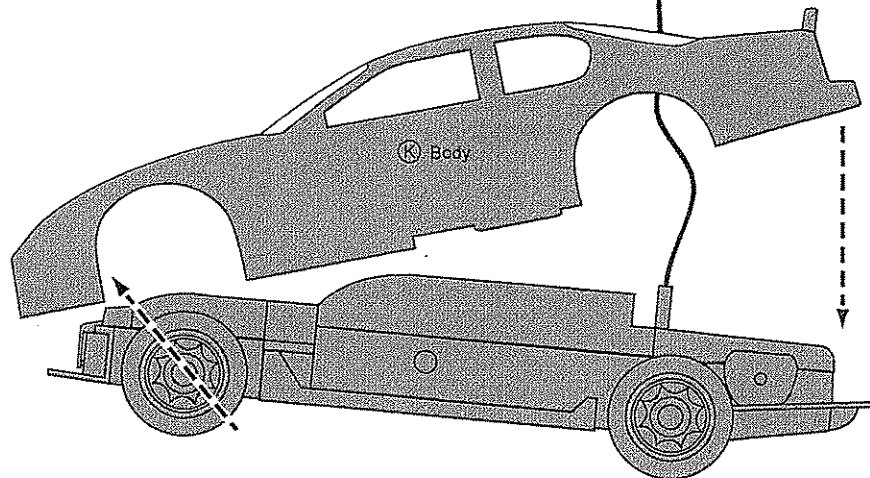
STEP 8



- 8.1) Mount Tires (F) onto Rear Axle Wheels (G).

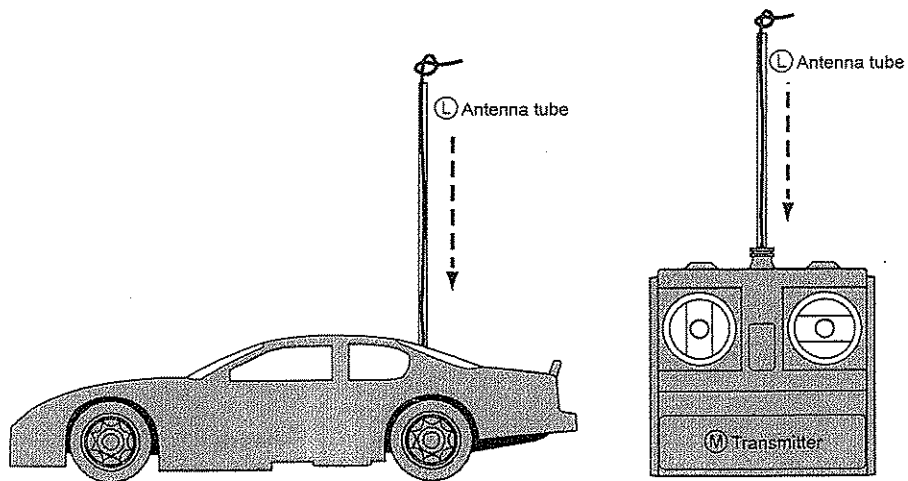
**Note: The outer sidewall of the tire is wider than the inner sidewall. Be sure to mount the tires with the inner sidewall facing the chassis.*

STEP 9



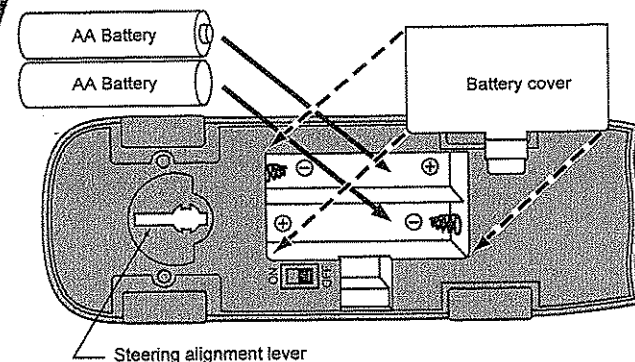
- 9.1) Feed the antenna wire through the hole in the rear window of the Car Body (K). Insert the front of the Chassis (A) into the front of the Body, making sure the bracket on the inside of the Body fits into the clips of the front of the Chassis.
- 9.2) Rotate the back of the Body down onto the Chassis until it snaps into place.

STEP 10

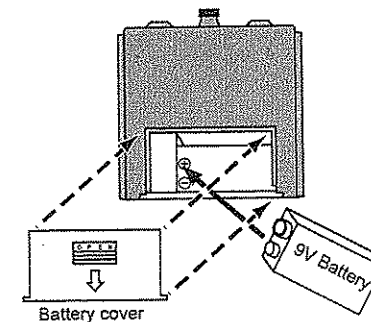


- 10.1) Feed the antenna wire through the Antenna Tube (L) and tie a loose knot in the end of the antenna wire.
- 10.2) Repeat the process for the Transmitter (M).

STEP 11



- 11.1) Remove the battery cover on the bottom of the Chassis.
- 11.2) Install 2 AA batteries using the correct polarity and replace the battery cover.
- 11.3) Remove the battery cover on the back of the transmitter.
- 11.4) Install 1 9V battery using the correct polarity and replace the battery cover.

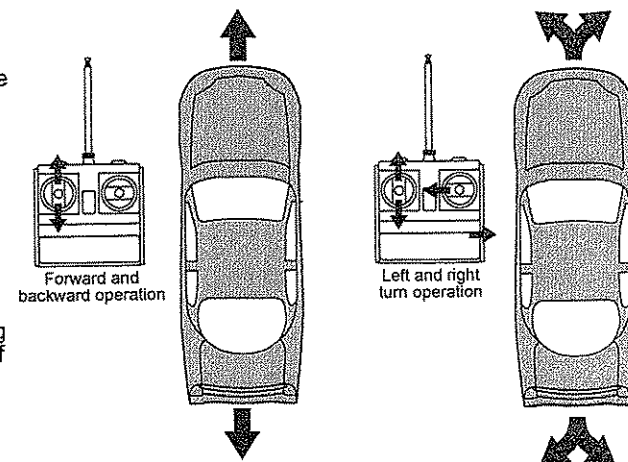


DRIVE IT

- 1) Place car on smooth, flat surface and extend transmitter antenna fully.
- 2) To move car forward and backward in a straight line, move the left lever up and down.
- 3) To turn left or right while moving forward, move the right lever side to side while holding the left lever up.
- 4) To turn left or right while moving backward, move the right lever side to side while holding the left lever down.

NOTE: For maximum performance, hold the transmitter upright so the antenna points up (do not point the antenna at the car- this will reduce the signal range).

- 5) Adjust the steering alignment lever located on the bottom of the car if the car does not run straight when moving forward (refer to drawing in Step 11 for location of steering alignment lever).



BATTERY PRECAUTIONS

- Batteries should be inserted with the correct polarity.
- Do not short circuit battery contacts.
- Do not mix old and new batteries.
- Do not mix alkaline, standard (carbon-zinc) or rechargeable (nickel-cadmium) batteries.
- Remove batteries if vehicle will not be used for a long period.
- Check the batteries regularly for leakage.
- Exhausted batteries should be removed from the vehicle and/or transmitter.
- Do not dispose batteries in a fire - batteries may leak or explode.
- Use only the recommended batteries or batteries of equal quality/type.
- Do not recharge non-rechargeable batteries.
- Rechargeable "AA" batteries must be removed from the vehicle before recharging.
- Do not recharge batteries that show wear or leakage.
- Do not recharge in high temperatures or bring the batteries near a flame.
- Rechargeable batteries should always be charged under adult supervision.

SAFETY

- Do not operate during thunderstorms.
- Avoid water, sand, and snow when operating your vehicle. In addition, do not submerge your vehicle or controller in water.
- Never operate your vehicle on the street or highway.
- Never operate your vehicle in a confined or crowded area, and do not use people or animals as obstacles.
- Do not run your vehicle into furniture, objects or hard surfaces, as this will cause damage to both the objects and the vehicle.
- Keep fingers, hair, and loose clothing away from the tires, gears, and motor while the vehicle is switched ON.
- Do not pick up the vehicle when it's moving.
- Do not leave vehicle or controller near sources of heat or under direct sunlight for long periods of time.
- Do not leave vehicle or controller outside overnight- dampness is harmful to interior components.
- Remove all batteries when not in use to avoid accidental operation.
- Adult supervision is recommended when operating this vehicle.
- Not suitable for children under 6 years of age.

FCC NOTES

NOTE: This equipment has been tested and found to comply with the limits for a Class B digital device, pursuant to Part 15 of the FCC Rules. These limits are designed to provide reasonable protection against harmful interference in a residential installation. This equipment generates, uses and can radiate radio frequency energy and, if not installed and used in accordance with the instructions, may cause harmful interference to radio communications. However, there is no guarantee that interference will not occur in a particular installation. If this equipment does cause harmful interference to radio or television reception, which can be determined by turning the equipment off and on, the user is encouraged to try to correct the interference by one or more of the following measures:

- Reorient or relocate the receiving antenna
- Increase the separation between the equipment and receiver
- Connect the equipment into an outlet on a circuit different from that to which the receiver is connected
- Consult the dealer or an experienced radio/TV technician for help

This device complies with part 15 of the FCC Rules. Operation is subject to the following two conditions:

1. This device may not cause harmful interference, and
2. This device must accept any interference received, including interference that may cause undesired operation.

CAUTION: Any changes or modifications not expressly approved by the party responsible for compliance could void the user's authority to operate the equipment.

Questions or problems?
BEFORE RETURNING TO STORE,
call our toll free help line at **1-800-728-7940**
for information and assistance
Monday - Thursday 8:30AM - 5:30PM
Friday 8:30AM - 3:00 PM (EST)

Manufactured under license by:
TEAM UP INTERNATIONAL, INC.
4545 Enka Highway
Morristown, TN 37813
423-585-5300
www.teamup-usa.com

MADE AND PRINTED IN CHINA