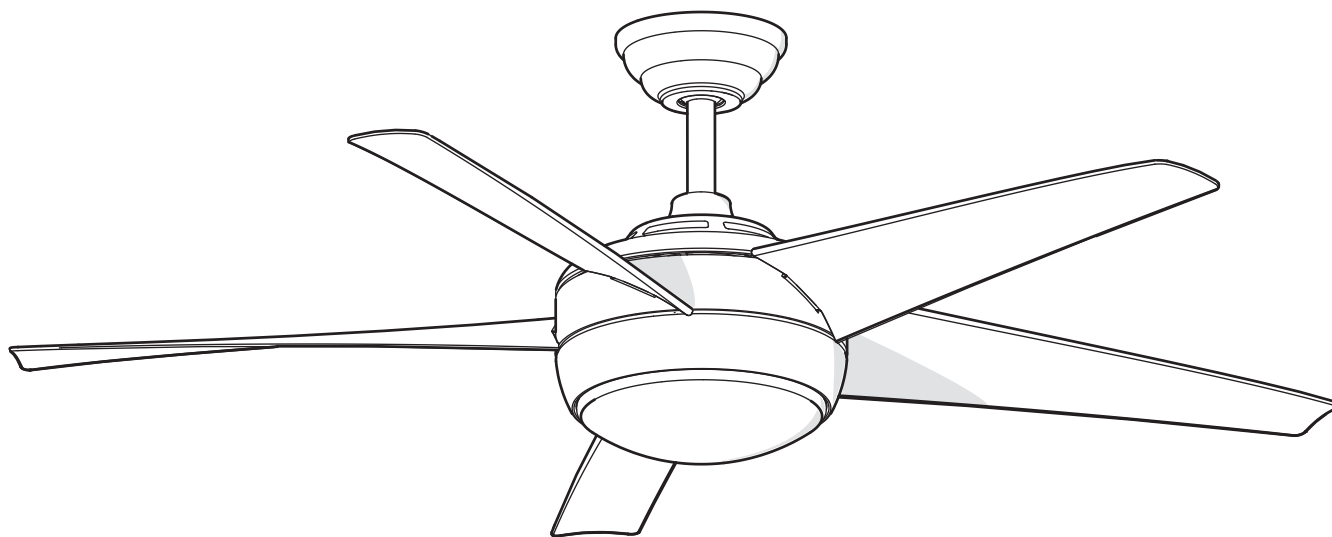


## **USE AND CARE GUIDE**

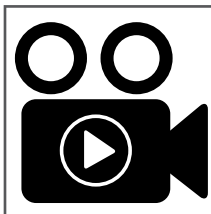
### **WINDWARD IV 52-INCH CEILING FAN**



Questions, problems, missing parts? Before returning to the store,  
call Home Decorators Collection Customer Service  
8 a.m. - 6 p.m., EST, Monday-Friday.

1-800-986-3460

[HOMEDEPOT.COM/HOMEDECORATORS](http://HOMEDEPOT.COM/HOMEDECORATORS)



To view an instructional video on how to install this product:

1. Go to [www.homedepot.com](http://www.homedepot.com) and enter either the Item or Model number, found in the top right corner of the cover of this instruction manual, in the search field.
2. Click on your product from the list of search results and click on the video link in the "Product Overview" section.

#### **THANK YOU**

*We appreciate the trust and confidence you have placed in Home Decorators Collection through the purchase of this ceiling fan. We strive to continually create quality products designed to enhance your home. Visit us online to see our full line of products available for your home improvement needs. Thank you for choosing Home Decorators Collection!*

# Table of Contents

Table of Contents .....	2	Assembly .....	7
Safety Information .....	2	Operation .....	14
Warranty .....	3	Care and Cleaning .....	15
Pre-Installation .....	3	Troubleshooting .....	15
Installation.....	6		

# Safety Information

## READ AND SAVE THESE INSTRUCTIONS.

1. To reduce the risk of electric shock, ensure the electricity has been turned off at the circuit breaker or fuse box before you begin.
2. All wiring must be in accordance with the National Electrical Code ANSI/NFPA 70 and local electrical codes. Electrical installation should be performed by a qualified licensed electrician.
3. The outlet box and support structure must be securely mounted and capable of reliably supporting 35 lbs. (15.9 kg). Use only UL Listed outlet boxes marked "Acceptable for Fan Support of 35 lbs. (15.9 kg) or less."
4. The fan must be mounted with a minimum of 7 ft (2.1 m) clearance from the trailing edge of the blades to the floor.
5. Do not operate the reversing switch while the fan blades are in motion. You must turn the fan off and stop the blades before you reverse the blade direction.
6. Do not place objects in the path of the blades.
7. Electrical diagrams are for reference only. Light kits that are not packed with the fan must be UL-listed and marked suitable for use with the model fan you are installing. Switches must be UL General Use Switches. Refer to the instructions packaged with the light kits and switches for proper assembly.
8. After making electrical connections, spliced conductors should be turned upward and pushed carefully up into the outlet box. The wires should be spread apart with the grounded conductor and the equipment-grounding conductor on one side of the outlet box.
9. All setscrews must be checked and retightened where necessary before installation.



**WARNING:** To reduce the risk of personal injury, do not bend the blade brackets (also referred to as flanges) during assembly or after installation. Do not insert objects in the path of the blades.



**WARNING:** To reduce the risk of fire, electric shock or personal injury, mount to outlet box marked "acceptable for fan support of 35lbs. (15.9 Kg) or less" and use screws provided with the outlet box.



**WARNING:** To reduce the risk of fire or electric shock, do not use this fan with any solid-state speed control device.



**WARNING:** To avoid possible electrical shock, turn the electricity off at the main fuse box before wiring. If you feel you do not have enough electrical wiring knowledge or experience, contact a licensed electrician.



**WARNING:** Electrical diagrams are for reference only. Optional use of any light kit shall be UL-listed and marked suitable for use with this fan.



**WARNING:** To reduce the risk of fire or electric shock, this fan should only be used with fan speed control part no. AP-3RD L manufactured by Dawsun Electronic Co., LTD.



**CAUTION:** To reduce the risk of personal injury, use only the screws provided with the outlet box.



**CAUTION:** To avoid personal injury or damage to the fan and other items, use caution when working around or cleaning the fan.



**CAUTION:** Changes or modifications not expressly approved by the party responsible for compliance could void the user's authority to operate the equipment.

# Warranty

The supplier warrants the fan motor to be free from defects in workmanship and material present at time of shipment from the factory for a lifetime after the date of purchase by the original purchaser. The supplier also warrants that all other fan parts, excluding any glass or acrylic blades, to be free from defects in workmanship and material at the time of shipment from the factory for a period of two years after the date of purchase by the original purchaser. We agree to correct such defects without charge or at our option replace with a comparable or superior model if the product is returned. To obtain warranty service, you must present a copy of the receipt as proof of purchase. All costs of removing and reinstalling the product are your responsibility. Damage to any part such as by accident, misuse, improper installation, or by affixing any accessories, is not covered by this warranty. Because of varying climatic conditions this warranty does not cover any changes in brass finish, including rusting, pitting, corroding, tarnishing, or peeling. Brass finishes of this type give their longest useful life when protected from varying weather conditions. A certain amount of "wobble" is normal and should not be considered a defect. Servicing performed by unauthorized persons shall render the warranty invalid. There is no other express warranty. Home Decorators Collection hereby disclaims any and all warranties, including but not limited to those of merchantability and fitness for a particular purpose to the extent permitted by law. The duration of any implied warranty which cannot be disclaimed is limited to the time period as specified in the express warranty. Some states do not allow a limitation on how long an implied warranty lasts, so the above limitation may not apply to you. The retailer shall not be liable for incidental, consequential, or special damages arising out of or in connection with product use or performance except as may otherwise be accorded by law. Some states do not allow the exclusion of incidental or consequential damages, so the above exclusion or limitation may not apply to you. This warranty gives specific legal rights, and you may also have other rights which vary from state to state. This warranty supersedes all prior warranties. Shipping costs for any return of product as part of a claim on the warranty must be paid by the customer.

Contact the Customer Service Team at 1-800-986-3460 or visit [www.HomeDepot.com/homedecorators](http://www.HomeDepot.com/homedecorators).

# Pre-Installation

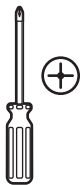
## SPECIFICATIONS

Size	Speed	Volts	Airflow CFM	Fan Power Consumption (Without Lights) WATT	Airflow Efficiency (Higher Is Better) CFM/WATT	Net Weight	Gross Weight	Cube Feet
52 in.	Low	120	2333	13	179	20.29 lbs (9.2 kgs)	23.15 lbs (10.5 kgs)	1.7 ft.
	Medium		4283	31	138			
	High		6052	57	106			



**NOTE:** These are approximate measures. They do not include the Amps and Wattage used by the light kit.

## TOOLS REQUIRED



Phillips screwdriver



Flat blade screwdriver



Adjustable wrench



Electrical tape



Wire cutter



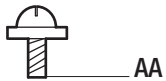
Step ladder

# Pre-Installation (continued)

## HARDWARE INCLUDED



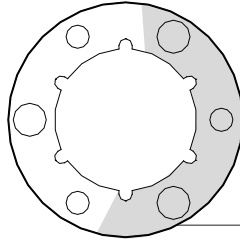
NOTE: Hardware not shown to actual size.



AA



BB

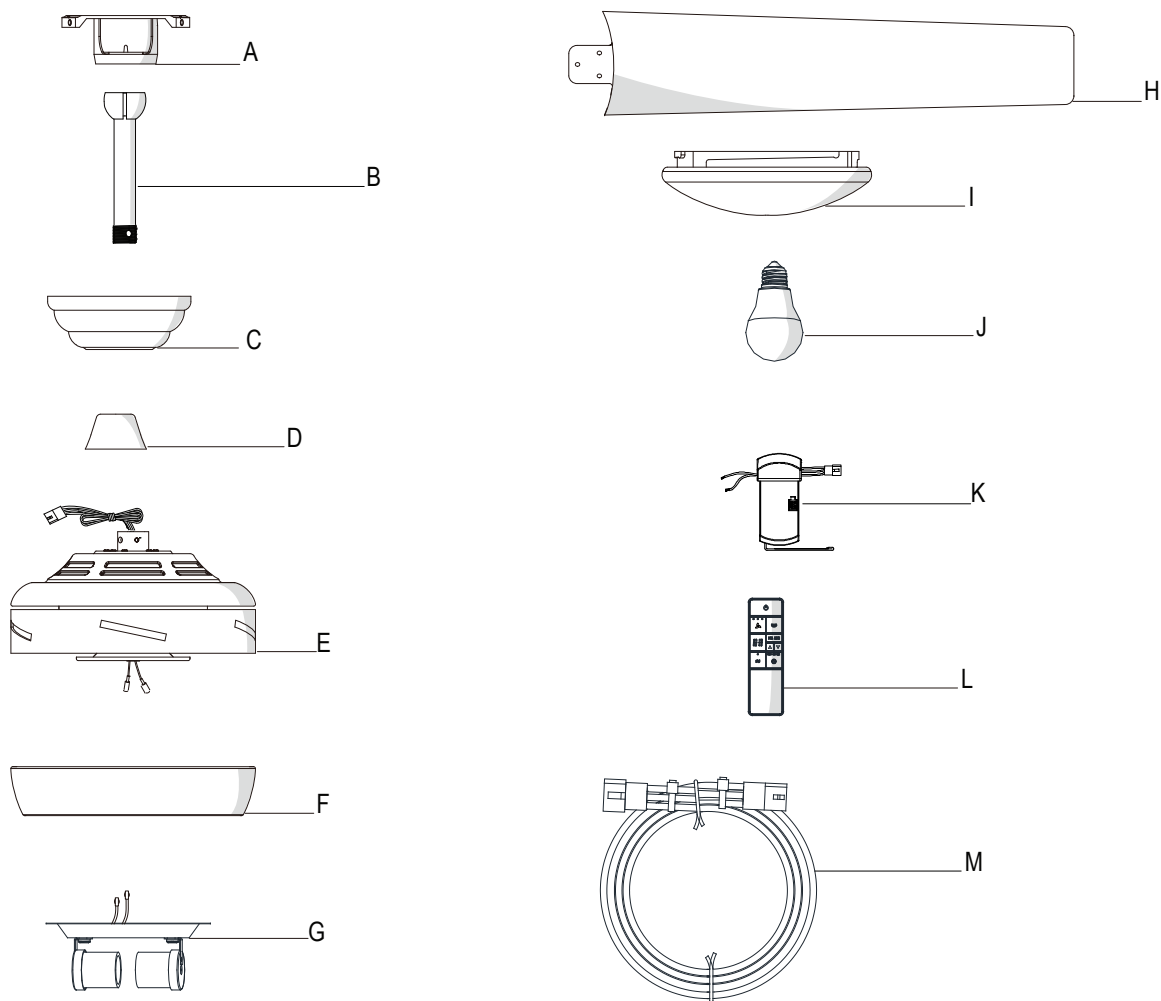


CC

Part	Description	Quantity
AA	Blade attachment screws	16
BB	Wire connecting nut	3
CC	Rubber Gasket	1

# Pre-Installation (continued)

## PACKAGE CONTENTS



Part	Description	Quantity
A	Slide-on mounting bracket (inside canopy)	1
B	Ball/downrod assembly	1
C	Canopy with canopy ring attached	1
D	Decorative motor collar cover	1
E	Fan-motor assembly	1
F	Light kit pan	1
G	Light kit fitter assembly	1

Part	Description	Quantity
H	Blade	5
I	Glass bowl	1
J	LED bulbs (9.5 Watt, max.)	2
K	Receiver	1
L	Remote (batteries included)	1
M	Extension lead wires	1



**IMPORTANT:** This product and/or components are governed by one or more of the following U.S. Patents: 5,947,436; 5,988,580; 6,010,110; 6,046,416; 6,210,117 and other patents pending.

# Installation

## MOUNTING OPTIONS

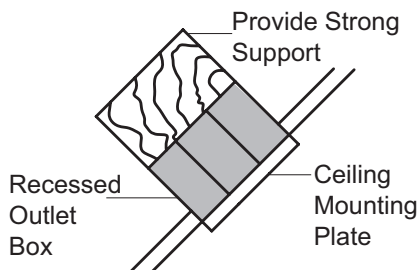
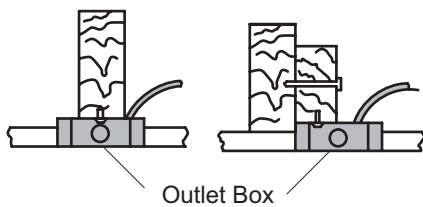
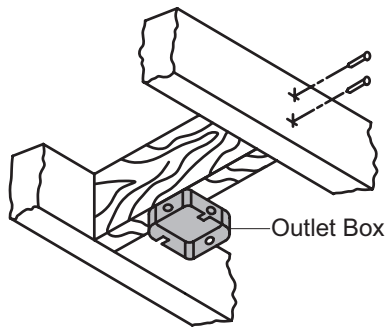


**WARNING:** To reduce the risk of fire, electric shock or personal injury, mount to outlet box marked “acceptable for fan support of 35lbs. (15.9 Kg) or less” using the screws provided with the outlet box. An outlet box commonly used for the support of lighting fixtures may not be acceptable for fan support and may need to be replaced. If in doubt, consult a qualified electrician.

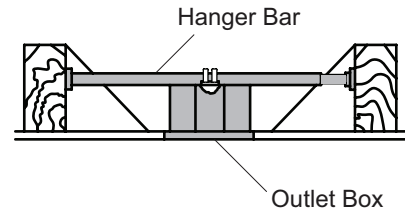
If your ceiling fan does not have an existing UL-listed mounting box, then install one using the following instructions:

- Disconnect the power by removing the fuses or turning off the circuit breakers.
- Secure the outlet box directly to the building structure. Use the appropriate fasteners and materials. The outlet box and its bracing must be able to fully support the weight of the moving fan (at least 35 lbs.). Do not use a plastic outlet box.

The illustrations below show three different ways to mount the outlet box.



**NOTE:** You may need a longer downrod to maintain proper blade clearance when installing on a steep, sloped ceiling. The maximum angle allowable is 30° away from horizontal.



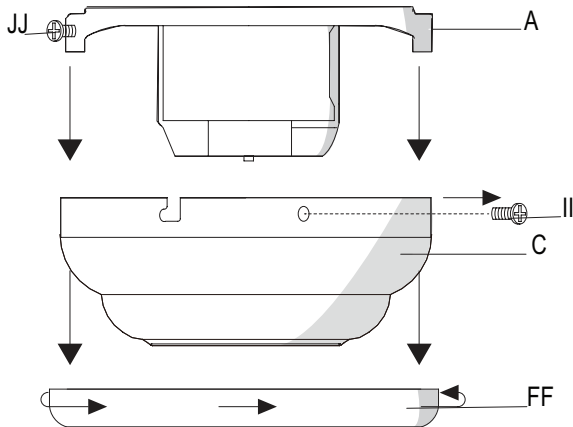
If the canopy touches the downrod, then remove the decorative canopy bottom cover, and turn the canopy 180° before attaching the canopy to the mounting plate.

To hang your fan where there is an existing fixture but no ceiling joist, you may need an installation hanger bar as shown above.

# Assembly - Standard Ceiling Mount

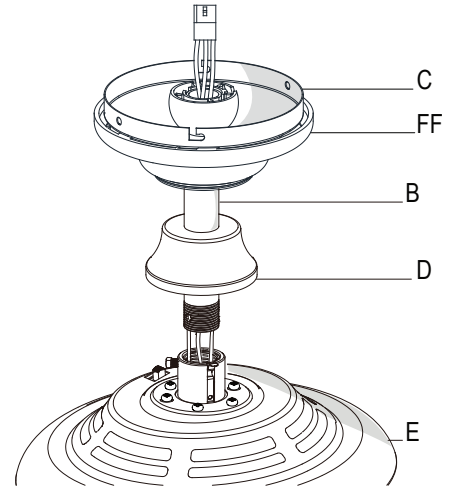
## 1 Preparing for mounting

- Remove the canopy ring (FF) from the canopy (C) by turning the ring counter-clockwise until it unlocks.
- Remove the mounting bracket (A) from the canopy (C) by loosening the two canopy screws (JJ) located in the “L shaped” slots.
- Remove and save the two canopy screws (II) in the round holes. This will enable you to remove the mounting bracket (A).



## 2 Routing the wires

- Route the wires exiting the top of the fan motor assembly (E) into the decorative motor collar cover (D) and through the canopy ring (FF).
- Make sure the slot openings are on top and route the wires through the canopy (C) and then through the ball/downrod assembly (B).



## 3 Assembling the fan

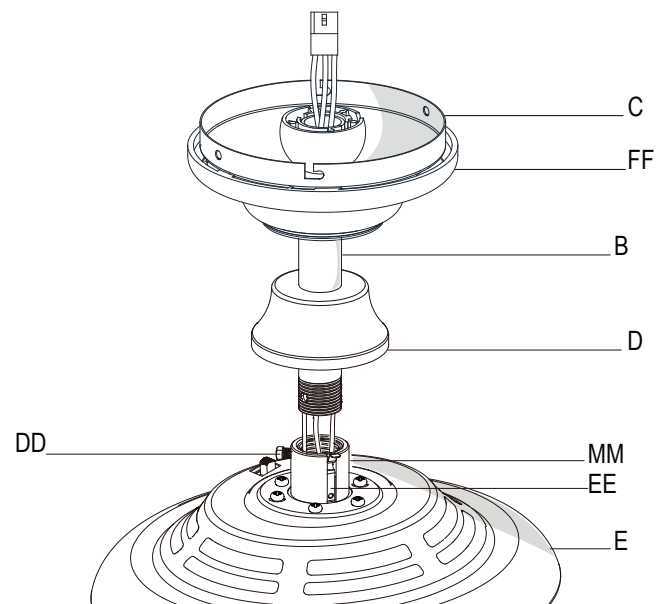


**CAUTION:** To ensure wobble-free operation and to avoid damage to the fan, the downrod (B) and the setscrew (DD) must be completely tightened



**NOTE:** This fan is equipped with a safety tab (EE). Should the setscrew (DD) ever become loose while the fan is running in reverse, the safety tab (EE) will engage and stop the fan from falling.

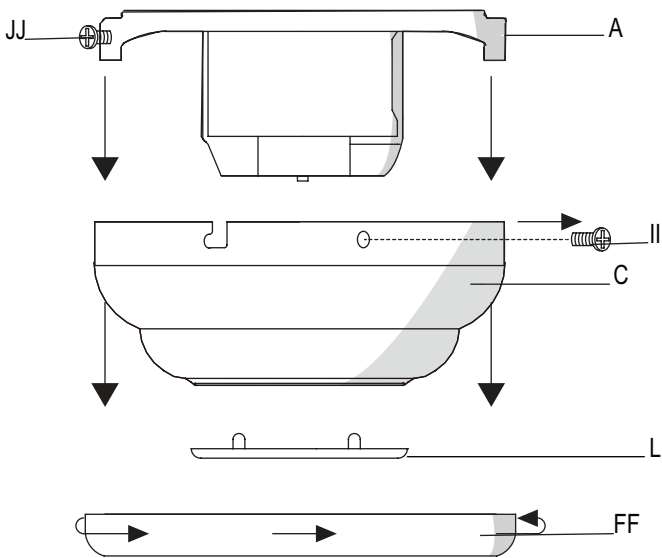
- Loosen, but do not remove the setscrew (DD) on the motor collar (MM) on top of the fan-motor assembly (E) by turning it counter clockwise.
- Install the downrod (B) by inserting it into the motor collar (MM), and turning it clockwise until it is tight.
- Re-tighten the setscrew (DD) on the motor collar (MM) on top of the fan-motor assembly (E) by turning it counterclockwise.



# Assembly - Close-To-Ceiling Mount

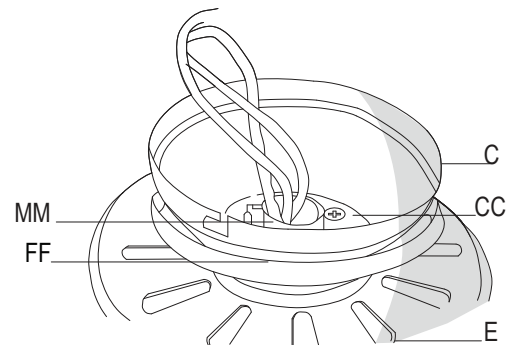
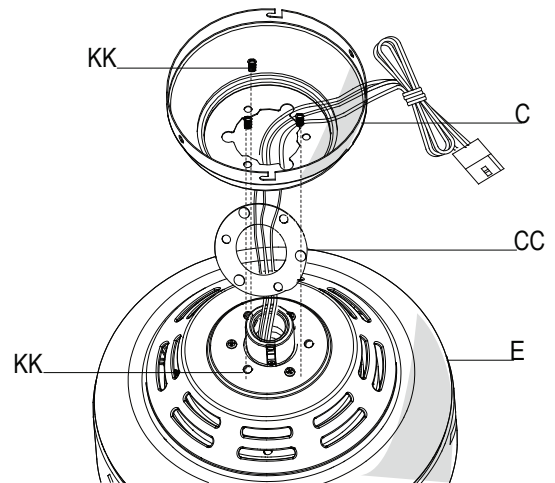
## 1 Close-to-Ceiling Mounting

- Remove the canopy ring (FF) from the canopy (C) by turning the ring counter-clockwise until it unlocks.
- Remove the mounting bracket (A) from the canopy (C) by loosening the two canopy screws (JJ) located in the “L shaped” slots.
- Remove and save the two canopy screws (II) in the round holes. This will enable you to remove the mounting bracket (A).
- Remove the decorative canopy bottom cover (L) from the canopy (C) by depressing the three studs.



## 2 Routing the wires

- Remove three of the six screws and lock washers (KK)(every other one) securing the motor collar to the top of the fan-motor assembly (E).
- Route the wires exiting the top of the fan-motor assembly (E) through the rubber gasket (CC) aligning the holes in the rubber gasket (CC) with the three screw holes in the fan-motor assembly (E).
- Route the wires exiting the top of the fan-motor assembly (E) through the canopy ring (FF), and the canopy (C) (make sure the slot openings for the canopy ring and canopy are on top). Place the canopy (C) over the collar (MM) at the top of the motor (E).
- Align the mounting holes in the canopy (C) with the screw holes in the motor (E) and fasten using the three screws and lock washers (KK) (removed previously). Tighten the mounting screws securely.





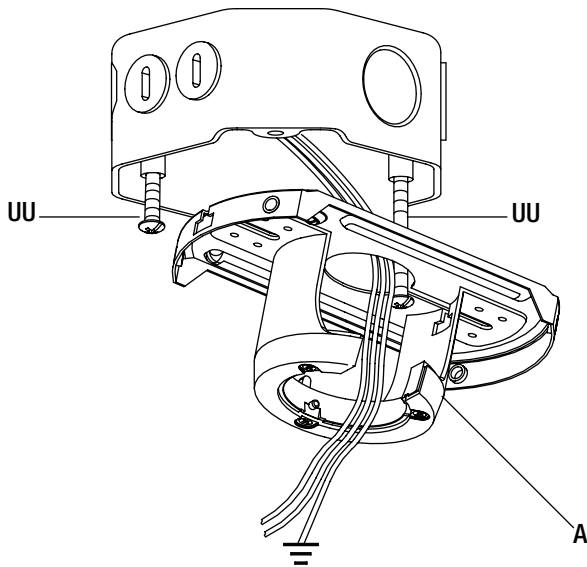
# Assembly - Hanging the Fan

## 3 Attaching the fan to the electrical box



**WARNING:** To reduce the risk of fire, electric shock or personal injury, mount to outlet box marked "acceptable for fan support of 35lbs. (15.9 Kg) or less" using the screws provided with the outlet box.

- Pass the 120-Volt supply wires through the center hole in the mounting bracket (A).
- Install the ceiling mounting bracket on the outlet box by sliding the mounting bracket (A) over the two screws (UU) provided with the outlet box. If necessary, use leveling washers (not included) between the mounting bracket (A) and the outlet box. Note that the flat side of the mounting bracket (A) is toward the outlet box. When using close-to-ceiling mounting, it is important that the mounting bracket be level.
- Securely tighten the two mounting screws (UU).



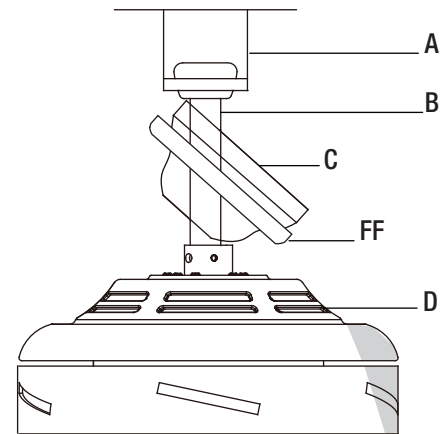
## 4 Hanging the fan



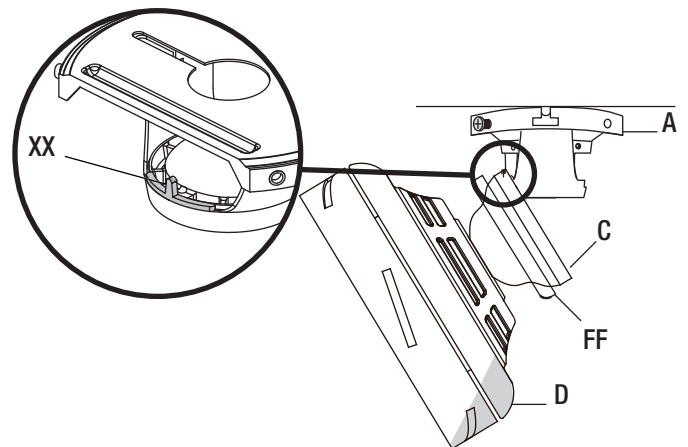
**WARNING:** The hook as shown is only to balance the fan while attaching wiring. Failure to hang as shown may result in hook breaking, causing the fan to fall. The hook must pass from inside to the outside of the canopy.

- Carefully lift the fan motor assembly (D) up to the mounting bracket (A).
- Seat the hanger ball portion of the ball/downrod assembly (B) in the mounting bracket socket. Ensure that the tab on the mounting bracket (A) socket is properly seated in the groove in the hanger ball. If using close-to-ceiling mounting, hang the fan on the hook provided by utilizing one of the holes at the outer rim of the ceiling canopy (C).

Standard mount.



Close to ceiling mount.



# Assembly - Hanging the Fan (continued)

## 5 Setting the remote control codes



**NOTE:** The frequencies on your receiver and hand unit have been preset at the factory. Before installing the receiver, make sure the dip switches on the receiver and hand unit are set to the same frequency. The dip switches on the hand unit are located inside the battery compartment.

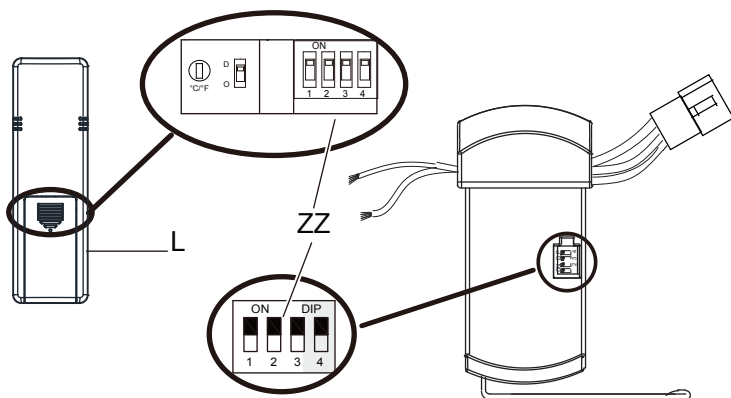


**NOTE:** The battery will weaken with age and should be replaced before leaking takes place as this will damage the hand unit. Dispose of the used battery properly and keep the battery out of the reach of children.



**NOTE:** It is imperative that the code used for both transmitter and receiver is exactly the same, otherwise remote controller will not work.

- Setting the Code on the Remote
- Remove the battery cover on the back of the remote control (L) by pressing firmly on the arrow and sliding the cover off.
- Slide the code switches to your choice of either up or down. The factory setting is up.
- From the factory, the remote displays °F, press the dip switch °C/°F to display °C.
- For fans with incandescent bulbs or dimmable LED bulbs, slide the dip switch O/D to the position marked "D", if you are not using incandescent bulbs or dimmable LED bulbs slide the dip switch to the "O" position.
- Install 2 AAA batteries (included).
- Replace the battery cover on the remote control (L).
- Setting the Code on the Receiver
- Slide the code switches on the receiver (K) to the same positions as set on the remote control (L).



## 6 Installing the receiver



**WARNING:** To reduce the risk of fire or electric shock, remember to disconnect power. The electrical wiring must meet all local and national electrical code requirements. The electrical source and fan must be 110/120 volt, 60Hz. Do not use this product in conjunction with any variable wall control. Incorrect wire connection can damage this receiver.

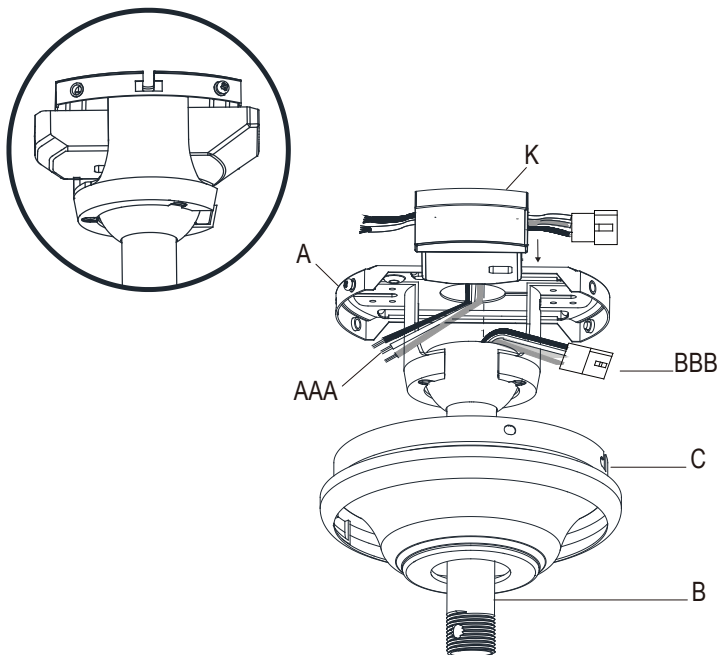


**CAUTION:** If other fan wires are a different color, have this unit installed by a licensed electrician.



**CAUTION:** Do not install the receiver in a damp location or immerse in water (For indoor use only). Do not pull on or cut the receiver leads shorter. Do not drop or bump the unit.

- Position the house supply wires (AAA) to one side of the slide-on mounting bracket (A); position the fan wires (BBB) to the opposite side.
- Insert the narrow end of the receiver (K) (as shown, flat side towards the ceiling) into the slide-on mounting bracket until it rests on top of the ball/downrod assembly.



# Assembly - Hanging the Fan (continued)

## 7 Wiring the receiver to the household wiring



**WARNING:** To avoid possible electrical shock, turn the electricity off at the main fuse box before wiring. If you feel you do not have enough electrical wiring knowledge or experience, contact a licensed electrician.

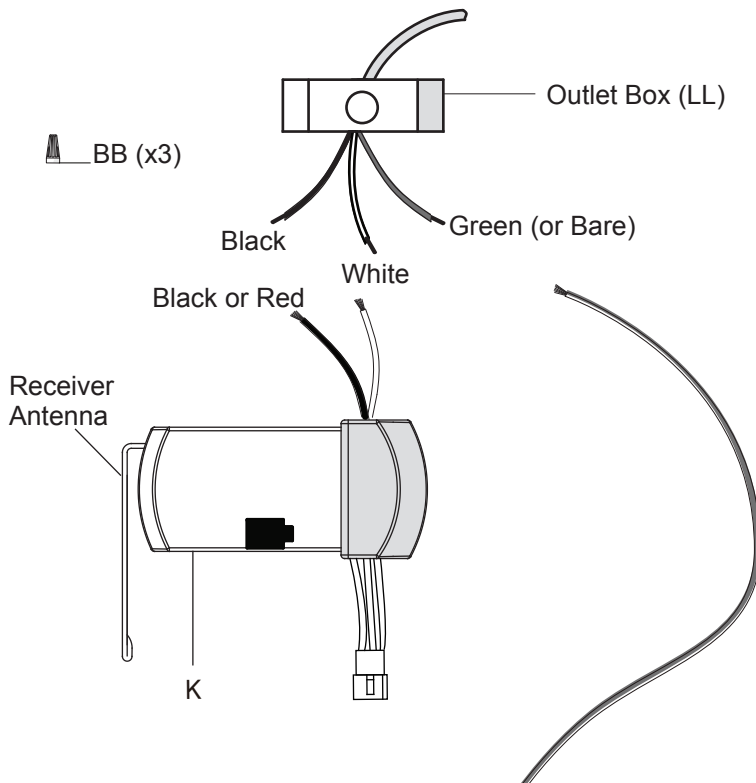


**WARNING:** Each wire nut supplied with this fan is designed to accept up to one 12-gauge house wire and two wires from the fan. If you have larger than 12-gauge house wiring or more than one house wire to connect to the fan wiring, consult an electrician for the proper size wire nuts to use.



**IMPORTANT:** Use the wire connecting nuts (BB) supplied with your fan. Secure the connectors with electrical tape and ensure there are no loose strands or connections.

- Spread the wires apart so that the green and white wires are on one side of the outlet box and the black wire is on the other side.
- Connect the green fan wires to the household ground wire (this may be a green or bare wire) using a wire connecting nut (BB).
- Connect the receiver black (or red) wire to the household black (hot) wire using a wire connecting nut (BB).
- Connect the receiver white wire to the household white wire (neutral) wire using a wire connecting nut (BB).
- Secure each wire connecting nut using electrical tape.

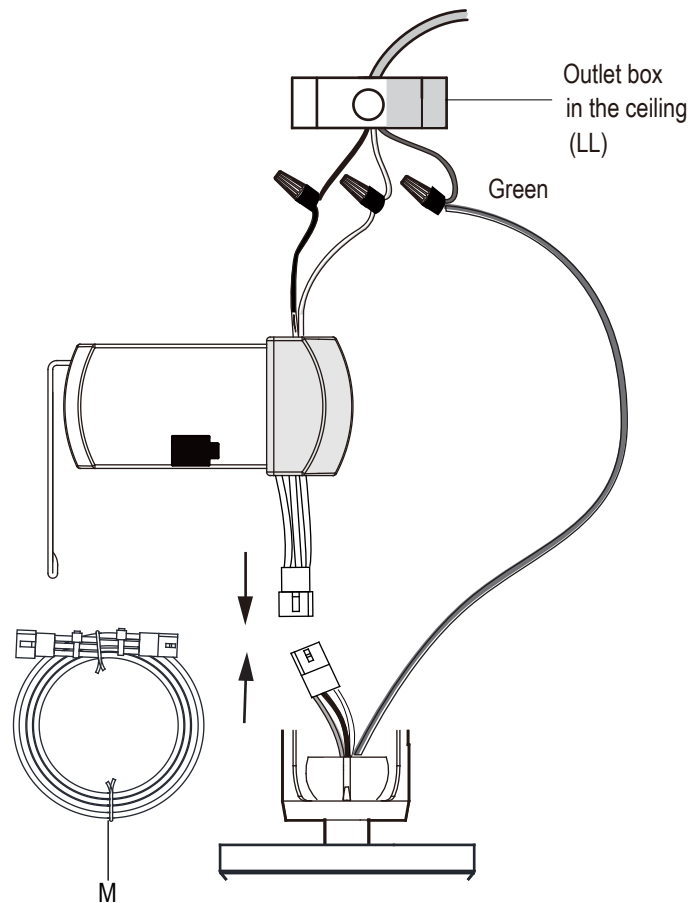


## 8 Wiring the receiver to the fan



**NOTE:** The fan comes with 12 in. lead wires for use with the provided 6 in. ball downrod assembly (B), if you wish to use longer downrod, you can use the extension lead wire (42 in.) (L) provided.

- If using the 6 in. ball downrod assembly (B) provided, wire the receiver to the fan wires by connecting the molded adaptor plug from receiver (K) with molded adaptor of the fan motor assembly (E) together.
- If you wish to use longer downrod, you can use the extension lead wire (42 in.) (L) provided by connecting the molded adaptor together.



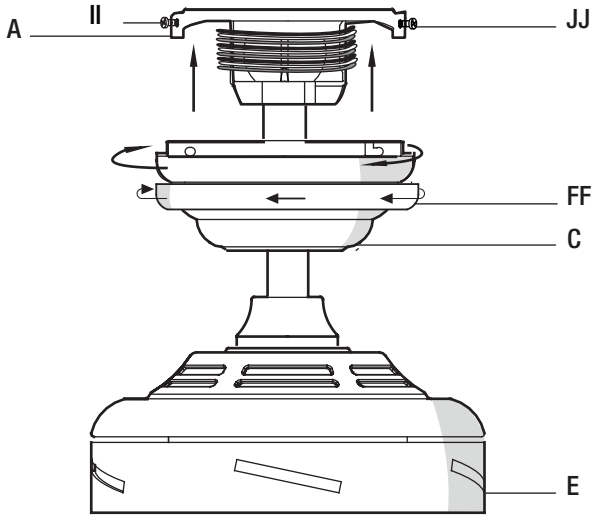
# Assembly - Hanging the Fan (continued)

## 9 Mounting the fan



**WARNING:** When using the standard ball/downrod mounting, the tab in the ring at the bottom of the mounting bracket must rest in the groove of the hanger ball. Failure to properly seat the tab in the groove could cause damage to the wiring.

- Align the locking slots of the ceiling canopy (C) with the two screws (JJ) in the mounting bracket (A). Push up to engage the slots and turn clockwise to lock in place.
- Firmly tighten the two mounting screws (JJ).
- Install the two mounting screws (II) (saved from Assembly Step 1 "Preparing for mounting") into the holes in the canopy (C) and tighten firmly.
- Install the decorative canopy ring (FF) by aligning the ring's slots with the screws in the canopy (C). Rotate the ring clockwise to lock in place.

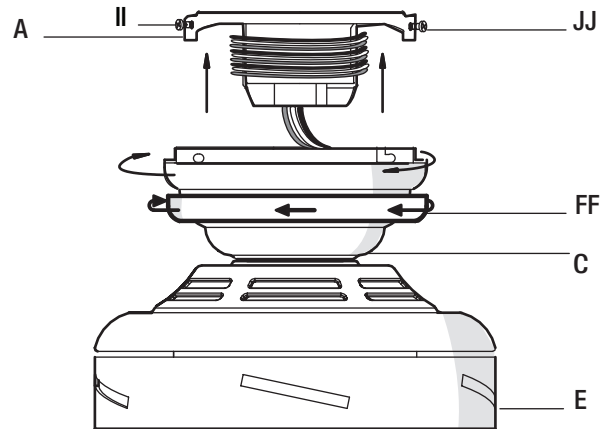


## 10 Close-to-Ceiling mounting



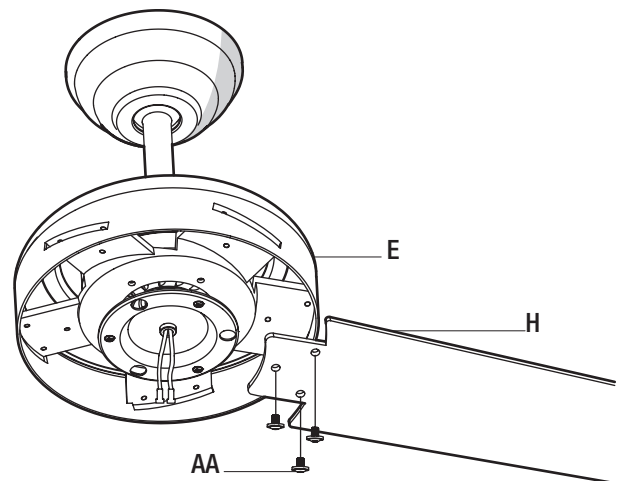
**WARNING:** The locking slots of the ceiling canopy are provided only as an aid to mounting. Do not leave the fan assembly unattended until all four canopy screws are engaged and firmly tightened.

- Carefully unhook the fan from the mounting bracket (A) and align the locking slots of the ceiling canopy (C) with the two screws in the mounting bracket (A). Push up to engage the slots and turn clockwise to lock the canopy (C) in place. Immediately tighten the two mounting screws (JJ) firmly.
- Install the remaining two mounting screws (II) into the holes in the canopy (C) and tighten firmly.
- Install the decorative canopy ring (FF) by aligning the ring's slots with the screws in the canopy (C). Rotate the ring clockwise to lock it in place.



## 11 Attaching the fan blades

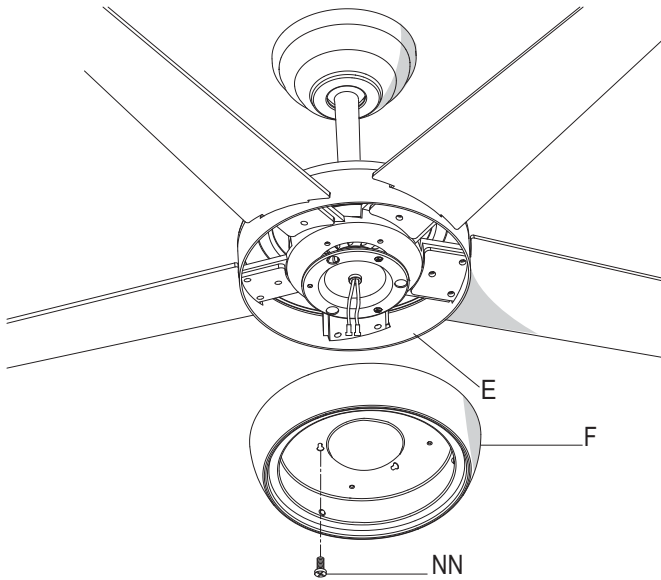
- Attach a blade (H) to the fan motor housing (E) by first inserting the blade (H) into the slot in the side of the fan motor housing (E).
- Insert a screw (AA) into the bracket. Repeat for the two remaining screws.
- Tighten each screw (AA) securely.
- Repeat these steps for the remaining blades (H).



# Assembly - Installing the Light Kit

## 1 Attaching the light kit pan

- Remove one screw (NN) from the black bracket below the fan motor assembly (E). Loosen, but do not remove the other two screws.
- Push the light kit pan (F) up to the fan motor assembly (E) so that the two loosened screw heads fit into the keyhole slots. Turn the light kit pan (F) to secure.
- Re-install the screw (NN) that was removed in step 1.
- Make sure all the screws are firmly tightened.

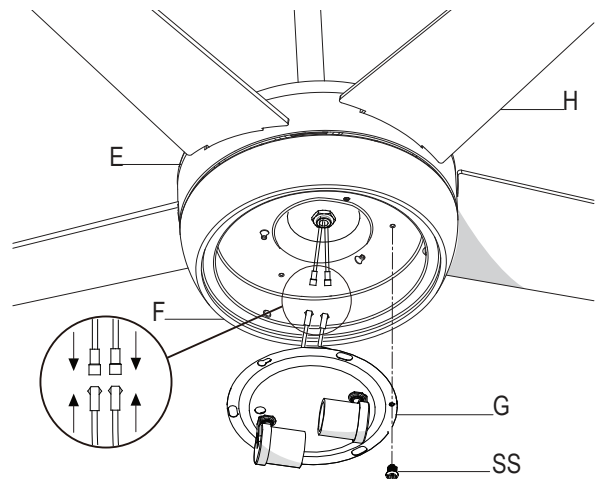


## 2 Attaching the light kit fitter assembly



**CAUTION:** To reduce the risk of electric shock, disconnect the electrical supply circuit to the fan before installing the light kit.

- Remove one screw (SS) from the light kit pan (F). Loosen, but do not remove the other two screws.
- Connect the blue wire exiting the bottom of the fan motor assembly (E) with the black wire from light kit fitter assembly (G).
- Connect the white wire exiting the bottom of the fan motor assembly (E) with the white wire from the light kit fitter assembly (G).
- Push the light kit fitter assembly (G) up to the light kit pan (F) so that the two loosened screw heads fit into the keyhole slots. Turn the light kit fitter assembly (G) to secure.
- Re-install the screw (SS) that was removed in step 1.
- Make sure all the screws are firmly tightened.

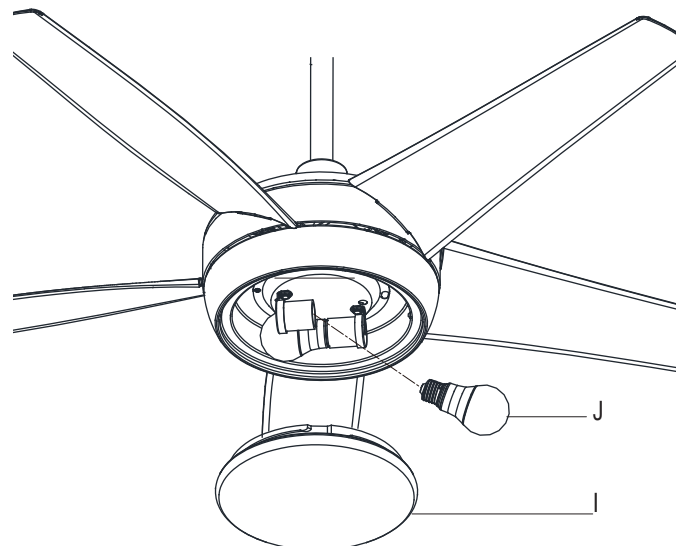


## 3 Installing the light bulbs and glass bowl



**WARNING:** Do not overtighten when installing the glass shade into the light kit assembly. Allow the glass shade to cool completely before removing.

- With the power off, install the two LED bulbs (J)(Max, 9.5W provided) into the light bulb sockets.
- Place the glass bowl(I) into the light kit pan (F), aligning the three flat areas on the top flange of the glass bowl (I) with the three raised dimples in the light kit pan (F). Turn the glass bowl (I) clockwise until it stops.



# Operation



**CAUTION:** This device complies with part 15 of the FCC rules. Changes or modifications not expressly approved by the manufacturer could void your authority to operate this equipment.

**Remote Control** - Your fan is equipped with a remote control to operate the speed and lights of your new ceiling fan.

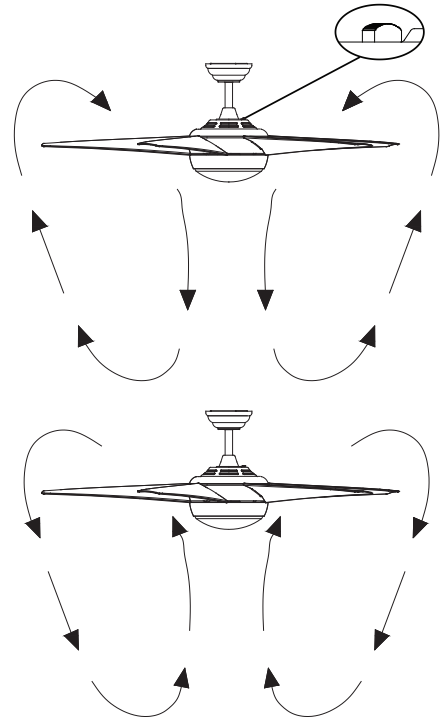
The appropriate speed settings for warm or cool weather depends on factors such as the room size, ceiling height, and number of fans.



**NOTE:** The reverse switch is located at the top of motor housing. Shut the fan off then wait until the blades have completely stopped before flipping the switch to reverse the direction of your ceiling fan.

**Warm weather - (Forward)** A downward airflow creates a cooling effect. This allows you to set your air conditioner on a warmer setting without affecting your comfort.

**Cool weather - (Reverse)** An upward airflow moves warm air off of the ceiling. This allows you to set your heating unit on a cooler setting without affecting your comfort.

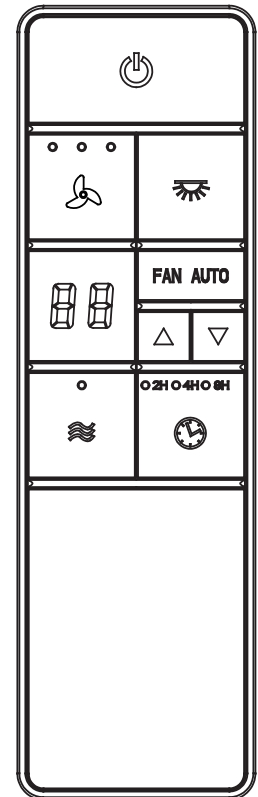


# Remote Operation

## 1 Operating the remote control

- ⏻ - Press and release the ⏻ button to turn the fan and the lights on or off.
- ⏻ - Press and hold the ⏻ button for 3 seconds to use the “walk away time delay”; this will activate the light for 30 seconds (if you are using dimmable bulbs the light will be activated at 50% brightness).
- 🌀 - Press and release 1 time - turns the fan on high speed.
- 🌀🌀 - Press and release 2 times - turns the fan on medium speed.
- 🌀🌀🌀 - Press and release 3 times - turns the fan on low speed.
- 🌀🌀🌀🌀 - Press and release 4 times - turns the fan off.
- 🌬️ - Press and release the 🌬️ button to enable Comfort Breeze™; this will change your fan speed randomly, simulating a relaxing breeze. To cancel this feature press 🌀 or ⏻.
- 🕒 - While the fan is on press 1 time - turns on a 2 hour run timer.
- 🕒🕒 - While the fan is on press 2 times - turns on a 4 hour run timer.
- 🕒🕒🕒 - While the fan is on press 3 times - turns on an 8 hour run timer.
- FAN AUTO** - This setting allows the fan to automatically turn on and off at a previously set room temperature.
  - △ - Press 1 time to adjust the set temperature + 1°, press and hold to raise the set temperature multiple degrees.
  - ▽ - Press 1 time to adjust the set temperature - 1°, press and hold to lower the set temperature multiple degrees.
  - 📺 - Digital display shows the set temperature when △ or ▽ is pressed.
- 💡 - Press and release the 💡 button to turn the light on or off.

If you are using dimmable bulbs and you have previously set O/D dip switch in your remote to the “D” position, press and hold the 💡 button to activate the dimmer function.



# Care and Cleaning



**WARNING:** Make sure the power is off before cleaning your fan.

- Because of the fan's natural movement, some connections may become loose. Check the support connections, brackets, and blade attachments twice a year. Make sure they are secure. It is not necessary to remove the fan from the ceiling.
- Clean your fan periodically to help maintain its new appearance over the years. Do not use water when cleaning, as this could damage the motor, or the wood, or possibly cause an electrical shock. Use only a soft brush or lint-free cloth to avoid scratching the finish. The plating is sealed with a lacquer to minimize discoloration or tarnishing.
- You can apply a light coat of furniture polish to the wood for additional protection and enhanced beauty. Cover small scratches with a light application of shoe polish.
- You do not need to oil your fan. The motor has permanently-lubricated sealed ball bearings.

# Troubleshooting

Problem	Solution
The fan will not start	<ul style="list-style-type: none"><li>□ Check the main and branch circuit fuses or breakers.</li><li>□ Check the line wire connections to the fan and switch wire connections in the switch housing.</li><li>□ Check the battery in the remote control.</li><li>□ Ensure you are in the normal range of 10-20 feet.</li><li>□ Turn the power off and ensure that the dip switch settings are the same on the remote control and receiver.</li></ul>
The fan is noisy	<ul style="list-style-type: none"><li>□ Ensure all motor housing screws are snug.</li><li>□ Ensure the screws that attach the fan blade bracket to the motor hub are tight.</li><li>□ Ensure the wire nut connections are not rattling against each other or the interior wall of the switch housing.</li><li>□ Allow a 24-hour "breaking in" period. Most noises associated with a new fan disappear during this time.</li><li>□ If you are using the Ceiling Fan light kit, ensure the screws securing the glassware are tight. Check that the light bulbs are also secure.</li><li>□ Ensure the canopy is a short distance from the ceiling. It should not touch the ceiling.</li><li>□ Ensure your outlet box is secure and rubber isolator pads were used between the mounting plate and outlet box.</li></ul>
The fan wobbles	<ul style="list-style-type: none"><li>□ Check that all blade and blade arm screws are secure.</li><li>□ Most fan wobble problems are caused when blade levels are unequal. Check this level by selecting a point on the ceiling above the tip of one of the blades. Measure from a point on the center of the blade to the point on the ceiling. Rotate the fan until the next blade is positioned for measurement, and measure from the same point on each blade to the ceiling. Repeat for each blade. Any measurement deviation should be within 1/8 in. Run the fan for ten minutes. If the fan continues to wobble please contact Hampton Bay Customer Service and a balancing kit will be sent to you at no charge.</li></ul>

This equipment has been tested and found to comply with the limits for a Class B digital device, pursuant to Part 15 of the FCC Rules. These limits are designed to provide reasonable protection against harmful interference in a residential installation. This equipment generates uses and can radiate radio frequency energy and, if not installed and used in accordance with the instructions, may cause harmful interference to radio communications. However, there is no guarantee that interference will not occur in a particular installation. If this equipment does cause harmful interference to radio or television reception, which can be determined by turning the equipment off and on, the user is encouraged to try to correct the interference by one or more of the following measures:

- Reorient or relocate the receiving antenna.
- Increase the separation between the equipment and receiver.
- Connect the equipment into an outlet on a circuit different from that to which the receiver is connected.
- Consult the dealer or an experienced radio/TV technician for help.

**CAUTION:**  
Any changes or modifications not expressly approved by the grantee of this device could void the user's authority to operate the equipment. This device complies with Part 15 of the FCC Rules. Operation is subject to the following two conditions:  
(1) This device may not cause harmful interference, and  
(2) this device must accept any interference received, including interference that may cause undesired operation.

# HOME DECORATORS COLLECTION

Questions, problems, missing parts? Before returning to the store,  
call Home Depot Customer Service  
8 a.m. - 6 p.m., EST, Monday-Friday

**1-800-986-3460**

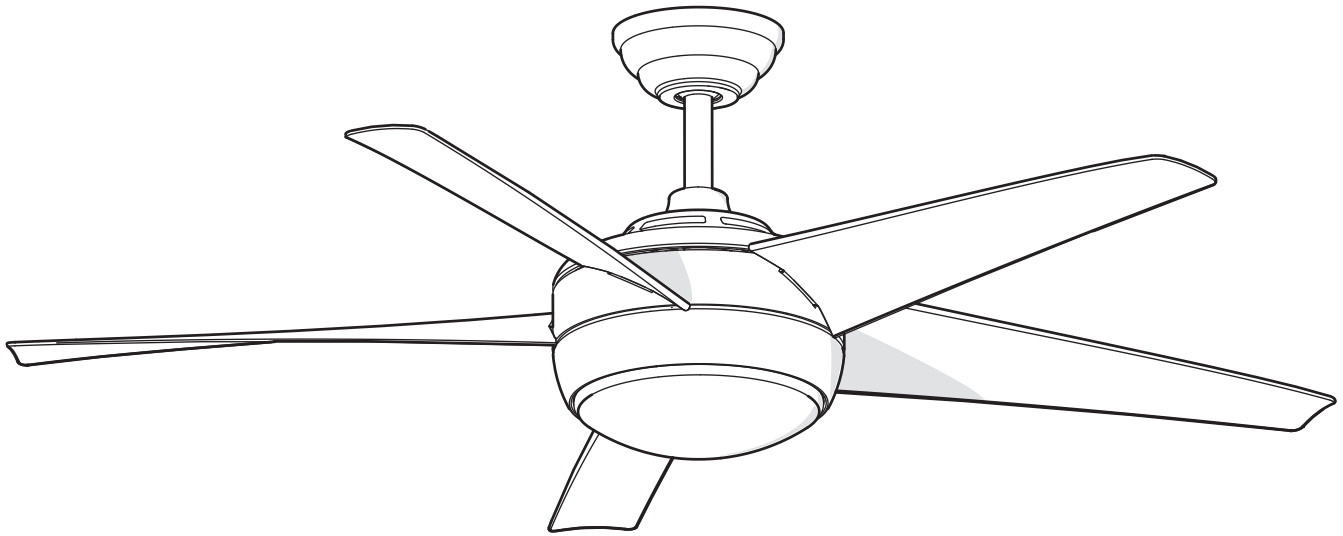
**[HOMEDEPOT.COM/HOMEDECORATORS](http://HOMEDEPOT.COM/HOMEDECORATORS)**

Retain this manual for future use.



# GUÍA DE USO Y MANTENIMIENTO

## WINDWARD IV - VENTILADOR DE TECHO DE 52" (1,32 m)



¿Preguntas, problemas o piezas faltantes? Antes de regresar a la tienda, llama al servicio al cliente de Home Decorators Collection de lunes a viernes entre 8 a.m. y 6 p.m. (hora estándar del Este).

1-800-986-3460

[HOMEDEPOT.COM/HOMEDECORATORS](http://HOMEDEPOT.COM/HOMEDECORATORS)



Para ver un video instructivo sobre cómo instalar este producto:

1. Ir a [www.homedepot.com](http://www.homedepot.com) e introduzca el artículo o el número de modelo, que se encuentra en la parte superior esquina derecha de la portada de este manual de instrucciones, en el campo de búsqueda.
2. Haga clic en su producto de la lista de resultados de búsqueda y hacer clic en el enlace del video en la sección "Descripción del producto".

### GRACIAS POR TU COMPRA

*Apreciamos la confianza que has depositado en Home Decorators Collection al comprar este ventilador de techo. Nos esforzamos en crear continuamente productos de calidad diseñados para mejorar tu hogar. Visítanos por Internet para ver nuestra línea completa de productos disponibles con vistas a las necesidades de mejoras de tu hogar. ¡Gracias por elegir Home Decorators Collection!*

# Tabla de Contenido

Tabla de Contenido .....	2	Ensamblado .....	7
Información de Seguridad .....	2	Funcionamiento .....	14
Garantía .....	3	Mantenimiento y Limpieza .....	15
Pre-Instalación .....	3	Solución de problemas .....	15
Instalación .....	6		

## Información de Seguridad

### LEE LAS INSTRUCCIONES Y GUÁRDALAS.

1. Para disminuir el riesgo de descarga eléctrica, asegúrate de que la electricidad ha sido apagada en el cortacircuitos o la caja de fusibles antes de comenzar.
2. Todo el cableado debe cumplir con el Código Nacional de Electricidad ANSI/NFPA 70 y con los códigos locales de electricidad. La instalación eléctrica debe ser hecha por un electricista certificado y calificado.
3. La caja eléctrica y estructura de soporte deben montarse de forma segura y tener capacidad para sostener de manera confiable 35 lb. Usa solamente cajas eléctricas aprobadas por UL marcadas como "Aprobada como soporte de ventiladores de 35 lb (15,9 kg) o menos."
4. El ventilador debe ir montado con un mínimo de 7 pies (2.1 m) de separación entre el borde trasero de las aspas y el piso.
5. No muevas el interruptor de reversa mientras las aspas del ventilador estén en movimiento. Debes apagar el ventilador y detener las aspas antes de invertir la dirección de las aspas.
6. No coloques objetos en la trayectoria de las aspas.
7. Los diagramas eléctricos son sólo para referencia. Los juegos de luces no empaquetados con el ventilador deben estar marcados como apropiados para ser usados con el modelo de ventilador a instalar. Los interruptores deberán estar clasificados por UL como de Uso General. Consulta las instrucciones adjuntas a los juegos de luces e interruptores para obtener información sobre el montaje adecuado.
8. Después de concluir con las conexiones eléctricas, debes voltear los conductores empalmados hacia arriba y empujarlos con cuidado hacia dentro de la caja eléctrica. Los cables deben estar separados, con el cable a tierra y el conductor a tierra del equipo hacia uno de los lados de la caja eléctrica.
9. Todos los tornillos colocados se deben verificar y ajustar donde sea necesario, antes de la instalación.



**ADVERTENCIA:** Para reducir el riesgo de lesiones personales, no dobles los soportes de las aspas (también llamados "bridas") durante o después de la instalación. No coloques objetos en la trayectoria de las aspas.



**ADVERTENCIA:** Para reducir el riesgo de incendio, descarga eléctrica o lesiones personales, monta el ventilador sobre una caja eléctrica marcada como "aprobada como soporte de ventiladores de 35 lb (15,9 kg) o menos", y usa los tornillos de montaje que vienen con la misma.



**ADVERTENCIA:** Para reducir el riesgo de incendio o descarga eléctrica, no utilices este ventilador con ningún dispositivo de control de velocidad de estado sólido.



**ADVERTENCIA:** Para evitar una posible descarga eléctrica, asegúrate de que la electricidad esté apagada en la caja de fusibles principal antes de instalar el cableado. Si crees que no tienes suficiente experiencia o conocimientos en cableado eléctrico, contrata a un electricista con licencia.



**ADVERTENCIA:** Los diagramas eléctricos son sólo para referencia. Cualquier juego de luces opcional debe estar aprobado por UL y marcado como adecuado para ser usado con este ventilador.



**ADVERTENCIA:** Para disminuir el riesgo de incendio o descarga eléctrica este ventilador sólo debe ser usado con un control de velocidad con el núm. de pieza AC.8.3.T, fabricado por Chia Wei Electric Co., LTD.



**PRECAUCIÓN:** Para reducir el riesgo de lesiones físicas, usa sólo los tornillos incluidos con la caja eléctrica.



**PRECAUCIÓN:** Para evitar lesiones, o daños al ventilador y otros objetos, ten cuidado al trabajar cerca del ventilador o al limpiarlo.



**PRECAUCIÓN:** Cambios o modificaciones sin la aprobación expresa por el parido responsable del cumplimiento pueden anular la autoridad para operar el equipo.

# Garantía

El proveedor garantiza de por vida, a partir de la fecha en que el comprador original lo adquiere, que el motor del ventilador no presenta defectos de fabricación ni de materiales al momento en que es enviado desde la fábrica. El proveedor también garantiza, por un período de dos años a partir de la fecha de compra por el comprador original, que todas las demás piezas del ventilador, sin incluir aspas de vidrio o acrílico, no presentarán ningún defecto de fabricación ni de material desde el momento de su salida de la fábrica. Acordamos reparar tales defectos sin cargo alguno o, a nuestra discreción, reemplazar el producto, si es devuelto, por un modelo de calidad igual o superior. Para obtener servicio de garantía, tiene que presentar una copia del recibo como comprobante de compra. Todos los costos de retiro y re-instalación del producto son de su responsabilidad. Los daños a cualquiera de las piezas como resultado de accidentes, uso inadecuado, instalación inadecuada o instalación de cualquier accesorio, no están cubiertos por esta garantía. Debido a que las condiciones climáticas pueden variar, esta garantía no cubre ningún cambio en el acabado en bronce, incluyendo óxido, perforación, corrosión, manchas y descascaramiento. Los acabados en bronce de este tipo tienen una vida útil más prolongada cuando se protegen contra las condiciones climáticas cambiantes. Es normal cierta "oscilación" y no se considerará un defecto. Cualquier servicio realizado por personal no autorizado invalidará la garantía. No hay ninguna otra garantía expresa. Por este medio, Home Depot Decorators Collection se exime de todas y cada una de las garantías, incluyendo, pero sin limitarse a, aquellas de comercialización e idoneidad para determinado propósito, en el alcance permitido por la ley. La duración de cualquier garantía implícita que no se pueda eximir está limitada al período de tiempo especificado en la garantía explícita. Algunos estados no permiten limitar la duración de la garantía; por consiguiente, la limitación anterior puede no aplicarse a su caso. El minorista no será responsable por daños directos, indirectos o especiales que resulten o deriven del uso o rendimiento del producto, excepto en casos en que lo estipule la ley. Algunos estados no permiten excluir ni limitar daños directos o indirectos, por lo que la limitación o exclusión anterior podría no aplicarse a su caso. Esta garantía otorga derechos legales específicos y es posible que usted tenga también otros derechos que varían de un estado a otro. Esta garantía sustituye todas las garantías anteriores. Los costos de envío de cualquier devolución de productos hecha como parte de una reclamación de garantía corren por cuenta del cliente.

Comuníquese con el equipo de servicio al cliente al 1-800-986-3460 o visite [www.HomeDepot.com/homedecorators](http://www.HomeDepot.com/homedecorators).

# Pre-Instalación

## ESPECIFICACIONES

Tamaño	Velocidad	Volts	FLUJO DE AIRE PIES CÚB. X MIN.	CONSUMO DE ENERGÍA (SIN LAS LUCES) EN WATTS	EFICIENCIA DE FLUJO DE AIRE (MIENTRAS MÁS ALTA MEJOR) PIES CÚB. X MIN/WATTS	Peso Neto	Peso Bruto	Pies Cúb
52 plg (1,32m)	Baja	120	2333	13	179	20,29 lbs (9,2 kgs)	23,15 lbs (10,5 kgs)	1,7 ft.
	Media		4283	31	138			
	Alta		6052	57	106			



**NOTA:** Estas medidas son aproximadas. No incluyen ni el amperaje ni el vataje consumido por el juego de luces.

## HERRAMIENTAS NECESARIAS



Destornillador  
Phillips



Destornillador  
plano



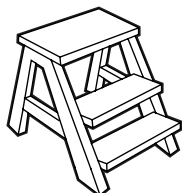
Llave  
ajustable



Cinta de  
electricista



Cortacables



Escalera

# Pre-Instalación (continuación)

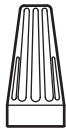
## HERRAJES INCLUIDOS



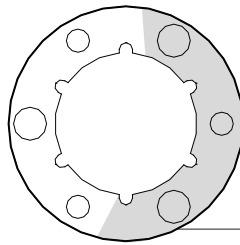
NOTA: No se muestra el tamaño real de los herrajes.



AA



BB

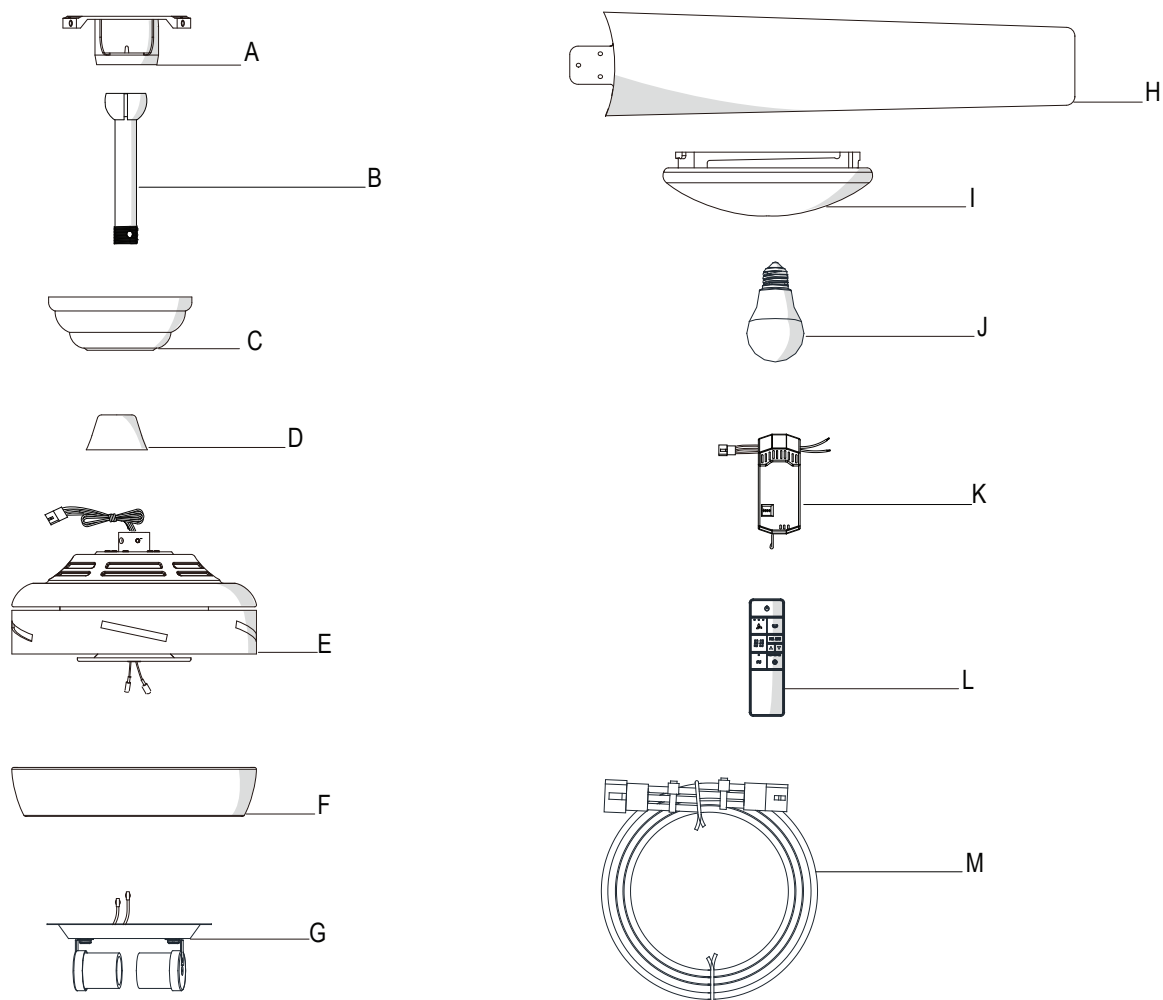


CC

Pieza	Descripción	Cantidad
AA	Tornillo de montaje de aspas	16
BB	Tuerca para conectar cable	3
CC	Junta de goma	1

# Pre-Instalación (continuación)

## CONTENIDO DEL PAQUETE



Pieza	Descripción	Cantidad
A	Soporte deslizante de montaje (dentro de la cubierta)	1
B	Ensamblado de tubo bajante/bola	1
C	Cubierta con aro incorporado	1
D	Cubierta decorativa del collarín del motor	1
E	Ensamblaje del motor del ventilador	1
F	Ensamblaje del soporte del juego de luces	1
G	Ensamblaje del soporte del kit de luces	1

Pieza	Descripción	Cantidad
H	Aspa	5
I	Tazón de vidrio	1
J	Focos LED (9.5 W, max.)	2
K	Receptor	1
L	Control remoto (baterías incluidas)	1
M	Extension de cable terminal	1



**IMPORTANTE:** Este producto y/o sus componentes están protegidos por una o más de las siguientes patentes de EE. UU.: 5,947,436; 5,988,580; 6,010,110; 6,046,416, 6,210,117 y otras patentes pendientes.

# Instalación

## OPCIONES DE MONTAJE

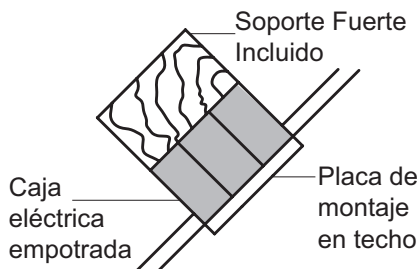
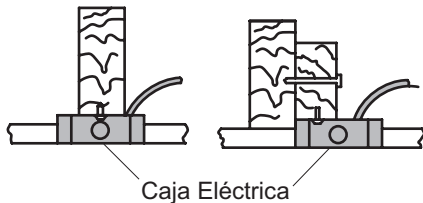
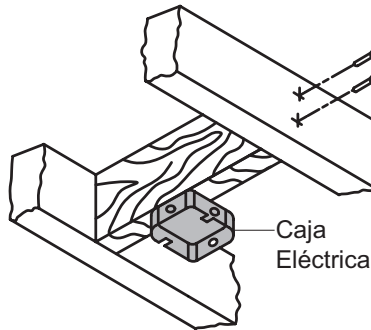


**ADVERTENCIA:** Para reducir el riesgo de incendio, descarga eléctrica o lesiones personales, monta el ventilador sobre una caja eléctrica marcada como “aprobada como soporte de ventiladores de 35 lb (15,9 kg) o menos”, y usa los tornillos de montaje que vienen con la misma. Las cajas eléctricas utilizadas comúnmente para el soporte de lámparas pueden no servir como soporte de ventilador, y tal vez deban reemplazarse. En caso de duda, consulta a un electricista calificado.

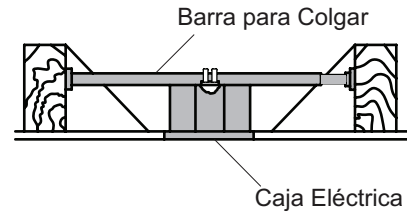
Si tu ventilador de techo no tiene una caja de montaje aprobada por UL, instala una siguiendo las instrucciones a continuación:

- Desconecta la energía retirando los fusibles o apagando los cortacircuitos.
- Asegura la caja eléctrica directamente a la estructura del edificio. Usa sujetadores y materiales apropiados. La caja eléctrica y su soporte deben sostener el peso completo del ventilador en movimiento (al menos 35 lb -15,9 kg). No uses una caja eléctrica de plástico.

Las ilustraciones a continuación muestran tres formas diferentes de montar la caja eléctrica.



**NOTA:** Tal vez necesites un tubo bajante más largo para mantener la altura mínima adecuada de las aspas, al instalar el ventilador en un techo inclinado. El ángulo máximo permitido es de 30° de la posición horizontal.

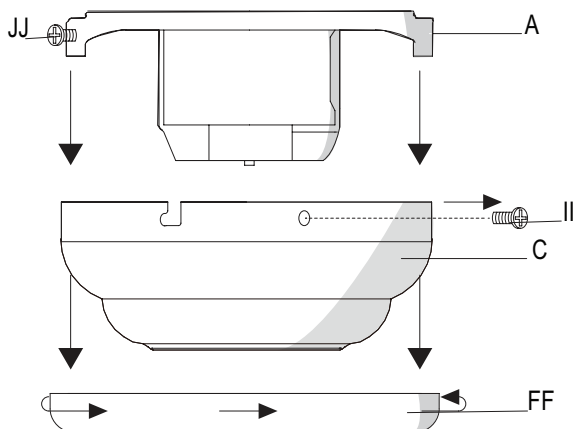


Si la cubierta toca el tubo bajante, retira la tapa inferior decorativa de la cubierta y gira la cubierta 180° antes de fijarla a la placa de montaje. Para colgar el ventilador donde ya haya una lámpara pero ninguna viga de techo, tal vez necesites una barra para instalación colgante como se muestra arriba.

# Ensamblaje - Montaje Estándar en Techo

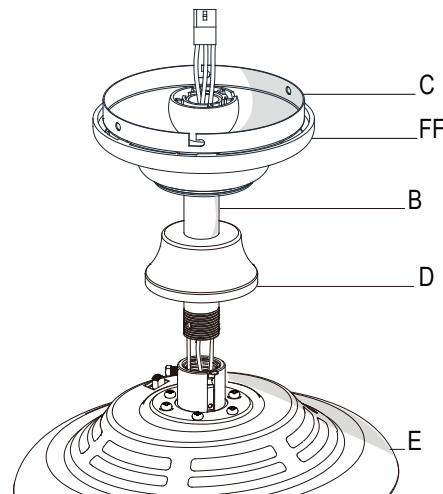
## 1 Preparar el montaje

- Retira el aro de cubierta (FF) de la cubierta (C), girándolo en sentido contrario a las manecillas del reloj hasta soltarlo.
- Retira el soporte de montaje (A) de la cubierta (C) aflojando los dos tornillos de la cubierta (JJ) ubicados en las ranuras en forma de "L".
- Quita y guarda los dos tornillos de la cubierta (II) en los orificios redondos. Esto te permitirá retirar el soporte de montaje (A).



## 2 Disposición de los cables

- Inserta los cables que salen por la parte superior del motor del ventilador (E) en la cubierta decorativa del collarín del motor (D) y a través del aro de la cubierta (FF).
- Asegúrate de que las ranuras estén en la parte superior y pasa los cables a través de la cubierta (C) y luego a través del ensamblaje del tubo bajante/bola (B).



## 3 Cómo ensamblar el ventilador

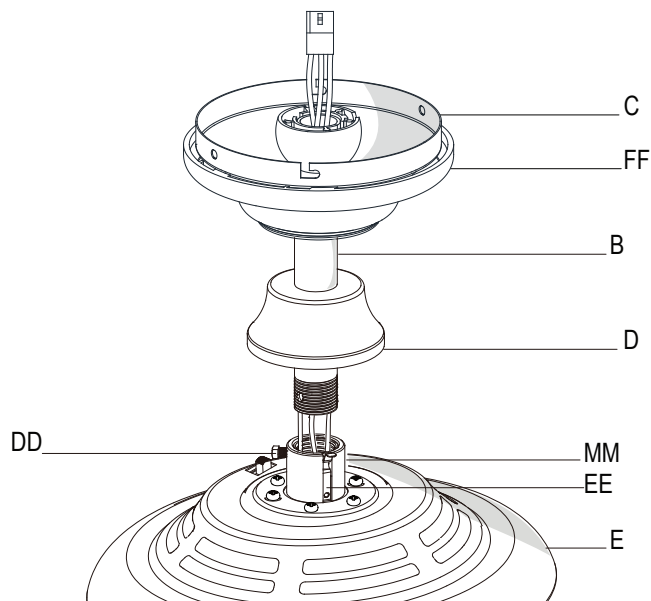


**PRECAUCIÓN:** Para garantizar un funcionamiento sin oscilaciones y evitar daños al ventilador, el tubo bajante (B) y el tornillo de fijación (DD) deben estar completamente ajustados.



**NOTA:** Este ventilador está equipado con una pestaña de seguridad (EE). Si el tornillo de fijación (DD) se afloja mientras el ventilador está funcionando en reversa, la pestaña de seguridad (EE) se enganchará y evitará que el ventilador se caiga.

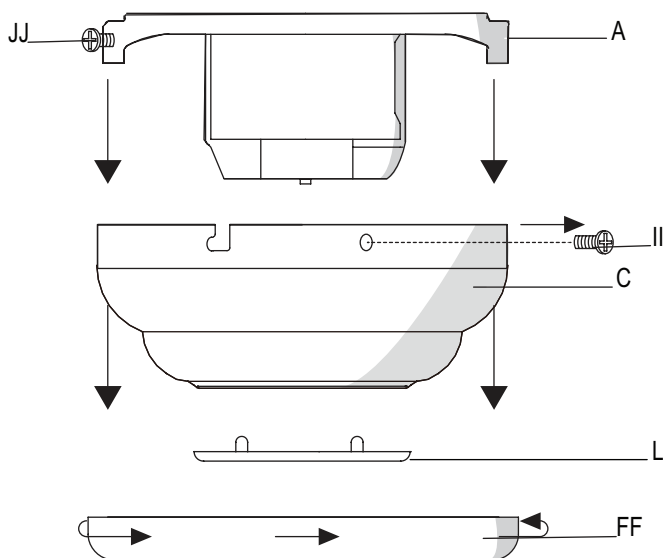
- Afloja, sin quitar, el tornillo de fijación (DD) del collarín del motor (MM) en la parte superior del ensamblaje del motor del ventilador (E) girando hacia la izquierda.
- Instala el tubo bajante (B) insertándolo en el collarín del motor (MM) y girándolo en el sentido de las manecillas del reloj hasta que quede fijo.
- Aprieta nuevamente el tornillo de fijación (DD) del collarín del motor (MM) en la parte superior del ensamblaje del motor del ventilador (E) girando hacia la derecha.



# Ensamblaje – Montaje “Cerca del Techo”

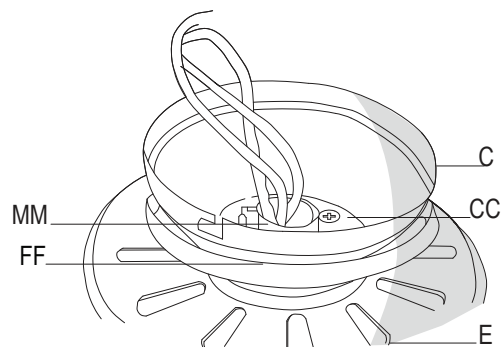
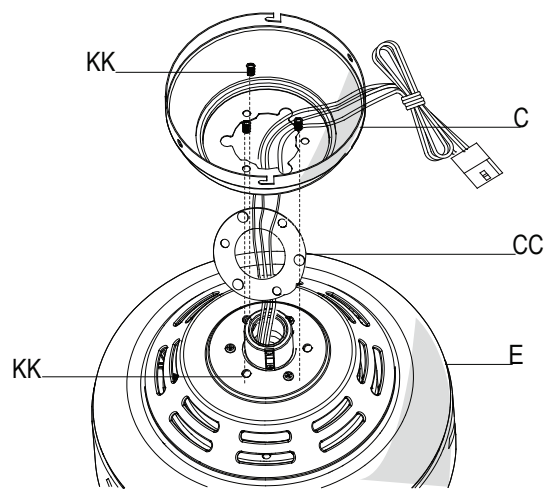
## 1 Montaje Cerca del Techo

- Retira el aro de cubierta (FF) de la cubierta (C), girándolo en sentido contrario a las manecillas del reloj hasta soltarlo.
- Retira el soporte de montaje (A) de la cubierta (C) aflojando los dos tornillos de la cubierta (JJ) ubicados en las ranuras en forma de “L”.
- Quita y guarda los dos tornillos de la cubierta (II) en los orificios redondos. Esto te permitirá retirar el soporte de montaje (A).
- Retira la cubierta inferior decorativa (L) de la cubierta (C) oprimiendo los tres pernos.



## 2 Pasar los cables

- Retira tres de los seis tornillos y arandelas de seguridad (KK)(alternados) que sujetan el collarín del motor a la parte superior del conjunto del motor y el ventilador (E).
- Pasa los cables que salen de la parte superior del conjunto del motor y el ventilador (E) a través de la junta de goma (CC) y alinea los orificios de la junta (CC) con los tres orificios para los tornillos del conjunto del motor y el ventilador (E).
- Pasa los cables que salen de la parte superior del conjunto del motor y el ventilador (E) a través del aro de la cubierta (FF) y la cubierta (C) (asegúrate de que las aberturas en forma de ranura para el aro de la cubierta y la cubierta misma estén en la parte superior). Coloca la cubierta (C) sobre el collarín (MM) en la parte superior del motor (E).
- Alinea los orificios de montaje de la cubierta (C) con los orificios para los tornillos del motor (E) y asegura con los tres tornillos y arandelas de seguridad (KK) (retirados anteriormente). Aprieta bien los tornillos de montaje.





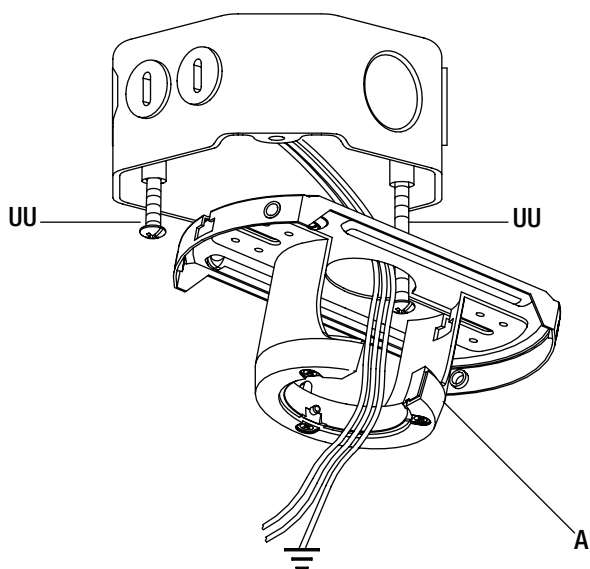
# Ensamblaje - Colgar el ventilador

## 3 Instalar el ventilador en la caja eléctrica



**ADVERTENCIA:** Para reducir el riesgo de incendio, descarga eléctrica o lesiones personales, monta el ventilador sobre una caja eléctrica marcada como “aprobada como soporte de ventiladores de 35 lb (15,9 kg) o menos”, y usa los tornillos de montaje que vienen con la caja eléctrica.

- Pasa los cables de suministro de 120 V~ a través del orificio central en el soporte de montaje (A).
- Instala el soporte de montaje de techo sobre la caja eléctrica deslizando el soporte de montaje (A) sobre los dos tornillos (UU) suministrados con la caja eléctrica. Si es necesario, usa arandelas niveladoras (no incluidas) entre el soporte de montaje (A) y la caja eléctrica. Fíjate que el lado plano del soporte de montaje (A) esté hacia la caja eléctrica. Cuando uses el montaje cerca del techo, es importante que el soporte de montaje esté nivelado.
- Ajusta firmemente los dos tornillos (UU) de montaje.



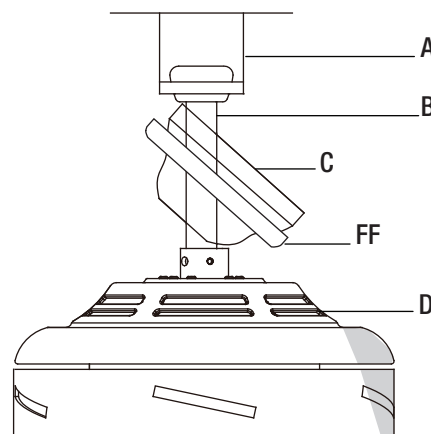
## 4 Colgar el ventilador



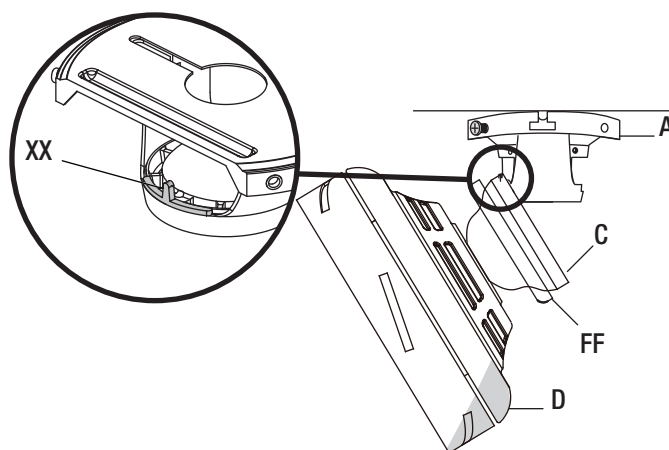
**ADVERTENCIA:** El gancho usado como se muestra es sólo para sostener el ventilador mientras se conectan los cables. Si no se cuelga como se muestra puede romperse el gancho, y el ventilador se caerá. El gancho debe pasar de adentro hacia fuera de la cubierta.

- Con cuidado alza el ensamblado del motor del ventilador (D) hasta el soporte de montaje (A).
- Coloca la bola de soporte del ensamblado de tubo bajante/ bola (B) en el soporte de montaje. Asegúrate de que la pestaña sobre el soporte de montaje (A) encaje bien dentro de la ranura de la bola de soporte. Si usas el montaje cerca del techo, cuelga el ventilador del gancho suministrado usando uno de los orificios en el borde exterior de la cubierta (C) de techo.

### Montaje estándar



### Montaje “cerca del techo”



# Ensamblaje – Colgar el Ventilador (continuación)

## 5 Cómo configurar los códigos del control remoto



NOTA: Las frecuencias del receptor y de la unidad de mano han sido preconfiguradas en la fábrica. Antes de instalar el receptor, asegúrate de que los interruptores en línea del receptor y de la unidad de mano estén configurados en la misma frecuencia. Los interruptores en línea de la unidad de mano están ubicados dentro del compartimiento de la batería.

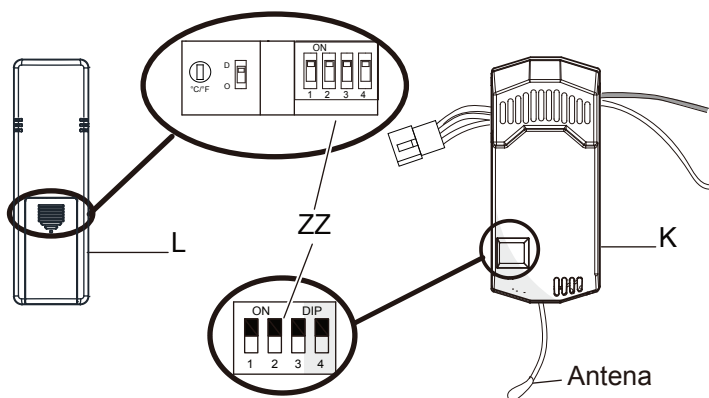


NOTA: La batería se debilitará con el tiempo y deberá ser reemplazada antes de que se produzca alguna fuga, ya que esto dañará la unidad de mano. Desecha la batería adecuadamente y mantenla fuera del alcance de los niños.



NOTA: Es obligatorio que el código utilizado tanto para el transmisor como para el receptor sea exactamente el mismo, ya que de otra manera, el control remoto no funcionará.

- Cómo configurar el código del control remoto
- Quita la cubierta de la batería del control remoto (L), presionando con firmeza en la flecha y deslizando la cubierta hasta que salga.
- Desliza los interruptores de código hacia arriba o hacia abajo, según tu elección. La configuración de fábrica es hacia arriba.
- De fábrica, el control remoto está en °F; mueve el interruptor °C/°F para cambiar a °C.
- Para los ventiladores con bombillas incandescentes, desliza el interruptor O/D a la posición "D". Si no utilizas las bombillas incandescentes, desliza el interruptor a la posición "O".
- Coloca 2 baterías AAA (incluidas).
- Coloca de nuevo la cubierta en el control remoto (L).
- Cómo configurar el código del receptor
- Desliza los interruptores del receptor (K) hacia las mismas posiciones que elegiste para el control remoto (L).



## 6 Instalar el Receptor



**ADVERTENCIA:** Para reducir el riesgo de incendio o de descarga eléctrica, recuerda desconectar la electricidad. El cableado eléctrico debe cumplir todos los requisitos de códigos eléctricos nacionales y locales. La fuente de energía y el ventilador deben ser de 110/120 voltios y 60 Hz. No utilices este producto con ningún control de pared variable. Conectar el cableado de manera incorrecta dañará este receptor.

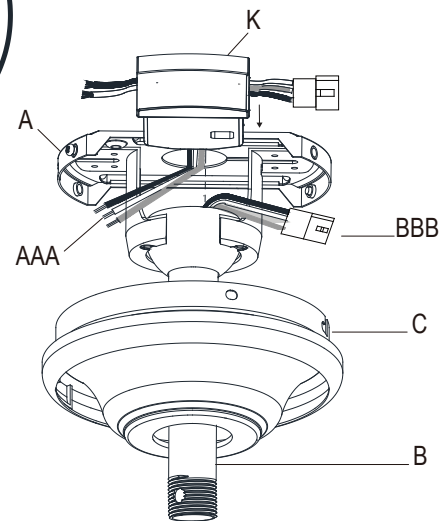
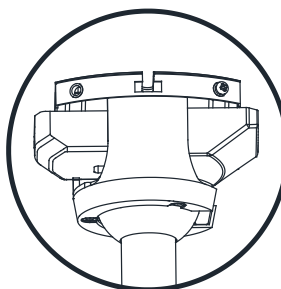


**PRECAUCIÓN:** Si otros cables del ventilador son de color diferente, haz que un electricista certificado instale esta unidad.



**PRECAUCIÓN:** No instales el receptor en lugares húmedos ni lo sumerjas en agua (sólo para uso en interiores). No hales ni recortes los cables terminales del receptor. No dejes caer ni golpees la unidad.

- Ubica los cables de suministro doméstico (AAA) en un lado del soporte de montaje deslizante (A) y coloca los cables del ventilador (BBB) en el lado opuesto.
- Inserta el extremo angosto del receptor (K) (como se muestra; el lado plano hacia el techo) en el soporte de montaje deslizante hasta quedar apoyado en la parte superior del ensamblaje del tubo bajante/bola.



# Ensamblaje – Colgar el Ventilador (continuación)

## 7 Como conectar los cables del receptor a los cables del hogar



**ADVERTENCIA:** Para evitar una posible descarga eléctrica, desconecta la electricidad de la caja de fusibles principal antes de realizar el cableado. Si crees que no tienes suficiente conocimiento o experiencia sobre cableado eléctrico, contacta a un electricista certificado.

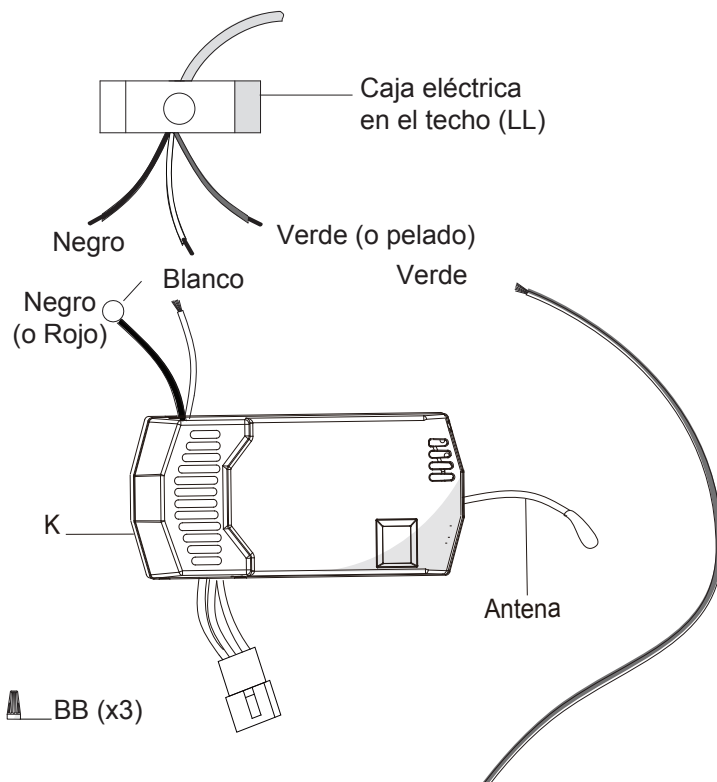


**ADVERTENCIA:** Cada cable no suministrado con este ventilador está diseñado para aceptar un máximo de un solo circuito eléctrico doméstico de calibre 12 y dos cables del ventilador. Si tienes un cableado doméstico superior a calibre 12 o más de un cable doméstico para conectar al cableado del ventilador, consulta a un electricista para conocer el tamaño adecuado de las tuercas para cables a usar.



**IMPORTANTE:** Usa las tuercas de conexión de cables (BB) incluidas con el ventilador. Sujeta los conectores con cinta de electricista y asegúrate de que no haya conexiones o cables sueltos.

- Separa los cables de manera que los cables verde y blanco queden de un lado de la caja eléctrica y el cable negro quede del otro lado.
- Conecta los cables verdes del ventilador al cable con conexión a tierra de la casa (este puede ser verde o pelado) con una tuerca de conexión de cables (BB).
- Conecta el cable negro (o rojo) del receptor al cable negro del hogar (positivo), usando una tuerca de conexión de cables (BB).
- Conecta el cable blanco del receptor al cable blanco del hogar (neutro), usando una tuerca de conexión de cables (BB).
- Asegura cada tuerca de conexión de cables con cinta de electricista.

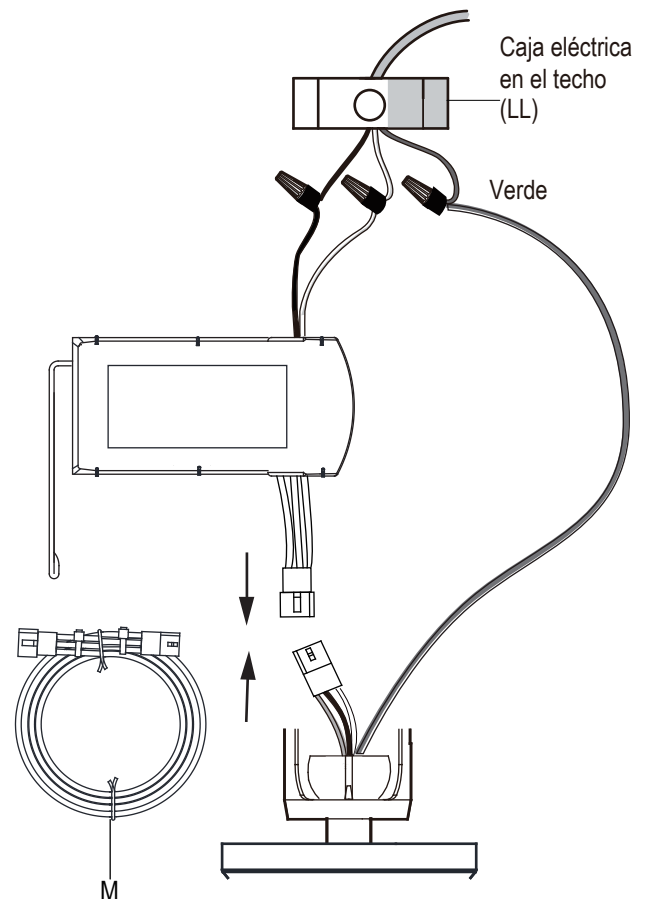


## 8 Cómo conectar los cables del ventilador a los del receptor



**NOTA:** El ventilador viene con cables terminales de 1.37 m para usar con un ensamblaje extendido de tubo bajante/bola. Si usas el ensamblaje extendido de tubo bajante/bola (B) de 15.24 cm incluido, puedes recortar los cables terminales al largo deseado (no menos de 30.5 cm).

- Si usas el conjunto del tubo bajante/bola (B) de 15.2 cm incluido, conecta los cables del receptor a los cables del ventilador uniendo el enchufe del adaptador moldeado (J) con el adaptador moldeado del conjunto motor-ventilador (E).
- Si deseas un tubo bajante más largo, puedes usar la extensión de cable terminal (107 cm) (L) incluida conectando el adaptador moldeado.



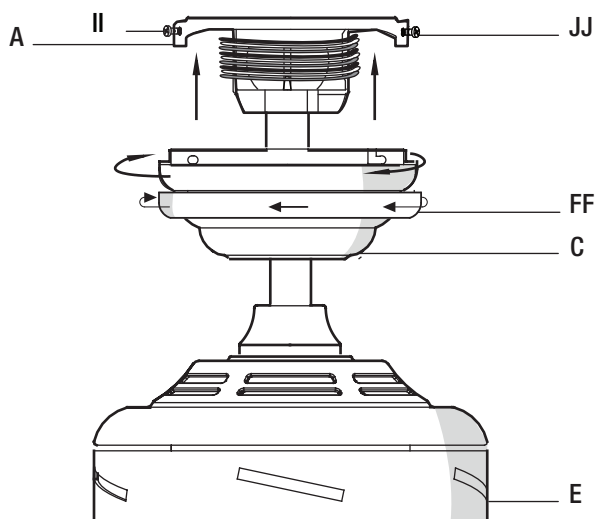
# Ensamblaje - Cómo colgar el ventilador (continuación)

## 9 Cómo montar el ventilador



**ADVERTENCIA:** Cuando uses el montaje de tubo bajante y bola estándar, la pestaña en el aro en la parte inferior de la placa de montaje debe encajar en la ranura de la bola de soporte. Si la pestaña no se asienta correctamente en la ranura, se puede dañar el cableado.

- Alinea las ranuras de cierre de la cubierta de techo (C) con los dos tornillos (JJ) del soporte de montaje (A). Alza para enganchar las ranuras y gira de izquierda a derecha para asegurar la cubierta (C) en su sitio.
- Ajusta firmemente los dos tornillos de montaje (JJ).
- Instala los dos tornillos de montaje (II) (guardados en el paso 1 del ensamblaje, "Preparación para el montaje") en los orificios de la cubierta (C) y aprieta firmemente.
- Instala el aro de cubierta (FF) alineando las ranuras del aro con los tornillos en la cubierta (C). Gira el aro en sentido de las manecillas del reloj para fijarlo en su lugar.

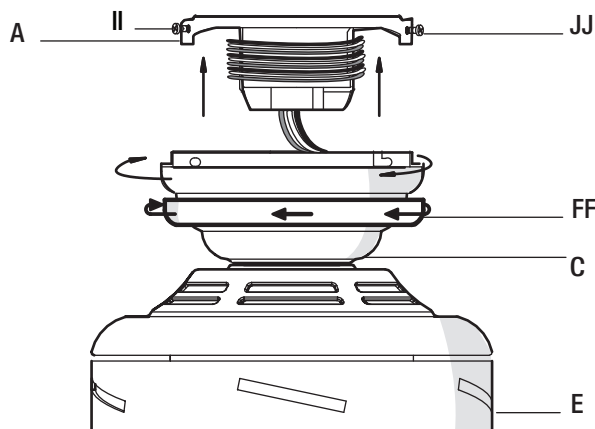


## 10 Montaje Cerca del Techo



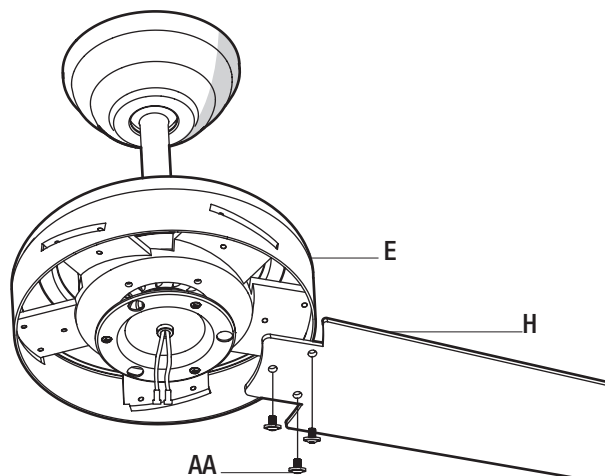
**ADVERTENCIA:** Las ranuras de cierre de la cubierta del techo sólo sirven de ayuda durante el montaje. No dejes sin supervisión el ensamblado del ventilador hasta que los cuatro tornillos de la cubierta se fijen y ajusten firmemente.

- Con cuidado desengancha el ventilador del soporte de montaje (A) y alinea las ranuras de cierre de la cubierta del techo (C) con los dos tornillos en el soporte de montaje (A). Alza para enganchar las ranuras y gira de izquierda a derecha para asegurar la cubierta en su sitio. Inmediatamente ajusta con firmeza los dos tornillos de montaje (JJ).
- Instala los dos tornillos de montaje (II) restantes en los orificios de la cubierta (C) y aprieta firmemente.
- Instala el aro (FF) de la cubierta decorativa alineando las ranuras del aro con los tornillos en la cubierta (C). Rota el aro en sentido contrario a las manecillas del reloj para fijarlo.



## 11 Cómo montar las aspas del ventilador

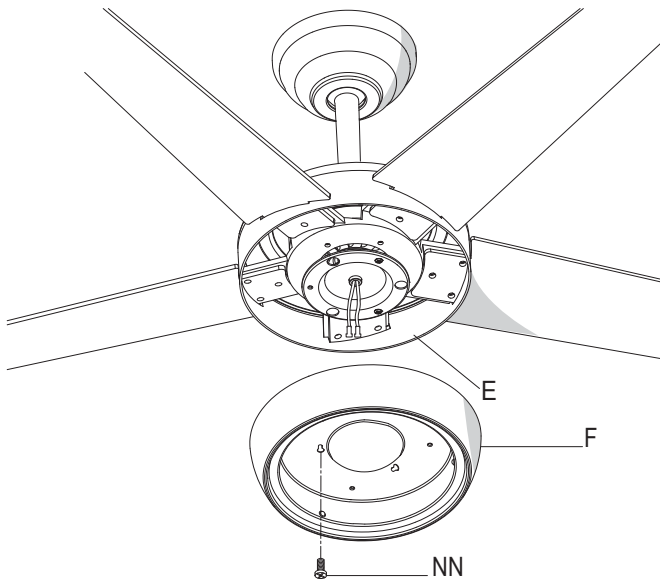
- Coloca el asa (G) en la carcasa del motor del ventilador (D) insertando el asa (G) dentro de la ranura del lateral de la caja del motor del ventilador (D).
- Inserta el tornillo (AA) en el soporte. Repite para los otros dos tornillos.
- Aprieta firmemente todos los tornillos (AA).
- Repite estos pasos para las aspas restantes (G).



# Ensamblaje - Cómo Instalar el Juego de Luces

## 1 Cómo instalar el juego de luces

- ❑ Quita un tornillo (NN) del soporte negro debajo del conjunto del motor del ventilador (E). Afloja, pero no quites, los otros dos tornillos.
- ❑ Empuja el ensamblaje del soporte del juego de luces (F) hacia el conjunto del motor y el ventilador (E), de manera que los dos tornillos aflojados encajen en los orificios tipo ojo de cerradura. Gira el ensamblaje del soporte del juego de luces (F) hacia la derecha.
- ❑ Vuelve a instalar el tornillo (NN) que retiraste en el primer paso.
- ❑ Aprieta firmemente todos los tornillos.

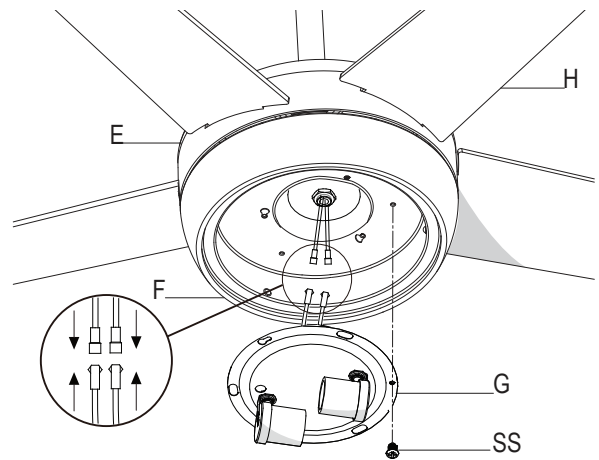


## 2 Cómo instalar los focos



**PRECAUCIÓN:** Para disminuir el riesgo de descarga eléctrica, desconecta el circuito de energía del ventilador antes de instalar el juego de luces.

- ❑ Quita un tornillo (SS) del ensamblaje del soporte del juego de luces (F). Afloja, pero no quites, los otros dos tornillos.
- ❑ Conecta el cable azul que sobresale por debajo del conjunto del motor y el ventilador (E) con el cable negro de la parte superior del conjunto del soporte del kit de luces (G).
- ❑ Conecta el cable blanco que sobresale por debajo del conjunto del motor y el ventilador (E) con el cable blanco de la parte superior del conjunto del soporte del kit de luces (G).
- ❑ Empuja el conjunto del soporte del kit de luces (G) hacia el ensamblaje del soporte del juego de luces (F) de manera que los dos tornillos aflojados encajen en las ranuras tipo ojo de cerradura. Gira el ensamblaje del soporte del kit de luces (G) para asegurarlo.
- ❑ Vuelve a instalar el tornillo (SS) que retiraste en el primer paso.
- ❑ Aprieta firmemente todos los tornillos.

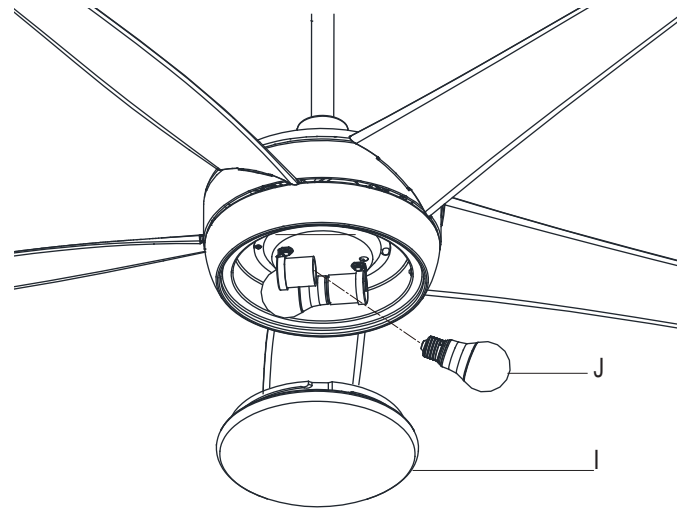


## 3 Cómo instalar los focos y la pantalla de vidrio



**ADVERTENCIA:** No apretar demasiado al instalar la pantalla de vidrio en el ensamblado del juego de luces. Espera que la pantalla de vidrio se enfríe completamente antes de retirarla.

- ❑ Con la electricidad apagada, instala los dos focos LED (J) (de 9.5 Watts Máximo, incluidas) enroscándolas en los portabombillas.
- ❑ Coloca la pantalla de vidrio (I) en el ensamblado del juego de luces (F), alineando las tres áreas planas en el reborde superior de la pantalla de vidrio (I) con las tres muescas salientes del ensamblado del juego de luces (F). Gira la pantalla de vidrio (I) de izquierda a derecha hasta que se detenga.



# Funcionamiento



**PRECAUCIÓN:** Este dispositivo cumple con la parte 15 de las regulaciones de la FCC. Los cambios o modificaciones no expresamente aprobados por el fabricante podrían anular el derecho del usuario para operar este equipo.

**Control Remoto** - Tu ventilador está equipado con un control remoto que controla la velocidad, la dirección y las luces de tu nuevo ventilador de techo.

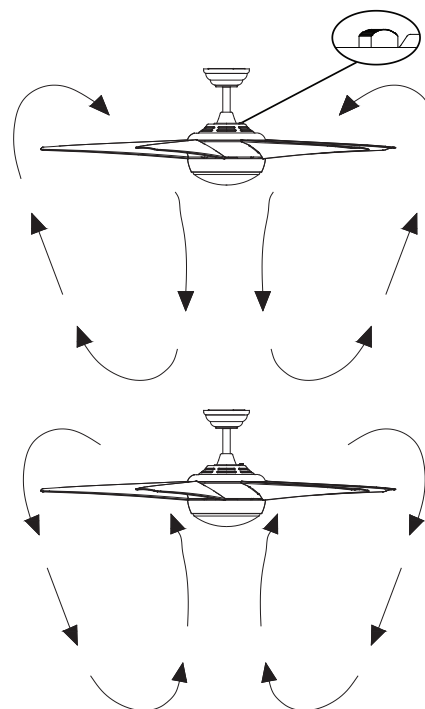
Las configuraciones de velocidad apropiadas para clima cálido o frío dependen de factores como tamaño de la habitación, altura del techo y cantidad de ventiladores.



**NOTA:** El interruptor de inversión está situado en la parte superior de la carcasa del motor. Apague el ventilador y espere hasta que las cuchillas se hayan detenido completamente antes de pulsar el interruptor para invertir la dirección de su ventilador de techo.

**Clima cálido** - (Hacia adelante) Un flujo de aire hacia abajo crea un efecto refrescante. Esto te permite fijar tu aire acondicionado en una configuración más alta sin afectar tu comodidad.

**Clima frío** - (Reversa) Un flujo de aire hacia arriba mueve el aire cálido lejos del techo. Esto te permite fijar tu unidad de calefacción en una configuración más baja sin afectar tu comodidad.



## Funcionamiento de remoto

### 1 Cómo operar el control remoto

⏻ - Oprime y suelta el botón ⏻ para encender o apagar el ventilador y las luces.

Mantén presionado el botón ⏻ durante 3 segundos para usar el “temporizador inmediato”; esto encenderá las luces durante 30 segundos (si usas bombillas regulables, las luces se encenderán al 50% de su brillo).

🌀 - Oprime y suelta 1 vez - para encender el ventilador a velocidad alta.

🌀🌀 - Oprime y suelta 2 veces - para encender el ventilador a velocidad media.

🌀🌀🌀 - Oprime y suelta 3 veces - para encender el ventilador a velocidad baja.

🌀🌀🌀🌀 - Oprime y suelta 4 veces - para apagar el ventilador.

🌀🌀🌀🌀 - Oprime y suelta el 🌀🌀🌀🌀 botón para activar la función Comfort Breeze™; esto hará que la velocidad del ventilador cambie aleatoriamente, imitando una brisa relajante. Para cancelar esta función, oprime 🌀 o ⏻.

🕒 - Con el ventilador encendido, oprime 1 vez - para activar el temporizador con 2 horas de funcionamiento.

🕒🕒 - Con el ventilador encendido, oprime 2 veces - para activar el temporizador con 4 horas de funcionamiento.

🕒🕒🕒 - Con el ventilador encendido, oprime 3 veces - para activar el temporizador con 8 horas de funcionamiento.

**FAN AUTO** - Esta configuración permite que el ventilador se encienda y apague automáticamente para mantener la temperatura ambiente establecida previamente.

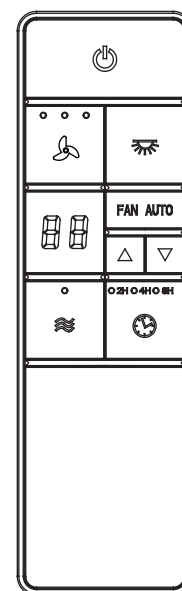
△ - Oprime 1 vez para ajustar la temperatura establecida + 1°; mantén presionado para aumentar varios grados la temperatura establecida.

▽ - Oprime 1 vez para ajustar la temperatura establecida - 1°; mantén presionado para bajar varios grados la temperatura establecida.

📺 - La pantalla digital muestra la temperatura establecida al oprimir △ o ▽.

💡 - Oprime y suelta el botón 💡 para encender o apagar las luces.

Si utilizas bombillas regulables y previamente configuraste el interruptor O/D del control remoto en la posición “D”, mantén presionado el botón 💡 para activar la función de regulador.



# Mantenimiento y Limpieza



**ADVERTENCIA:** Asegúrate de que la corriente esté apagada antes de limpiar el ventilador.

- Debido al movimiento natural del ventilador, algunas conexiones pueden aflojarse. Revisa las conexiones de soporte, soportes y accesorios de aspas dos veces al año. Verifica que estén seguros. No es necesario desmontar el ventilador del techo.
- Limpia tu ventilador con frecuencia, para que luzca como nuevo a pesar de los años. No uses agua al limpiar, esto puede dañar el motor o la madera, o causar descargas eléctricas. Usa solamente un cepillo suave o un paño sin pelusas para evitar arañar el acabado. El revestimiento está sellado con laca para minimizar la decoloración u opacidad.
- Puedes aplicar una fina capa de pulimento para muebles a la madera para una mayor protección y belleza. Cubre los arañazos pequeños con una leve aplicación de lustrador para calzado.
- Tu ventilador no necesita lubricación. El motor tiene cojinetes de bola sellados permanentemente lubricados.

## Solución de problemas

Problema	Solución
El ventilador no enciende.	<ul style="list-style-type: none"><li>□ Verifica los fusibles o disyuntores principales y secundarios.</li><li>□ Verifica las conexiones de cables en línea al ventilador y conexiones de cables del interruptor en la caja de interruptores.</li><li>□ Controla la batería del control remoto.</li><li>□ Asegúrate de estar en el rango normal de 10 a 20 pies (3 - 6 m).</li><li>□ Apaga la electricidad y asegúrate de que coincidan las configuraciones del interruptor en el transmisor y el receptor.</li></ul>
El ventilador hace ruido.	<ul style="list-style-type: none"><li>□ Asegúrate de que los tornillos de la carcasa del motor estén ajustados.</li><li>□ Asegúrate de que los tornillos que unen el soporte de aspa al cuerpo del motor están bien ajustados.</li><li>□ Asegúrate de que las conexiones de tuerca de cable no choquen unas con otras o con la pared interior de la caja del interruptor.</li><li>□ Permite un período de 24 horas de “adaptación”. La mayoría de los ruidos asociados con un nuevo ventilador desaparecen en ese período.</li><li>□ Si usas el juego de luces de Ventilador de Techo, asegúrate de que los tornillos que sujetan el vidrio estén bien colocados. Verifica que los focos de luz estén bien aseguradas.</li><li>□ Asegúrate de que la cubierta esté a corta distancia del techo. No debe tocar el techo.</li><li>□ Asegúrate de que tu caja eléctrica y las almohadillas aislantes de goma se hayan instalado entre la placa de montaje y la caja eléctrica.</li></ul>
El ventilador oscila.	<ul style="list-style-type: none"><li>□ Verifica que todos los tornillos y brazos de las aspas estén seguros.</li><li>□ La mayoría de los problemas de oscilación del ventilador se deben a que las aspas no están a un mismo nivel. Verifica este nivel seleccionando un punto en el techo sobre la punta de una de las aspas. Mide desde un punto en el centro de cada aspa a un punto en el techo. Gira el ventilador hasta que la próxima aspa quede posicionada para medir. Repite para cada aspa. Las desviaciones de la medición deben estar dentro de 0.31 cm . Enciende el ventilador durante diez minutos. Si el ventilador continúa oscilando, comunícate con el servicio al cliente y te enviarán un kit de compensación de aspas, sin costo alguno.</li></ul>

Este equipo ha sido probado y se ha verificado que cumple con los límites para un dispositivo digital clase B, conforme a la sección 15 de las reglas de la FCC. Estos límites se han diseñado para proporcionar una protección razonable contra la interferencia perjudicial en una instalación residencial. Este equipo genera, utiliza y puede irradiar energía de radiofrecuencia y, si no se instala y se usa de acuerdo con las instrucciones, puede causar interferencia perjudicial a las comunicaciones de radio. Sin embargo, no se garantiza que no se producirán interferencias en una instalación en especial. Si este equipo genera una interferencia perjudicial para la recepción de radio o televisión, que se puede determinar apagando y encendiendo el equipo, se recomienda al usuario que intente corregir la interferencia con una o más de las siguientes medidas:

- Reoriente o reubique la antena de recepción.
- Aumente la separación entre el equipo y el receptor.
- Conecte el equipo a un tomacorriente de un circuito distinto al que usa el receptor.
- Solicite ayuda al concesionario o a un técnico con experiencia en radio/TV.

**PRECAUCIÓN:**

Los cambios o modificaciones sin aprobación expresa del responsable de este dispositivo podrían anular el derecho del usuario a operar el equipo. Este dispositivo cumple con la Parte 15 de las Normas de la FCC. Su operación está sujeta a las dos condiciones siguientes:

(1) este dispositivo no debe causar interferencia dañina, y

(2) este dispositivo tiene que aceptar cualquier interferencia recibida, incluyendo aquella que pueda afectar su funcionamiento.

# HOME DECORATORS COLLECTION

¿Preguntas, problemas o piezas faltantes? Antes de regresar a la tienda,

llama al servicio al cliente de The Home Depot

de lunes a viernes, de 8 a.m. a 6 p.m. (hora estándar del Este)

**1-800-986-3460**

**[HOMEDEPOT.COM/HOMEDECORATORS](https://www.homedepot.com/homedecorators)**

Conserva este manual para uso en el futuro.