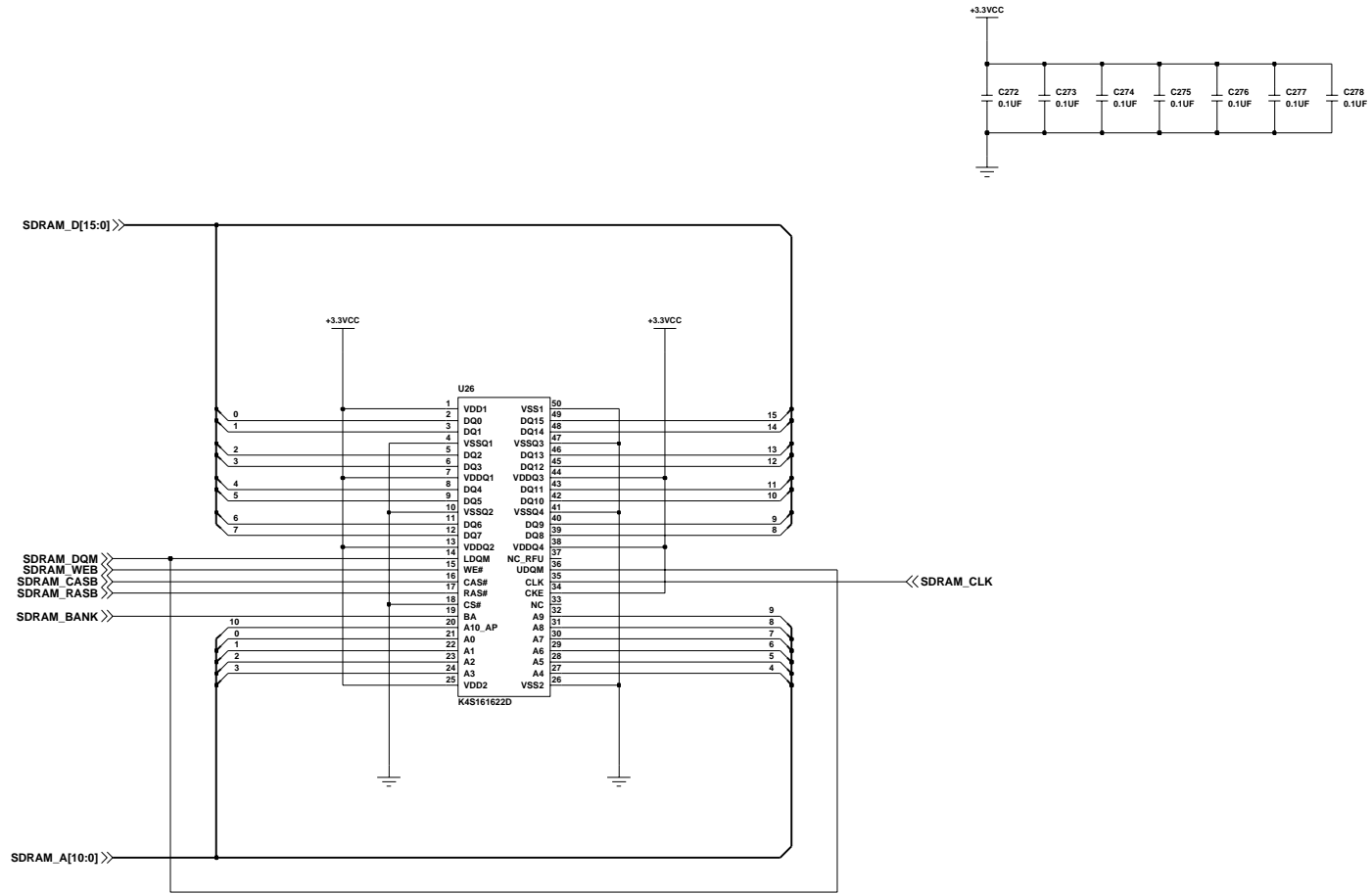


GLOBAL TECH

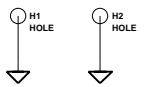
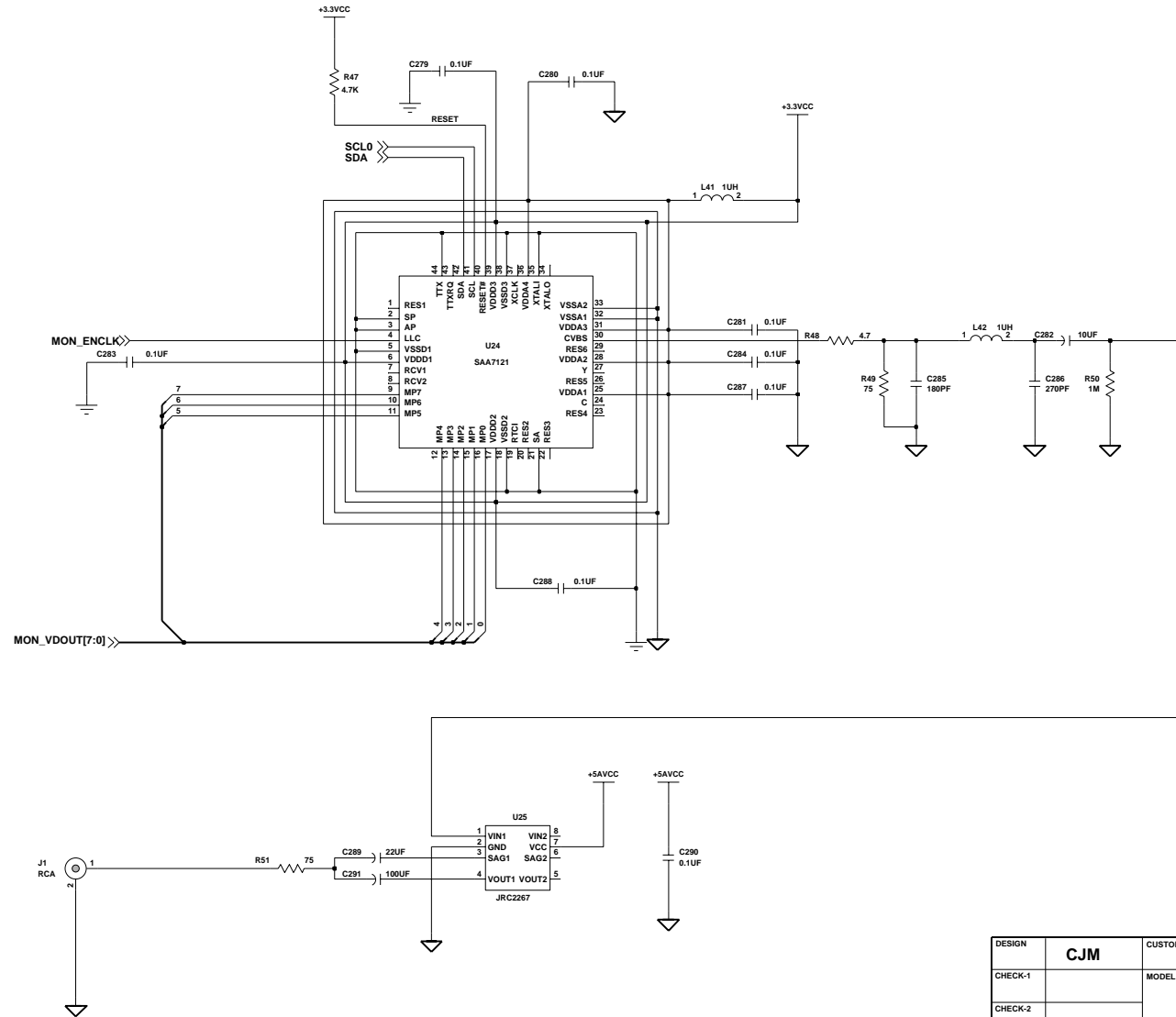
DESIGN	CJM	CUSTOMER	ITT	
CHECK-1		MODEL NAME		REV.
CHECK-2				
DATE	2003-06-05	UPDATE		STEP
REMARK				SHEET 1
GLOBAL TECH				

GLOBAL TECH

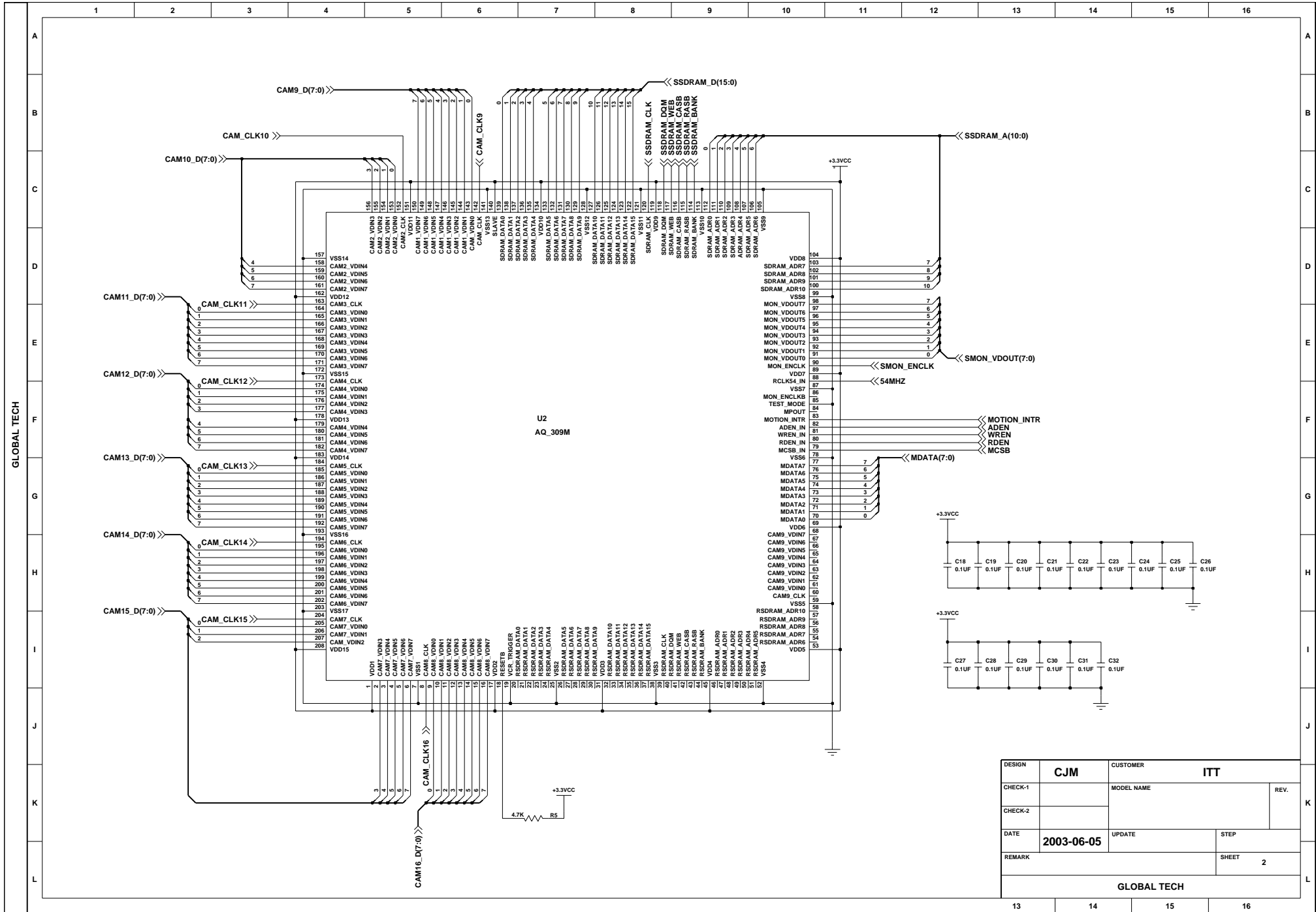


DESIGN	CJM	CUSTOMER		ITT
CHECK-1		MODEL NAME		REV.
CHECK-2				
DATE	2003-06-05	UPDATE		STEP
REMARK				SHEET 10
GLOBAL TECH				

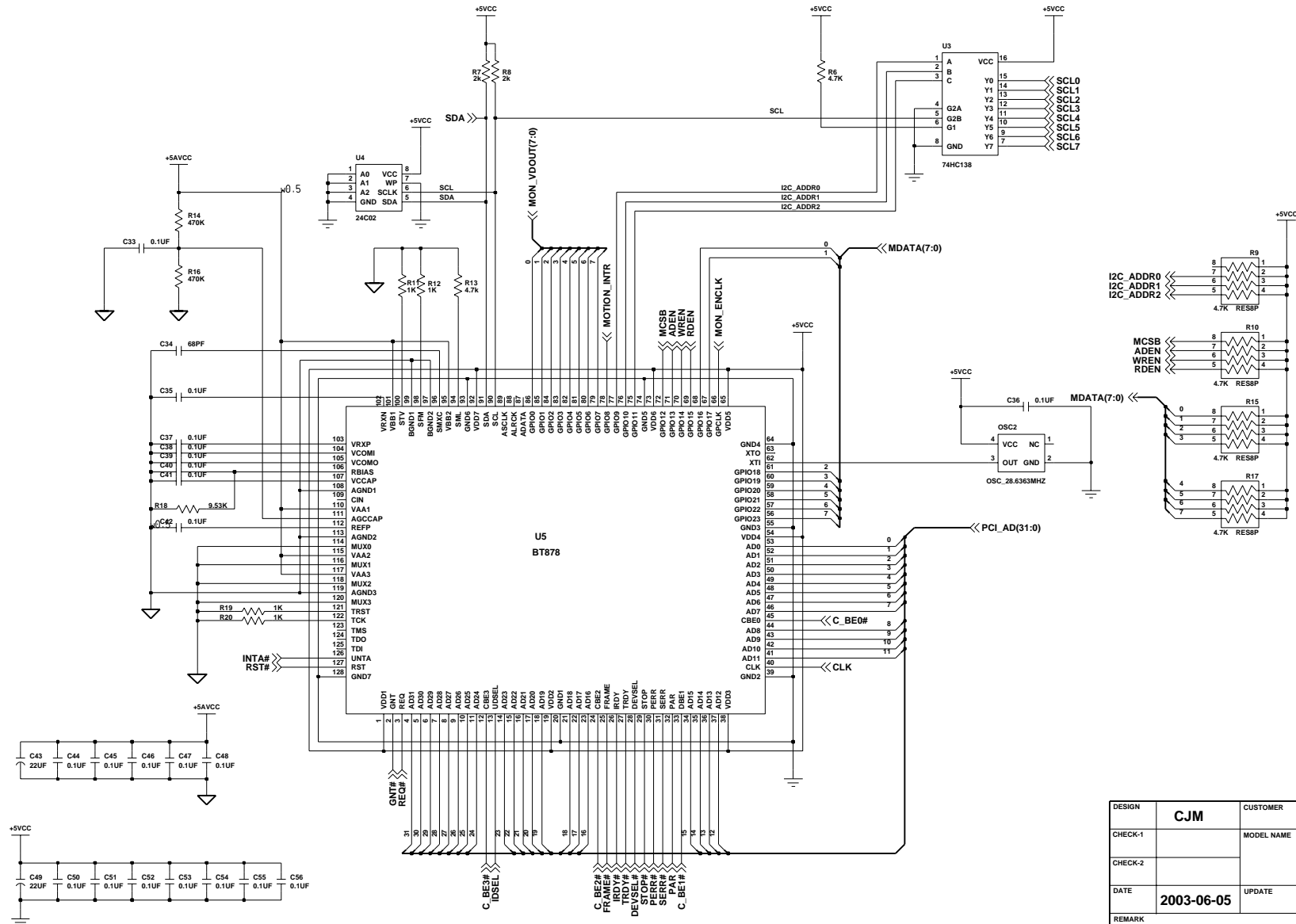
GLOBAL TECH



DESIGN	CJM	CUSTOMER		ITT
CHECK-1		MODEL NAME		REV.
CHECK-2				
DATE	2003-06-05	UPDATE		STEP
REMARK				SHEET 11
GLOBAL TECH				



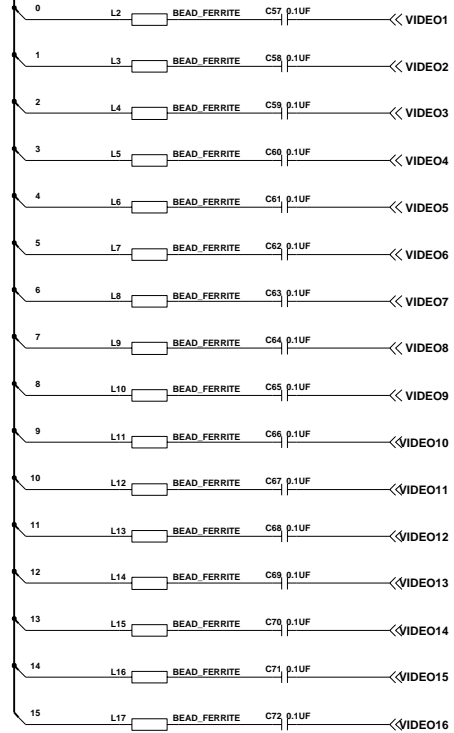
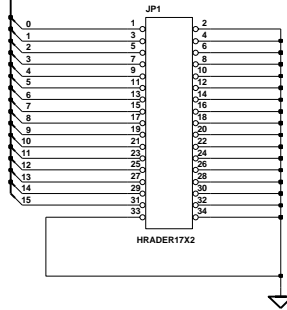
DESIGN	CJM	CUSTOMER	ITT	
CHECK-1		MODEL NAME		REV.
CHECK-2				
DATE	2003-06-05	UPDATE		STEP
REMARK				SHEET
				2
GLOBAL TECH				



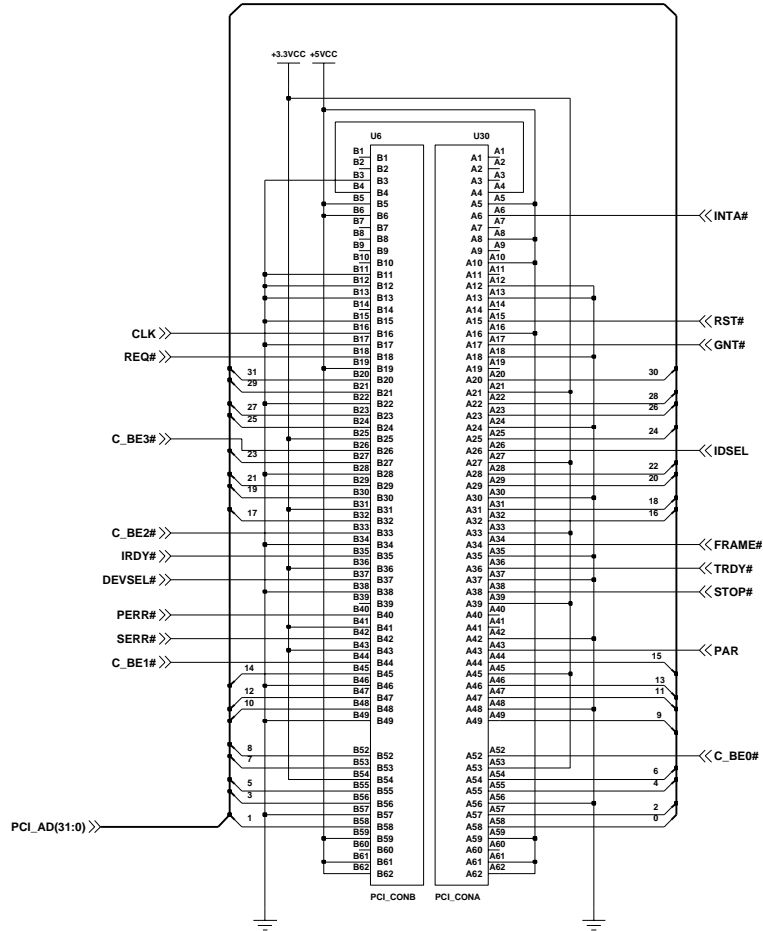
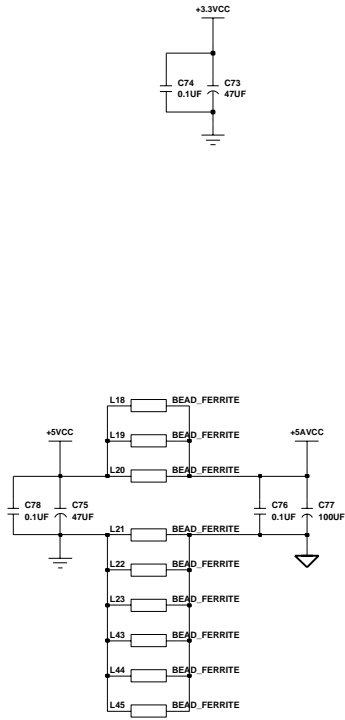
DESIGN	CJM	CUSTOMER		ITT
CHECK-1		MODEL NAME		REV.
CHECK-2				
DATE	2003-06-05	UPDATE		STEP
REMARK				SHEET 3
GLOBAL TECH				

GLOBAL TECH

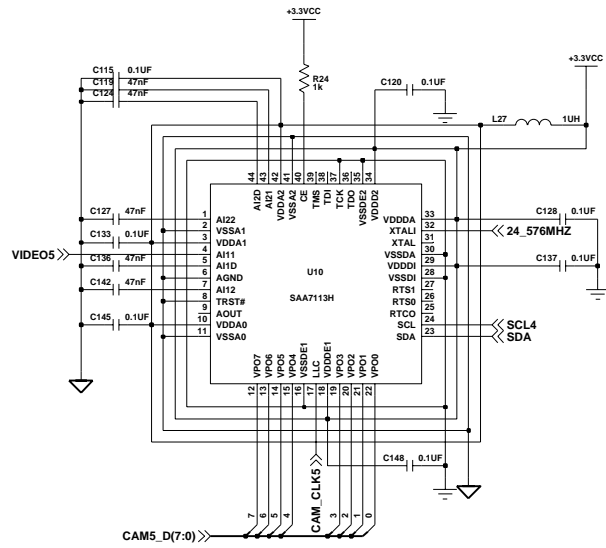
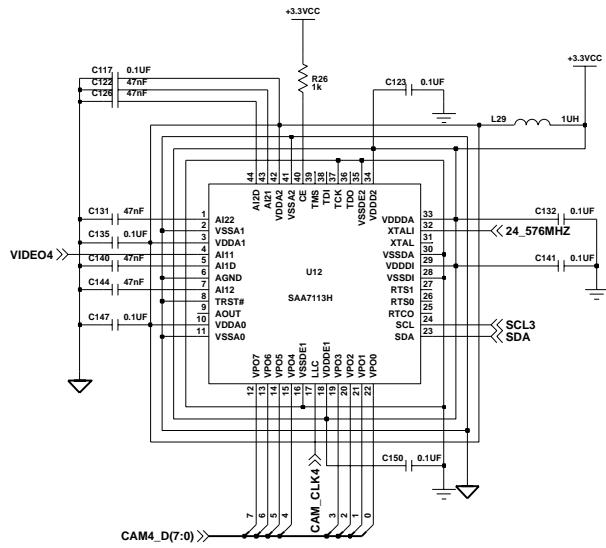
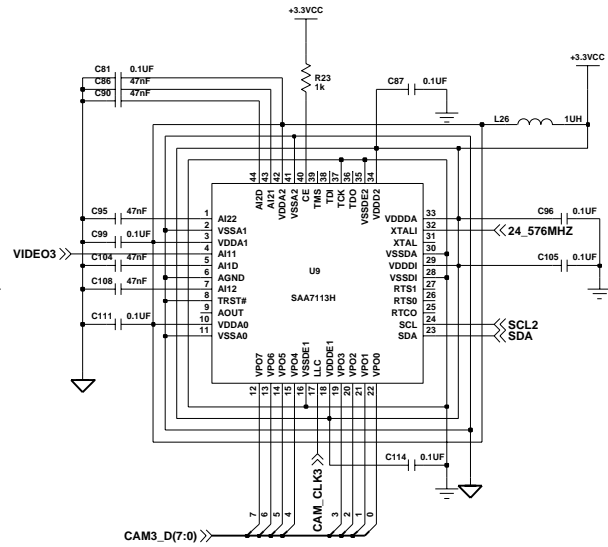
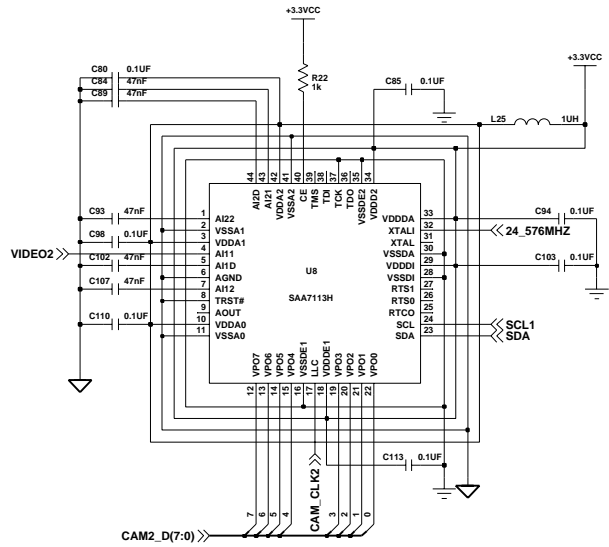
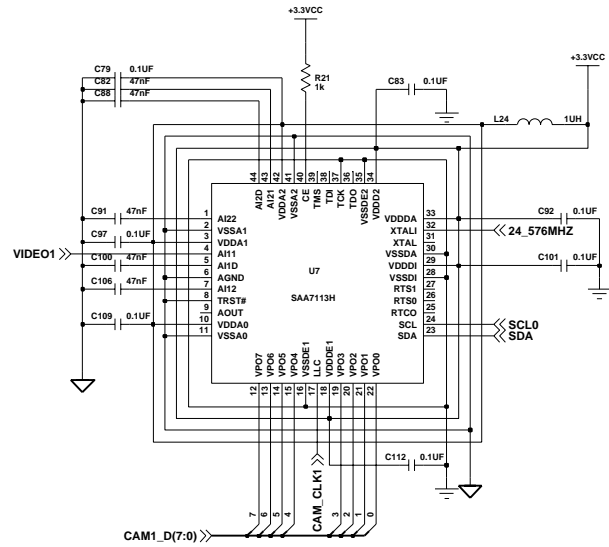
VIN[15:0]



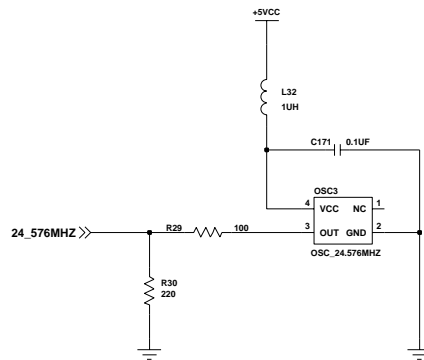
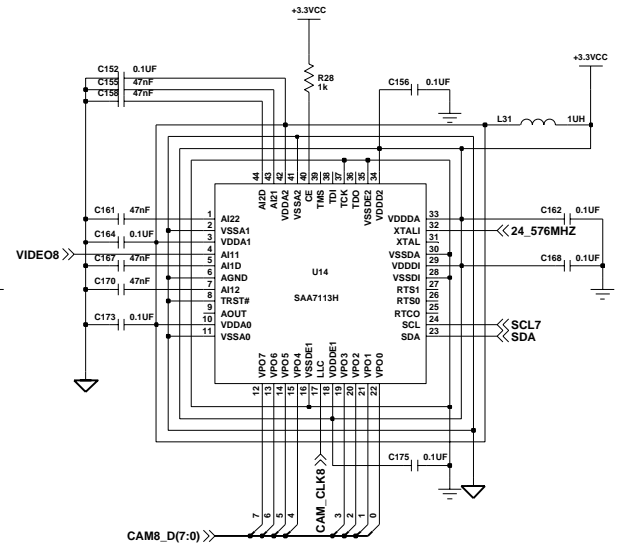
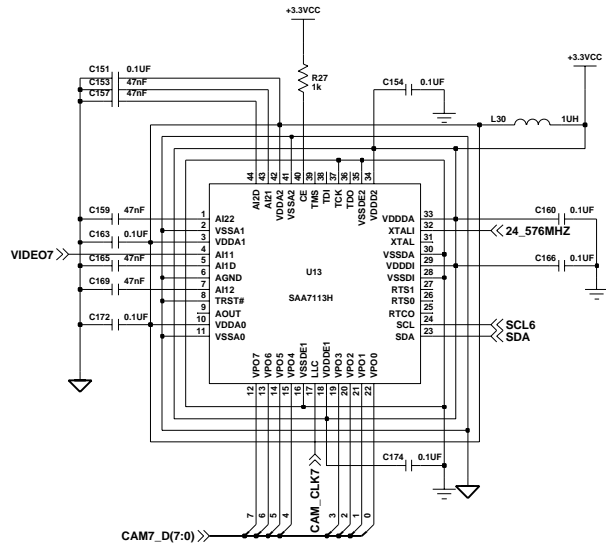
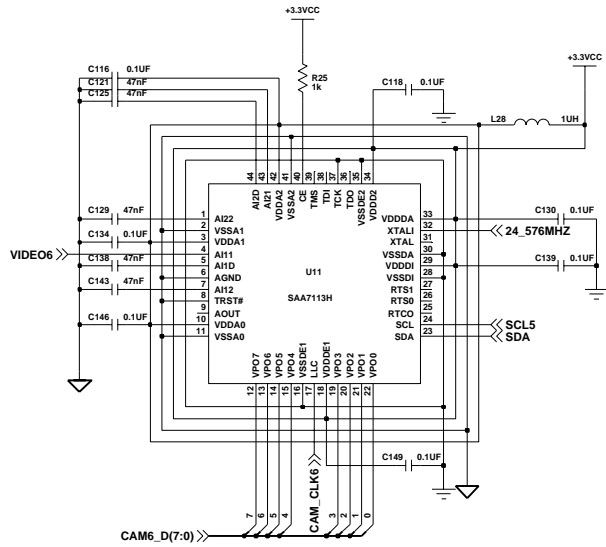
DESIGN	CJM	CUSTOMER		ITT
CHECK-1		MODEL NAME		REV.
CHECK-2				
DATE	2003-06-05	UPDATE		STEP
REMARK				SHEET 4
GLOBAL TECH				



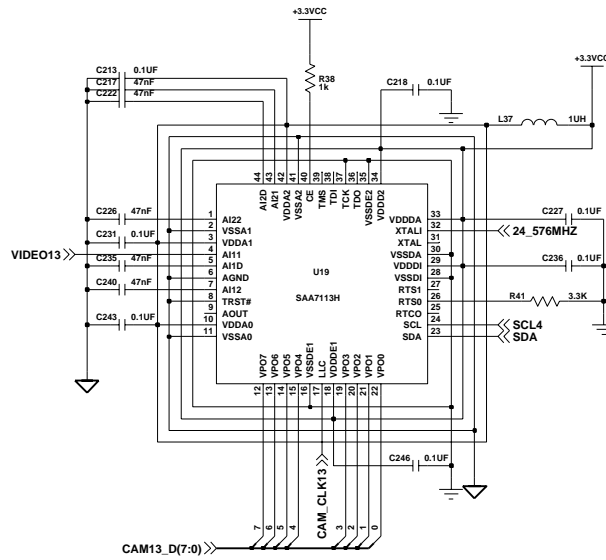
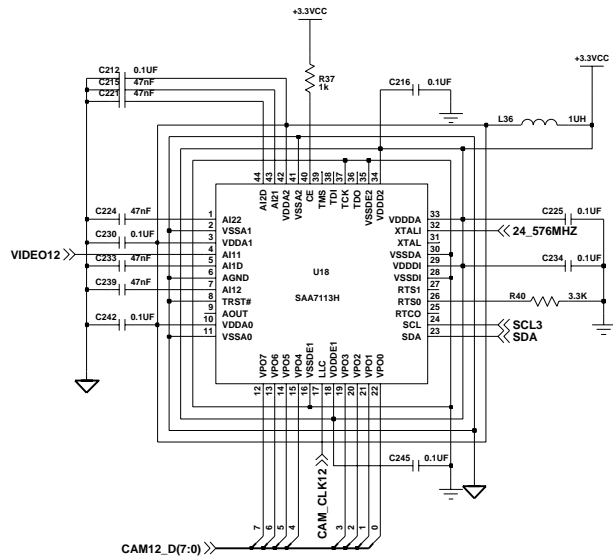
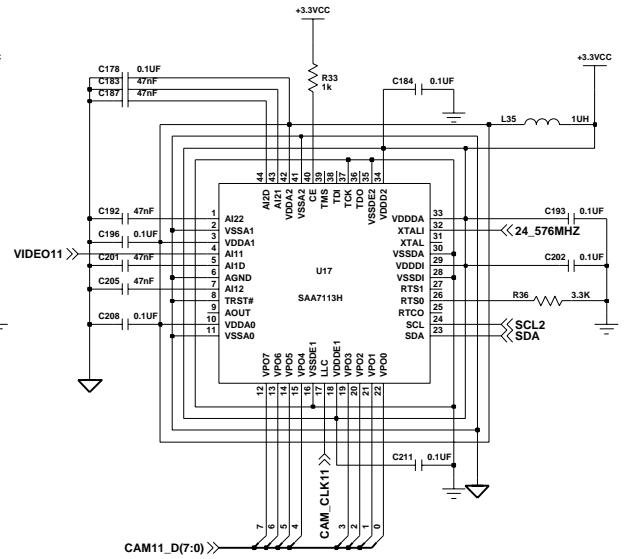
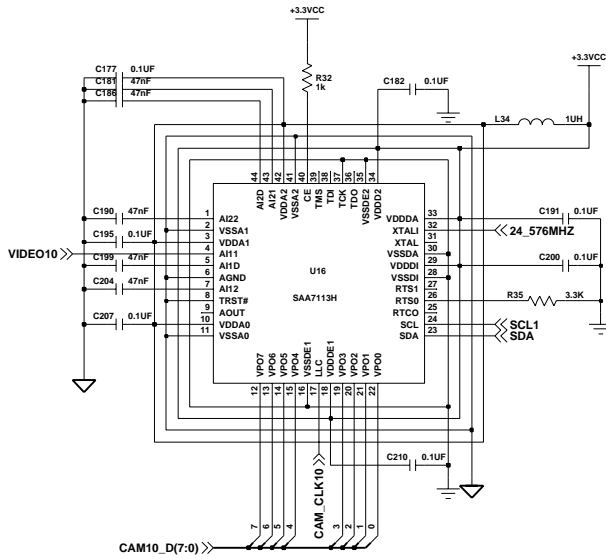
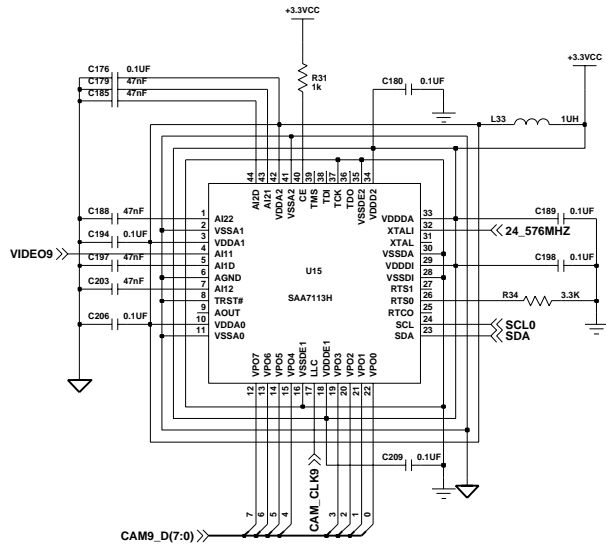
DESIGN	CJM	CUSTOMER		ITT
CHECK-1		MODEL NAME		REV.
CHECK-2				
DATE	2003-06-05	UPDATE		STEP
REMARK				SHEET 5
GLOBAL TECH				



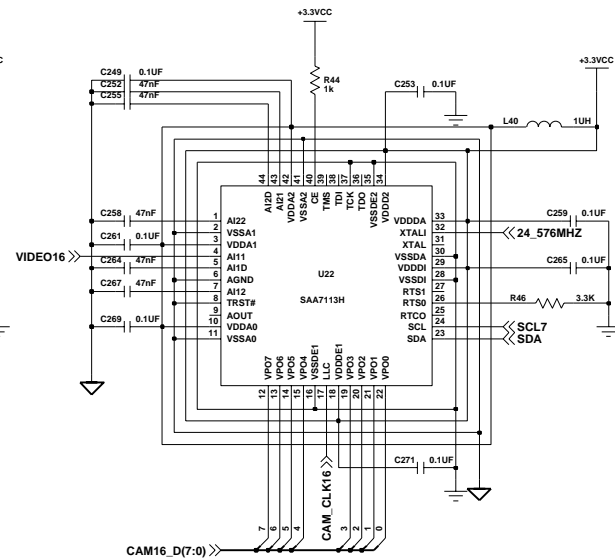
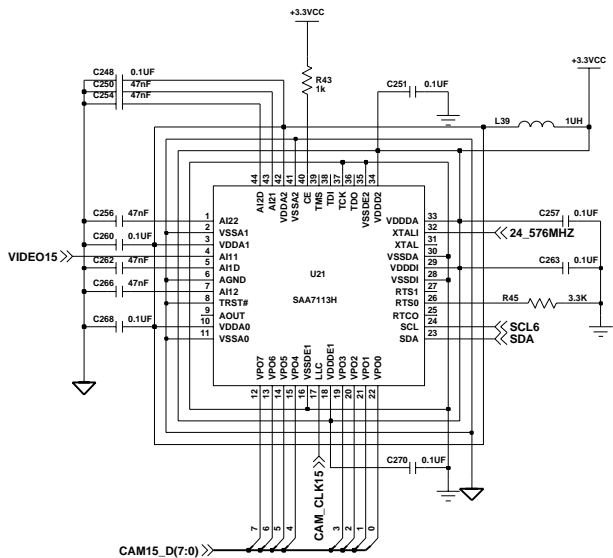
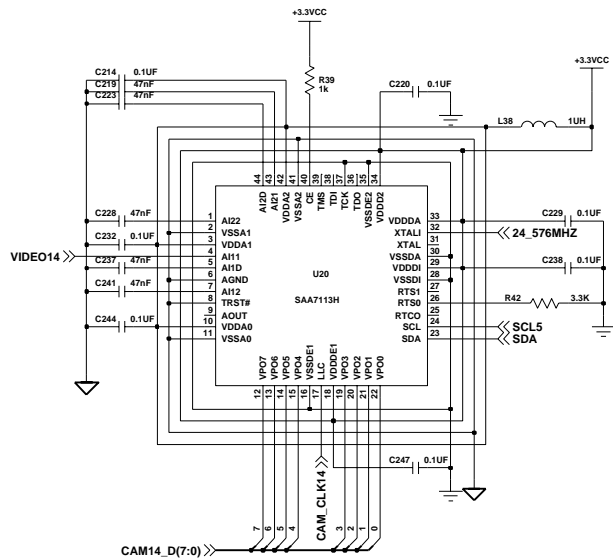
DESIGN	CJM	CUSTOMER		ITT
CHECK-1		MODEL NAME		REV.
CHECK-2				
DATE	2003-06-05	UPDATE		STEP
REMARK				SHEET 6
GLOBAL TECH				



DESIGN	CJM	CUSTOMER		ITT
CHECK-1		MODEL NAME		REV.
CHECK-2				
DATE	2003-06-05	UPDATE		STEP
REMARK				SHEET 7
GLOBAL TECH				



DESIGN	CJM	CUSTOMER	ITT	
CHECK-1		MODEL NAME		REV.
CHECK-2				
DATE	2003-06-05	UPDATE		STEP
REMARK			SHEET	8
GLOBAL TECH				



DESIGN	CJM	CUSTOMER		ITT
CHECK-1		MODEL NAME		REV.
CHECK-2				
DATE	2003-06-05	UPDATE		STEP
REMARK				SHEET 9
GLOBAL TECH				