



V6

Antenna
WAT100



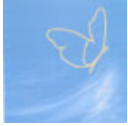


WAT100: Antenna for input module



Fig. 1: WAT100

Contents	Page
Purpose and short description	4
Technical data	4
Ordering data	5
Installing Instructions	6



Antenna WAT100 Technical Description

V 6

Purpose and short description

The WAT100 antenna transmits and receives the signals exchanged between the input module and the wireless proximity switches.

For each input module, two antennas with different polarization (WAT100-R and WAT100-L) are connected. The connection is made by one antenna cable each (WAC100-N03 or WAC100-N05).

For the wall and mast assembly of the antenna there is the antenna support (WAM100-N), which permits a swivelling of the antenna for accurate adjustment also after the assembly.

Technical data

WAT100-R, WAT100-L

Frequency range	2.3 ... 2.5 GHz
Polarization	
WAT100-R	circular left polarized
WAT100-L	circular right polarized
Gain	8.5 dBi
3 dB beamwidth, horizontal	70°
3 dB beamwidth, vertical	65°
Max. power	75 W (CW) at 25 °C
Impedance	50 Ω
Operating temperature	-40 °C ... +80 °C
Storage temperature	-40 °C ... +80 °C
Degree of protection according to IEC 60529	IP54
Housing material	
Antenna back	ASA and aluminium, colour: RAL 7042 (dark-gray)
Antenna body	ASA, colour: RAL 7035 (light-gray)
Dimensions (width x height x depth)	101 mm x 95 mm x 32 mm
Weight	100 g
Connection	SMA female

WAC100-N03, WAC100-N05

Cable construction	Material	Diameter
Inner conductor	CuAg	1.00 mm
Dielectric	SPEX	3.00 mm
1. outer conductor	CuAg network	3.60 mm
2. outer conductor	CuAg network	4.15 mm
cable sheath	RADOX 125, colour: RAL 9005 (black)	4.95 mm
Impedance	50 Ω +/-2 Ω	
Capacity	95.0 pF/m	
Signal delay	4.75 ns/m	
Min. shielding	> 81 dB (up to 3 GHz)	
Isolation resistance	> 10,000 MΩ/m	
Material	aluminium, steel	



Technical data

WAC100-N03, WAC100-N05 (continuation)

Operating temperature	-40 °C ... +105 °C
Storage temperature	-40 °C ... +105 °C
Min. bending radius	static: 20 mm; repeated bending: 40 mm
Halogen-free	Yes, according to IEC 60754
Flame protection	according to IEC 60332-2; UL 1581 - §1100
Length	
WAC100-N03	3 m
WAC100-N05	5 m
Weight	
WAC100-N03	370 g
WAC100-N05	600 g
Connection	SMA male both sides

WAM100-N

Weight	95 g
Material	aluminium, steel

Ordering data

Type	Designation	Ordering number
WAT100-R	Antenna for input module, right-handed circular polarization	1SAF900600R0001
EAN number	4013614365935	
WAT100-L	Antenna for input module, left-handed circular polarization	1SAF900600R0002
EAN number	4013614365966	
Accessories		
WAC100-N03	Antenna cable, 3 m, male SMA connection on both sides	1SAF900600R1030
EAN number	4013614365973	
WAC100-N05	Antenna cable, 5m, male SMA connection on both sides	1SAF900600R1050
EAN number	4013614365980	
WAM100-N	Antenna holder for wall and mast mounting	1SFA900900R0001
EAN number	4013614365997	

de **Montageanweisung**
 en **Installing Instructions**
 fr **Notice de montage**
 it **Istruzioni di montaggio**
 es **Instrucciones de montaje**
 sv **Istallation och skötsel**

WAT 100

2CDC142013M5501

ABB STOTZ-KONTAKT GmbH
 Postfach 10 16 80, D – 69006 Heidelberg
 Telefon (06221)701-1444
 Telefax (06221)701-1382
 Internet: <http://www.abb.de/stotz-kontakt>
 desst.helpline@de.abb.com



de **⚠ WARNING!**

Vorsicht bei Arbeiten in der Höhe!
 Leitern immer absichern!
 Schrauben immer fest anziehen!
 Lüftungsschlitze nie verschliessen!

fr **⚠ AVERTISSEMENT!**

Faire attention lors de travail en hauteur!
 Toujours fixer les échelles!
 Serrer correctement les vis de fixation!
 Ne pas obturer les ouies de ventilation!

es **⚠ ADVERTENCIA!**

Tenga cuidado al trabajar a ciertas alturas!
 Asegure siempre la escalera!
 Apriete bien todos los tornillos!
 Nunca cierre los huecos para drenaje!

en **⚠ WARNING!**

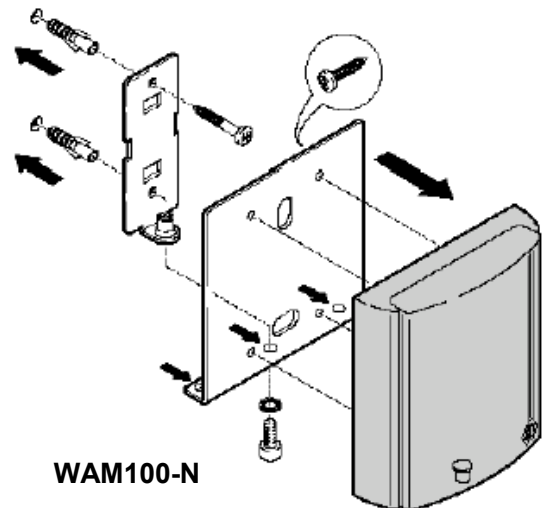
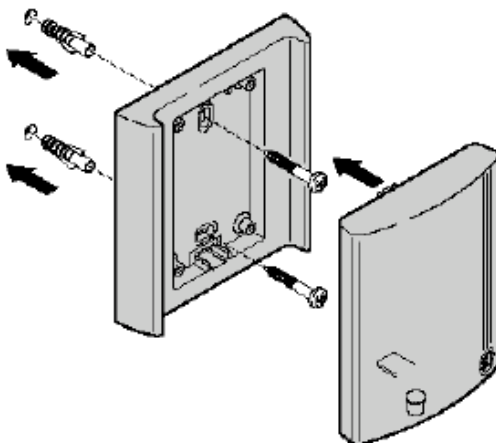
Be careful when working at height!
 Always secure ladders!
 Always tighten screws!
 Never close the drainage holes!

it **⚠ AVVERTENZE!**

Attenzione durante i lavori quando sospesi da terra!
 Scale sempre in posizione sicura!
 Viti sempre correttamente serrate!
 Mai chiudere le feritoie drenaggio ariate!

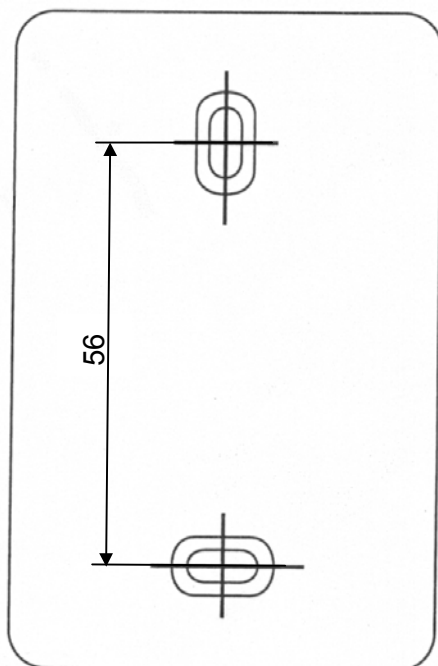
sv **⚠ VARNING!**

Var aktsam vid arbete i hög höjd!
 Säkra alltid stegen!
 Dra åt åt alla skruvar!
 Täpp aldrig igen dräneringshålen!

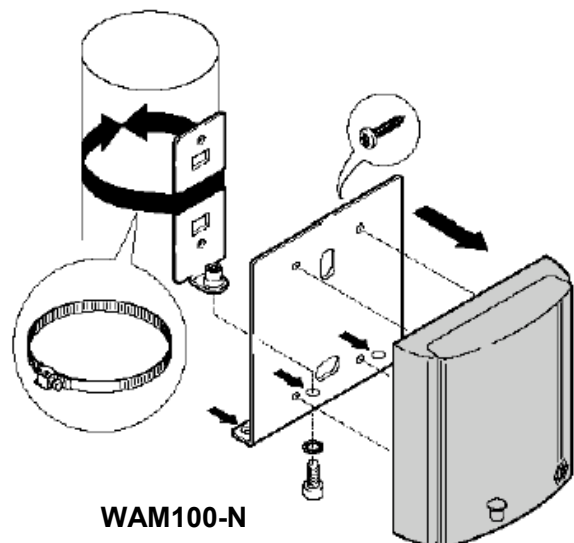


WAM100-N

Nr. 2



30 mm
 1,2 inch
 ø 6 mm
 ø 0,24 inch



WAM100-N



ABB STOTZ-KONTAKT GmbH

Eppelheimer Straße 82 Postfach 101680
69123 Heidelberg 69006 Heidelberg
Germany Germany

Telephone +49 6221 701-0
Telefax +49 6221 701-240
E-Mail desst.help@de.abb.com
Internet <http://www.abb.de/stotz-kontakt>