

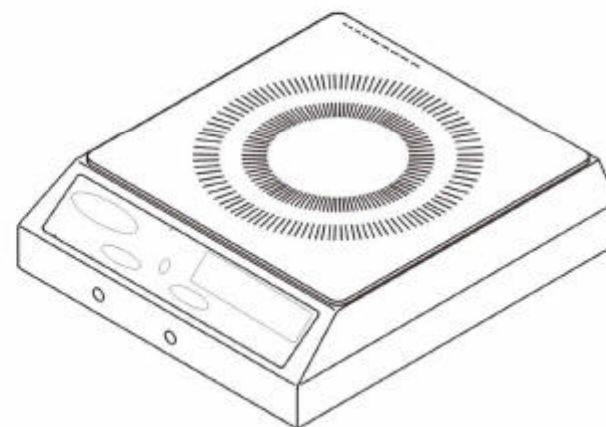
FEDERAL COMMUNICATIONS COMMISSION
RADIO FREQUENCY INTERFERENCE

This product may cause interference to radio equipment and should not be installed near maritime safety communications equipment or other critical navigation or communication equipment operating between 0.45-30 MHz.

INDUCTION COOKTOP

INSTRUCTION MANUAL SR-151F-1P

FCC ID: QUF00000001



SPECIFICATIONS

Model	SR-151F-1P
Voltage	120V~ 50/60Hz
Consumption	400 W
Dimension	340.4x320x83.8mm
Weight	5.5Kg
Power Range	200~400 W
Cord Length	2.1M
PROTECTION DESIGNS	Overheat Protection . Automatic Hazard Detection . Circuit Protection Sensor.High Voltage .20A Fuse . Small Object Heat Prevention . Thermostat . Pan Material Detection

 **SUNPENTOWN ELECTRIC CO.,LTD.**

N o. 4 Kung Chien North Rd., Chi-Tu, Keelung.

Taiwan, R.O.C.

TEL: +886-2-24517008

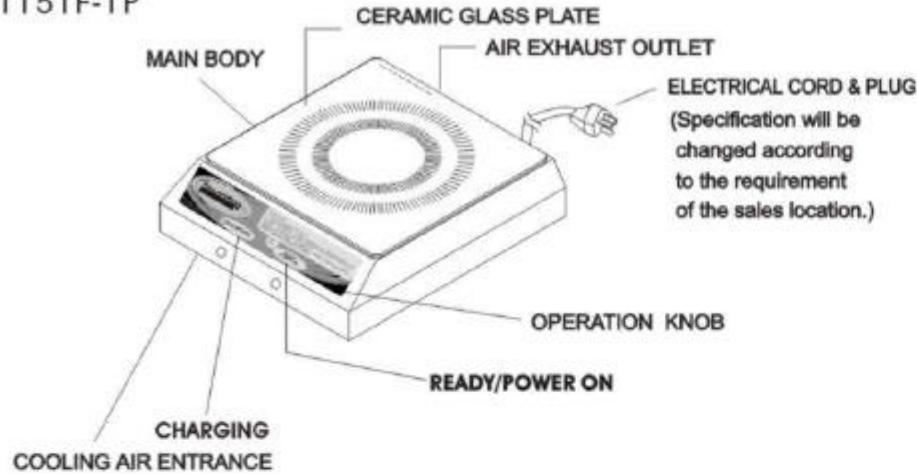
FAX: +886-2-24525019

Instruction Manual

Please read all instruction thoroughly before using this product.

MAIN PARTS/FUNCTIONS

SR-1151F-1P

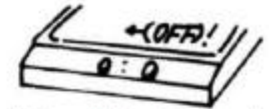


- (b) Place cooker on a flat surface, but keep away from the wall or other articles. Leave at least 2 inches of side space, 6 inches of rear space.



When the air entrance or the air outlet is blocked, the internal temperature of the cooker rises and may automatically shut off during cooking.

- (d) Remember to turn off cooker after use.



If not, the ventilator will continue to operate, resulting in energy-loss. (When turned off, fan will remain on for 3 minutes before automatically shutting off.)

HOW TO USE

Instructions

1. Press on/off button to turn unit on.
2. Place SmartBag™ on unit. Green light goes out and Red light comes on. This indicates CHARGING is in progress. Within 3 minutes, the Red CHARGING light goes out. The Green READY light comes on.

SPECIAL NOTE: 2 Beeps - Unit is READY . 3 Beeps - Check bag placement.
5 Beeps - Automatic safety shutoff occurs

SAFETY PRECAUTIONS

- (a) Do not touch the top plate immediately after use as it retains heat from pan.



- (e) Do not



The water entering the air entrance or outlet may cause damage to the cooker.

- (c) Do not cook with aluminum-foil.



- (g) Do not strike or damage the ceramic glass plate.



If the plate is cracked, pull out the plug immediately.

KEY POINTS BEFORE USING THE COOKER

- (a) Use individual socket.



If you use an extension, the socket or current might be overloaded.

- (c) Never heat an empty cookware.



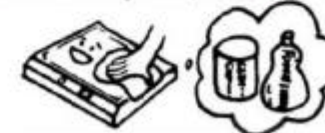
Please do not cook an empty pan. This will cause overheat and the cooker will cease to operate and cause possible damage to the product.

CLEANING MAINTENANCE

Pull out the plug before maintenance.

Top plate

Wipe off plate with moistened cloth. To remove tough stains, use cleaning compound or polish first, then wipe it off with moistened cloth.



Body of the cooker

Wipe off the body & adjustment lever with dry soft cloth to remove tough stains, use neutral liquid cleaner.