

FCC Test Report

FCC ID: QRP-FP-016

Product: Mobile Phone
Trade Mark: AZUMI
Model Number: SA4
Family Model: N/A
Report No.: S25031902001001

Prepared for

Azumi S.A

Avenida Aquilino de la Guardia con Calle 47, PH Ocean Plaza, Piso 16 of.
16-01, Marbella, Ciudad de Panama, Panama

Prepared by

Shenzhen NTEK Testing Technology Co., Ltd.
No. 24 Xinfu East Road, Xiangshan Community, Xinqiao Street, Baoar
District, Shenzhen, Guangdong, People's Republic of China
Tel. 0755-2320 0050 Website: <http://www.ntek.org.cn>

TEST RESULT CERTIFICATION

Applicant's name.....: Azumi S.A
Address.....: Avenida Aquilino de la Guardia con Calle 47, PH Ocean Plaza,
Piso 16 of. 16-01, Marbella, Ciudad de Panama, Panama
Manufacturer's Name.....: AZUMI HK LTD
Address.....: FLAT/RM 1202, 12/FGOLDEN STAR BUILDING, 20 LOCKHART
ROAD, WANCHAI, HK, China

Product description

Product name.....: Mobile Phone
Model and/or type reference : SA4
Family Model.....: N/A

Standards.....: FCC Part15B
ANSI C63.4:2014

This device described above has been tested by NTEK, and the test results show that the
equipment under test (EUT) is in compliance with Part 15 of FCC Rules. And it is applicable only
to the tested sample identified in the report.

This report shall not be reproduced except in full, without the written approval of NTEK, this
document may be altered or revised by NTEK, personnel only, and shall be noted in the revision
of the document.

Test Sample Number.....: S250319020002
Date of Test:
Date (s) of performance of tests.....: Mar. 19, 2025 ~ Apr. 21, 2025
Date of Issue: Apr. 21, 2025
Test Result: Pass

Prepared By: Allen Liu (Project Engineer)

Reviewed By: Aaron Cheng (Supervisor)

Approved By: Alex Li (Manager)

Table of Contents

Page

1 . TEST SUMMARY	4
1.1 TEST FACILITY	5
1.2 MEASUREMENT UNCERTAINTY	5
2 . GENERAL INFORMATION	6
2.1 GENERAL DESCRIPTION OF EUT	6
2.2 DESCRIPTION OF TEST SETUP	8
2.3 DESCRIPTION TEST PERIPHERAL AND EUT PERIPHERAL	9
2.4 MEASUREMENT INSTRUMENTS LIST	10
3 . EMC EMISSION TEST	11
3.1 CONDUCTED EMISSION MEASUREMENT	11
3.1.1 POWER LINE CONDUCTED EMISSION	11
3.1.2 TEST PROCEDURE	12
3.1.3 TEST SETUP	12
3.1.4 EUT OPERATING CONDITIONS	12
3.1.5 TEST RESULTS	13
3.2 RADIATED EMISSION MEASUREMENT	15
3.2.1 LIMITS OF RADIATED EMISSION MEASUREMENT	15
3.2.2 TEST PROCEDURE	15
3.2.3 TEST SETUP	16
3.2.4 TEST RESULTS	17
3.2.5 TEST RESULTS(1000~18000MHz)	19

1. TEST SUMMARY

Test procedures according to the technical standards:

EMC Emission				
Standard	Test Item	Limit	Judgment	Remark
FCC Part15B ANSI C63.4: 2014	Conducted Emission	Class B	PASS	
	Radiated Emission	Class B	PASS	

NOTE:

- (1) 'N/A' denotes test is not applicable in this Test Report
- (2) For client's request and manual description, the test will not be executed.

1.1 TEST FACILITY

Shenzhen NTEK Testing Technology Co., Ltd
 Add. : No. 24 Xinfu East Road, Xiangshan Community, Xinqiao Street, Baoan District,
 Shenzhen, Guangdong, People's Republic of China.

IC-Registration The Certificate Registration Number is 9270A.
 CAB identifier:CN0074
 FCC- Accredited Test Firm Registration Number: 463705.
 Designation Number: CN1184

1.2 MEASUREMENT UNCERTAINTY

The reported uncertainty of measurement $y \pm U$, where expanded uncertainty U is based on a standard uncertainty multiplied by a coverage factor of $k=2$, providing a level of confidence of approximately 95 %.

A. Conducted Measurement :

Test Site	Method	Measurement Frequency Range	U, (dB)	NOTE
NTEKC01	ANSI	150 KHz ~ 30MHz	±2.80dB	

B. Radiated Measurement :

Test Site	Method	Measurement Frequency Range	U, (dB)	NOTE
NTEKA01	ANSI	30MHz~1000MHz	±2.64dB	
		1GHz~6GHz	±2.40dB	
		6GHz~26.5GHz	±2.52dB	

2. GENERAL INFORMATION

2.1 GENERAL DESCRIPTION OF EUT

Equipment	Mobile Phone	
Trade Mark	AZUMI	
Model Name	SA4	
Family Model	N/A	
Model Difference	N/A	
Product Description	Connecting I/O port:	Type-C USB, Earphone
	Operation Frequency:	2.4GHz
	Based on the application, features, or specification exhibited in User's Manual, the EUT is considered as an ITE/Computing Device. More details of EUT technical specification, please refer to the User's Manual.	
Adapter	INPUT: AC 100-240V~50-60Hz 0.15A OUTPUT: DC 5.0V ---550mA	
Battery	DC 3.7V, 1400 mAh, 5.18Wh	
Power supply	DC 3.7V from Battery or DC 5V from Adapter.	
HW Version	AZUMI_ SA4_ HW_ V001	
SW Version	AZUMI_ SA4_ CLARO_ V001	

2.1.1 DESCRIPTION OF TEST MODES

To investigate the maximum EMI emission characteristics generates from EUT, the test system was pre-scanning tested base on the consideration of following EUT operation mode or test configuration mode which possible have effect on EMI emission level. Each of these EUT operation mode(s) or test configuration mode(s) mentioned above was evaluated respectively.

Pretest Mode	Description
Model 1	USB Data Transmission
Model 2	TF card Playing
Model 3	REC
Model 4	FM

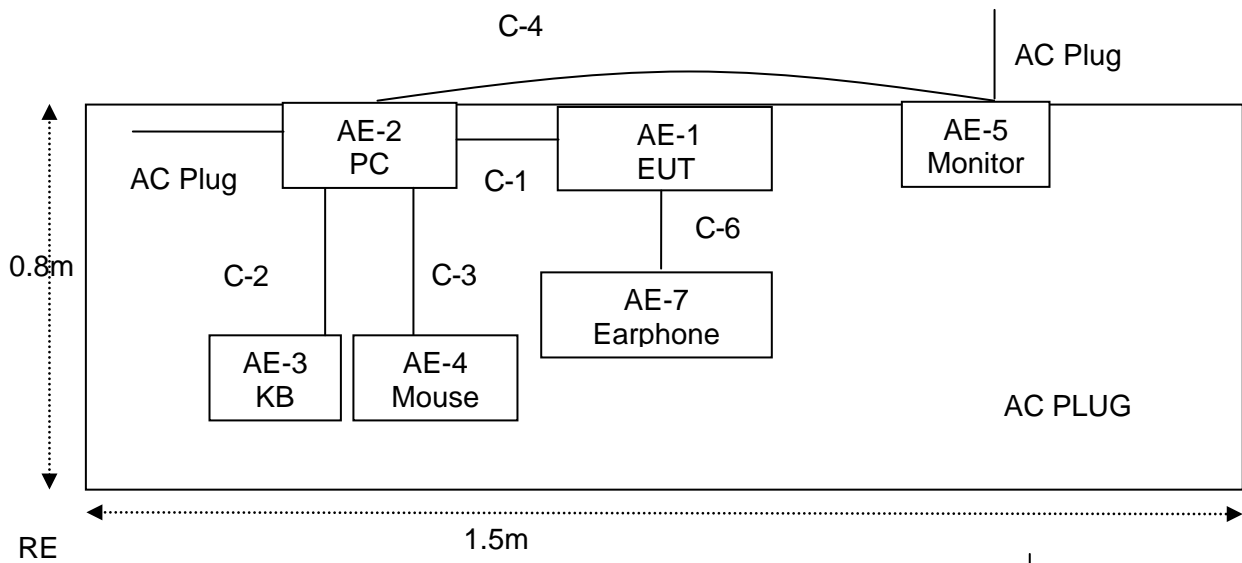
For Conducted Test	
Final Test Mode	Description
Model 1	USB Data Transmission
Model 2	TF card Playing
Model 3	REC
Model 4	FM

For Radiated Test	
Final Test Mode	Description
Model 1	USB Data Transmission
Model 2	TF card Playing
Model 3	REC
Model 4	FM

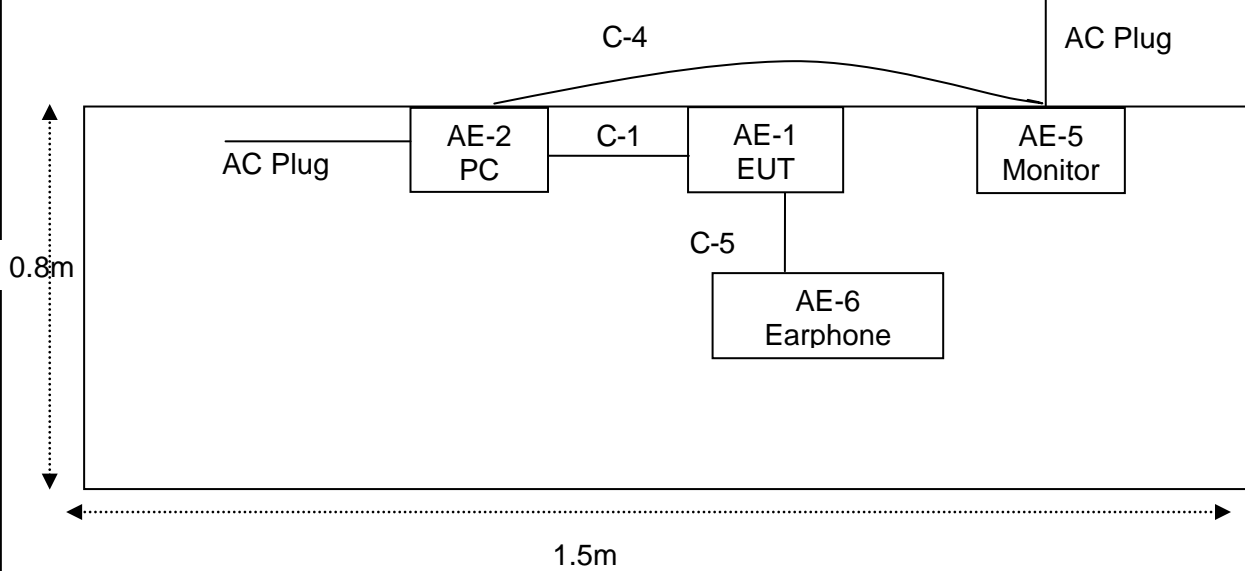
Note: Final Test Mode: Through Pre-scan, find the model 1 is the worst case. Only the worst case mode is recorded in the report.

2.2 DESCRIPTION OF TEST SETUP

CE



RE



2.3 DESCRIPTION TEST PERIPHERAL AND EUT PERIPHERAL

The EUT has been tested as an independent unit together with other necessary accessories or support units. The following support units or accessories were used to form a representative test configuration during the tests.

Item	Equipment	Brand	Model/Type No.	Series No.	Note
AE-1	Mobile Phone	AZUMI	SA4	N/A	EUT
AE-2	PC	DELL	FT4Y23X	N/A	Peripherals
AE-3	KB	N/A	N/A	N/A	Peripherals
AE-4	Mouse	N/A	N/A	N/A	Peripherals
AE-5	Monitor	N/A	N/A	N/A	Peripherals
AE-6	Earphone	N/A	N/A	N/A	Peripherals

Item	Cable Type	Shielded Type	Ferrite Core	Length	Note
C-1	USB Cable	NO	NO	1.0m	
C-2	USB Cable	NO	NO	1.2m	
C-3	USB Cable	NO	NO	1.2m	
C-4	HDMI Cable	YES	YES	1.0m	
C-5	Earphone Cable	NO	NO	1.2m	

Note:

- (1) The support equipment was authorized by Declaration of Confirmation.
- (2) For detachable type I/O cable should be specified the length in cm in 『Length』 column.
- (3) “YES” means “shielded” “with core”; “NO” means “unshielded” “without core”.

2.4 MEASUREMENT INSTRUMENTS LIST

Radiation Test equipment

Item	Kind of Equipment	Manufacturer	Type No.	Serial No.	Last calibration	Calibrated until	Calibration period
1	Spectrum Analyzer	Agilent	E4440A	MY41000130	2024.04.26	2025.04.25	1 year
2	Test Receiver	R&S	ESPI	101318	2024.04.26	2025.04.25	1 year
3	Bilog Antenna	TESEQ	CBL6111D	31216	2024.05.12	2025.05.11	1 year
4	50Ω Coaxial Switch	Anritsu	MP59B	6200983705	2024.04.26	2025.04.25	1 year
5	Spectrum Analyzer	ADVANTEST	R3132	150900201	2024.03.12 2025.03.11	2025.03.11 2026.03.10	1 year
6	Horn Antenna	EM	EM-AH-1018 0	2011071402	2024.05.12	2027.05.11	3 year
7	Horn Ant	Schwarzbeck	BBHA 9170	9170-181	2024.05.12	2027.05.11	3 year
8	Amplifier	EMC	EMC051835 SE	980246	2024.04.25	2025.04.24	1 year
9	Loop Antenna	ARA	PLA-1030/B	1029	2024.04.25	2025.04.24	1 year
10	Power Meter	DARE	RPR3006W	15100041SN O84	2024.04.25	2025.04.24	1 year
11	Power Sensor	R&S	URV4-Z4	0395.1619.0 5	2024.04.25	2025.04.24	1 year
12	Test Cable (30MHz-1GHz)	N/A	R-02	N/A	2023.05.06	2026.05.05	3 year
13	High Test Cable(1G-40G Hz)	N/A	R-03	N/A	2022.06.17	2025.06.16	3 year
14	High Test Cable(1G-40G Hz)	N/A	R-04	N/A	2023.05.06	2026.05.05	3 year
15	Test Receiver	R&S	ESCI	101160	2024.04.26	2025.04.25	1 year

AC Conduction Test equipment

Item	Kind of Equipment	Manufacturer	Type No.	Serial No.	Last calibration	Calibrated until	Calibration period
1	Test Receiver	R&S	ESCI	101160	2024.04.26	2025.04.25	1 year
2	LISN	R&S	ENV216	101313	2024.04.25	2025.04.24	1 year
3	LISN	SCHWARZBECK	NNLK 8129	8129245	2024.04.25	2025.04.24	1 year
4	50Ω Coaxial Switch	ANRITSU CORP	MP59B	6200983704	2024.04.26	2027.04.25	3 year
5	Test Cable (9KHz-30MHz)	N/A	C01	N/A	2023.05.06	2026.05.05	3 year
6	Test Cable (9KHz-30MHz)	N/A	C02	N/A	2023.05.06	2026.05.05	3 year
7	Test Cable (9KHz-30MHz)	N/A	C03	N/A	2023.05.06	2026.05.05	3 year

Note: Each piece of equipment is scheduled for calibration once a year except the Test Cable which is scheduled for calibration every 3 years.

3. EMC EMISSION TEST

3.1 CONDUCTED EMISSION MEASUREMENT

3.1.1 POWER LINE CONDUCTED EMISSION (Frequency Range 150KHz-30MHz)

FREQUENCY (MHz)	Class A (dBuV)		Class B (dBuV)	
	Quasi-peak	Average	Quasi-peak	Average
0.15 -0.5	79.00	66.00	66 - 56 *	56 - 46 *
0.50 -5.0	73.00	60.00	56.00	46.00
5.0 -30.0	73.00	60.00	60.00	50.00

Note:

- (1) The tighter limit applies at the band edges.
- (2) The limit of " * " marked band means the limitation decreases linearly with the logarithm of the frequency in the range.

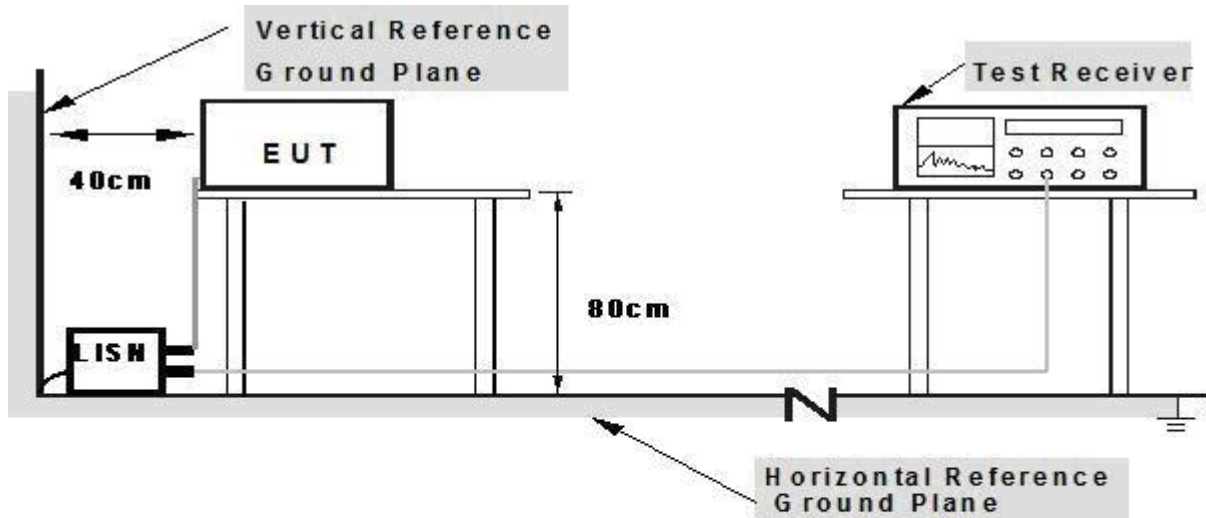
The following table is the setting of the receiver

Receiver Parameters	Setting
Attenuation	10 dB
Start Frequency	0.15 MHz
Stop Frequency	30 MHz
IF Bandwidth	9 kHz

3.1.2 TEST PROCEDURE

- a. The EUT was placed 0.8 meters from the horizontal ground plane with EUT being connected to the power mains through a line impedance stabilization network (LISN). All other support equipments powered from additional LISN(s). The LISN provide 50 Ohm/ 50uH of coupling impedance for the measuring instrument.
- b. Interconnecting cables that hang closer than 40 cm to the ground plane shall be folded back and forth in the center forming a bundle 30 to 40 cm long.
- c. I/O cables that are not connected to a peripheral shall be bundled in the center. The end of the cable may be terminated, if required, using the correct terminating impedance. The overall length shall not exceed 1 m.
- d. LISN at least 80 cm from nearest part of EUT chassis.
- e. For the actual test configuration, please refer to the related Item –EUT Test Photos.

3.1.3 TEST SETUP



- Note: 1. Support units were connected to second LISN.**
2. Both of LISNs (AMN) are 80 cm from EUT and at least 80 cm from other units and other metal planes

3.1.4 EUT OPERATING CONDITIONS

The EUT tested system was configured as the statements of 2.3 Unless otherwise a special operating condition is specified in the follows during the testing.

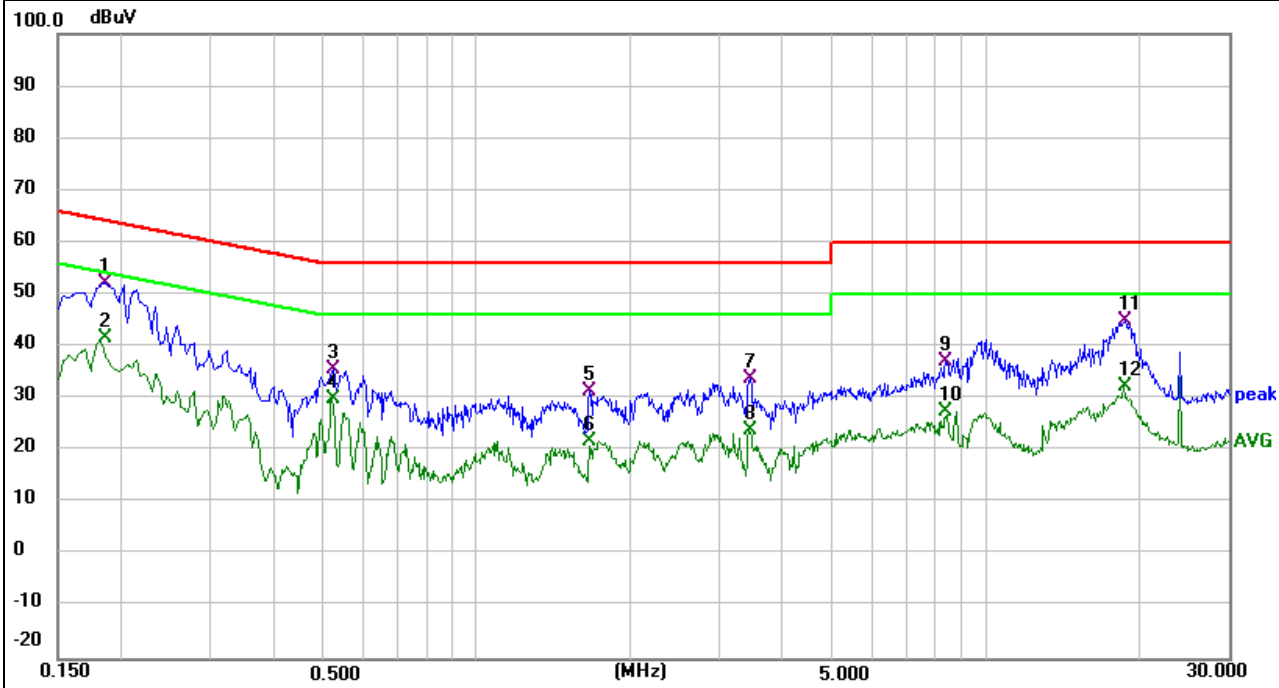
3.1.5 TEST RESULTS

EUT:	Mobile Phone	Model Name. :	SA4
Temperature:	25.2 °C	Relative Humidity:	47%
Pressure:	1010hPa	Test Date:	2025-03-21
Test Mode:	Mode 1	Phase :	L
Test Voltage:	DC 5V from PC AC 120V/60Hz		

Frequency (MHz)	Reading Level (dBμV)	Correct Factor (dB)	Measurement (dBμV)	Limits (dBμV)	Margin (dB)	Remark
0.1860	42.22	10.07	52.29	64.21	-11.92	QP
0.1860	31.48	10.07	41.55	54.21	-12.66	AVG
0.5220	25.06	10.72	35.78	56.00	-20.22	QP
0.5220	19.20	10.72	29.92	46.00	-16.08	AVG
1.6700	18.33	13.12	31.45	56.00	-24.55	QP
1.6700	8.88	13.12	22.00	46.00	-24.00	AVG
3.4380	24.01	9.93	33.94	56.00	-22.06	QP
3.4380	14.00	9.93	23.93	46.00	-22.07	AVG
8.3340	26.63	10.60	37.23	60.00	-22.77	QP
8.3340	16.88	10.60	27.48	50.00	-22.52	AVG
18.8020	32.44	12.54	44.98	60.00	-15.02	QP
18.8020	19.71	12.54	32.25	50.00	-17.75	AVG

Remark:

1. All readings are Quasi-Peak and Average values.
2. Factor = Insertion Loss + Cable Loss.

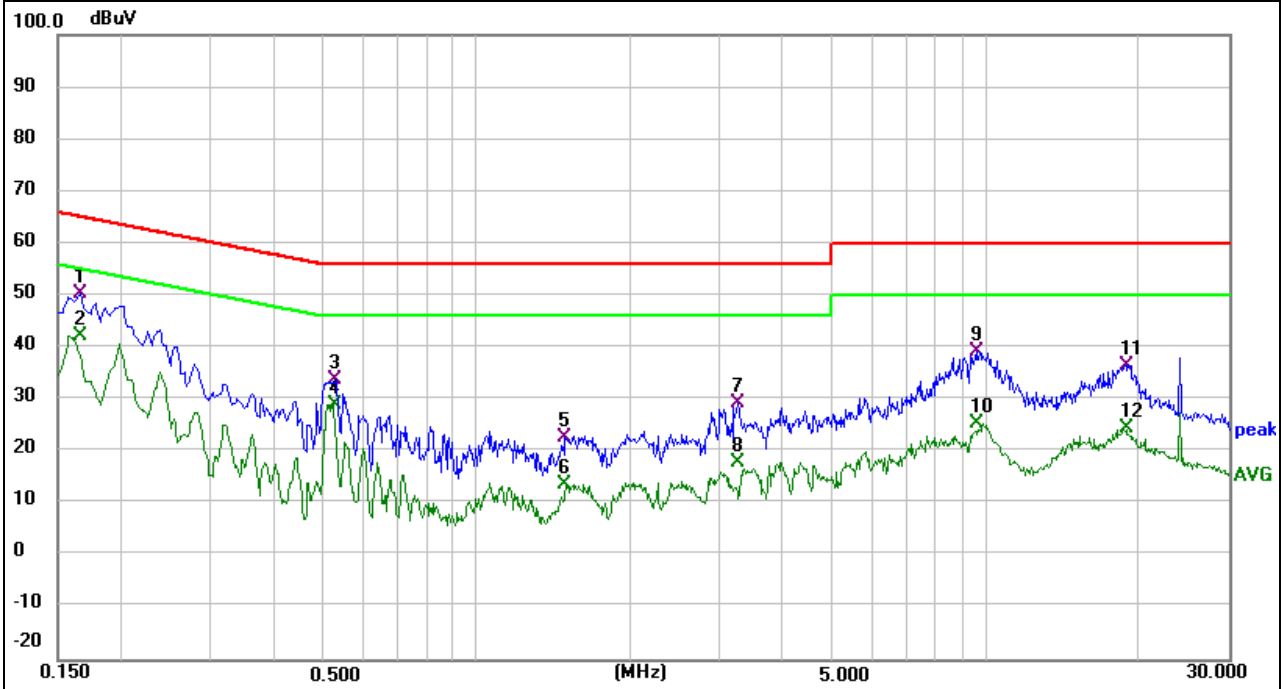


EUT:	Mobile Phone	Model Name. :	SA4
Temperature:	25.2 °C	Relative Humidity:	47%
Pressure:	1010hPa	Test Date:	2025-03-21
Test Mode:	Mode 1	Phase :	N
Test Voltage:	DC 5V from PC AC 120V/60Hz		

Frequency (MHz)	Reading Level (dBμV)	Correct Factor (dB)	Measurement (dBμV)	Limits (dBμV)	Margin (dB)	Remark
0.1660	40.76	9.47	50.23	65.16	-14.93	QP
0.1660	32.84	9.47	42.31	55.16	-12.85	AVG
0.5299	23.93	10.03	33.96	56.00	-22.04	QP
0.5299	19.04	10.03	29.07	46.00	-16.93	AVG
1.4940	10.85	12.01	22.86	56.00	-33.14	QP
1.4940	1.79	12.01	13.80	46.00	-32.20	AVG
3.2620	20.29	9.16	29.45	56.00	-26.55	QP
3.2620	8.88	9.16	18.04	46.00	-27.96	AVG
9.6020	29.19	10.02	39.21	60.00	-20.79	QP
9.6020	15.57	10.02	25.59	50.00	-24.41	AVG
18.8700	24.94	11.75	36.69	60.00	-23.31	QP
18.8700	12.89	11.75	24.64	50.00	-25.36	AVG

Remark:

1. All readings are Quasi-Peak and Average values.
2. Factor = Insertion Loss + Cable Loss.



3.2 RADIATED EMISSION MEASUREMENT

3.2.1 LIMITS OF RADIATED EMISSION MEASUREMENT

FREQUENCY (MHz)	Class A (at 10m)	Class B (at 3m)
	dBuV/m	dBuV/m
30 ~ 88	39.0	40.0
88 ~ 216	43.5	43.5
216 ~ 960	46.5	46.0
Above 960	49.5	54.0

Notes:

- (1) The limit for radiated test was performed according to as following:
FCC PART 15B /ICES-003.
- (2) The tighter limit applies at the band edges.
- (3) Emission level (dBuV/m)=20log Emission level (uV/m).

3.2.2 TEST PROCEDURE

Test Arrangement for Radiated Emissions up to 1 GHz

- a. The EUT was placed on the top of a rotating table 0.8 meters above the ground at an accredited test facility. The table was rotated 360 degrees to determine the position of the highest radiation.
- b. The EUT was set 3 meters away from the interference-receiving antenna, which was mounted on the top of a variable-height antenna tower.
- c. The antenna is a broadband antenna, and its height is varied from one meter to four meters above the ground to determine the maximum value of the field strength. Both horizontal and vertical polarizations of the antenna are set to make the measurement.
- d. For each suspected emission, the EUT was arranged to its worst case and then the antenna was tuned to heights from 1 meter to 4 meters and the rotatable table was turned from 0 degrees to 360 degrees to find the maximum reading.

Note: The resolution bandwidth and video bandwidth of test receiver/spectrum analyzer is 120kHz for quasi-peak detection (QP) at frequency below 1GHz.

Test Arrangement for Radiated Emissions above 1 GHz.

- a. The EUT was placed on the top of a rotating table 0.8 meters above the ground at an accredited chamber room. The table was rotated 360 degrees to determine the position of the highest radiation.
- b. The EUT was set 3 meters away from the interference-receiving antenna, which was mounted on the top of a variable-height antenna tower.
- c. The height of antenna can be varied from one meter to four meters, the height of adjustment depends on the EUT height and the antenna 3dB beamwidth both, to detect the maximum value of the field strength.Both horizontal and vertical polarizations of the antenna are set to make the measurement.
- d. For each suspected emission, the EUT was arranged to its worst case and then the antenna was tuned to heights and the rotatable table was turned from 0 degrees to 360 degrees to find the maximum reading.

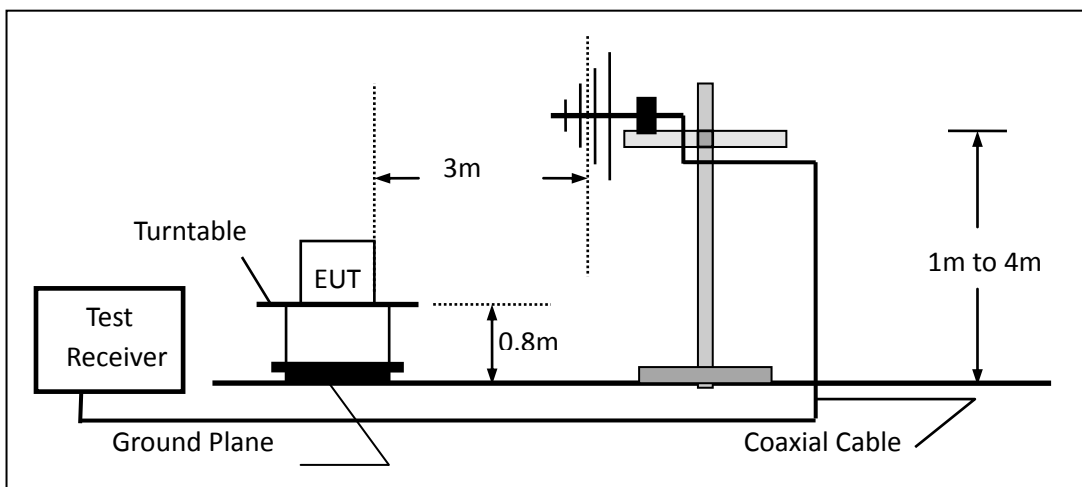
Note: For the hand-held device, the EUT should be measured for all 3 axes and only the worst case is recorded in the report

During the radiated emission test, according to ANSI C63.4-2014(4.2), the Spectrum Analyzer was set with the following configurations:

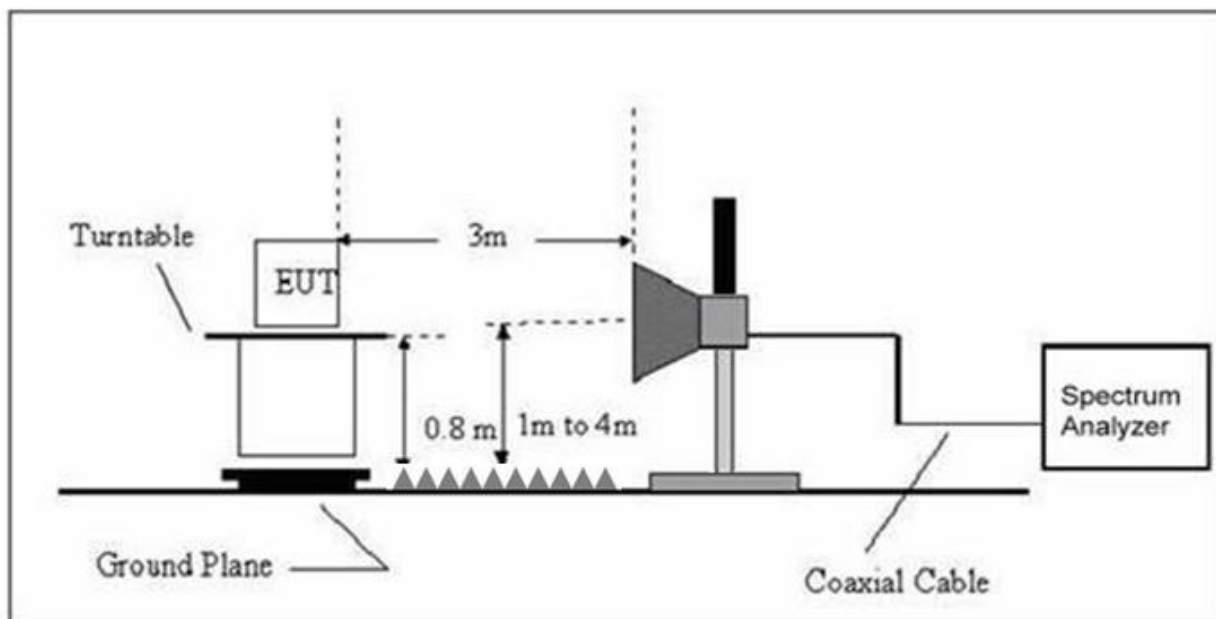
Frequency Band (MHz)	Function	Resolution bandwidth	Video Bandwidth
30 to 1000	QP	120 kHz	300 kHz
Above 1000	Peak	1 MHz	3 MHz
	Avg	1 MHz	10 Hz

3.2.3 TEST SETUP

For Radiated Emission 30~1000MHz



(B) Radiated Emission Test Set-Up Frequency Above 1GHz



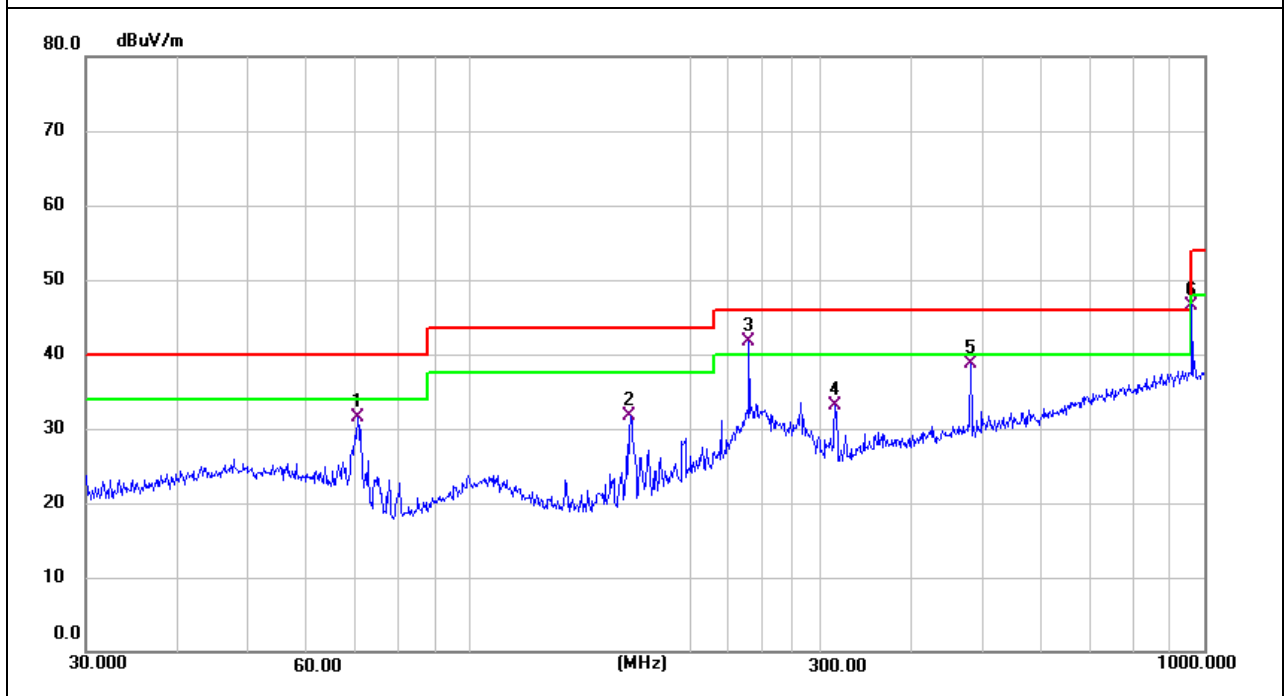
3.2.4 TEST RESULTS

TEST RESULTS (30~1000 MHz)

EUT:	Mobile Phone	Model Name:	SA4
Temperature:	25.4 °C	Relative Humidity:	53%
Pressure:	1010 hPa	Test Date :	2025-04-17
Test Mode :	Mode 1	Polarization :	Horizontal
Test Power :	DC 5V from PC AC 120V/60Hz		

Polar (H/V)	Frequency	Meter Reading	Factor	Emission Level	Limits	Margin	Remark
	(MHz)	(dBuV)	(dB)	(dBuV/m)	(dBuV/m)	(dB)	
H	70.3365	15.52	16.00	31.52	40.00	-8.48	QP
H	165.4866	16.49	15.28	31.77	43.50	-11.73	QP
H	239.9874	22.56	19.10	41.66	46.00	-4.34	QP
H	314.3763	12.29	20.76	33.05	46.00	-12.95	QP
H	480.5276	14.54	24.26	38.80	46.00	-7.20	QP
H	962.1621	15.21	31.39	46.60	54.00	-7.40	QP

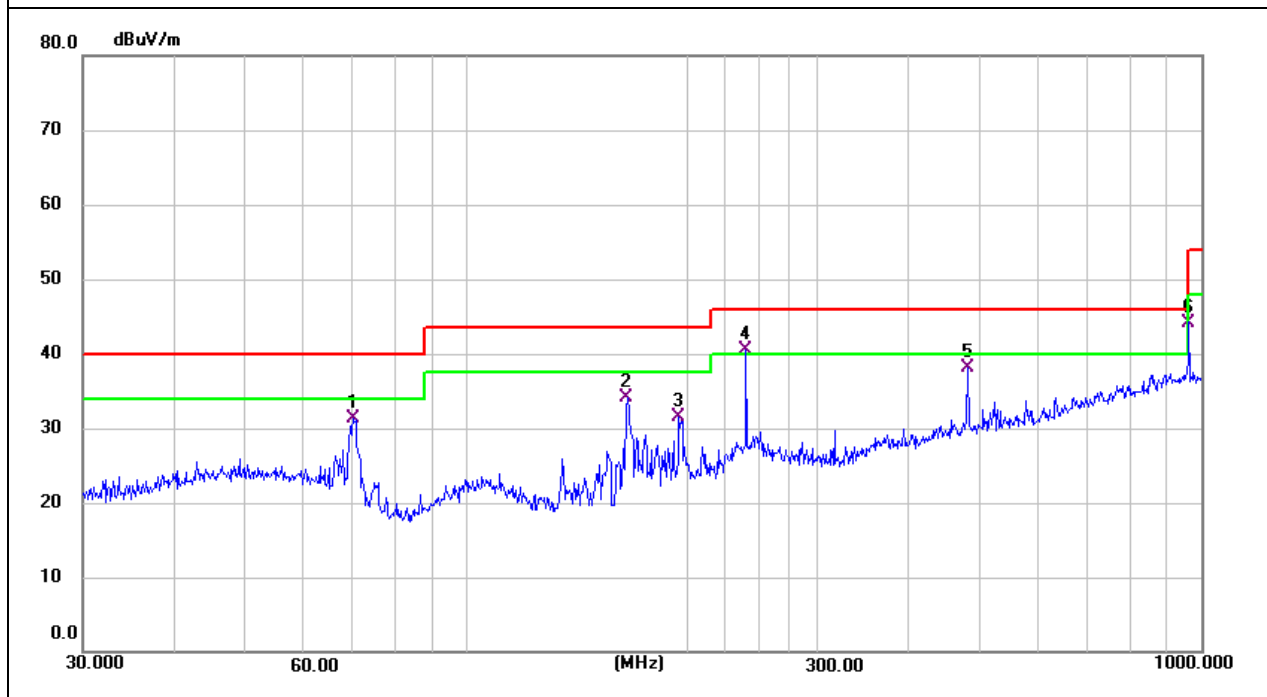
Remark:
Factor = Antenna Factor + Cable Loss - Amplifier.



EUT:	Mobile Phone	Model Name :	SA4
Temperature:	25.4 °C	Relative Humidity:	53%
Pressure:	1010 hPa	Test Date :	2025-04-17
Test Mode :	Mode 1	Polarization :	Vertical
Test Power :	DC 5V from PC AC 120V/60Hz		

Polar (H/V)	Frequency	Meter Reading	Factor	Emission Level	Limits	Margin	Remark
	(MHz)	(dBuV)	(dB)	(dBuV/m)	(dBuV/m)	(dB)	
V	70.0903	15.11	16.15	31.26	40.00	-8.74	QP
V	165.4866	18.79	15.28	34.07	43.50	-9.43	QP
V	194.4534	13.87	17.65	31.52	43.50	-11.98	QP
V	239.9874	21.37	19.10	40.47	46.00	-5.53	QP
V	480.5276	13.91	24.26	38.17	46.00	-7.83	QP
V	961.3361	12.81	31.39	44.20	54.00	-9.80	QP

Remark:
Factor = Antenna Factor + Cable Loss - Amplifier.



3.2.5 TEST RESULTS(1000~18000MHz)

EUT:	Mobile Phone	Model Name :	SA4
Temperature:	25.8 °C	Relative Humidity:	53%
Pressure:	1010 hPa	Test Date :	2025-03-22
Test Mode :	Mode 3		
Test Power :	DC 5V from PC AC 120V/60Hz		

All the modulation modes have been tested, and the worst result was report as below:

Polar (H/V)	Frequency	Reading	Correct	Result	Limit	Over Limit	Remark
	(MHz)	(dBuV/m)	dB/m	(dBuV/m)	(dBuV/m)	(dB)	
V	2462.000	49.33	-5.12	44.21	74.00	-29.79	peak
V	2462.000	38.42	-5.12	33.30	54.00	-20.70	AVG
V	5250.000	47.99	2.17	50.16	74.00	-23.84	peak
V	5250.000	38.08	2.17	40.25	54.00	-13.75	AVG
V	8497.000	45.94	8.14	54.08	74.00	-19.92	peak
V	8497.000	32.88	8.14	41.02	54.00	-12.98	AVG
V	11115.000	46.10	12.07	58.17	74.00	-15.83	peak
V	11115.000	30.58	12.07	42.65	54.00	-11.35	AVG
V	14481.000	42.93	14.89	57.82	74.00	-16.18	peak
V	14481.000	28.80	14.89	43.69	54.00	-10.31	AVG
V	16640.000	45.25	13.91	59.16	74.00	-14.84	peak
V	16640.000	30.67	13.91	44.58	54.00	-9.42	AVG
H	2462.000	50.65	-5.12	45.53	74.00	-28.47	peak
H	2462.000	40.42	-5.12	35.30	54.00	-18.70	AVG
H	5250.000	46.30	2.17	48.47	74.00	-25.53	peak
H	5250.000	34.33	2.17	36.50	54.00	-17.50	AVG
H	7817.000	45.65	7.27	52.92	74.00	-21.08	peak
H	7817.000	32.83	7.27	40.10	54.00	-13.90	AVG
H	10180.000	46.37	10.85	57.22	74.00	-16.78	peak
H	10180.000	30.65	10.85	41.50	54.00	-12.50	AVG
H	10945.000	46.23	12.16	58.39	74.00	-15.61	peak
H	10945.000	31.44	12.16	43.60	54.00	-10.40	AVG
H	15161.000	44.90	14.05	58.95	74.00	-15.05	peak
H	15161.000	31.25	14.05	45.30	54.00	-8.70	AVG

Remark:

Result = Reading + Correct, Over Limit= Result - Limit

Note: Only the worst results data points are reported in the report.

Other emissions are attenuated 20dB below the limit that does not recorded in the report.

END OF REPORT