

# SMARTWIRES

REIMAGINE THE GRID™

SmartBypass™

Model: 2000-XX

Serial No: JJYY-NNN-AA-SBM-0R

Made in USA Approximate Mass: 675 kg Mfg.

Date: Month, Year Frequency: 60 Hz

FCC ID: QPS01005

Contains FCC ID: RI7HE910NAV2

This device complies with part 15 of the FCC Rules. Operation is subject to the following two conditions:

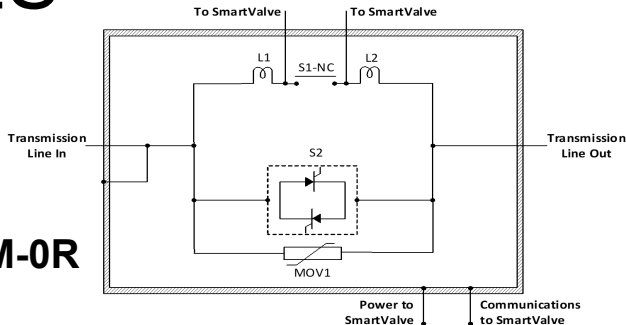
- (1) This device may not cause harmful interference, and
- (2) This device must accept any interference received, including interference that may cause undesired operation.



Patents Pending

SmartBypass™

Connection Diagram:



Max. Continuous Current: 900 A RMS

Emergency Overload Current 2 hrs: 990 A RMS

Max. Fault Current @ 0.75 s duration: 12 kA RMS

Nominal Operating Voltage: 115 kV L-L RMS



JJYY-NNN-AA-SBM-0R

Smart Wires Inc 3292 Whipple Rd, Union City, CA 94587 USA