

Label Information for RADARPILOT Platinum

The transceiver of the RADARPILOT Platinum is labeled on the chassis as follows:

**TRANSCIVER PLATINUM**  
12,5 kW; X-BAND  
**NG3050 G010**  
390006576  
Ser.-No. 302 / 30063  
  
FCC ID: QO7NG3050X12-5KW  
  
Made in Germany  


**TRANSCIVER PLATINUM**  
25 kW; X-BAND  
**NG3050 G015**  
390006577  
Ser.-No. 303 / 30115  
  
FCC ID: QO7NG3050X25KW  
  
Made in Germany  


**TRANSCIVER PLATINUM**  
30 kW; S-BAND  
**NG3051 G010**  
390006394  
Ser.-No. 320 / 30113  
  
FCC ID: QO7NG3051S30KW  
  
Made in Germany  

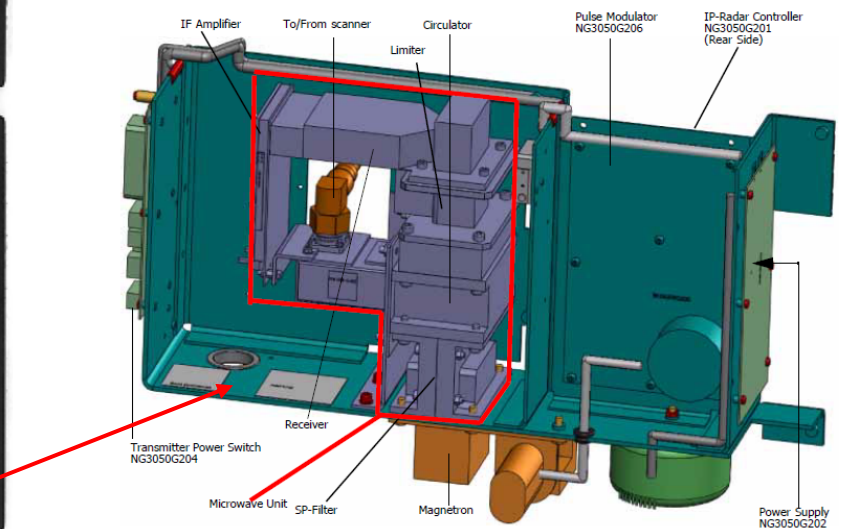
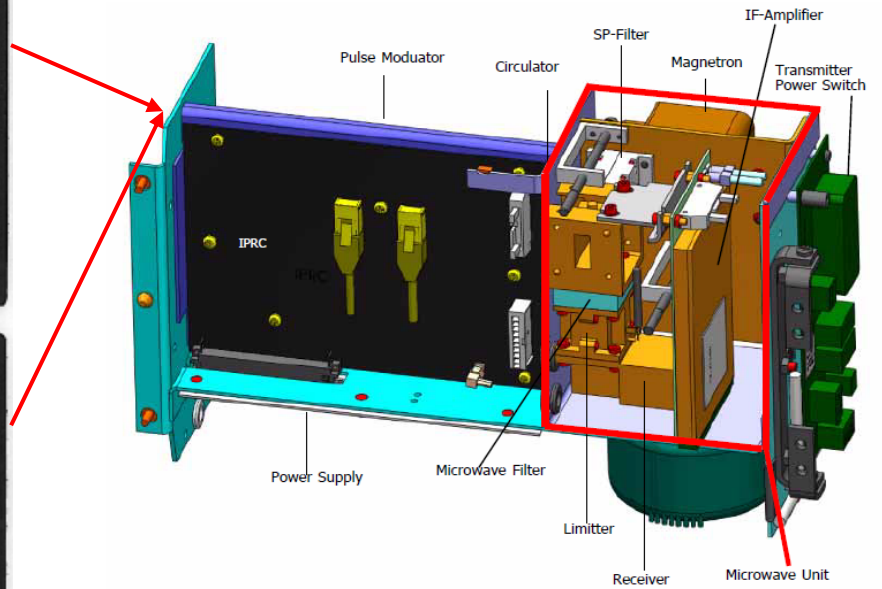



Fig. 4-10 Transceiver with S-Band Microwave Unit of NG3051