



FCC Test Report

**Product Name: CDMA 1X Digital Mobile Phone
With Bluetooth**

Model Number: HUAWEI C7500

**Report No: SYBH(R) 022122008EB-4
FCC ID: QISC7500**

Reliability Laboratory of Huawei Technologies Co., Ltd.

Huawei Base, Bantian, Longgang District, Shenzhen 518129, P.R. China

Tel: +86 755 28780808 Fax: +86 755 89652518



Notice

1. The laboratory has obtained the accreditation of China National Accreditation Service for Conformity Assessment (CNAS), and accreditation number: L0310.
2. The laboratory has obtained the accreditation of THE AMERICAN ASSOCIATION FOR LABORATORY ACCREDITATION (A2LA), and Accreditation Council Certificate Number: 2174.01.
3. The laboratory has been listed on the US Federal Communications Commission list of test facilities recognized to perform electromagnetic emissions measurements. The site recognition number is 97456.
4. The laboratory has been listed by industry Canada to perform electromagnetic emission measurement. The site recognition number is 6369A-1.
5. The laboratory also has been listed by the VCCI to perform EMC measurements. The accreditation number is R2364, C2583, and T256.
6. The test report is invalid if not marked with "exclusive stamp for the test report".
7. The test report is invalid if not marked with the stamps or the signatures of the persons responsible for performing, revising and approving the test report.
8. The test report is invalid if there is any evidence of erasure and/or falsification.
9. If there is any dissidence for the test report, please file objection to the test centre within 15 days from the date of receiving the test report.
10. Normally, the test report is only responsible for the samples that have undergone the test.
11. Context of the test report cannot be used partially or in full for publicity and/or promotional purposes without previous written approval of the laboratory.



REPORT ON FCC 47CFR part 15 subpart C Test of CDMA 1X Digital Mobile Phone With Bluetooth


M/N: HUAWEI C7500

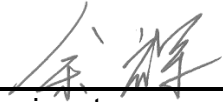
Report No: SYBH(R) 022122008EB-3

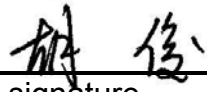
FCC ID: QISC7500

REGULATION **FCC CFR47 Part 2: Subpart J;**
FCC CFR47 Part 15: Subpart C;

CONCLUSION **Pass**

General Manager	<u>2009.01.07</u>	张兴海	
	Date	Name	signature

Technical Responsibility For Area of Testing	<u>2009.01.06</u>	余 辉	
	Date	Name	signature

Test Lab Engineer	<u>2009.01.05</u>	胡 俊	
	Date	Name	signature



Contents

1	<u>Summary</u>	5
2	<u>Product Description</u>	6
2.1	PRODUCTION INFORMATION	6
2.2	MODIFICATION INFORMATION.....	6
3	<u>Test Site Description</u>	7
3.1	TESTING PERIOD	7
3.2	GENERAL SET UP DESCRIPTION	7
4	<u>Product Description</u>	8
4.1	TECHNICAL CHARACTERISTICS	8
4.2	EUT IDENTIFICATION LIST	10
5	<u>Main Test Instruments</u>	11
6	<u>Transmitter Measurements</u>	12
6.1	20DB BANDWIDTH MEASUREMENT	12
6.2	CARRIER FREQUENCY SEPARATION MEASUREMENT	14
6.3	NUMBER OF HOPPING CHANNEL.....	16
6.4	TIME OF OCCUPANCY	18
6.5	PEAK OUTPUT POWER.....	20
6.6	BAND EDGE SPURIOUS EMISSION	22
6.7	CONDUCTED RF SPURIOUS	24
6.8	RADIATED SPURIOUS EMISSION & SPURIOUS IN RESTRICTED BAND	26
6.9	CONDUCTED EMISSION AT POWER PORT	30
7	<u>System Measurement Uncertainty</u>	32
8	<u>Appendices List</u>	33



1 Summary

The table below summarizes the measurements and results for the CDMA Mobile Phone With Bluetooth C7500. Detailed results and descriptions are shown in the following pages.

Table 1 Summary of results

FCC Measurement Specification	Description	Result
15.247 (a) (1)	20dB bandwidth measurement	PASS
15.247 (a) (1)	Carrier frequency separation measurement	PASS
15.247 (a) (1) III	Number of hopping channel	PASS
15.247 (a) (1) III	Time of occupancy	PASS
15.247 (b) (1)	Peak output power	PASS
15.247 (d)	Band edge compliance measurement	PASS
15.247 (d)	Conducted RF spurious	PASS
15.247 (d) / 15.205 & 15.209	Radiated spurious emission & Radiated restricted band measurement	PASS
15.207	Conducted emission test for power port	PASS



2 Product Description

2.1 Production Information

2.1.1 General Description

Huawei CDMA Mobile Phone With Bluetooth - C7500 is subscriber equipment in the CDMA system. The frequency band is US Cellular. The Mobile Phone implements such functions as RF signal receiving / Transmitting, CDMA protocol processing, voice and SMS service etc. The Mobile Phone uses QSC6055 single chipset and Zero-IF technologies.

2.1.2 Support function and Service

The Mobile Phone C7500 support the Bluetooth's function and service as follows:

Table 2 Service and Test mode List

Service Name	Characteristic	Corresponding Test Mode	Note
Data and Voice	Modulation: $\pi/4$ -DQPSK		/
Data and Voice	Modulation: 8DPSK		

2.2 Modification Information

For original equipment, following table is not application.

Table 3 Modification Information

Model Number	Board/Module	Original Version	New Version	Modify Information
Not applicable!				
Not applicable!				
Not applicable!				



3 Test Site Description

The test site of:

***Huawei Technologies Co. Ltd.
P.O. Box 518129
Huawei base, bantian,
Longgang District, Shenzhen, China***

3.1 Testing Period

The test have been performed during the period of

Dec.09, 2008 to Jan.04, 2009

3.2 General Set up Description

The Bluetooth hopping frequency system of Mobile Phone C7500 can Support 2.4GHz Band. For compliance with FCC regulation 47CFR part15 subpart C, we set the mobile phone as following test mode to do all compliance tests.

Bluetooth MODE:

TM1: GFSK Modulation

π /4-DQPSK

8DPSK



4 Product Description

4.1 Technical Characteristics

4.1.1 Frequency Range

Table 4 Frequency Range

Uplink band:	2400 to 2483.5 MHz	
Downlink band:	2400 to 2483.5 MHz	
Hop frequency support:	<input checked="" type="checkbox"/> YES	<input type="checkbox"/> NO

4.1.2 Channel Spacing / Separation

Table 5 Channel Spacing / Separation

Channel spacing:	1 MHz
Channel separation:	1 MHz

4.1.3 Type of Emission

Table 6 Type of Emission

Emission Designation:	-
-----------------------	---

According to CFR 47 (FCC) part 2, subpart C, section 2.201 and 2.202

4.1.4 Antenna Information

Table 7 Antenna Information

Type:	Integrated / Internal
Maximum Gain(dBi):	0 (from 2400MHz to 2500MHz)

4.1.5 Environmental Requirements

Table 8 Environmental Requirements

Minimum temperature:	- 10 °C
Maximum temperature:	+ 55 °C
Relative Humidity:	5%-95%

4.1.6 Power Source

Table 9 Power Source

AC voltage nominal:	~120V
AC voltage range	~100V-240V
AC current maximal:	650mA

4.1.7 Tune-up Procedure

According to CFR (FCC) part 2, subpart 2, section 2.1033(c) (9).


Please reference the document Tune-up Procedure in TCF.

4.1.8 Applied DC Voltages and Currents

According to CFR (FCC) part 2, subpart 2, section 2.1033(c) (8).

The voltage and current in the final RF stage is:

Table 10 Applied RF module DC Voltages and Currents

Voltage:	 3.7V
Current:	100mA According to CFR (FCC) part 2, subpart 2, section 2.1033(c) (8)



4.2 EUT Identification List

4.2.1 Board Information

Table 11 Board Information

CDMA 1X Digital Mobile Phone With Bluetooth		
HUAWEI C7500		
Board and Module		
Equipment Designation / Description	Serial Number	Remarks
-Main board	020MLM2089000028	HC2C7500M Ver.B
-LCD	0912-2	KGM803A0
-Battery	YAC8B10HI4225904	HB5A1H

4.2.2 Adapter Technical Data

AC/DC Adapter Model:	HS-050040E1	HS-050040U2
Manufacturer:	SHENZHEN HUNTKEY POWER TECHNOLOGY CO., LTD	SHENZHEN HUNTKEY POWER TECHNOLOGY CO., LTD
Rated Voltage	~ 120V, 60Hz	~ 120V, 60Hz
Input Voltage:	~ 100-240V 50/60Hz	~ 100-240V 50/60Hz
Output Voltage;	=== 5.0V	=== 5.0V
Rated Power:	2W	2W
S/N:	HKA830402725	XQH831900148

4.2.3 Battery Technical Data

Battery Model:	HB5A1H
Rated capacity:	1150mAh
Nominal Voltage:	=== 3.7V
Charging Voltage:	=== 4.2V

4.2.4 FCC Identification

Grantee Code:	QIS
Product Code:	C7500
FCC Identification:	QISC7500



5 Main Test Instruments

Table 12 Main Test Equipments

Equipment Description	Manufacturer	Model	Serial Number	Calibrated until (MM.DD.YYYY)
Signal Analyzer	R&S	FSP	3604100094	03.17.2009
Test Receiver Display Unit	R&S	ESMI 804.8932.52	829214/011	04.22.2009
Test Receiver RF Unit	R&S	ESMI 1032.5640.53	829550/008	04.22.2009
Receiver	R&S	ESIB 26	100318	05.29.2009
Receiver	R&S	ESCS30	830245/018	05.29.2009
Pre-Amplifier	Agilent	8447D	2944A10146	05.20.2009
Pre-Amplifier	Agilent	83017A	3950M00246	03.04.2009
BiLog Antenna	Schaffner	CBL 6112B	2536	06.07.2009
Horn Antenna	R&S	HF906 4044.4507.02	359287/006	12.13.2009
Horn Antenna	ETS-Lindgren	3117	3606061621	07.15.2009
Horn Antenna	ETS-Lindgren	3160	3606061623	07.15.2009
Signal Generator	R&S	SMU200A	3604100093	03.17.2009
Artificial Mains Network	R&S	ENV4200	100001	05.20.2009
Universal Radio Communication Tester	R&S	CBT	3608053990	05.21.2009
Signal Analyzer	Agilent	E4440A	3608031630	01.14.2010



6 Transmitter Measurements

6.1 20dB bandwidth measurement

6.1.1 Test Conditions

Table 13 Test Conditions

Preconditioning:	0.5 hour
Measured at:	Antenna connector
Ambient temperature:	25 °C
Relative humidity:	76%
Test Configurations:	TM1 at channel No.0, 40, 78

6.1.2 Test Specifications and Limits

6.1.2.1 Specification

CFR 47 (FCC) part 15.247 (a) (1) and DA 00-705

6.1.2.2 Supporting Standards

Table 14 Supporting Standards:

ANSI/TIA-603-C:2004	Land Mobile FM or PM Communications Equipment Measurement and Performance Standards
---------------------	---

6.1.2.3 Limits

Not Applicable.

6.1.3 Test Method and Setup

- (a) Connect test port of mobile phone to universal communication tester.
- (b) Set the mobile phone to transmit maximum output power at 2.4GHz and switch off frequency hopping function, then set the measured frequency number and test the 20dB bandwidth with universal communication tester.

Test setup

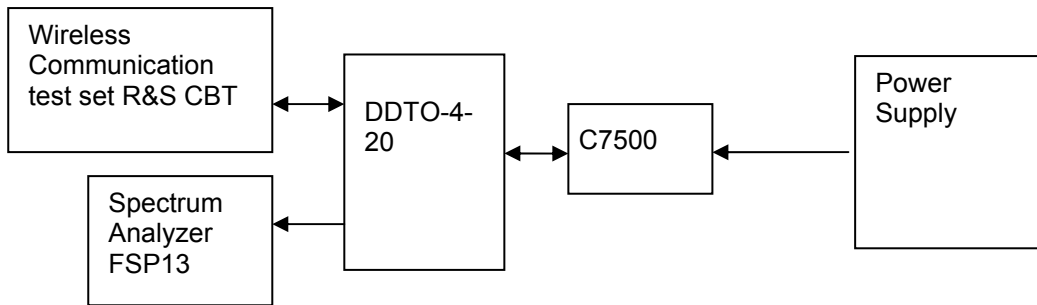


Figure 1. Test Set-up

6.1.4 Measurement Results

Table 15 Measurement Results (Modulation: $\pi/4$ -DQPSK)

Bandwidth Type	Channel Position	Channel Number	Frequency [GHz]	Measured Bandwidth [MHz]	Result
20dB	B	0	2.402	1.276	Pass
20dB	M	40	2.442	1.292	Pass
20dB	T	78	2.480	1.288	Pass

Table 16 Measurement Results (Modulation: 8DPSK)

Bandwidth Type	Channel Position	Channel Number	Frequency [GHz]	Measured Bandwidth [MHz]	Result
20dB	B	0	2.402	1.272	Pass
20dB	M	40	2.442	1.284	Pass
20dB	T	78	2.480	1.300	Pass

6.1.5 Conclusion

The equipment **PASSED** the requirement of this clause.
For the measurement results refer to appendix A.

6.2 Carrier frequency separation measurement

6.2.1 Test Conditions

Table 17 Test Conditions

Preconditioning:	0.5 hour
Measured at:	Antenna connector
Ambient temperature:	25 °C
Relative humidity:	76%
Test Configurations:	TM1 at channel No.39, 40, 41

6.2.2 Test Specifications and Limits

6.2.2.1 Specification

CFR 47 (FCC) part 15.247 (a) (1) and DA 00-705

6.2.2.2 Supporting Standards

Table 18 Supporting Standards:

ANSI/TIA-603-C:2004	Land Mobile FM or PM Communications Equipment Measurement and Performance Standards
---------------------	---

6.2.2.3 Limits

Frequency hopping systems shall have hopping channel carrier frequencies separated by a minimum of 25 kHz or the 20 dB bandwidth of the hopping channel, whichever is greater. Alternatively, frequency hopping systems operating in the 2400-2483.5 MHz band may have hopping channel carrier frequencies that are separated by 25 kHz or two-thirds of the 20 dB bandwidth of the hopping channel, whichever is greater.

Table 19 Limits (Modulation: $\pi/4$ -DQPSK)

Regulation:	≥ 0.025 or $2/3$ of the 20 dB bandwidth
Limit:	$\geq 2/3 \times 1.292 = 0.861\text{MHz}$

Table 20 Limits (Modulation: 8DPSK)

Regulation:	≥ 0.025 or $2/3$ of the 20 dB bandwidth
Limit:	$\geq 2/3 \times 1.300 = 0.867\text{MHz}$

6.2.3 Test Method and Setup

- (a) Connect test port of mobile phone to spectrum analyzer and universal communication tester.
- (b) Set the mobile phone to transmit maximum output power at 2.4GHz and switch off frequency hopping function, then set the measured frequency number to two adjacent channels separately and test the carrier frequency separation with spectrum analyzer.

Test setup

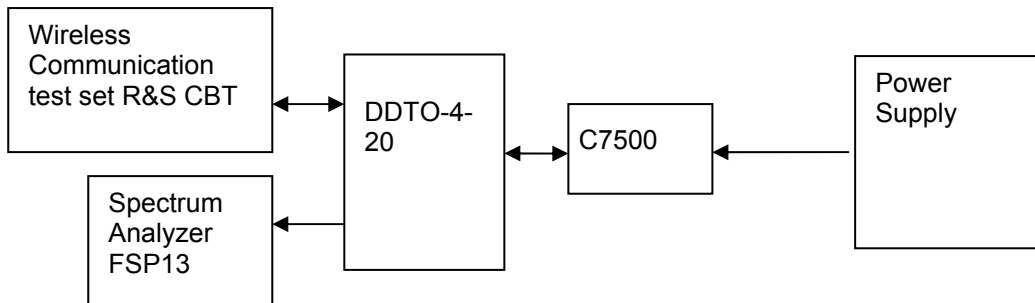


Figure 2. Test Set-up

6.2.4 Measurement Results

Table 21 Measurement Results (Modulation: $\pi/4$ -DQPSK)

Channel No.	Frequency [GHz]	Channel No.	Frequency [GHz]	Measured frequency separation [MHz]	Limit [MHz]	Result
40	2.442	39	2.441	1.00	≥ 0.861	Pass
40	2.442	41	2.443	1.08	≥ 0.861	Pass

Table 22 Measurement Results (Modulation: 8DPSK)

Channel No.	Frequency [GHz]	Channel No.	Frequency [GHz]	Measured frequency separation [MHz]	Limit [MHz]	Result
40	2.442	39	2.441	1.02	≥ 0.867	Pass
40	2.442	41	2.443	0.93	≥ 0.867	Pass

6.2.5 Conclusion

The equipment **PASSED** the requirement of this clause.
For the measurement results refer to appendix B.

6.3 Number of hopping channel

6.3.1 Test Conditions

Table 23 Test Conditions

Preconditioning:	0.5 hour
Measured at:	Antenna connector
Ambient temperature:	25 °C
Relative humidity:	76%
Test Configurations:	TM1 at hopping frequency state

6.3.2 Test Specifications and Limits

6.3.2.1 Specification

CFR 47 (FCC) part 15.247 (a) (1) iii and DA 00-705

6.3.2.2 Supporting Standards

Table 24 Supporting Standards:

ANSI/TIA-603-C: 2004	Land Mobile FM or PM Communications Equipment Measurement and Performance Standards
----------------------	---

6.3.2.3 Limits

Number of hopping channel should be compliance with the requirements in part15.247 (a) (1) iii.

Table 25 Limits

Limits	≥ 15 hopping frequency channel
--------	--------------------------------

6.3.3 Test Method and Setup

- Connect test port of mobile phone to spectrum analyzer and universal communication tester.
- Set the mobile phone to transmit maximum output power at 2.4GHz and switch on frequency hopping function, then set enough count time (larger than 5000 times) to get all the hopping frequency channel displayed on the screen of spectrum analyzer.
- Count the quantity of peaks to get the number of hopping channels.

Test setup

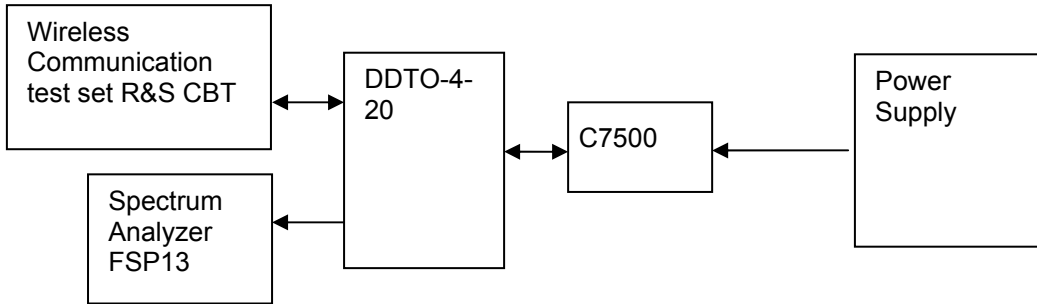


Figure 3. Test Set-up

6.3.4 Measurement Results

Table 26 Measurement Results (Modulation: $\pi/4$ -DQPSK)

Measured frequency range [MHz]	Channel No. range	Measured Channel No.	Limit	Result
2400 to 2483.5	0-78	79	≥ 15	Pass

Table 27 Measurement Results (Modulation: 8-DPSK)

Measured frequency range [MHz]	Channel No. range	Measured Channel No.	Limit	Result
2400 to 2483.5	0-78	79	≥ 15	Pass

6.3.5 Conclusion

The equipment **PASSED** the requirement of this clause.
For the measurement results refer to appendix C.

6.4 Time of occupancy

6.4.1 Test Conditions

Table 28 Test Conditions

Preconditioning:	0.5 hour
Measured at:	Antenna connector
Ambient temperature:	25°C
Relative humidity:	76%
Test Configurations:	TM1 at hopping frequency state

6.4.2 Test Specifications and Limits

6.4.2.1 Specification

CFR 47 (FCC) part 15.247 (a) (1) iii and DA 00-705

6.4.2.2 Supporting Standards

Table 29 Supporting Standards:

ANSI/TIA-603-C: 2004	Land Mobile FM or PM Communications Equipment Measurement and Performance Standards
----------------------	---

6.4.2.3 Limits

The average time of occupancy on any channel shall not be greater than 0.4 seconds within a period of 0.4 seconds multiplied by the number of hopping channels employed. Frequency hopping systems may avoid or suppress transmissions on a particular hopping frequency provided that a minimum of 15 channels are used.

Table 30 Limits

Limits for time of occupancy	$\leq 0.4s$
------------------------------	-------------

6.4.3 Test Method and Setup

- Connect test port of mobile phone to spectrum analyzer and universal communication tester.
- Set the mobile phone to transmit maximum output power at 2.4GHz and switch on frequency hopping function.
- Set the span of spectrum analyzer to 0 Hz, and set the resolution bandwidth to 1 MHz and the video bandwidth to 1 MHz, then get the time domain measured diagram. and set sweep time to 2 times of one burst occupancy time, and measure the time of occupancy of one burst.
- Set the resolution bandwidth to 1 MHz and the video bandwidth to 3 MHz, and set the sweep time to a period (0.4 seconds multiplied by the number of hopping channels employed), and count the number of the bursts.
- Calculate the time of occupancy in a period with time occupancy of a burst and quantity of bursts.

Test setup

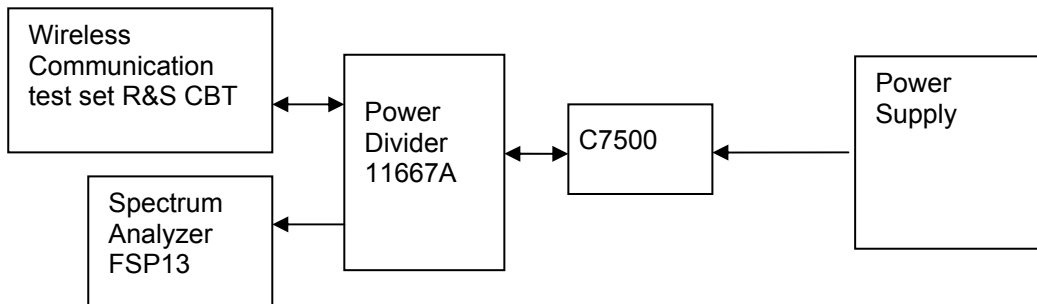


Figure 4. Test Set-up

6.4.4 Measurement Results

Table 31 Measurement Results (Modulation: $\pi/4$ -DQPSK)

Time of Single Slot [ms]	Numbers of slots in a period	Time of occupied in a period [s]	Limit [s]	Result
2.92	106.7	0.312	≤ 0.4	Pass

Table 32 Measurement Results (Modulation: 8DPSK)

Time of Single Slot [ms]	Numbers of slots in a period	Time of occupied in a period [s]	Limit [s]	Result
2.92	106.7	0.312	≤ 0.4	Pass

Note: The result is measured at 2-DH5\3-DH5 mode in $\pi/4$ -DQPSK\8DPSK modulation, which has longest time in one transmission burst.

6.4.5 Conclusion

The equipment **PASSED** the requirement of this clause.
For the measurement results refer to appendix D.

6.5 Peak output power

6.5.1 Test Conditions

Table 33 Test Conditions

Preconditioning:	0.5 hour
Measured at:	Antenna connector
Ambient temperature:	25 °C
Relative humidity:	76%
Test Configurations:	TM1 at channel No.0, 40, 78

6.5.2 Test Specifications and Limits

6.5.2.1 Specification

CFR 47 (FCC) part 15.247 (b) (1) and DA 00-705

6.5.2.2 Supporting Standards

Table 34 Supporting Standards:

ANSI/TIA-603-C: 2004	Land Mobile FM or PM Communications Equipment Measurement and Performance Standards
----------------------	---

6.5.2.3 Limits

Compliance with part 15.247 (b) (1), for frequency hopping systems operating in the 2400-2483.5 MHz band employing at least 75 non-overlapping hopping channels, and all frequency hopping systems in the 5725-5850 MHz band: 1 watt. For all other frequency hopping systems in the 2400-2483.5 MHz band: 0.125 watt.

Table 35 Limits

2.4GHz and 5.8GHz hopping frequency system	1 Watt (=30 dBm)
--	------------------

6.5.3 Test Method and Setup

- Connect test port of mobile phone to universal communication tester.
- Set the mobile phone to transmit maximum output power at 2.4GHz and switch off frequency hopping function.
- Then set the mobile phone to transmit at high, middle and low frequency and measure the conducted output power separately.

Test setup

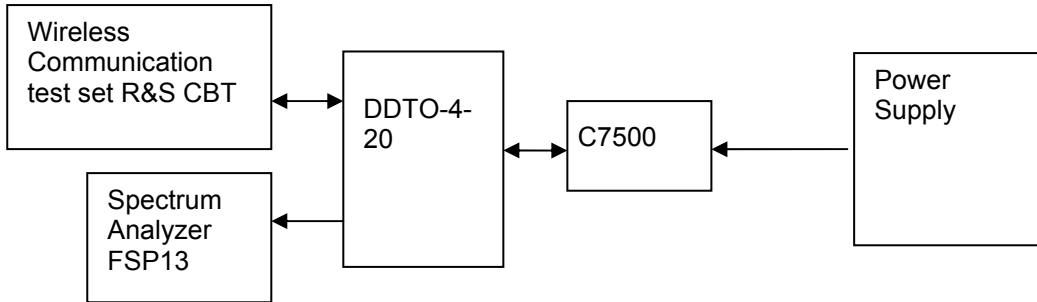


Figure 5. Test Set-up

6.5.4 Measurement Results

Table 36 Measurement Results (Modulation: $\pi/4$ -DQPSK)

Channel	Channel No.	Center Freq.[MHz]	Meas. Level (Cond.) [dBm]	Limit [dBm]	Result
Bottom	0	2402	-0.81	< 30	Pass
Middle	40	2442	-1.41	< 30	Pass
Top	78	2480	-2.13	< 30	Pass

Table 37 Measurement Results (Modulation: 8DPSK)

Channel	Channel No.	Center Freq.[MHz]	Meas. Level (Cond.) [dBm]	Limit [dBm]	Result
Bottom	0	2402	-0.76	< 30	Pass
Middle	40	2442	-1.20	< 30	Pass
Top	78	2480	-2.29	< 30	Pass

6.5.5 Conclusion

The equipment **PASSED** the requirement of this clause.
For the measurement results refer to appendix E.

6.6 Band edge spurious emission

6.6.1 Test Conditions

Table 38 Test Conditions

Preconditioning:	0.5 hour
Measured at:	Antenna connector
Ambient temperature:	25°C
Relative humidity:	76%
Test Configurations:	TM1 at channel No. 0, 78 and frequency hopping state

6.6.2 Test Specifications and Limits

6.6.2.1 Specification

CFR 47 (FCC) part 15.247 (d) and DA 00-705

6.6.2.2 Supporting Standards

Table 39 Supporting Standards:

ANSI/TIA-603-C: 2004	Land Mobile FM or PM Communications Equipment Measurement and Performance Standards
----------------------	---

6.6.2.3 Limits

Compliance with part 15.247 (d), in any 100 kHz bandwidth outside the frequency band in which the spread spectrum or digitally modulated intentional radiator is operating, the radio frequency power that is produced by the intentional radiator shall be at least 20 dB below that in the 100 kHz bandwidth within the band that contains the highest level of the desired power, based on either an RF conducted or a radiated measurement, provided the transmitter demonstrates compliance with the peak conducted power limits. If the transmitter complies with the conducted power limits based on the use of RMS averaging over a time interval, as permitted under paragraph (b)(3) of this section, the attenuation required under this paragraph shall be 30 dB instead of 20 dB. Attenuation below the general limits specified in Section 15.209(a) is not required.

Table 40 Limits

Band edge spurious:	20 dBc/100kHz
---------------------	---------------

6.6.3 Test Method and Setup

- Connect test port of mobile phone to spectrum analyzer and universal communication tester
- Set the mobile phone to transmit maximum output power at 2.4GHz and switch off frequency hopping function.
- Then set the mobile phone to transmit at high, low frequency and measure the conducted band edge spurious separately.
- Switch on the frequency hopping function, and repeat above measurement.

Test setup

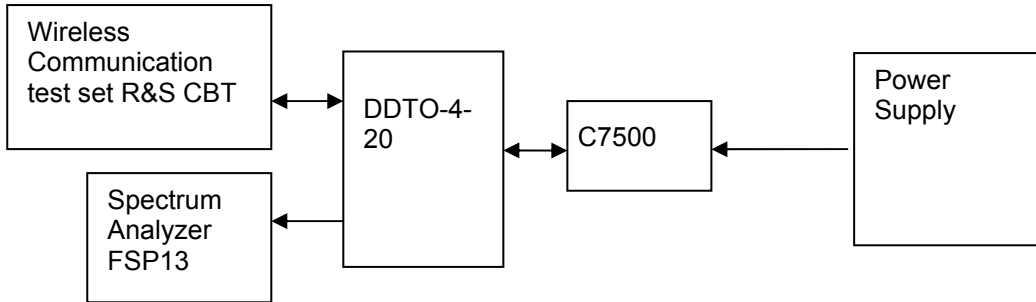


Figure 6. Test Set-up

6.6.4 Measurement Results

Table 41 Measurement Results for Band Edge immediately outside the 2.4GHz Band
(Modulation: $\pi/4$ -DQPSK)

	Channel No.	Carrier Frequency [MHz]	Carrier Power [dBm]	Frequency Hopping	Max. Spurious Level [dBm]	Limit [dBm]	Result
Low Edge	0	2402	-2.74	Off	-40.41	< -22.74	Pass
	-	-	-2.8	On	-43.22	<-22.80	Pass
High Edge	78	2480	-3.97	Off	-42.42	<-23.97	Pass
	-	-	-3.95	On	-45.62	<-23.95	Pass

Table 42 Measurement Results for Band Edge immediately outside the 2.4GHz Band
(Modulation: 8DPSK)

	Channel No.	Carrier Frequency [MHz]	Carrier Power [dBm]	Frequency Hopping	Max. Spurious Level [dBm]	Limit [dBm]	Result
Low Edge	0	2402	-2.72	Off	-40.18	< -22.72	Pass
	-	-	-3.78	On	-42.04	<-23.78	Pass
High Edge	78	2480	-3.98	Off	-43.18	<-23.98	Pass
	-	-	-5.73	On	-44.23	<-25.73	Pass

6.6.5 Conclusion

The equipment **PASSED** the requirement of this clause.
For the measurement results refer to appendix F.

6.7 Conducted RF spurious

6.7.1 Test Conditions

Table 43 Test Conditions

Preconditioning:	0.5 hour
Measured at:	Antenna connector
Ambient temperature:	25 °C
Relative humidity:	76%
Test Configurations:	TM1 at channel No.0, 40, 78

6.7.2 Test Specifications and Limits

6.7.2.1 Specification

CFR 47 (FCC) part 15.247 (d) and DA 00-705

6.7.2.2 Supporting Standards

Table 44 Supporting Standards:

ANSI/TIA-603-C: 2004	Land Mobile FM or PM Communications Equipment Measurement and Performance Standards
----------------------	---

6.7.2.3 Limits

Compliance with part 15.247 (d), in any 100 kHz bandwidth outside the frequency band in which the spread spectrum or digitally modulated intentional radiator is operating, the radio frequency power that is produced by the intentional radiator shall be at least 20 dB below that in the 100 kHz bandwidth within the band that contains the highest level of the desired power, based on either an RF conducted or a radiated measurement, provided the transmitter demonstrates compliance with the peak conducted power limits. If the transmitter complies with the conducted power limits based on the use of RMS averaging over a time interval, as permitted under paragraph (b)(3) of this section, the attenuation required under this paragraph shall be 30 dB instead of 20 dB. Attenuation below the general limits specified in Section 15.209(a) is not required.

Table 45 Limits

Band edge spurious:	20 dBc/100kHz
---------------------	---------------

6.7.3 Test Method and Setup

- (a) Connect test port of mobile phone to spectrum analyzer and universal communication tester
- (b) Set the mobile phone to transmit maximum output power at 2.4GHz and switch off frequency hopping function.
- (c) Then set the mobile phone to transmit at high, middle and low frequency and measure the conducted band edge spurious separately.
- (d) Switch on the frequency hopping function, and repeat above measurement.

Test setup

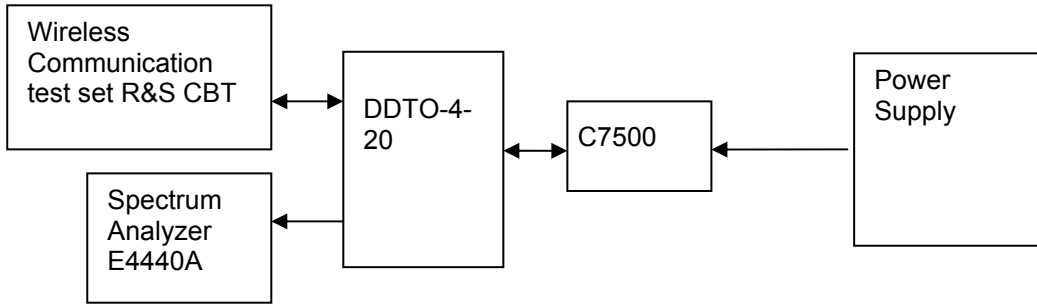


Figure 7. Test Set-up

6.7.4 Measurement Results

Table 46 Measurement Results (Modulation: $\pi/4$ -DQPSK)

Test Frequency Range	Channel No.	Carrier Frequency [MHz]	Carrier Power [dBm]	Frequency Hopping	Max. Spurious Level [dBm]	Limit [dBm]	Result
9kHz-25GHz	0	2402	-4.01	Off	-37.64	< -24.01	Pass
9kHz-25GHz	40	2442	-4.77	Off	-37.49	< -24.77	Pass
9kHz-25GHz	78	2480	-6.28	Off	-44.20	< -26.28	Pass

Table 47 Measurement Results (Modulation: 8DPSK)

Test Frequency Range	Channel No.	Carrier Frequency [MHz]	Carrier Power [dBm]	Frequency Hopping	Max. Spurious Level [dBm]	Limit [dBm]	Result
9kHz-25GHz	0	2402	-3.62	Off	-43.78	< -23.62	Pass
9kHz-25GHz	40	2442	-4.51	Off	-44.30	< -24.51	Pass
9kHz-25GHz	78	2480	-5.83	Off	-37.71	< -25.83	Pass

6.7.5 Conclusion

The equipment **PASSED** the requirement of this clause.
For the measurement results refer to appendix G.

6.8 Radiated spurious emission & spurious in restricted band

6.8.1 Test Conditions

Table 48 Test Conditions

Preconditioning:	0.5 hour
Measured at:	Enclosure
Ambient temperature:	25 °C
Relative humidity:	55 %
Test Configurations:	TM1 at channel No.0, 40, 78

6.8.2 Test Specifications and Limits

6.8.2.1 Specification

CFR 47 (FCC) part 15.247 (d), 15.205 & 15.209 and DA 00-705

6.8.2.2 Supporting Standards

Table 49 Supporting Standards:

ANSI/TIA-603-C: 2004	Land Mobile FM or PM Communications Equipment Measurement and Performance Standards
ANSI C63.4: 2003	Methods of Measurement of Radio-Noise Emissions from Low Voltage Electrical and Electronic Equipment in the Range of 9 kHz to 40 GHz

6.8.2.3 Limits

According to part 15.247 (d) / 15.205 & 15.209, all spurious emission in the frequency range from 30MHz to 10th harmonics of carrier frequency should be meet the requirement of following table.

Table 50 Limits

Frequency (MHz)	Field Strength (μV/m)	Field Strength (dBμV/m)	Measurement Distance (meters)	Detector
30 - 88	100	40	3	QP
88 - 216	150	43.5	3	QP
216 - 960	200	46	3	QP
960 -1000	500	54	3	QP
Above 1000	500	54	3	PK

In addition, radiated emissions which fall in the restricted bands, as defined in Section 15.205(a), also should comply with the radiated emission limits specified in Section 15.209(a) (see above table).

6.8.3 Test Method and Setup

The test site semi-anechoic chamber has met the requirement of NSA tolerance 4dB according to the standards: ANSI C63.4 (2003). The EUT was set-up on insulator 80cm above the Ground Plane. The set-up and test methods were according to ANSI C63.4. The Radiated Disturbance measurements were made using a Rohde and Schwarz Test Receiver and control software.

A preliminary scan and a final scan of the emissions were made by using test script of software; the emissions were measured using a Quasi-Peak Detector below 1GHz, and AV detector above 1GHz. The maximal emission value was acquired by adjusting the antenna height, polarisation and turntable azimuth in accordance with the software setup. Normally, the height range of antenna was 1m to 4m, the azimuth range of turntable was 0° to 360°, The receive antenna has two polarizations V and H.

Huawei CDMA Mobile Phone with Bluetooth C7500 was communicated with the BTS simulator through Air interface. The Mobile Phone transmits maximum output power at 2.4GHz and switch off frequency hopping function.

Measurement bandwidth: 30 MHz - 1000 MHz: 120 kHz
Measurement bandwidth: 1000 MHz - 10th Carrier Frequency: 1 MHz

Test set up

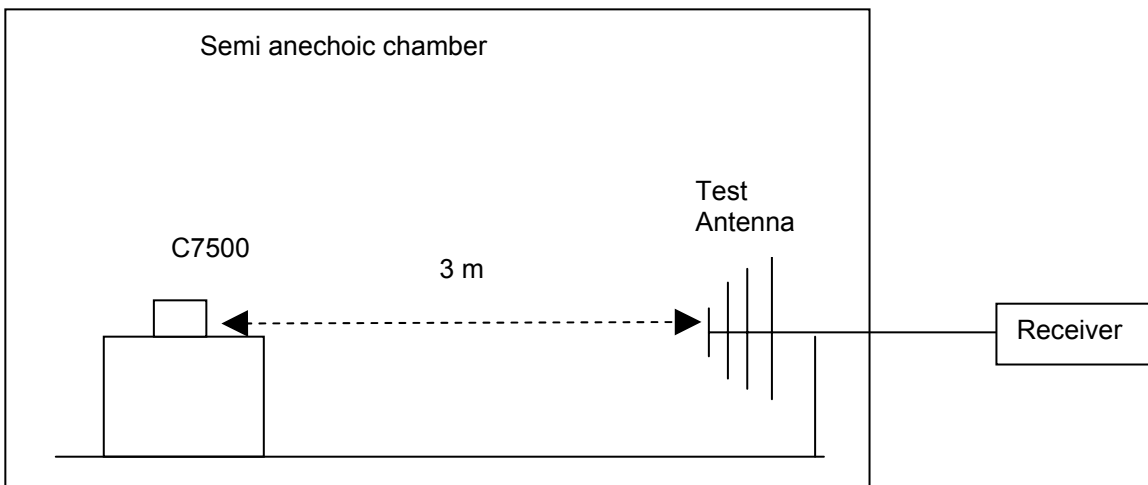


Figure 8. Test Set up

6.8.4 Measurement Results

Note: The following measurement results exceed the limit line is the carrier frequency.

Measured Result of channel: 0 (2402MHz)

Table 51 MEASUREMENT RESULT

Frequency (MHz)	Level (dBµV/m)	Transd (dB)	Limit (dBµV/m)	Margin (dB)	Height (cm)	Azimuth (deg)	Polarisation
38.880000	30.60	-11.0	40.0	9.4	100.0	359.00	VERTICAL
53.760000	24.50	-16.9	40.0	15.5	100.0	44.00	VERTICAL
99.720000	21.10	-15.5	43.5	22.4	100.0	328.00	VERTICAL
229.080000	18.90	-12.0	46.0	27.1	200.0	0.00	HORIZONTAL
557.940000	27.50	-3.8	46.0	18.5	200.0	162.00	VERTICAL
995.460000	31.00	2.7	54.0	23.0	200.0	221.00	HORIZONTAL
1180.000000	39.30	-5.7	54.0	14.7	200.0	240.00	HORIZONTAL
1735.000000	40.10	-1.2	54.0	13.9	100.0	90.00	HORIZONTAL
2402.000000	72.10	2.0	54.0	-18.1	110.0	0.00	VERTICAL
3635.000000	40.50	7.3	54.0	13.5	100.0	0.00	VERTICAL
6070.500000	46.60	14.7	54.0	7.4	200.0	300.00	HORIZONTAL
15021.000000	49.00	34.6	54.0	5	100.0	150.00	HORIZONTAL
2310.000000	41.20	3.1	54.0	12.8	120.0	180.00	VERTICAL
2390.000000	50.30	5.1	54.0	3.7	210.0	210.00	VERTICAL



2402.000000	73.60	12.0	54.0	-19.6	150.0	110.00	VERTICAL
2483.500000	41.20	3.0	54.0	12.8	180.0	60.00	HORIZONTAL
2500.000000	41.40	2.4	54.0	12.6	160.0	190.0	HORIZONTAL

Measured Result of channel: 40 (2442MHz)

Table 52 MEASUREMENT RESULT

Frequency (MHz)	Level (dBμV/m)	Transd (dB)	Limit (dBμV/m)	Margin (dB)	Height (cm)	Azimuth (deg)	Polarisation
39.780000	30.80	-11.6	40.0	9.2	100.0	328.00	VERTICAL
53.580000	30.40	-16.9	40.0	9.6	100.0	322.00	VERTICAL
98.280000	25.90	-15.8	43.5	17.6	100.0	36.00	VERTICAL
229.140000	19.60	-12.0	46.0	26.4	100.0	247.00	HORIZONTAL
536.820000	28.20	-4.3	46.0	17.8	100.0	209.00	HORIZONTAL
924.420000	30.20	1.6	46.0	15.8	200.0	108.00	VERTICAL
1480.000000	40.70	-4.1	54.0	13.3	200.0	300.00	HORIZONTAL
2442.000000	71.90	2.1	54.0	-17.9	100.0	276.00	VERTICAL
3050.000000	42.60	5.8	54.0	11.4	100.0	4.00	VERTICAL
5990.500000	47.80	16.6	54.0	6.2	110.0	26.00	VERTICAL
5580.000000	49.30	21.1	54.0	4.7	300.0	286.00	HORIZONTAL
17998.000000	50.50	47.1	54.0	3.5	300.0	115.00	VERTICAL

Measured Result of channel: 78 (2480MHz)

Table 53 MEASUREMENT RESULT

Frequency (MHz)	Level (dBμV/m)	Transd (dB)	Limit (dBμV/m)	Margin (dB)	Height (cm)	Azimuth (deg)	Polarisation
41.700000	30.70	-12.5	40.0	9.3	100.0	359.00	VERTICAL
56.940000	29.90	-17.8	40.0	10.1	100.0	288.00	VERTICAL
166.800000	20.20	-14.0	43.5	23.3	100.0	76.00	VERTICAL
182.800000	20.70	-13.7	43.5	22.8	100.0	269.00	VERTICAL
559.560000	26.30	-3.8	46.0	19.7	200.0	274.00	VERTICAL
840.960000	30.20	0.7	46.0	15.8	100.0	13.00	VERTICAL
1475.000000	45.90	-6.5	54.0	8.1	200.0	272.00	VERTICAL
2480.000000	72.30	2.3	54.0	-18.3	100.0	200.00	VERTICAL
4003.000000	41.70	8.02	54.0	12.3	100.0	4.00	VERTICAL
5087.500000	45.60	12.1	54.0	8.4	110.0	276.00	VERTICAL
9980.000000	45.20	25.1	54.0	8.8	300.0	286.00	HORIZONTAL
22248.500000	50.0	48.8	54.0	4	100.0	193.00	VERTICAL
2310.000000	40.20	1.9	54.0	13.8	120.0	160.00	VERTICAL
2390.000000	41.70	2.6	54.0	12.3	80.0	245.00	VERTICAL
2480.000000	72.90	2.1	54.0	-18.9	200.0	126.00	VERTICAL
2483.500000	41.40	2.4	54.0	12.6	167.0	120.00	HORIZONTAL
2500.000000	40.70	1.2	54.0	13.3	58.0	216.00	HORIZONTAL

Table 54 Measurement Results for Band Edge(2310 MHz -2390MHz, 2483.5 MHz -2500MHz)

Channel No	Channel No	Carrier Frequency [MHz]	Max. Delta Spurious Level [dB]	Carrier Frequency Level test in 3 meters [dBμV/m]	Band Edge Max. Spurious Level [dBμV/m]	Limit (AV) [dBuV/m]	Result
------------	------------	-------------------------	--------------------------------	---	--	---------------------	--------



Low Edge	0	2310-2390	63.18	72.10	8.92	54	Pass
High Edge	78	2483.5-2500	61.10	72.30	11.2	54	Pass

Notes:

1. Band Edge Max. Spurious Level = Carrier Frequency Level test in 3 meters - Max. Delta Spurious Level;
2. Max. Delta Spurious Level is got from the Band Edge test result appendix F;
3. The Carrier Frequency Levels test in 3 meters are got from the radiated spurious emission which is appendix H;
4. Because the PK detector value is smaller than AV Limit line, so the AV detector value is certainly smaller than AV limit line.

6.8.5 Conclusion

The equipment **PASSED** the requirement of this clause.
For the measurement results refer to appendix H.

6.9 Conducted Emission at Power Port

6.9.1 Test Conditions

Table 55 Test Conditions

Preconditioning:	0.5 hour
Measured at:	Power port
Ambient temperature:	23.5°C
Relative humidity:	55 %
Test Configurations:	TM1 at channel No. 40

6.9.2 Test Specifications and Limits

6.9.2.1 Specification

CFR 47 (FCC) part 15.207 and DA 00-705

6.9.2.2 Supporting Standards

Table 56 Supporting Standards:

ANSI C63.4: 2003	Methods of Measurement of Radio-Noise Emissions from Low Voltage Electrical and Electronic Equipment in the Range of 9 kHz to 40 GHz
------------------	--

6.9.2.3 Limits

Compliance with part15.207, conducted emission must meet the requirement of following table.

Table 57 Limits

Frequency of Emission (MHz)	Conducted Limit (dBµV)	
	Quasi-peak	Average
0.15-0.5	66 to 56 *	56 to 46 *
0.5-5	56	46
5-30	60	50

Note: * Decreases with the logarithm of the frequency.

6.9.3 Test Method and Setup

The Table-top EUT was placed upon a non-metallic table 0.8 m above the horizontal metal reference ground plane. EUT was connected to LISN and LISN was connected to reference Ground Plane. EUT was 80cm from LISN. The set-up and test methods were according to ANSI C63.4: 2003.

Conducted Disturbance at AC Port measurements were undertaken on the L and N Lines. The emissions were measured using a Quasi-Peak Detector and Average Detector.

Huawei CDMA Mobile Phone with Bluetooth C7500 was communicated with the BTS simulator through Air interface, the BTS simulator controls the Mobile Phone to transmitter the maximum power which defined in specification of product. The Mobile Phone operated on the typical channel.

Measurement bandwidth (RBW) for 150kHz to 30 MHz: 9 kHz;

Test Set-up

The Mobile Phone was setup in the screened chamber and operated under nominal conditions.

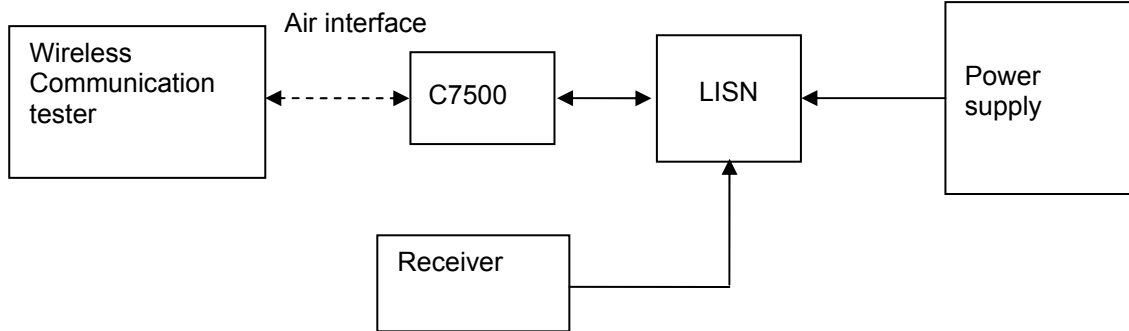


Figure 9. Test Set-up

6.9.4 Measurement Results

Table 58 MEASUREMENT RESULT:QP DECTER

Frequency MHz	Level dBμV	Transd dB	Limit dBμV	Margin dB	Line	PE
0.334500	32.60	10.1	59	26.4	L3	FLO
0.388500	40.90	10.0	58	17.1	N	FLO
1.896000	32.60	10.1	56	23.4	L3	FLO
4.942500	39.20	10.1	56	16.8	L3	FLO
5.217000	32.90	10.2	60	27.1	N	FLO
16.395000	21.80	10.3	60	38.2	L3	FLO

Table 59 MEASUREMENT RESULT:AV DECTER

Frequency MHz	Level dBμV	Transd dB	Limit dBμV	Margin dB	Line	PE
0.334500	26.80	10.1	49	22.2	N	FLO
0.388500	29.40	10.0	48	18.6	L3	FLO
1.891500	23.90	10.1	46	22.1	L3	FLO
4.938000	26.30	10.1	46	19.7	L3	FLO
5.230500	24.00	10.2	50	26	L3	FLO
16.264500	11.90	10.3	50	38.1	L3	FLO

6.9.5 Conclusion

The equipment **PASSED** the requirement of this clause.
For the measurement results refer to appendix I.



7 System Measurement Uncertainty

For a 95% confidence level, the measurement expanded uncertainties for defined systems, in accordance with the recommendations of ISO 17025 as following:

Table 60 System Measurement Uncertainty

Items		Extended Uncertainty
20dB bandwidth measurement	Magnitude (%)	U=0.2%; k=2
Carrier frequency separation measurement	Magnitude (%)	U=0.2%; k=2
Time of occupancy	Magnitude (%)	U=0.2%; k=2
Peak output power	Power(dBm)	U=0.39dB; k=2
Band edge compliance measurement	Disturbance Power(dBm)	U=2.0dB; k=2
Conducted RF spurious	Disturbance Power(dBm)	U=2.0dB; k=2
Radiated spurious emission & Radiated restricted band measurement	Field strength (dB μ V/m)	U=2.2dB; k=2 U=5dB; k=2
Conducted emission test for power port	Disturbance Voltage(dB μ V)	U=4dB; k=2



8 Appendices List

Appendix A	Measurement Results 20dB bandwidth measurement	7 pages
Appendix B	Measurement Results Carrier frequency separation measurement	3 pages
Appendix C	Measurement Results Number of hopping channel	3 pages
Appendix D	Measurement Results Time of occupancy	5 pages
Appendix E	Measurement Results Peak output power	7 pages
Appendix F	Measurement Results Band edge compliance measurement	9 pages
Appendix G	Measurement Results Conducted RF spurious	25 pages
Appendix H	Measurement Results Radiated spurious emission	7 pages
Appendix I	Measurement Results Conducted emission test for power port	2 pages
Appendix J	Photos of Test Setup	3 pages

----- End of Report -----