



# FCC Test Report

**Product Name: CDMA Mobile Phone**

**Model Number: C3105**

**Report No: SYBH(R)E058062009EB-1**

**FCC ID: QISC3105**

**Reliability Laboratory of Huawei Technologies Co., Ltd.**

Huawei Base, Bantian, Longgang District, Shenzhen 518129, P.R. China

Tel: +86 755 28780808 Fax: +86 755 89652518

## Notice

1. The laboratory has obtained the accreditation of China National Accreditation Service for Conformity Assessment (CNAS), and accreditation number: L0310.
2. The laboratory has obtained the accreditation of THE AMERICAN ASSOCIATION FOR LABORATORY ACCREDITATION (A2LA), and Accreditation Council Certificate Number: 2174.01.
3. The laboratory has been listed on the US Federal Communications Commission list of test facilities recognized to perform electromagnetic emissions measurements. The site recognition number is 97456.
4. The laboratory has been listed by industry Canada to perform electromagnetic emission measurement. The site recognition number is 6369A-1.
5. The laboratory also has been listed by the VCCI to perform EMC measurements. The accreditation number is R2364, C2583, and T256.
6. The test report is invalid if not marked with "exclusive stamp for the test report".
7. The test report is invalid if not marked with the stamps or the signatures of the persons responsible for performing, revising and approving the test report.
8. The test report is invalid if there is any evidence of erasure and/or falsification.
9. If there is any dissidence for the test report, please file objection to the test centre within 15 days from the date of receiving the test report.
10. Normally, the test report is only responsible for the samples that have undergone the test.
11. Context of the test report cannot be used partially or in full for publicity and/or promotional purposes without previous written approval of the laboratory.



**REPORT ON** FCC Test of Huawei CDMA Mobile Phone


M/N: C3105

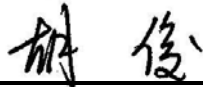
Report No: SYBH(R)E058062009EB-1

FCC ID: QISC3105

**REGULATION** **FCC 47CFR Part 2: Subpart J;**  
**FCC 47CFR Part 22: Subpart H;**  
**FCC 47CFR Part 15: Subpart B;**

**CONCLUSION** **PASS**

<b>General Manager</b>	<u>2009.07.12</u>	张兴海	
	Date (y.m.d)	Name	

<b>Test Lab Engineer</b>	<u>2009.07.11</u>	胡俊	
	Date (y.m.d)	Name	



# Contents

<b>1</b>	<b><u>Summary</u></b> .....	<b>5</b>
<b>2</b>	<b><u>Product Description</u></b> .....	<b>6</b>
2.1	PRODUCTION INFORMATION .....	6
2.2	MODIFICATION INFORMATION.....	6
<b>3</b>	<b><u>Test Site Description</u></b> .....	<b>7</b>
3.1	TESTING PERIOD .....	7
3.2	GENERAL SET UP DESCRIPTION .....	7
<b>4</b>	<b><u>Product Description</u></b> .....	<b>8</b>
4.1	TECHNICAL CHARACTERISTICS .....	8
4.2	EUT IDENTIFICATION LIST .....	10
<b>5</b>	<b><u>Main Test Instruments</u></b> .....	<b>11</b>
<b>6</b>	<b><u>Transmitter Measurements</u></b> .....	<b>12</b>
6.1	EFFECTIVE RADIATED POWER OF TRANSMITTER (ERP).....	12
6.2	CONDUCTED OUTPUT POWER .....	15
6.3	MODULATION CHARACTERISTICS .....	17
6.4	OCCUPIED BANDWIDTH.....	19
6.5	BAND EDGES COMPLIANCE .....	21
6.6	SPURIOUS EMISSION AT ANTENNA TERMINAL .....	23
6.7	RADIATED SPURIOUS RADIATION.....	25
6.8	FREQUENCY STABILITY .....	29
<b>7</b>	<b><u>EMC Test</u></b> .....	<b>33</b>
7.1	CONDUCTED EMISSION AT POWER PORT .....	33
7.2	RADIATED EMISSION OF ENCLOSURE IN IDLE MODE .....	35
<b>8</b>	<b><u>System Measurement Uncertainty</u></b> .....	<b>37</b>
<b>9</b>	<b><u>Appendixes</u></b> .....	<b>38</b>

# 1 Summary

The table below summarizes the measurements and results for the Huawei CDMA Mobile Phone C3105. Detailed results and descriptions are shown in the following pages.

Table 1 Summary of results

<b>FCC Measurement Specification</b>	<b>FCC Limits Part(s)</b>	<b>Description</b>	<b>Result</b>
2.1046	22.913	Effective Radiated Power of Transmitter	PASS
2.1046	22.913	Conducted Power of Transmitter	PASS
2.1047	-	Modulation Characteristics	PASS
2.1049	-	Occupied Bandwidth	PASS
2.1051	22.917	Band Edges Compliance	PASS
2.1051	22.917	Spurious Emission at Antenna Terminals	PASS
2.1053	22.917	Radiated Spurious Emissions	PASS
2.1055	22.355	Frequency Stability	PASS
-	15.107	Conducted Emission at Power Port	PASS
-	15.109	Radiated Emission of Enclosure in Idle Mode	PASS



## 2 Product Description

### 2.1 Production Information

#### 2.1.1 General Description

Huawei CDMA Mobile Phone C3105 is subscriber equipment in the CDMA system. The frequency band is US Cellular. The Mobile Phone implements such functions as RF signal receiving / Transmitting, CDMA protocol processing, voice and SMS service etc. The Mobile Phone uses QSC1110 single chipset and Zero-IF technologies.

#### 2.1.2 Support function and Service

The Mobile Phone C3105 support the function and service as follows:

Table 2 Service and Test mode List

Service Name	Characteristic	Corresponding Test Mode	Note
voice and SMS	Modulation: QPSK	TM1*	
voice and SMS	Modulation: HPSK	TM3*	

Note: \* Refer to ANSI/TIA-98-E section 1.3 for the information of TM (Test Mode).

### 2.2 Modification Information

For original equipment, following table is not application:

Table 3 Modification Information

Model Number	Board/Module	Original Version	New Version	Modify Information
	Not applicable!			



### 3 Test Site Description

The test site of:

***Huawei Technologies Co. Ltd.  
P.O. Box 518129  
Huawei base, Bantian,  
Longgang District, Shenzhen, China***

#### 3.1 Testing Period

The tests have been performed during the period of:

Jul. 6, 2009 to Jul. 10, 2009

#### 3.2 General Set up Description

Huawei CDMA Mobile Phone C3105 can only support CDMA mode and US Cellular Band. During this measurement, the Mobile Phone just works in CDMA mode and US Cellular Band.

**TM1:** Forward Traffic Channel Radio Configuration 1, Reverse Traffic Channel Radio Configuration 1

**TM3:** Forward Traffic Channel Radio Configuration 3, Reverse Traffic Channel Radio Configuration 3

Parameter	Units	Value
$\hat{I}_{or}$	dBm/1.23 MHz	-104
$\frac{\text{Pilot } E_c}{I_{or}}$	dB	-7
$\frac{\text{Traffic } E_c}{I_{or}}$	dB	-7.4



## 4 Product Description

### 4.1 Technical Characteristics

#### 4.1.1 Frequency Range

Table 4 Frequency Range

Uplink band:	824 to 849 MHz
Downlink band:	869 to 894 MHz

#### 4.1.2 Channel Spacing / Separation

Table 5 Channel Spacing / Separation

Channel spacing:	1.23 MHz
Channel raster	30 kHz

#### 4.1.3 Type of Emission

Table 6 Type of Emission

Emission Designation:	1M23F9W
-----------------------	---------

According to CFR 47 (FCC) part 2, subpart C, section 2.201 and 2.202



#### 4.1.4 Environmental Requirements

Table 7 Environmental Requirements

Minimum temperature:	-10 °C
Maximum temperature:	+55 °C
Relative Humidity:	5% to 95% RH

#### 4.1.5 Power Source

Table 8 Power Source

AC voltage nominal:	~ 120 V
AC voltage range:	~ 100 V to ~ 240 V
AC current maximal:	400 mA

#### 4.1.6 Tune-up Procedure

According to CFR (FCC) part 2, subpart 2, section 2.1033 (9)

Please reference the document Tune-up Procedure in TCF.

#### 4.1.7 Applied DC Voltages and Currents

According to CFR (FCC) part 2, subpart 2, section 2.1033 (8)

The voltage and current in the final RF stage is:

Table 9 Applied RF module DC Voltages and Currents

Voltage:	== 3.7 V
Current:	120 mA According to CFR (FCC) part 2, subpart 2, section 2.1033 (8)



## 4.2 EUT Identification List

### 4.2.1 Board Information

Table 10 Board Information

800MHz CDMA Mobile Phone		
C3105		
Board and Module		
Equipment Designation / Description	Serial Number	Remarks
Main board	020MWH2096000005	HC1C3105M
LCD	TM128128H1KFWGWC	
Battery	BAA9212XB4800987	HBL3A

### 4.2.2 Adapter Technical Data

AC/DC Adapter Model:	HS-050040E1	HS-050040U2
Manufacturer:	SHENZHEN HUNTKEY POWER TECHNOLOGY CO., LTD	SHENZHEN HUNTKEY POWER TECHNOLOGY CO., LTD
Rated Voltage	~ 120V, 60Hz	~ 120V, 60Hz
Input Voltage:	~ 100-240V 50/60Hz	~ 100-240V 50/60Hz
Output Voltage;	=== 5.0 V	=== 5.0 V
Rated Power:	2W	2W
S/N:	HKA830403455	XQH831900435

### 4.2.3 Battery Technical Data

Battery Model:	HBL3A
Rated capacity:	600 mAh
Nominal Voltage:	=== 3.7 V
Charging Voltage:	=== 4.2 V

### 4.2.4 FCC Identification

Grantee Code: QIS  
Product Code: C3105  
FCC Identification: QISC3105



## 5 Main Test Instruments

Table 11 Main Test Equipments

Equipment Description	Manufacturer	Model	Serial Number	Calibrated until (yyyy.MM.dd)
EMI Test receiver	R&S	ESMI	829179/008	2010.04.21
Receiver	R&S	ESIB 26	100318	2010.04.21
Receiver	R&S	ESCS30	830245/018	2010.04.21
Pre-Amplifier	Agilent	8447D	2944A10146	2010.05.11
Pre-Amplifier	Agilent	83017A	3950M00246	2010.04.06
Loop Antenna	Schwarzbeck	FMZB1516	1516115	2010.04.14
BiLog Antenna	Schaffner	CBL 6112B	25221	2010.02.23
BiLog Antenna	Schaffner	CBL 6112B	2747	2009.11.09
Horn Antenna	ETS-Lindgren	3117	00062553	2009.09.26
DC power supply	Schwarzbeck	D69250-UHAP/D69250-VHAP	979/917	2009.11.19
Signal Generator	R&S	SMT06	830264/009	2010.05.11
Signal Generator	R&S	SMR 40	100325	2010.05.11
Signal Generator	R&S	SMU200A	101717	2010.05.11
Artificial Mains Network	R&S	ENV4200	100001	2010.05.11
Power Supply	Keithley	2306	1045337	2010.05.11
Climate Chamber	WEISS	ACS-1	3604040034	2010.06.05
Universal Radio Communication Tester	R&S	CMU200	105822	2009.10.21
Wireless communication test set	Agilent	8960	GB43461081	2010.05.06
Spectrum Analyzer	Agilent	PSA E4445A	MY42510100	2010.03.15



## 6 Transmitter Measurements

### 6.1 Effective Radiated Power of Transmitter (ERP)

#### 6.1.1 Test Conditions

Table 12 Test Conditions

Preconditioning:	1 hour
Measured at:	Enclosure
Ambient temperature:	24 °C
Relative humidity:	54%
Test Configurations:	TM1 and TM3 at frequency B, M, T

#### 6.1.2 Test Specifications and Limits

##### 6.1.2.1 Specification

CFR 47 (FCC) part 2.1046 and part 22.913

##### 6.1.2.2 Supporting Standards

Table 13 Supporting Standards:

ANSI/TIA-603-C: 2004	Land Mobile FM or PM Communications Equipment Measurement and Performance Standards
ANSI/TIA-98-E: 2003	Recommended Minimum Performance Standards for CDMA2000 Spread Spectrum Mobile Stations

##### 6.1.2.3 Limits

Compliance with part 22.913, in no any case may the peak power of a Mobile Phone transmitter exceed 7 W. And calculate longitude ERP by following formula:  $ERP\ (dBm) = 10 \cdot \log(ERP_{in\ mwatts})$ ;  $EIRP\ (dBm) = ERP\ (dBm) + 2.15dB$ .

Table 14 Limits

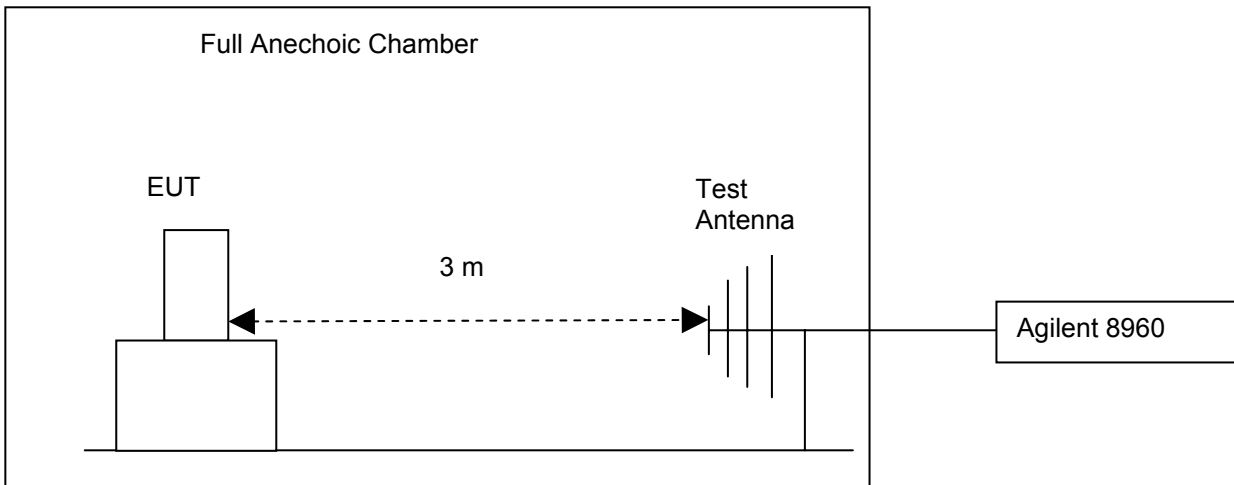
Maximum Output Power (Watts)	< 7 Watts
Maximum Output Power (dBm)	< 38.5 dBm

#### 6.1.3 Test Method and Setup

- For transmitters other than single sideband, independent sideband and controlled carrier radiotelephone, E.R.P. shall be measured when the transmitter is adjusted in accordance with the tune-up procedure to give the values of current and voltage on the circuit elements specified in 2.1033(c)(8). Connect the EUT to the wireless communication tester Agilent 8960 via the air interface. The band class is set as US Cellular.
- Test the Radiated maximum output power by the Agilent 8960 received from test antenna.
- Use substitution method to verify the Maximum output power. The EUT is substituted by substitution antenna, which is connected to a signal generator. And then adjust the output level of the signal generator to get the same received power recorded in step (b) on Agilent 8960, and record the power level of signal generator. Of course, the cable loss at the test frequency should be compensated.

## Test setup

### Step 1: Pre-test



### Step 2: Substitution method to verify the maximum ERP

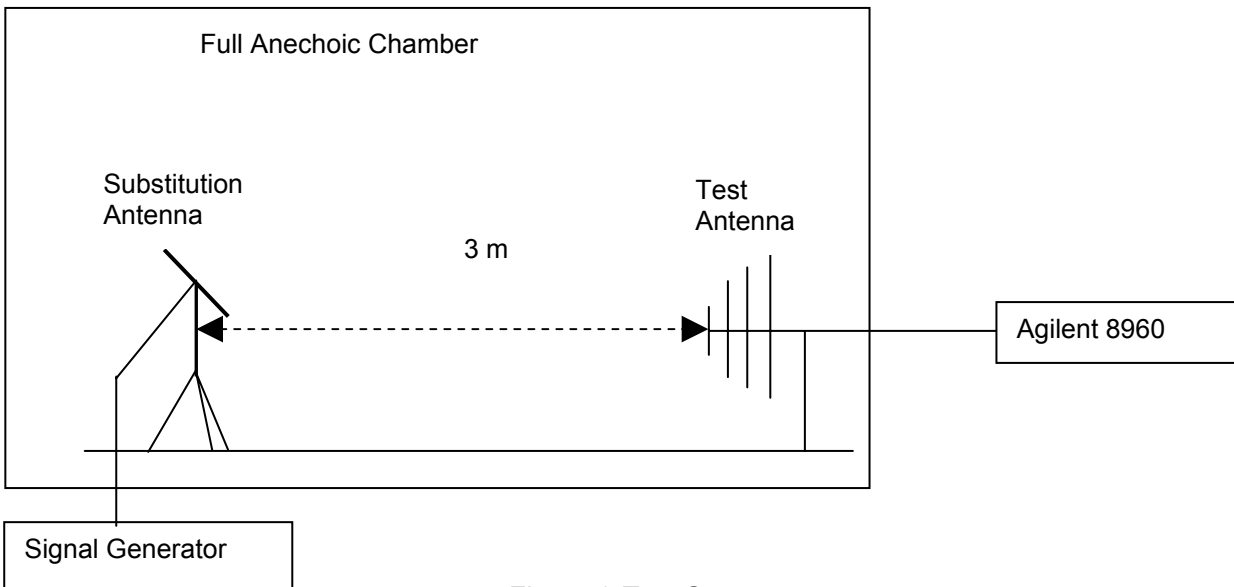


Figure 1. Test Set-up

NOTE: Effective radiated power (ERP) refers to the radiation power output of the EUT, assuming all emissions are radiated from half-wave dipole antennas.

### 6.1.3.1 Measurement Results

Table 15 Measurement Results

TEST CONDITIONS		RF Output Power					
		Channel1013(B) 824.7MHz		Channel 283(M) 833.49MHz		Channel777(T) 848.31MHz	
		dBm		dBm		dBm	
		Measured	Limit	Measured	Limit	Measured	Limit
TM1	T <sub>nom</sub> (24 °C) V <sub>nom</sub> (3.7 V)	19.70	38.5	19.80	38.5	19.79	38.5
TM3	T <sub>nom</sub> (24 °C) V <sub>nom</sub> (3.7 V)	19.74	38.5	19.78	38.5	19.80	38.5

### 6.1.3.2 Substitution Results

Table 16 Substitution Results

Test Mode	Freq. [MHz]	Meas. Level [dBm]	Substitution Antenna Type	SGP [dBm]	Substitution Gain [dBd]	Cable Loss [dB]	Substitution Level (ERP) [dBm]	Limit [dBm]	Result
TM1	824.7	19.70	Dipole Ant.	23.20	-2.95	0.6	19.65	38.5	Pass
TM1	833.49	19.80	Dipole Ant.	23.42	-3.06	0.6	19.76	38.5	Pass
TM1	848.31	19.79	Dipole Ant.	23.48	-3.11	0.6	19.77	38.5	Pass
TM3	824.7	19.74	Dipole Ant.	23.24	-2.95	0.6	19.69	38.5	Pass
TM3	833.49	19.78	Dipole Ant.	23.44	-3.06	0.6	19.78	38.5	Pass
TM3	848.31	19.80	Dipole Ant.	23.50	-3.11	0.6	19.79	38.5	Pass

Note:

a) For get the ERP (Efficient Radiated Power) in substitution method, the following formula should take to calculate it,

$$\text{ERP [dBm]} = \text{SGP [dBm]} - \text{Cable Loss [dB]} + \text{Gain [dBd]}$$

SGP: Signal Generator Level

b) A CDMA signal with bandwidth of 1.23MHz is created by the vector generator R&S SMU200A.

c) RBW=10 kHz, VBW=300 kHz, and integrated by the instrument to 1.23MHz.

### 6.1.4 Conclusion

The equipment **PASSED** the requirement of this clause.

## 6.2 Conducted output power

### 6.2.1 Test Conditions

Table 17 Test Conditions

Preconditioning:	0.5 hour
Measured at:	Antenna connector
Ambient temperature:	24 °C
Relative humidity:	54%
Test Configurations:	TM1 and TM3 at frequency B, M, T

### 6.2.2 Test Specifications and Limits

#### 6.2.2.1 Specification

CFR 47 (FCC) part 2.1046 and part 22.913

#### 6.2.2.2 Supporting Standards

Table 18 Supporting Standards:

ANSI/TIA-603-C:2004	Land Mobile FM or PM Communications Equipment Measurement and Performance Standards
ANSI/TIA-98-E: 2003	Recommended Minimum Performance Standards for cdma2000 Spread Spectrum Mobile Stations

#### 6.2.2.3 Limits

Compliance with part 22.913, in no any case may the peak power of a Mobile Phone transmitter exceed 7 W. The calculated longitude ERP by following formula:

$$ERP \text{ (dBm)} = 10 \cdot \log (ERP_{\text{in mwatts}}).$$

And for conducted power, we can use Antenna Gain to calculate the limit. So the conducted power:

$$P_{\text{cod}} \text{ (dBm)} = ERP \text{ (dBm)} - \text{Gain (dBd)}.$$

$$\text{Gain (dBd)} = \text{Gain (dBi)} - 2.15\text{dB}$$

Table 19 Limits

Maximum Output Power (Watts):	< 7 Watts (= 38.5 dBm)
Antenna Gain(dBi):	-2 dBi
Antenna Gain(dBd):	-4.15 dBd
Maximum Conducted Output Power (dBm):	< 42.65 dBm

### 6.2.3 Test Method and Setup

(a)For transmitters other than single sideband, independent sideband and controlled carrier radiotelephone, Conducted maximum power shall be measured when the transmitter is adjusted in

accordance with the tune-up procedure to give the values of current and voltage on the circuit elements specified in 2.1033(c)(8). Connect the Mobile Phone to the wireless communication tester Agilent 8960 via the antenna connector. The band class is set as US Cellular.  
 (b)Test the Conducted maximum output power by the Agilent 8960.

**Test setup**

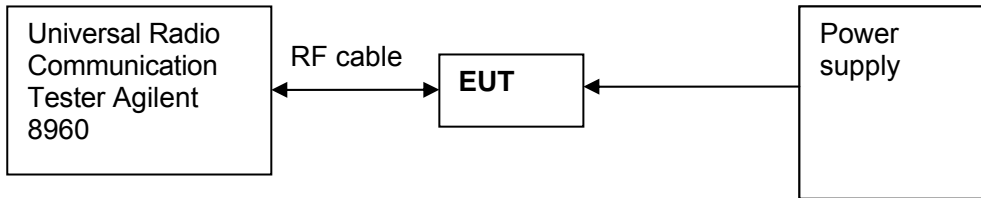


Figure 2. Test Set-up

**6.2.4 Measurement Results**

Table 20 Measurement Results

TEST CONDITIONS		RF Output Power					
		Channel 1013(B) 824.7MHz		Channel 283(M) 833.49MHz		Channel 777(T) 848.31MHz	
		dBm		dBm		dBm	
		Measured	Limit	Measured	Limit	Measured	Limit
TM1	T <sub>nom</sub> (24 °C) V <sub>nom</sub> (3.7 V)	23.87	42.65	23.95	42.65	23.96	42.65
TM3	T <sub>nom</sub> (24 °C) V <sub>nom</sub> (3.7 V)	23.92	42.65	23.97	42.65	23.98	42.65

**6.2.5 Conclusion**

The equipment **PASSED** the requirement of this clause.



## 6.3 Modulation Characteristics

### 6.3.1 Test Conditions

Table 21 Test Conditions

Preconditioning:	1 hour
Measured at:	Antenna connector
Ambient temperature:	24 °C
Relative humidity:	54 %
Test Configurations:	TM1 and TM3 at frequency M

### 6.3.2 Test Specifications and Limits

#### 6.3.2.1 Specification

CFR 47 (FCC) part 2.1047 and part 22 subpart H

#### 6.3.2.2 Supporting Standards

Table 22 Supporting Standards:

ANSI/TIA-603-C: 2004	Land Mobile FM or PM Communications Equipment Measurement and Performance Standards
ANSI/TIA-98-E: 2003	Recommended Minimum Performance Standards for cdma2000 Spread Spectrum Mobile Stations

#### 6.3.2.3 Limits

No specific modulation characteristics requirement limits in part 2.1047 and part 22 subpart H.

Table 23 Limits

Limits	Not applicable
--------	----------------

### 6.3.3 Test Method and Setup

Connect the Mobile Phone to the Universal Radio Communication Tester CMU200 via the antenna connector. The band class is set as US Cellular; the Mobile Phone's output is matched with 50 Ω loads. Test method was according to ANSI/TIA-98-E. The waveform quality and constellation of the Mobile Phone was tested.

#### Test setup

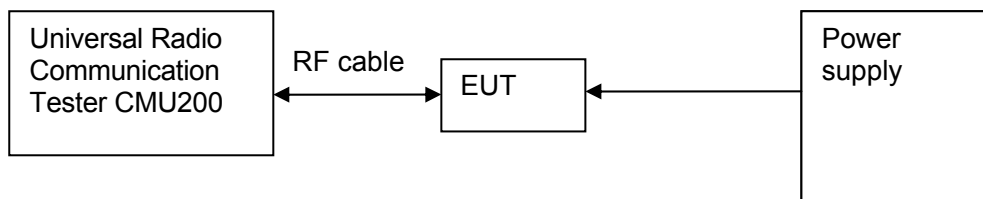


Figure 3. Test Set-up

### 6.3.4 Measurement Results

Table 24 Measurement Results

TEST CONDITIONS		Modulation Characteristic	
		Channel283(M) 833.49MHz	
		Measured	
		TM1	TM3
T <sub>nom</sub> (24 °C)	V <sub>nom</sub> (3.7V)	Refer to Appendix A	Refer to Appendix A

### 6.3.5 Conclusion

The equipment **PASSED** the requirement of this clause.  
For the measurement results refer to appendix A.

## 6.4 Occupied Bandwidth

### 6.4.1 Test Conditions

Table 25 Test Conditions

Preconditioning:	1 hour
Measured at:	Antenna connector
Ambient temperature:	24 °C
Relative humidity:	54%
Test Configurations:	TM1 and TM3 at frequency B, M, T

### 6.4.2 Test Specifications and Limits

#### 6.4.2.1 Specification

CFR 47 (FCC) part 2.1049 and part 22 subpart H

#### 6.4.2.2 Supporting Standards

Table 26 Supporting Standards:

ANSI/TIA-603-C: 2004	Land Mobile FM or PM Communications Equipment Measurement and Performance Standards
ANSI/TIA-98-E: 2003	Recommended Minimum Performance Standards for cdma2000 Spread Spectrum Mobile Stations

#### 6.4.2.3 Limits

No specific occupied bandwidth requirement in part 22 subpart H, but the occupied bandwidth was defined in part 2.1049: the frequency bandwidth such that, below its lower and above its upper frequency limits, the mean powers radiated are each equal to 0.5 percent of the total mean power radiated by a given emission shall be measured.

Table 27 Limits

Upper / Lower frequency limits	0.5% of the mean power
--------------------------------	------------------------

### 6.4.3 Test Method and Setup

The EUT was connected to the wireless communication test set Agilent 8960 and the Spectrum Analyzer E4445A via the divider. The band class is set as US Cellular. The EUT was controlled to transmit Maximum power. Measure and record the Occupied Bandwidth of the EUT by the Spectrum Analyzer E4445A.

The OBW, that is the frequency bandwidth such that, below its lower and above its upper frequency limits, the mean powers radiated are each equal to 0.5 percent of the total mean power radiated by a given emission shall be measured under the following conditions as applicable:

Refer to 47CFR part2.1049 section (g)&(h).

(g) Transmitter in which the modulating base band comprises not more than three independent channels - when modulated by the full complement of signals for which the transmitter is rated. The level of modulation for each channel should be set to that prescribed in rule parts applicable to the

services for which the transmitter is intended. If specific modulation levels are not set forth in the rules, the tests should provide the manufacturer's maximum rated condition.

(h) Transmitters employing digital modulation techniques - when modulated by an input signal such that its amplitude and symbol rate represent the maximum rated conditions under which the equipment will be operated. The signal shall be applied through any filter networks, pseudorandom generators or other devices required in normal service. Additionally, the occupied bandwidth shall be shown for operation with any devices used for modifying the spectrum when such devices are optional at discretion of the user.

Measurement bandwidth (RBW): 30 kHz  
 Video bandwidth (VBW): 300 kHz

**Test Set-up**

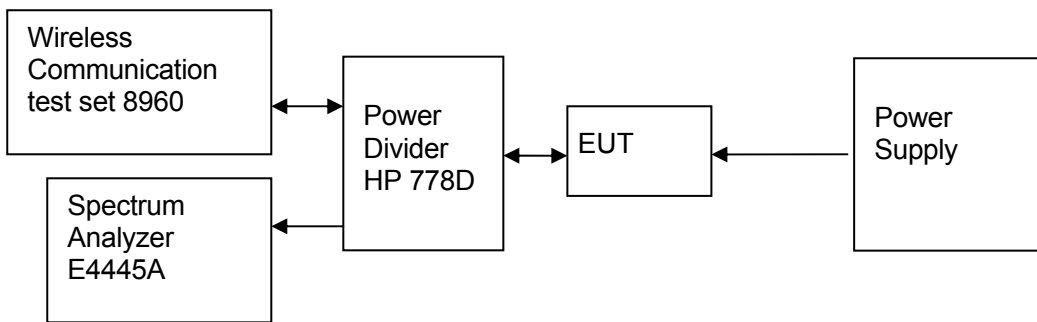


Figure 4. Test Set-up

**6.4.4 Measurement Results**

Table 28 Measurement Results

TEST CONDITIONS		Occupied Bandwidth					
		Channel1013 (B) 824.7MHz		Channel 283 (M) 833.49MHz		Channel777(T) 848.31MHz	
		Measured (MHz)		Measured (MHz)		Measured (MHz)	
		TM1	TM3	TM1	TM3	TM1	TM3
T <sub>nom</sub> (24 °C)	V <sub>nom</sub> (3.7V)	1.2741	1.2699	1.2728	1.2724	1.2709	1.2701

**6.4.5 Conclusion**

The equipment **PASSED** the requirement of this clause.  
 For the measurement results refer to appendix B.

## 6.5 Band Edges Compliance

### 6.5.1 Test Conditions

Table 29 Test Conditions

Preconditioning:	1 hour
Measured at:	Antenna connector
Ambient temperature:	25°C
Relative humidity:	50 %
Test Configurations:	TM1 and TM3 at frequency B, T

### 6.5.2 Test Specifications and Limits

#### 6.5.2.1 Specification

CFR 47 (FCC) part 2.1051 and part 22.917

#### 6.5.2.2 Supporting Standards

Table 30 Supporting Standards:

ANSI/TIA-603-C: 2004	Land Mobile FM or PM Communications Equipment Measurement and Performance Standards
ANSI/TIA-98-E: 2003	Recommended Minimum Performance Standards for cdma2000 Spread Spectrum Mobile Stations

#### 6.5.2.3 Limits

Compliance with 22.917, all spurious emission must be attenuated below the transmitter power by at least  $43 + 10 \log_{10} P$  (Whereas P is the rated power of the EUT in Watt).

Table 31 Limits

conducted rated power:	24 dBm
Required attenuation:	$43 + 10 \log_{10} (0.251) = 37 \text{ dB}$ ; 24 dBm - 37 dB
Absolute level	-13 dBm

### 6.5.3 Test Method and Setup

The EUT was connected to the wireless communication test set Agilent 8960 and the Spectrum Analyzer E4445A via the divider, the band class is set as US Cellular. The EUT was controlled to transmit Maximum power. Measure and record Band edge compliance of the EUT by the E4445A.

Measurement bandwidth (RBW): 13 kHz (Resolution bandwidth)  
Video bandwidth (VBW): 130 kHz

#### Test Set-up

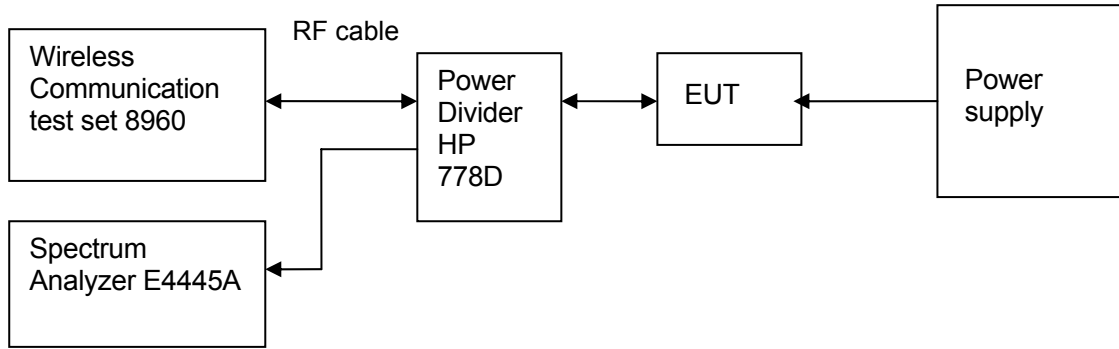


Figure 5. Test Set-up

### 6.5.4 Measurement Results at Band Edges

Table 32 Measurement Results outside Band Edges-- Single Carrier

Band	Frequency of Band edges [MHz]	Channel Number	Test Mode	Conducted Rated Power [dBm]	Spurious Level measured [dBm]	FCC limit	Result
$T_{nom} (25\text{ }^{\circ}\text{C}), V_{nom} (3.7\text{V})$							
Cellular Band	824	1013 (B)	TM1 & TM3	24.00	<-13 (See appendix C)	-13 dBm	Pass
	849	777 (T)	TM1 & TM3	24.00	<-13 (See appendix C)	-13 dBm	Pass

### 6.5.5 Conclusion

The equipment **PASSED** the requirement of this clause.  
For the measurement results refer to appendix C.

## 6.6 Spurious Emission at Antenna Terminal

### 6.6.1 Test Conditions

Table 33 Test Conditions

Preconditioning:	1 hour
Measured at:	Antenna connector
Ambient temperature:	24°C
Relative humidity:	52 %
Test Configurations:	TM1 and TM3 at frequency B, M, T

### 6.6.2 Test Specifications and Limits

#### 6.6.2.1 Specification

CFR 47 (FCC) part 2.1051 and part 22.917

#### 6.6.2.2 Supporting Standards

Table 34 Supporting Standards:

ANSI/TIA-603-C: 2004	Land Mobile FM or PM Communications Equipment Measurement and Performance Standards
ANSI/TIA-98-E: 2003	Recommended Minimum Performance Standards for cdma2000 Spread Spectrum Mobile Stations

#### 6.6.2.3 Limits

Compliance with part 22.917, all spurious emission must be attenuated below the transmitter power by at least  $43 + 10 \log_{10} P$  (Whereas P is the rated power of the EUT in Watt).

Table 35 Limits

conducted rated power:	24 dBm
Required attenuation:	$43 + 10 \log(0.251) = 37 \text{ dB}$ ; 24 dBm - 37 dB
Absolute level	-13 dBm

### 6.6.3 Test Method and Setup

The EUT was connected to the wireless communication test set Agilent 8960 and the Spectrum Analyzer E4445A via the divider, the band class is set as US Cellular. The EUT was controlled to transmit Maximum power. Measure and record the Conducted Spurious Emission of the EUT by the Spectrum Analyzer E4445A.

According to part 22.917, the defined measurement bandwidth as following:

22.917(b) Measurement procedure: Compliance with these rules is based on the use of measurement instrumentation employing a resolution bandwidth of 100 kHz or greater.

Measurement bandwidth (RBW) for 9 kHz up to 150 kHz: 1 kHz;  
 Measurement bandwidth (RBW) for 150 kHz up to 30 MHz: 10 kHz;  
 Measurement bandwidth (RBW) for 30MHz up to 1 GHz: 100 kHz;

Measurement bandwidth (RBW) for 1GHz up to 12.75 GHz: 1 MHz;

**Test Set-up**

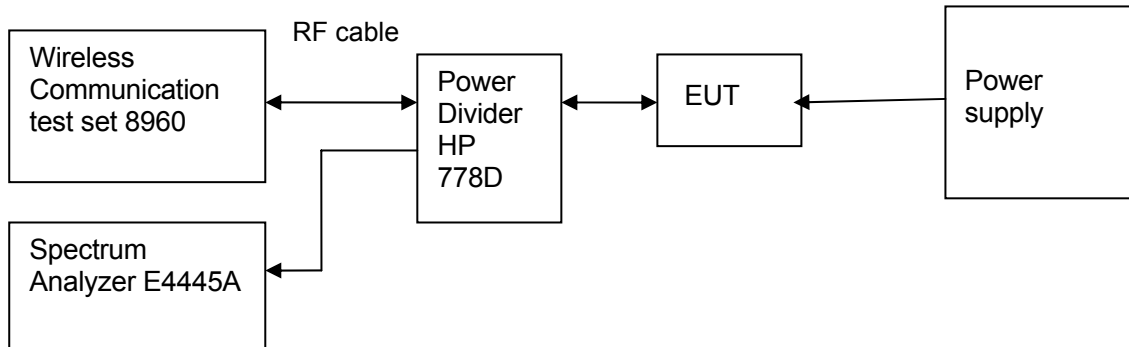


Figure 6. Test Set-up

**6.6.4 Measurement Results at Conducted Spurious Emission**

Table 36 Measurement Results

Channel Number	Test Mode	Test Range (Frequency)	Conducted Rated Power [dBm]	Spurious Level measured [dBm]	FCC limit	Result
Channel 1013(B)	TM1	9 kHz ~12.75GHz	24.00	<- 13 dBm (See appendix D)	- 13 dBm	Pass
	TM3	9 kHz ~12.75GHz	24.00	<- 13 dBm (See appendix D)	- 13 dBm	Pass
Channel 283(M)	TM1	9 kHz ~12.75GHz	24.00	<-13 dBm (See appendix D)	-13 dBm	Pass
	TM3	9 kHz ~12.75GHz	24.00	<-13 dBm (See appendix D)	-13 dBm	Pass
Channel 777(T)	TM1	9 kHz ~12.75GHz	24.00	<-13 dBm (See appendix D)	-13 dBm	Pass
	TM3	9 kHz ~12.75GHz	24.00	<-13 dBm (See appendix D)	-13 dBm	Pass

**6.6.5 Conclusion**

The equipment **PASSED** the requirement of this clause.  
For the measurement results refer to appendix D.



## 6.7 Radiated Spurious Radiation

### 6.7.1 Test Conditions

Table 37 Test Conditions

Preconditioning:	1 hour
Measured at:	Enclosure
Ambient temperature:	22 °C
Relative humidity:	53 %
Test Configurations:	TM1 at frequency M

### 6.7.2 Test Specifications and Limits

#### 6.7.2.1 Specification

CFR 47 (FCC) part 2.1053 and part 22.917

#### 6.7.2.2 Supporting Standards

Table 38 Supporting Standards:

ANSI/TIA-603-C: 2004	Land Mobile FM or PM Communications Equipment Measurement and Performance Standards
ANSI/TIA-98-E: 2003	Recommended Minimum Performance Standards for cdma2000 Spread Spectrum Mobile Stations

#### 6.7.2.3 Limits

Compliance with 22.917, all spurious emission must be attenuated below the transmitter power by at least  $43 + 10 \log_{10} P$  (Whereas P is the rated power of the EUT in Watt).

Table 39 Limits

conducted rated power:	24 dBm
Required attenuation:	$43 + 10 \log(0.251) = 37$ dB; 24 dBm - 37 dB
Absolute level	-13 dBm

### 6.7.3 Test Method and Setup

(a) Measurements were made to detect spurious emissions radiated directly from the cabinet, control circuits, power leads, or intermediate circuit elements under normal conditions of installation and operation. Curves or equivalent data were supplied showing the magnitude of each harmonic and other spurious emission. For this test, single sideband, independent sideband, and controlled carrier transmitters shall be modulated under the conditions specified in paragraph 2.1049(c) as appropriate. For equipment operating on frequencies below 890 MHz, an Open Field Test is normally required with the measuring instrument antenna located in the far field at all test frequencies. In the event it is either impractical or impossible to make open field measurements (e.g. a broadcast transmitter installed in a building) measurement will be accepted of the equipment as installed. Such measurements must be accompanied by a description of the site where the measurements were made showing the location of any possible source of reflections, which might distort the field strength measurements. Information submitted shall include the relative radiated power of each spurious emission with the reference to the



rated power output of the transmitter, assuming all emissions are radiated from half-wave dipole antennas.

- (b) Measurements specified in paragraph (a) of this section shall be made for the following equipment:
- (1) Those in which the spurious emission are required to be 60 dB or more below the mean power of the transmitter.
  - (2) All equipment operating on frequencies higher than 25 MHz
  - (3) All equipment where the antenna is an integral part of, and attached directly to the transmitter.
  - (4) Other types of equipment as required, when deemed necessary by the Commission.

The EUT is equipment with an integral antenna. And it should test according to part (b) of above section.

A BTS simulator is connected to a communication antenna, by which communicates with the EUT inside the test site. The BTS simulator controls the EUT to transmit at maximum power which defined in specification of product when in traffic mode, field strength of spurious emission in idle mode were also tested. The EUT operates on a typical channel.

### **The test procedure**

- (a) For transmitters other than single sideband, independent sideband and controlled carrier radiotelephone, E.R.P. shall be measured when the transmitter is adjusted in accordance with the tune-up procedure to give the values of current and voltage on the circuit elements specified in 2.1033(c)(8). Connect the EUT to the BTS simulator via the air interface. The band class is set as US Cellular.
- (b) Test the Radiated maximum output power by the Rohde and Schwarz ESIB26 Test Receiver from test antenna.
- (c) Use substitution method to verify the Maximum output power. The EUT is substituted by a substitution antenna, which is connected to a signal generator. And then adjust the output level of the signal generator to get the same received power recorded in step (b) on ESIB26 Test Receiver, and record the power level of Signal Generator. Of course, the cable loss at the test frequency should be compensated.

According to part 22.917, the defined measurement bandwidth as following:

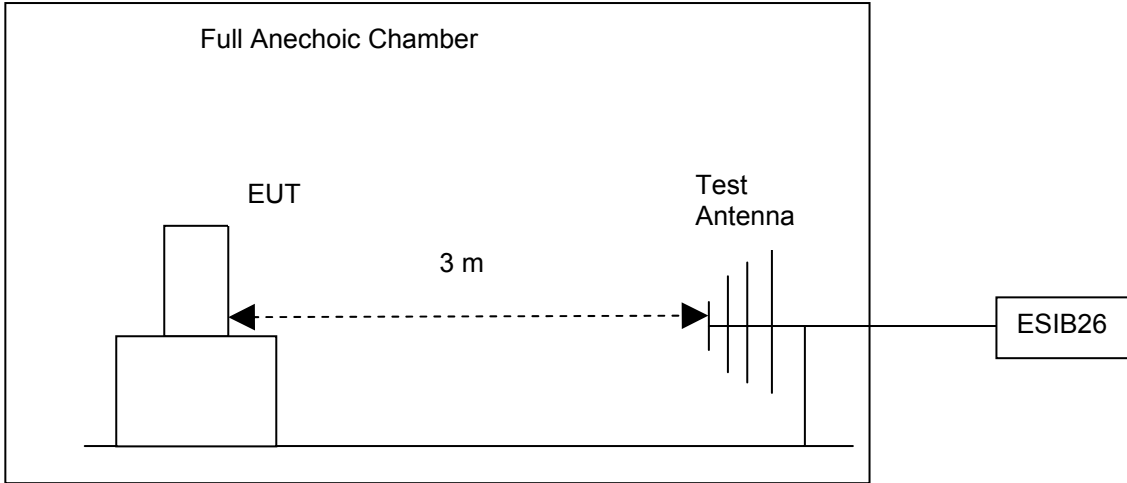
22.917(b) Measurement procedure: Compliance with these rules is based on the use of measurement instrumentation employing a resolution bandwidth of 100 kHz or greater.

Measurement bandwidth (RBW) for 9 kHz up to 1 GHz: 100 kHz;

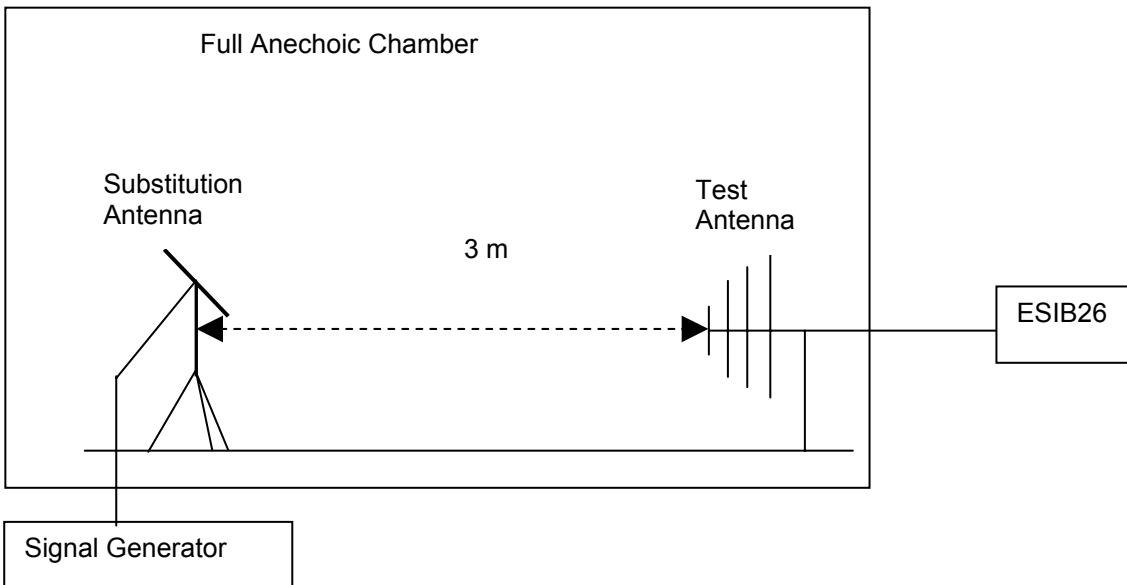
Measurement bandwidth (RBW) for 1GHz up to 18GHz: 1MHz;

**Test setup**

**Step 1: Pre-test**



**Step 2: Substitution method to verify the maximum ERP**



**Figure 7.** Test Set-up

NOTE: Effective radiated power (ERP) refers to the radiation power output of the EUT, assuming all emissions are radiated from half-wave dipole antennas.

## 6.7.4 Measurement Results

### 6.7.4.1 Pre-test Measurement Results

Table 40 Measurement Results

Channel Number	Test Range (Frequency)	Conducted Rated Power [dBm]	Spurious Level measured [dBm]	FCC limit	Result
283	9 kHz ~18GHz	24	<-13 dBm (See appendix E)	-13 dBm	Pass

### 6.7.4.2 Substitution Results

No peak found in pre- test. All frequency points' margin is bigger than 20dB, so the substitution method isn't used.

Calculation Sample:

Table 41 Substitution Results

Freq. [MHz]	Measurement Value [dBm]	Substitution Antenna Type	Gain [dBd]	Cable Loss [dB]	Signal Generator Level [dBm]	Substitution Level [dBm]	FCC limit [dBm]	Result

Note: For get the E.R.P. (Efficient Radiated Power) in substitution method, the following formula should take to calculate it,

$$\text{E.R.P. [dBm]} = \text{SGP [dBm]} - \text{Cable Loss [dB]} + \text{Gain [dBd]}$$

NOTE: SGP- Signal Generator Level

## 6.7.5 Conclusion

The equipment **PASSED** the requirement of this clause.  
For the measurement results refer to appendix E.



## 6.8 Frequency Stability

### 6.8.1 Test Conditions

Table 42 Test Conditions

Preconditioning:	1 hour
Measured at:	Antenna connector
Ambient temperature:	See below
Relative humidity:	54% at 25°C
Test Configurations:	TM1 and TM3 at frequency M

### 6.8.2 Test Specifications and Limits

#### 6.8.2.1 Specification

CFR 47 (FCC) part 2.1055 and part 22.355

#### 6.8.2.2 Supporting Standards

Table 43 Supporting Standards:

ANSI/TIA-603-C: 2004	Land Mobile FM or PM Communications Equipment Measurement and Performance Standards
EIA/TIA-98E: 2003	Recommended Minimum Performance Standards for cdma2000 Spread Spectrum Mobile Stations

#### 6.8.2.3 Limits

According to part 22.355, from 821MHz to 869MHz, for mobile device, the carrier frequency of each transmitter in the Public Mobile Services must be maintained within the tolerances 2.5ppm.

### 6.8.3 Test Method and Setup

The frequency stability shall be measured with variation of ambient temperature as follows:

- (1) From -30 ° to +50 ° centigrade for all equipment except that specified in subparagraphs (2) and (3) of paragraph 2.1055

(a) Frequency measurements shall be made at the extremes of the specified temperature range and at intervals of not more than 10° centigrade through the range. A period of time sufficient to stabilize all of the components of the oscillator circuit at each temperature level shall be allowed prior to frequency measurement. The short-term transient effects on the frequency of the transmitter due to keying (except for broadcast transmitters) and any heating element cycling normally occurring at each ambient temperature level also shall be shown. Only the portion or portions of the transmitter containing the frequency determining and stabilizing circuitry need be subjected to the temperature variation test.

(b) The frequency stability shall be measured with variation of primary supply voltage as follows:

- (1) Vary primary supply voltage from 85 to 115 percent of the nominal value for other than hand carried battery equipment.
- (2) For hand carried, battery powered equipment, reduce primary supply voltage to the battery operating end point, which shall be specified by the manufacturer.
- (3) The supply voltage shall be measured at the input to the cable normally provided with the equipment, or at the power supply terminals if cables are not normally provided. Effects on frequency of transmitter keying (except for broadcast transmitters) and any heating element cycling at the nominal supply

voltage and at each extreme also shall be shown.

(c) When deemed necessary, the Commission may require tests of frequency stability under conditions in addition to those specifically set out in paragraphs (a), (b), (c) of this section. (For example, measurements showing the effect of proximity to large metal objects, or of various types of antennas, may be required for portable equipment.)

The EUT can only work in such extreme voltage 3.5V and 4.2V, so here the EUT is tested in the 3.5V and 4.2V.

### Test Set up

Connect the EUT to the wireless Communication test set 8960 via the connector. Then measure the frequency error by the Wireless Communication test set 8960. The EUT's output is matched with a 50 Ω loads.

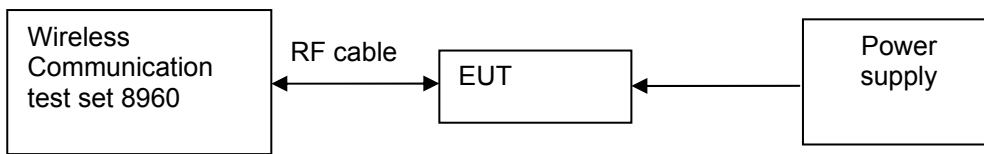


Figure 8. Test Set up

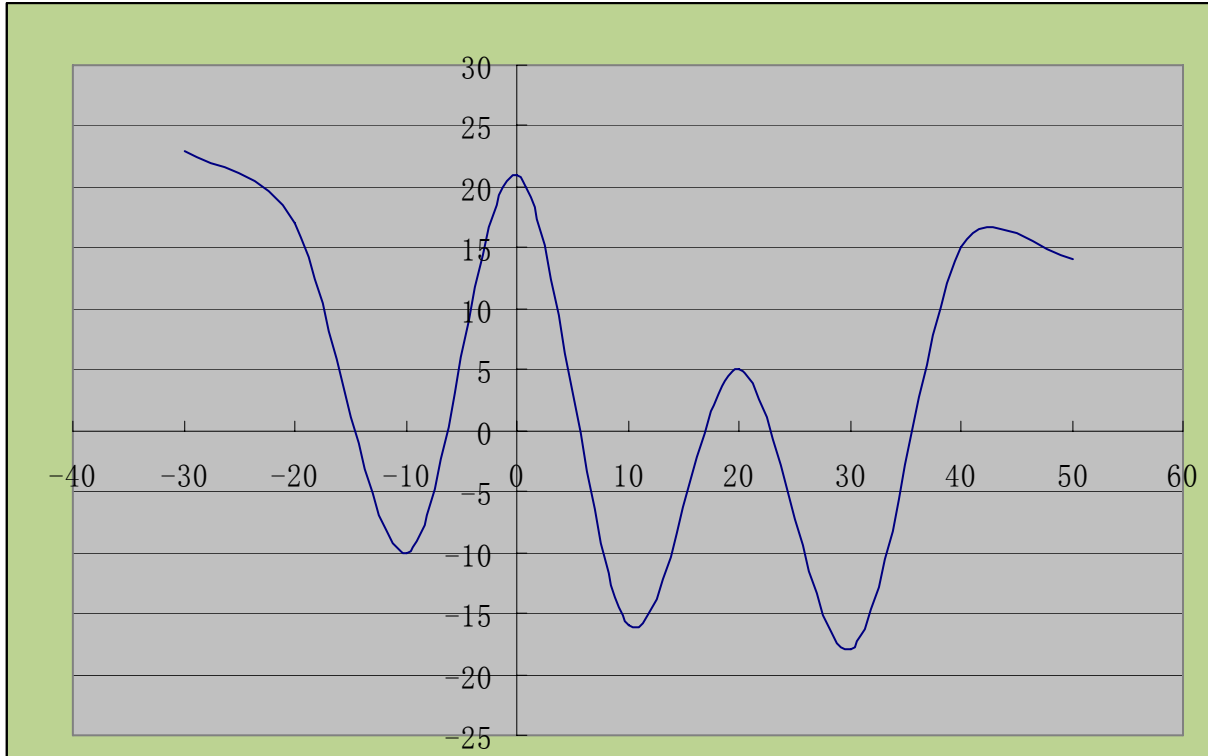
## 6.8.4 Measurement Results

### 6.8.4.1 Measurement Results vs. Variation of Temperature

- Cellular, TM1, 3.7V DC Channel No.283(833.49MHz)

Table 44 Measurement Results vs. Variation of Temperature - TM1

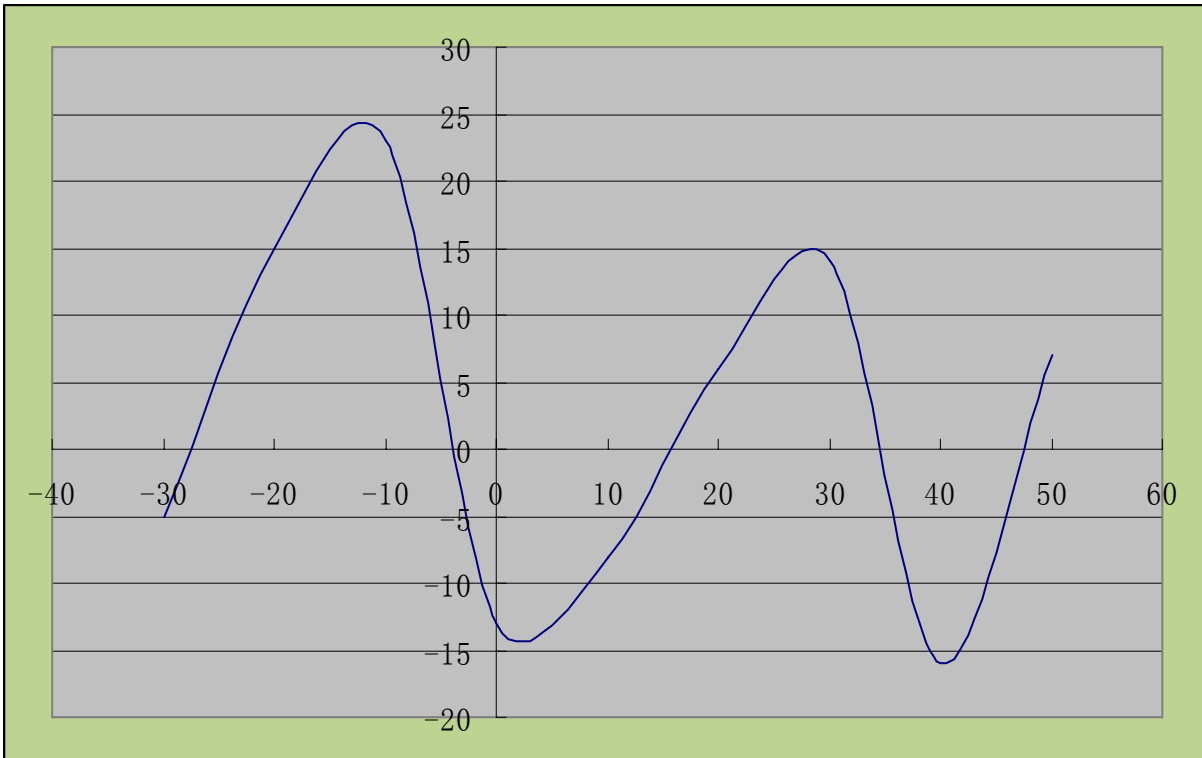
Temperature	Conducted Rated Power (dBm)	Nominal Frequency (MHz)	Measured Frequency Error(Hz)	Result
-30 °C	24	833.49	23	Pass
-20 °C	24	833.49	17	Pass
-10 °C	24	833.49	-10	Pass
0 °C	24	833.49	21	Pass
+10 °C	24	833.49	-16	Pass
+20 °C	24	833.49	5	Pass
+30 °C	24	833.49	-18	Pass
+40 °C	24	833.49	15	Pass
+50 °C	24	833.49	14	Pass



- Cellular, TM3, 3.7V DC Channel No.283(833.49MHz)

Table 45 Measurement Results vs. Variation of Temperature - TM3

Temperature	Conducted Rated Power (dBm)	Nominal Frequency (MHz)	Measured Frequency Error(Hz)	Result
-30 °C	24	833.49	-5	Pass
-20 °C	24	833.49	15	Pass
-10 °C	24	833.49	23	Pass
0 °C	24	833.49	-13	Pass
+10 °C	24	833.49	-8	Pass
+20 °C	24	833.49	6	Pass
+30 °C	24	833.49	14	Pass
+40 °C	24	833.49	-16	Pass
+50 °C	24	833.49	7	Pass



### 6.8.4.2 Measurement Results vs. Variation of Voltage

- **TM1, 25 °C ,Channel No. 283(833.49MHz)**

Table 46 Measurement Results vs. Variation of Voltage - TM1

Voltage	Conducted Rated Power (dBm)	Nominal Frequency (MHz)	Measured Frequency Error(Hz)	Result
3.5	24	833.49	16	Pass
3.7	24	833.49	9	Pass
4.2	24	833.49	-13	Pass

- **TM3, 25 °C ,Channel No. 283(833.49MHz)**

Table 47 Measurement Results vs. Variation of Voltage - TM3

Voltage	Conducted Rated Power (dBm)	Nominal Frequency (MHz)	Measured Frequency Error(Hz)	Result
3.5	24	833.49	-10	Pass
3.7	24	833.49	23	Pass
4.2	24	833.49	18	Pass

### 6.8.5 Conclusion

The equipment **PASSED** the requirement of this clause.



## 7 EMC Test

### 7.1 Conducted Emission at Power Port

#### 7.1.1 Test Conditions

Table 48 Test Conditions

Preconditioning:	1 hour
Measured at:	Power port
Ambient temperature:	23.5 °C
Relative humidity:	55 %
Test Configurations:	TM1 at frequency M

#### 7.1.2 Test Specifications and Limits

##### 7.1.2.1 Specification

CFR 47 (FCC) part 15.107

##### 7.1.2.2 Supporting Standards

Table 49 Supporting Standards:

ANSI C63.4: 2003	Methods of Measurement of Radio-Noise Emissions from Low Voltage Electrical and Electronic Equipment in the Range of 9 kHz to 40 GHz
------------------	--

##### 7.1.2.3 Limits

Compliance with part15.107, conducted emission must meet the requirement of following table.

Table 50 Limits

Frequency of Emission (MHz)	Conducted Limit (dBµV)	
	Quasi-peak	Average
0.15-0.5	66 to 56 *	56 to 46 *
0.5-5	56	46
5-30	60	50

Note: \* Decreases with the logarithm of the frequency.

#### 7.1.3 Test Method and Setup

The Table-top EUT was placed upon a non-metallic table 0.8 m above the horizontal metal reference ground plane. EUT was connected to LISN and LISN was connected to reference Ground Plane. EUT was 80cm from LISN. The set-up and test methods were according to ANSI C63.4: 2003.

Conducted Disturbance at AC Port measurements were undertaken on the L and N Lines. The emissions were measured using a Quasi-Peak Detector and Average Detector.

The EUT was communicated with the BTS simulator through Air interface, the BTS simulator controls the EUT to transmitter the maximum power which defined in specification of product. The EUT operated on the typical channel.

Measurement bandwidth (RBW) for 150kHz to 30 MHz: 9 kHz;

### Test Set-up

The EUT was setup in the screened chamber and operated under nominal conditions.

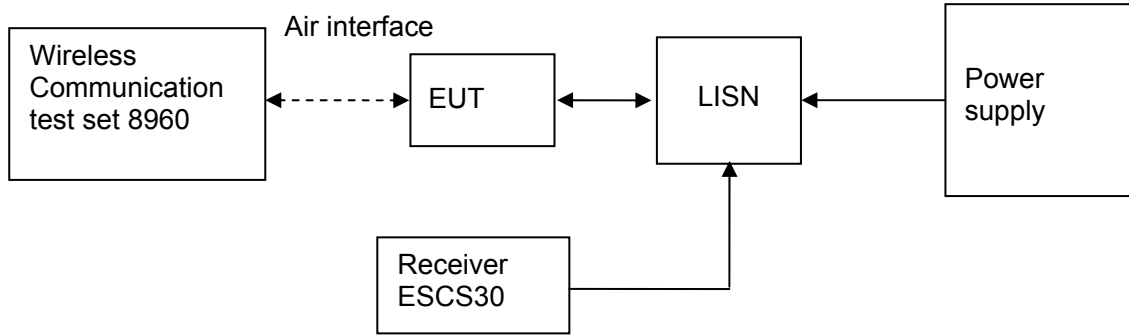


Figure 9. Test Set-up

### 7.1.4 Measurement Results

Table 51 MEASUREMENT RESULT:QP DECTER

Frequency (MHz)	Level (dBμV)	Transd (dB)	Limit (dBμV)	Margin (dB)	Line	PE
0.222000	47.60	10.0	63	15.4	N	FLO
0.429000	45.80	10.0	57	11.2	N	FLO
0.519000	45.70	10.1	56	10.3	N	FLO
1.180500	42.80	10.1	56	13.2	N	FLO
2.548500	41.60	10.1	56	14.4	N	FLO
7.741500	30.30	10.2	60	29.7	N	FLO

Table 52 MEASUREMENT RESULT:AV DECTER

Frequency (MHz)	Level (dBμV)	Transd (dB)	Limit (dBμV)	Margin (dB)	Line	PE
0.213000	35.90	10.0	53	17.1	N	FLO
0.424500	33.70	10.0	47	13.3	N	FLO
1.176000	28.90	10.1	46	17.1	N	FLO
2.553000	22.30	10.1	46	23.7	N	FLO
7.102500	15.60	10.2	50	34.4	N	FLO
20.778000	10.70	10.4	50	39.3	N	FLO

### 7.1.5 Conclusion

Two adapters are all tested in the EMC test, here the worse result are showed. The equipment **PASSED** the requirement of this clause. For the measurement results refer to appendix F.

## 7.2 Radiated Emission of Enclosure in idle mode

### 7.2.1 Test Conditions

Table 53 Test Conditions

Preconditioning:	0.5 hour
Measured at:	enclosure
Ambient temperature:	25 °C
Relative humidity:	45 %
Test Configurations:	TM1 at frequency M

### 7.2.2 Test Specifications and Limits

#### 7.2.2.1 Specification

CFR 47 (FCC) part 15.109

#### 7.2.2.2 Supporting Standards

Table 54 Supporting Standards:

ANSI C63.4: 2003	Methods of Measurement of Radio-Noise Emissions from Low Voltage Electrical and Electronic Equipment in the Range of 9 kHz to 40 GHz
------------------	--

#### 7.2.2.3 Limits

The Radiated Emission of enclosure of EUT should compliance with the requirement of part 15.109. The limit showed in following table.

Table 55 Limits

Frequency of Emission (MHz)	Radiated Limit	
	Unit( $\mu$ v/m)	Unit(dB $\mu$ V/m)
30-88	100	40
88-216	150	43.5
216-960	200	46
960-1000	500	54

### 7.2.3 Test Method and Setup

The test site semi-anechoic chamber has met the requirement of NSA tolerance 4dB according to the standards: ANSI C63.4 (2003). The test distance was 3m. The EUT was set-up on insulator 80cm above the Ground Plane. The set-up and test methods were according to ANSI C63.4. The Radiated Disturbance measurements were made using a Rohde and Schwarz ESMI Test Receiver and control software ES-K1.

A preliminary scan and a final scan of the emissions were made from 30 MHz to 1GHz by using test

script of software; the emissions were measured using a Quasi-Peak Detector. The maximal emission value was acquired by adjusting the antenna height, polarisation and turntable azimuth in accordance with the software setup. Normally, the height range of antenna was 1m to 4m, the azimuth range of turntable was 0° to 360°, The receive antenna has two polarizations Vertical and Horizontal.

The EUT was communicated with the BTS simulator through Air interface. The EUT operated on the typical channel and the EUT worked in idle mode, transmitter was not work in this test.

Measurement bandwidth: 30 MHz – 1000 MHz: 120 k Hz

### Test set up

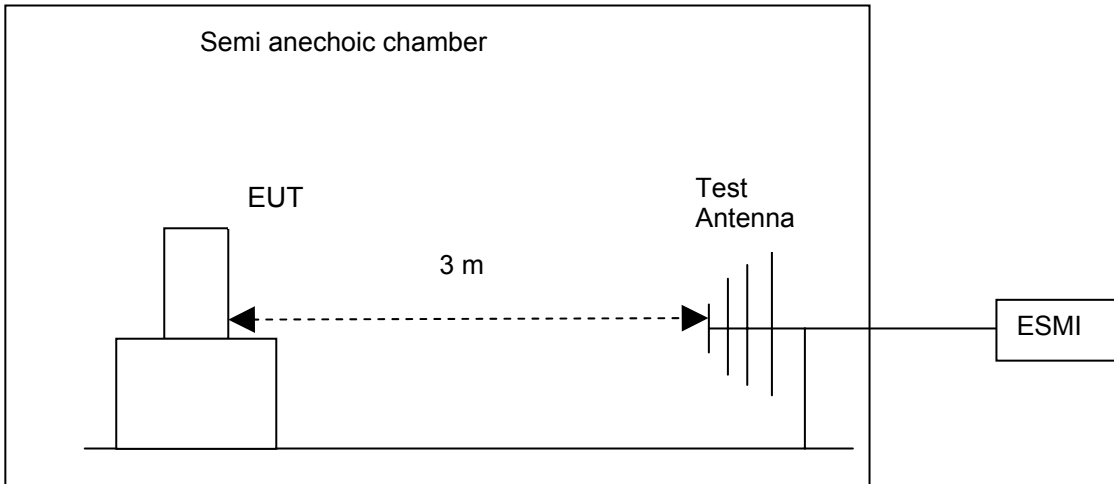


Figure 10. Test set up

### 7.2.4 Measurement Results

Table 56 MEASUREMENT RESULT: QP DECTER

Frequency (MHz)	Level (dBμV/m)	Transd (dB)	Limit (dBμV/m)	Margin (dB)	Height (cm)	Azimuth (deg)	Polarisation
33.120000	23.20	11.7	40.0	16.8	100.0	320.00	VERTICAL
53.280000	22.70	12.7	40.0	17.3	100.0	260.00	VERTICAL
108.900000	20.50	12.4	43.5	23.0	263.0	66.00	HORIZONTAL
219.180000	21.50	12.9	46.0	24.5	174.0	163.00	HORIZONTAL
542.040000	29.70	20.9	46.0	16.3	244.0	46.00	HORIZONTAL
961.920000	36.20	26.6	54.0	17.8	231.0	276.00	HORIZONTAL

### 7.2.5 Conclusion

Two adapters are all tested in the EMC test, here the worse result are showed. The equipment **PASSED** the requirement of this clause. For the measurement results refer to appendix G.

## 8 System Measurement Uncertainty

For a 95% confidence level, the measurement expanded uncertainties for defined systems, in accordance with the recommendations of ISO 17025 as following:

Table 57 System Measurement Uncertainty

Items		Extended Uncertainty
Effective Radiated Power of Transmitter	ERP(dBm)	U=2.2dB; k=2
Band Width	Magnitude (%)	U=0.2%; k=2
Band Edge Compliance	Disturbance Power (dBm)	U=2.0dB; k=2
Conducted Spurious Emission at Antenna Terminal	Disturbance Power (dBm)	U=2.0dB; k=2
Frequency Stability	Frequency Accuracy(ppm)	U=0.21ppm; k=2
Field Strength of Spurious Radiation	ERP(dBm)	U=2.22dB; k=2
Conducted Output Power	Power(dBm)	U=0.39dB; k=2
Conducted Emission at Power Port	Disturbance Voltage (dB $\mu$ V)	U=4dB; k=2
Radiated Emission of enclosure at idle mode	Field strength (dB $\mu$ V/m)	U=5dB; k=2



## 9 Appendixes

Appendix A	Measurement Results Modulation Characteristics	3 pages
Appendix B	Measurement Results Occupied Bandwidth	7 pages
Appendix C	Measurement Results Band Edges	5 pages
Appendix D	Measurement Results Spurious Emission at Antenna Terminal	31 pages
Appendix E	Measurement Results Radiated Spurious Emission	4 pages
Appendix F	Measurement Results Conducted Emission at Power Port	2 pages
Appendix G	Measurement Results Radiated Emission of Enclosure at Ideal Mode	2 pages
Appendix H	Photos of Test Setup	3 pages

**(END OF REPORT)**