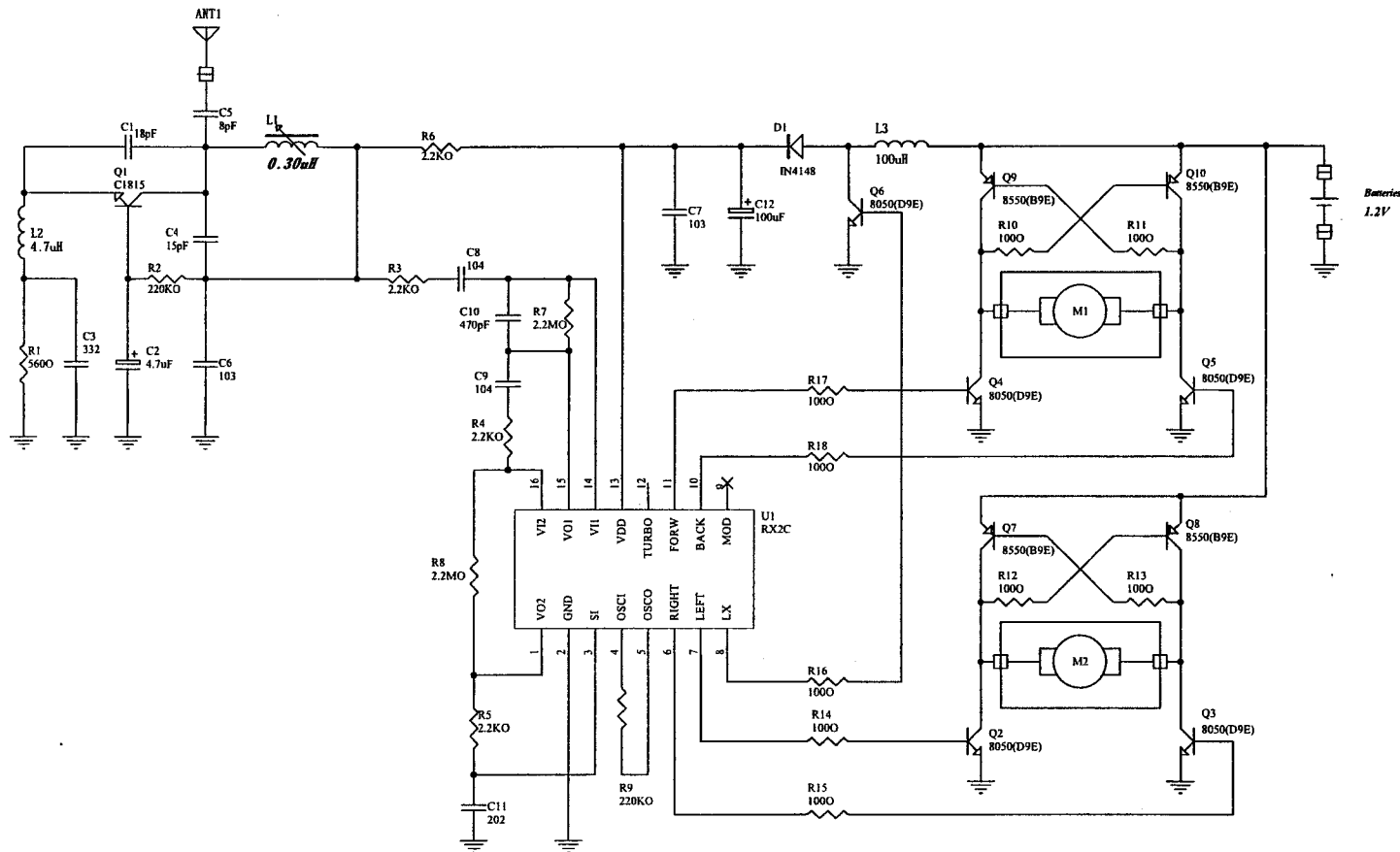


SCHEMATIC DIAGRAM



49.860M

Model No.: 1846

電氣參數 Electrical Characteristics

Sensitivity:	50dBu	Operating Voltage:	1.2V	Remote Distance:	3---5 m
Operating Current:	110---220mA	Center Frequency:	27MHz	Run times:	>2 minutes

Sunlight 旭 ELECTRONIC TOYS MFR. CO., LTD.	EN-051-01	Rev:00
	Page 1 Of 1	
Drawn: 李冰昌	Date: 20-Feb-2003	
Product Number:	Checked:	Date:
Product Name: Go Cart	Approved:	Date: