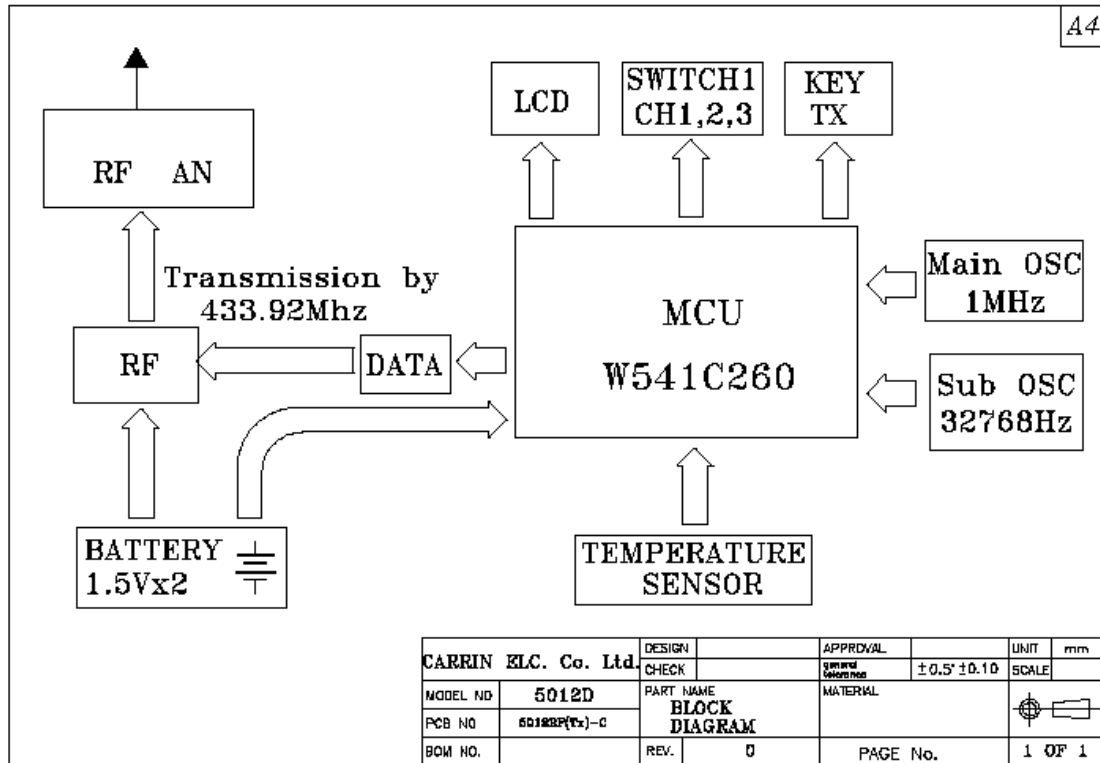
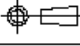


Applicant: Carrin Electronics Co., Ltd.  
 FCC ID: Q9E-KW5012



CARRIN ELC. Co. Ltd		DESIGN CHECK	APPROVAL	UNIT	mm
MODEL NO.	5012D	PART NAME	general tolerance	±0.5'±0.10	SCALE
PCB NO.	50122P(Tx)-C	<b>BLOCK DIAGRAM</b>	MATERIAL		
BOM NO.		REV.	0	PAGE No.	1 OF 1