

RE: Certification Application

Product Serie / PMN: ODIN-W2
 Model / HVIN: ODIN-W260 and ODIN-W262
 FCC ID: PVH0965
 IC: 5325A-0965

Registered number: 556589-0851

Phone +46 40 630 71 00
 Fax +46 40 237 137

info@u-blox.com
 support@u-blox.com

Block Diagram of OEM-WLAN/Bluetooth module ODIN-W2

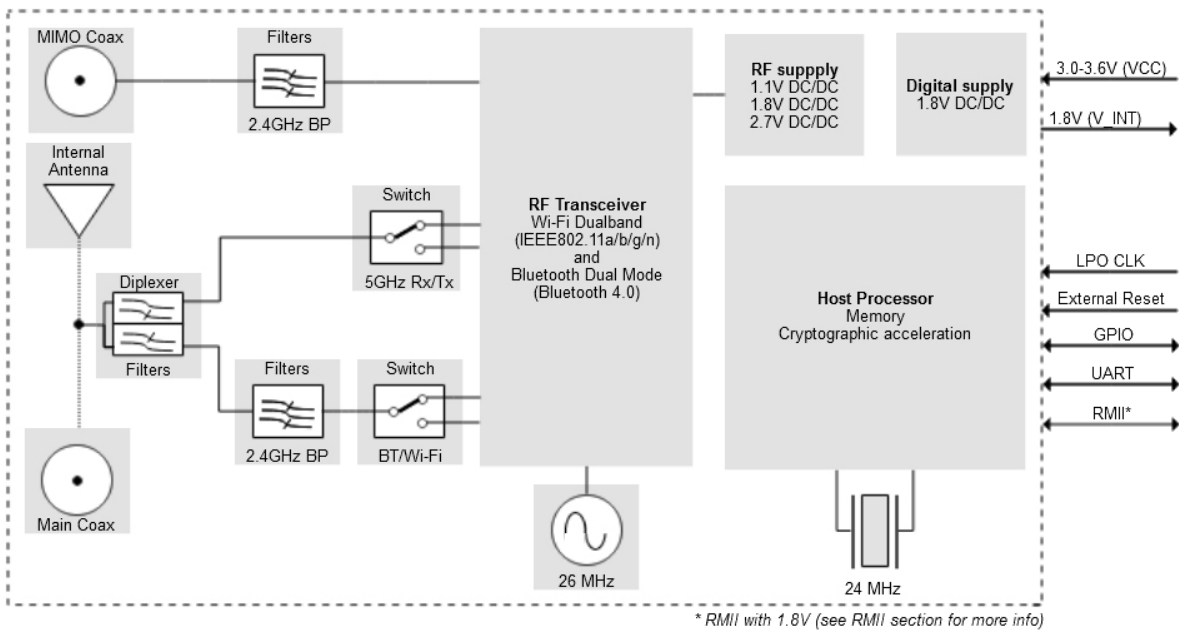


Figure-1 - ODIN-W2 block diagram. The two coaxial connectors (Main and MIMO) are only mounted on ODIN-W260 and the internal antenna is only mounted on ODIN-W262.