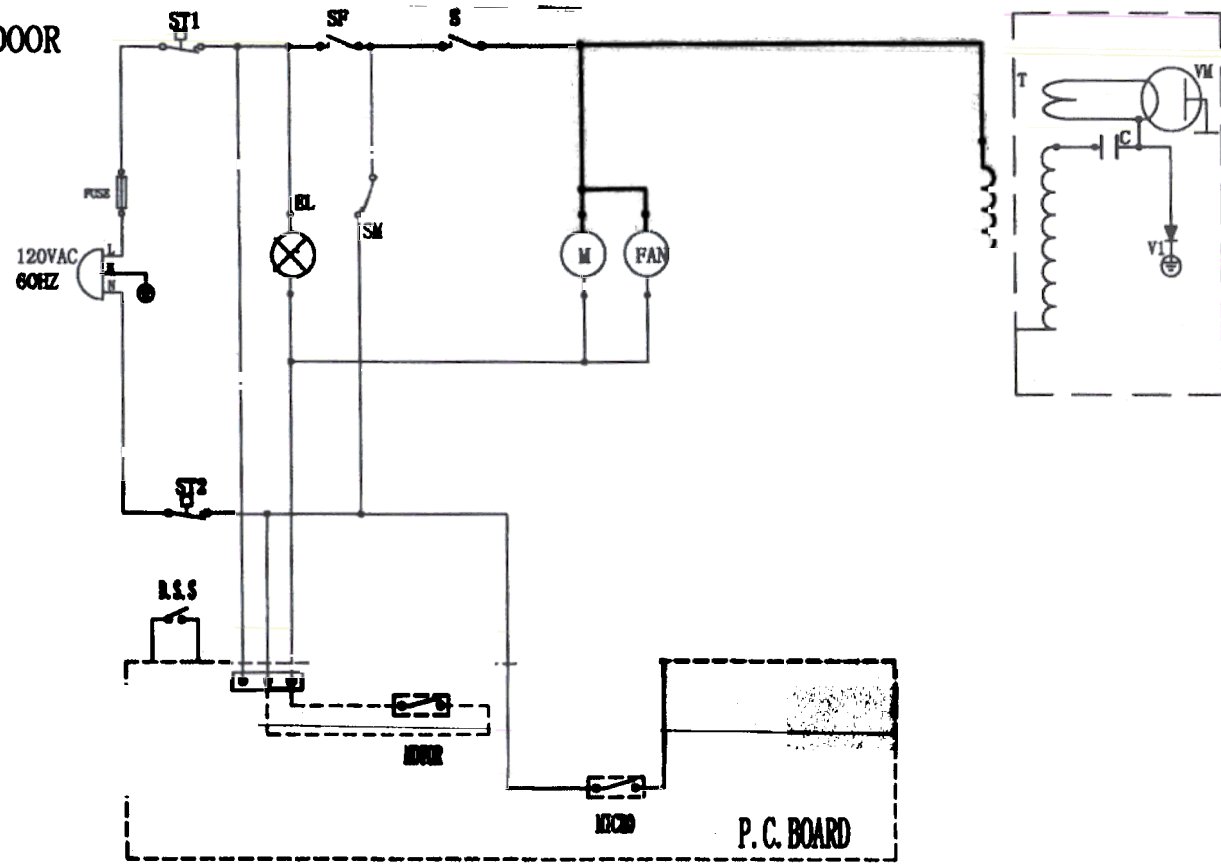


E8528X-Y SCHEMATIC DIAGRAM

NOTE: CIRCUIT SHOWN WITH DOOR
IN OPENED POSITION



- ST2: T. C. O (MAGNETRON)
- SF: Primary interlock switch
- ST1: Flame sensor T. C. O (CAVITY)
- SM: Monitor switch
- M: Turn table motor
- FAN: Fan motor
- T: H. V. Transformer
- C: H. V. Capacitor
- V1: H. V. Diode
- VM: Magnetron
- D. S. S.: Door sensing switch
- MICRO: Microwave relay
- GRILL: Grill switch
- EL: Oven lamp
- EH1, EH2: Quartz tube
- S: Door switch

(ST, ST2 : thermostat)

顺德市美的电器有限公司
Shunde Midea Microwave Oven Manufacturing Co., Ltd.

Handwritten signature