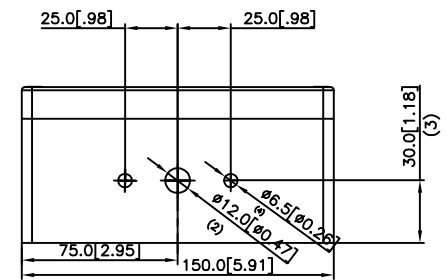
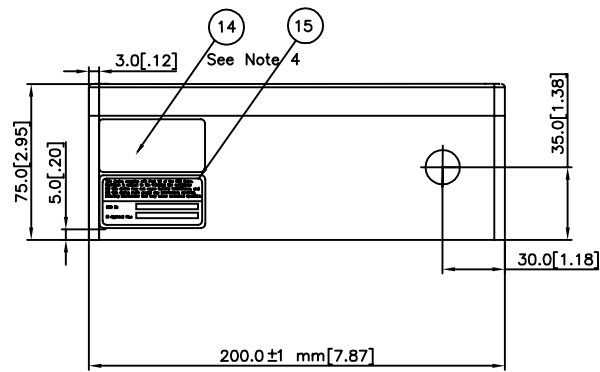
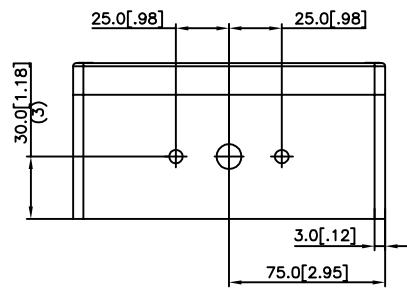
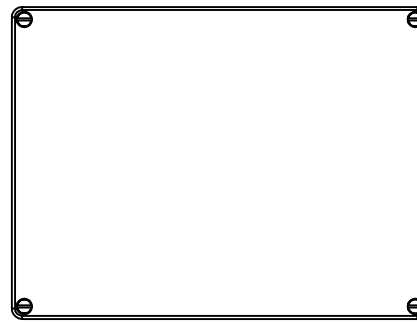
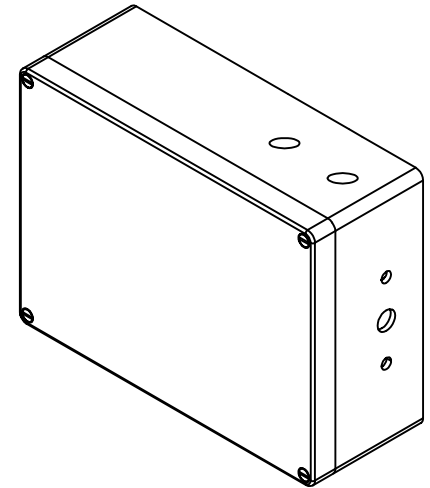
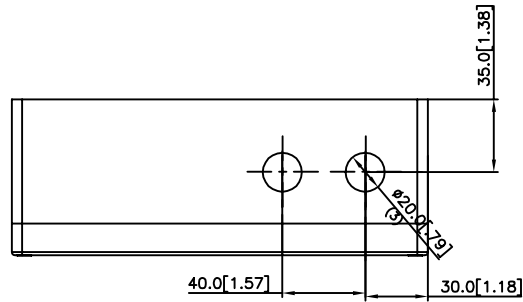
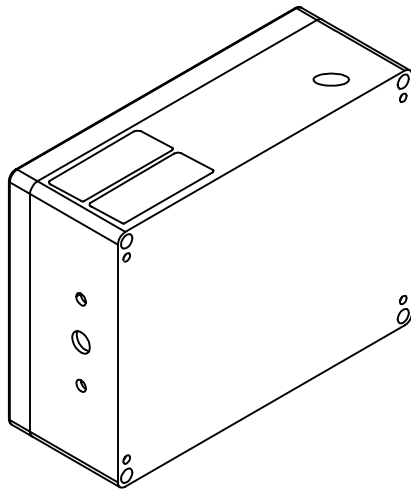


Notes (Unless otherwise specified):

1. Dimensions: mm[inch].
2. Tolerances: 0.1[0.004].
3. For printing use black color.
4. Print P/N "450003", vertical, on the right side of the label.
5. Use blank label 2-5/8"x1", P/N 450290; manuf. LABELON type BD-330.

					Lyngsoe Industries	NAME Label FCC EX21				
						DSG	MPAU	10Dec01	PART NO 450009	DWG NO 900067
REV	ECO NO	BY	CHK	DATE	CHK	MHUZ	10Dec01	SCALE 1:1	SIZE A	SHEET 1 OF 1
All rights strictly reserved. Reproduction or issue to third parties in any form whatever is not permitted without written permission from Lyngsoe Industries.					APRV	DFER	10Dec01			



REV	ECO NO	BY	CHK	DATE

Lyngsoe Industries			NAME PCB/Enclosure Assembly Exciter EX21		
DRG	MPAU	10Dec01	PART NO	DWG NO	REV
CHK	MHUZ	10Dec01	500010	900064	-
APRV	DFER	10Dec01	SCALE	SIZE	SHEET
All rights strictly reserved. Reproduction or issue to third parties in any form whatever is not permitted without written permission from Lyngsoe Industries.			1:2	B	2 OF 2