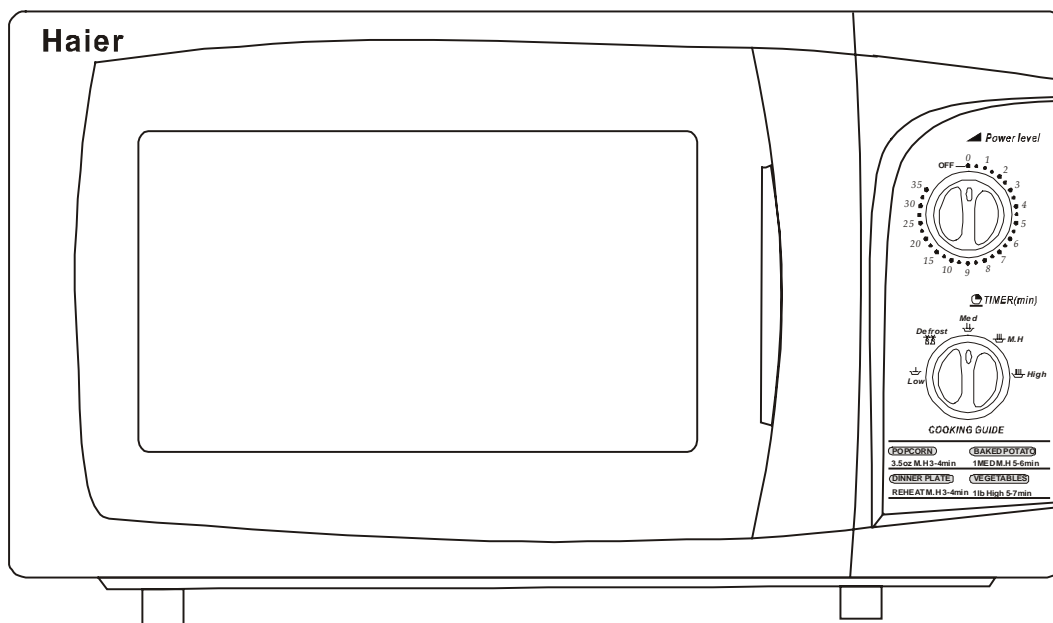


# Haier®

What The World Comes Home To™



## Microwave Oven User Manual

UA-0770M

# IMPORTANT SAFETY INSTRUCTIONS

*When using electrical appliances, basic safety precautions should be followed, including the following:*

**WARNING -To reduce the risk of burns, electric shock, fire, injury to persons or exposure to excessive microwave energy:**

1. **Read all instructions before using the appliance.**
2. Read and follow the specific "PRECAUTIONS TO AVOID POSSIBLE EXPOSURE TO EXCESSIVE MICROWAVE ENERGY" on page 3.
3. This appliance must be grounded. Connected only to properly grounded outlet. See "GROUNDING INSTRUCTIONS" on page 8.
4. Install this appliance only in accordance with the provided installation instructions.
5. Some products such as whole eggs and sealed containers, for example, closed glass jars may explode and should not be heated in this oven.
6. Use this appliance only for its intended use as described in this manual. Do not use corrosive chemicals or vapors in this appliance. This type of oven is specifically designed to heat, cook or dry food. It is not designed for industrial or laboratory use.
7. As with any appliance, close supervision is necessary when used by children.
8. Do not operate this appliance if it has a damaged cord or plug, if it is not working properly or if it has been damaged or dropped.
9. Only qualified service personnel should service this appliance. Contact the nearest authorized service center to repair or adjustment.
10. Do not cover or block any vents on this appliance.
11. Do not store or use this appliance outdoors. Do not use this product near water, for example, near a kitchen sink, in a wet basement, or near a swimming pool.
12. Do not immerse cord or plug in water.
13. Keep cord away from heated surfaces.
14. Do not let cord hang over edge of a table or counter.
15. When cleaning surface of the door and oven that come together when closed the door, use only mild, non-abrasive soaps, or detergents apply with a sponge or soft cloth.
16. To reduce the risk of fire in the oven cavity:
  - a. Do not overcook food. Carefully attend appliance if paper, plastic or other combustible materials are placed inside the oven to facilitate cooking.
  - b. Remove wire twist-ties from paper or plastic bags before placing bag in oven.
  - c. If materials inside the oven should ignite, keep oven door closed,

turn oven off, and disconnect the power cord or shut off power at the fuse or circuit breaker panel.

- d. Do not use the cavity for storage purposes. Do not leave paper products, cooking utensils or food in the cavity when not in use.
- 17. Do not use the microwave oven to heat corrosive chemicals (for example, sulfides and chlorides). Vapors from the corrosive chemicals may interact with the circuitry and affect the operation of oven.
- 18. Microwave heating of beverage can result in delayed eruptive boiling, therefore care has to be taken when handle the container.
- 19. Do not deep fry food in the microwave. It is difficult to control the fat which could cause a fire hazard.
- 20. Pierce foods with heavy skins such as potatoes, whole squash, apples and chestnuts before cooking.
- 21. The contents of feeding bottles and baby jars should be stirred or shaken and the temperature should be checked before serving in order to avoid burns.
- 22. Be certain the glass tray and roller ring are in place when you operate the oven.

**WARNING:** It is hazardous for anyone other than a trained person to carry out any service or repair operation which involves the removal of any cover which gives protection against exposure to microwave energy. If there is any damage, do not operate the oven and contact your dealer or Haier authorized service.

## SAVE THESE INSTRUCTIONS

Thank you for using our Haier product. This easy-to-use manual will guide you in getting the best use of your microwave oven

\_\_\_\_\_  
Model number

Remember to record the model and serial number. They are on a label in back of the microwave oven.

\_\_\_\_\_  
Serial number

\_\_\_\_\_  
Date of purchase

Staple your receipt to your manual.

**YOU WILL NEED IT TO OBTAIN WARRANTY SERVICE.**

## **PRECAUTIONS TO AVOID POSSIBLE EXPOSURE TO EXCESSIVE MICROWAVE ENERGY**

(a) Do not attempt to operate this oven with the door-open since open-door operation can result in harmful exposure to microwave energy. It is important not to defeat or tamper with the safety interlocks.

(b) Do not place any object between the oven front face and the door or allow soil or cleaner residue to accumulate on sealing surfaces.

(c) Do not operate the oven if it is damaged. It is particularly important that the oven door close properly and that there is no damage to the :

- 1 Door ( bent ),
- 2 Hinges and latches ( broken or loosened ),
- 3 Door seals and sealing surfaces.

(d) The oven should not be adjusted or repaired by anyone except properly qualified service personnel.

## **LIMITED WARRANTY**

### **What is covered and for how long?**

This warranty covers all defects in workmanship or materials for a period of:

**12 warranty parts**

**7 years Magnetron Tube(parts only)**

The warranty commences on the date the item was purchased and the original purchase receipt must be presented to authorized service center before warranty repairs are rendered.

### **What is covered?**

1. The mechanical and electrical parts, which serve as a functional, purpose of this appliance for a period of 12 months. This includes all parts except finish, and trim.
2. If the magnetron tube fails because of defective workmanship or material, the parts will be replaced. Labor and in home service costs are not covered.

### **What will be done?**

1. We will repair or replace, at our discretion any mechanical or electrical part which proves to be defective in normal usage during the warranty period so specified.
2. There will be no charge to the purchaser for parts on any covered items during the initial 12 month period.
3. Contact your nearest authorized service center. For the name of the nearest authorized service center please call 1-800-637-7567

# WARNINGS



## Arcing

Arcing is the microwave term that is defined as “Sparks in the oven”

Arcing is caused:

- a. If metal, such as twist-ties, poultry pins or gold-rimmed dishes.
- b. If recycled paper towels containing small metal pieces being used in the microwave.
- c. If foil paper is in the oven when the oven is use.

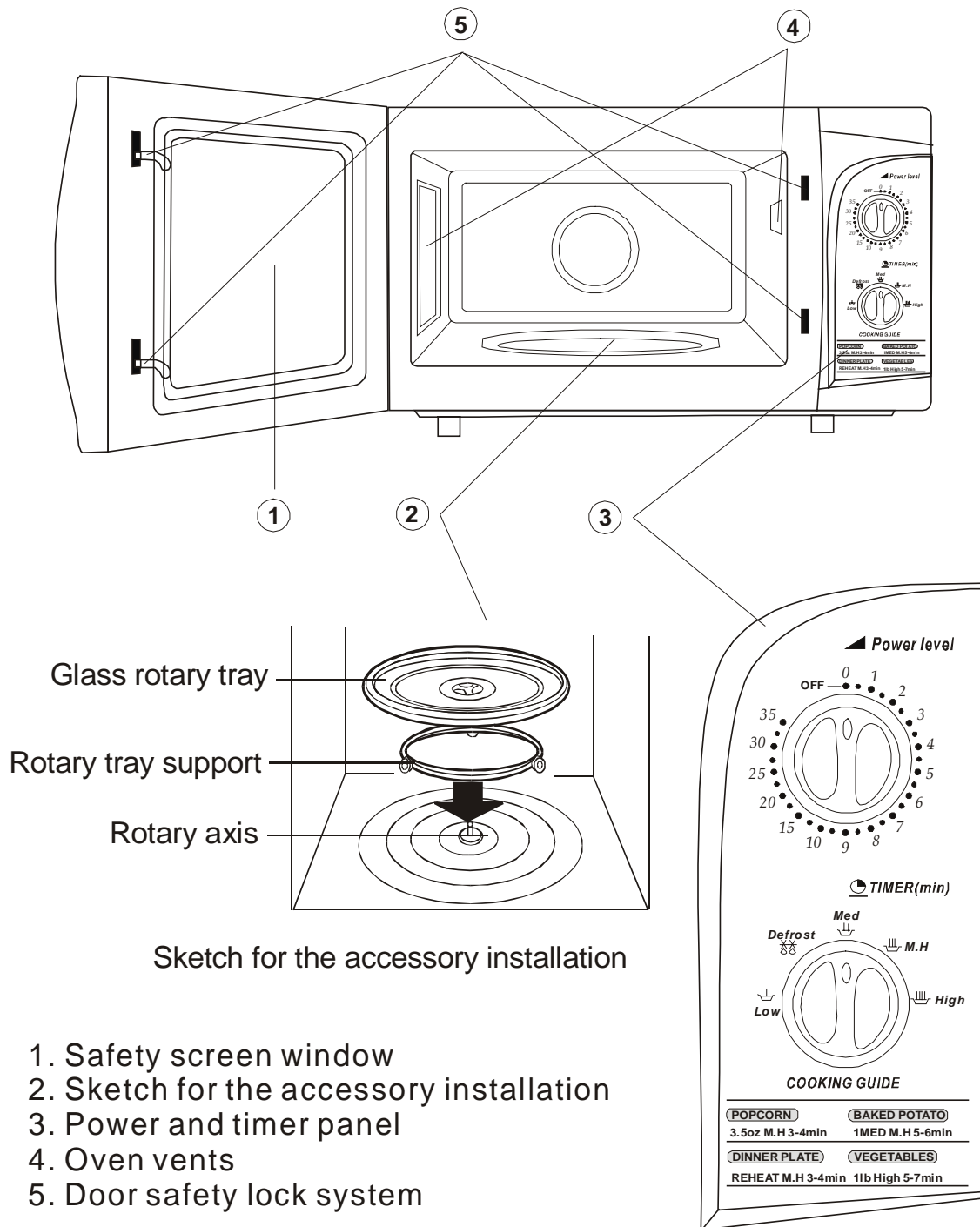
## Food

- > Cooking time given in the cooking guide is approximate. Factors that may effect are the starting temperature, altitude, volume, size and shape of food, and container used. As you become familiar with the oven, you will be able to adjust for these factors.
- > Do not boil eggs in their shells. Pressure may build up and explode.
- > Potatoes, apples, egg yolks and whole acorn squash are example of food with "NONPOROUS SKINS.", These must be pierced before cooking to prevent bursting.
- > popcorn must be popped in a microwave corn popper. Microwave popped the corn produces a lower yield than conventional popping. DO NOT use oven for popcorn unless popped in a microwave approved popcorn container or unless it is commercially packaged and recommended for microwave ovens. DO NOT use the oil unless specified by the manufacturer.
- > DO NOT attempt to deep fry in your oven.
- > DO NOT heat liquids in your microwave oven without the stirring.

# Table of Contents

<b>Important Safety Instructions</b> .....	1
<b>Limited Warranty</b> .....	3
<b>Features Of Microwave Oven</b> .....	6
<b>Installing Microwave Oven</b> .....	7
Unpacking Microwave Oven	
Placement of Microwave Oven	
Proper Air Circulation	
Electrical Requirement	
<b>Grounding Instructions</b> .....	8
<b>Operating Microwave Oven</b> .....	9
<b>Proper Microwave Oven Care and Cleaning</b> .....	10
<b>Food Facts In Microwave Cooking</b> .....	11
<b>Language Of Microwave Oven</b> .....	12
<b>Troubleshooting</b> .....	13
<b>specifications</b> .....	14

# Features of Microwave Oven



# Installing Microwave Oven

## Unpacking Microwave Oven

- 1) Unpack the oven, remove all packing material, and examine the oven any damage such as dents, broken door latches or crocks in the door. Notify the dealer immediately if the unit is damaged. Do not install the oven if the unit is damaged.
- 2) Inspect and remove any remains of packing, tape or printed materials before powering the microwave oven.

## Placement Microwave Oven

- > The oven must be placed on a flat, stable surface.
- > The oven may possibly cause reception interference on the radios and/or televisions.
- > In order to eliminate or minimize interference to radio and televisions from the microwave oven, the oven should be plugged into a separate electrical socket. In addition, the oven should be physically as far away from the radios or televisions as possible.

## Proper Air Circulation

- > For proper operation, the oven must have sufficient air-flow. The following is recommended clearances around the oven:
  - Sides ..... 2 " ( 50 mm )
  - Top ..... 1 " ( 25 mm )
  - Back ..... 1 " ( 25 mm )

## Electrical Requirement

- > Make sure there is suitable power outlet(120 Volt, 15 Amps Outlet) with proper grounding to power the microwave oven.
- > Avoid the use of three plug adapters or cutting off the third grounding prong in order to accommodate a two-plug outlet. This is a dangerous practice since it provides no effective grounding for the microwave and may result in shock hazard.
- > The electrical power cord must be kept dry and must be not pinched and crushed in any way.



# Grounding instructions

This appliance **must** be grounded. This oven is equipped with a cord having a **grounding wire** with a grounding plug. It must be plugged into a wall receptacle that is properly installed and grounded in accordance with **the National Electrical Code** and local codes and ordinances. In the event of an electrical short circuit, grounding reduces risk of electric shock by providing an escape wire for the electric current.

**WARNING** Improper use of the grounding plug can result in a risk of electric shock.

## Electrical Requirements

The electrical requirements are a 120 volt 60 Hz, AC only, 15 amp, or more protected electrical supply. It is recommended that a separate circuit serving only this appliance be provided. The oven is equipped with a 3-prong grounding plug. It must be plugged into a wall receptacle that is properly installed and grounded. Should you only have a 2-prong outlet, have a qualified electrician install a correct wall receptacle. A 3-prong adapter may be purchased and used temporarily if local code allow.

Follow package directions.

A short power-supply cord is provided to reduce risk of becoming entangled in or tripping over a longer cord.

## Extension Cord

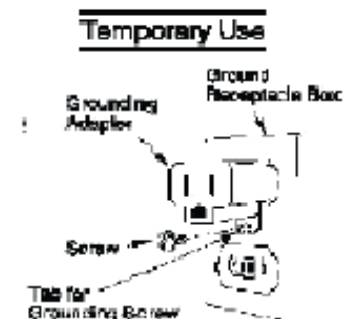
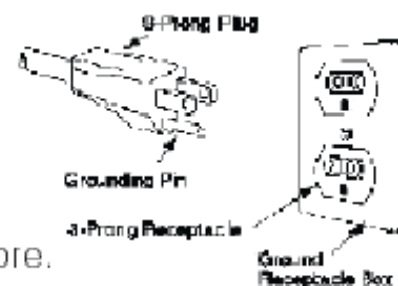
If it is necessary to use an extension cord, use only a 3-wire extension cord that has a 3-blade grounding plug and a 3-slot receptacle that will accept the plug on the microwave oven. The marked rating of the extension cord should be AC 115-120 volt, 15 amp, or more. Be careful not to drape the cord over the countertop or table where it can be pulled on by children or tripped over accidentally.

## Radio or TV Interference

Should there be any interference caused by the microwave oven to your radio or TV, check that the microwave oven is on a different circuit, relocates the radio or TV as far away from the oven as feasible or check position and signal of receiving antenna.

**WARNING:** This product complies with Part 18 FCC rules. This product may cause interference with radios, cordless telephone, or devices that use a wireless remote control. If interference occurs, move the product away from the device or plug either into a different outlet, or move the product out of the sight with the remote control receiver.

The user that changes or modifications not expressly approval has been the part responsible for compliance could void the user's authority to operate the equipment.



## Checking Microwave Oven

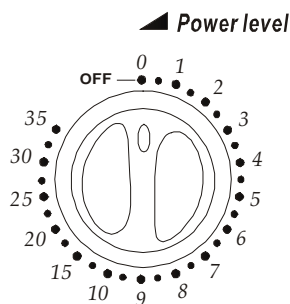
- 1) Place glass tray and turntable trim inside the cavity.
- 2) Place an 8 OZ cup of water on the glass tray.
- 3) Close the door.
- 4) Set cooking power to "High" position.
- 5) Set timer at 3-4 minutes and close the door.
- 6) When the cooking is finished, the buzzer sounds and the oven shut off.
- 7) If the oven works normally, the water should be very hot.

**Note:** If lower cooking power is selected, it will take longer to heat the water so hot.

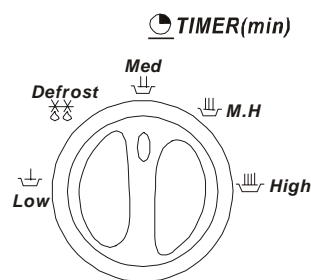
## Operating Your Microwave Oven

1. After placing food in the oven, select the desired cooking power level.
2. Set the timer to desired setting, this will turn on the microwave oven.
3. Once cooking is finished, the buzzer will sound and the inside lamp will go off.

**Note:** If the door is opened while cooking, the microwave oven will stop. To reset, simply close the door.



Power Knob



Time Knob

COOKING GUIDE	
<b>POPCORN</b>	<b>BAKED POTATO</b>
3.5oz M.H 3-4min	1MED M.H 5-6min
<b>DINNER PLATE</b>	<b>VEGETABLES</b>
REHEAT M.H 3-4min	1lb High 5-7min

Cooking Guide

## Defrosting The Food

The defrost setting on your microwave oven enables easy and convenient thawing of frozen foods. The microwave energy heats the outer surface of food and this heat is moved slowly to the center. This thaws the food evenly throughout. In addition to defrosting, this setting can also be used for slower and gentler cooking.

**Note:** Close the door and the oven light will come on as it works. The oven light and microwave will turn off at the end of the set time or when the door is opened.

# Proper Microwave Oven Care and Cleaning

## Cleaning and Maintenance

**Warning:** To avoid electric shock always unplug your microwave oven before cleaning. Ignoring this warning may result in death or injury.

**Caution:** Before using cleaning products, always read and follow manufacturer's instructions and warnings to avoid personal injury or product damage.

**General:**

- Prepare a cleaning solution of 3-4 tablespoons of baking soda mixed with warm water. Use sponge or soft cloth, dampened with the cleaning solution, to wipe down your microwave oven.
- Rinse with clean warm water and dry with a soft cloth.
- Do not use harsh chemicals, abrasives, ammonia, chlorine bleach, concentrated detergents, solvents or metal scouring pads. SOME of these chemicals may dissolve, damage and/or discolor your microwave oven.
- Keep the inside of the oven clean. When food spatters or liquid spills, wipe with a damp cloth.
- To prevent damage to the operating parts inside the oven, care should be taken so water does not sweep into the ventilation openings.
- Care should be taken in cleaning the touch control panel. If the control panel becomes soiled, open the oven door before cleaning. Wipe the panel with a cloth dampened slightly with water only. Dry with a soft cloth. Do not scrub or use any sort of chemical cleaners. Close door and touch **CLEAR/STOP**.
- If steam accumulates inside or around the outside the oven door, wipe with a soft cloth. This may occur when the microwave oven is operated under high humidity conditions and in no way indicates a malfunction of the unit.
- The turntable and oven cavity floor should be cleaned regularly. Simply wipe the bottom surface of the oven and dry. The turntable may be washed in mild sudsy water or in the dishwasher.

# Food Facts in Microwave Cooking

**The quality of the food:** Poor quality ingredients are rarely improved by any method of cooking and this applies particularly to microwave cooking, as the process is so fast.

**Temperature:** The colder food before cooking, the longer it will take to cook.

**Quantity:** The cooking time relates to the amount of food in the microwave oven. Do not overload the microwave. For very large quantities, it is better, and may be quicker, to cook in two or more batches.

**Density:** The more porous the food, the faster it will cook. A light airy cake mixture will cook faster than jacket potatoes.

**Size and shape:** Uniform shapes cook more evenly. In an irregular shape, such as a leg of lamb, the thinner parts will cook faster than the thick part. The smaller the individual piece of food is (such as the vegetables in a soup) the quicker the cooking.

**Moisture:** There is very little evaporation in microwave cooking so foods can be cooked in the minimum water. Casseroles need about half the usual amount of stock; vegetables need only two or three tablespoons of water.

**Bones:** Meat and poultry bones conduct heat, therefore the areas around them will cook faster than the rest of the meat. Insert a microwave meat thermometer into the thickest part of the flesh away from any bone for an accurate grading.

# Language of Microwave cooking

**Timings:** As a rough guide most foods will require approximately a quarter to one third conventional cooking time. If unsure, always underestimate the time needed, check the result and continue cooking if needed. When doubling a recipe, increase the cooking time by half and check the result.

**Covering:** Cover foods for the same reasons as in conventional cooking. This retains moisture, speeds up cooking and helps to tender the foods such as vegetables, casseroles and fish. Use a vented lid for foods with a high liquid boiling over. Roasting bags may be used to prevent splattering on the oven walls.

**Standing time:** Due to the heat penetration it is important to let cooked food wait a few minutes before serving.

**Stirring:** Food nearest the sides of the dish, cook faster than that at the center. Stirring will speed up its cooking time and ensure even cooking. Particularly sensitive foods, such as scrambled eggs and sauces, need frequent stirring during cooking.

**Arranging & Rearranging:** The food at the outer edges of the turntable or dish generally receives more microwave energy than that at the center, so place thicker or large portions of the food to the outer edge. Rearranging, like stirring, moves the food and encourages even cooking.

# Troubleshooting

## Questions and Answers:

- Q. Accidentally running of microwave oven without any food in it. Is it damaged?
- A. We do not recommend operating the microwave oven without any food, however, running the oven empty for a short time will not damage the oven.
- Q. What if oven does not turn on?
- A. Check the following:
- 1) Is the oven plugged in securely?  
Remove plug from the outlet, wait 10 seconds and reinsert.
  - 2) Check circuit breaker or fuse. Reset circuit breaker or replace fuse if it is tripped or blown.
- Q. Can the oven be used with the glass tray removed?
- A. No. The glass tray must be positioned correctly in the oven before cooking.
- Q. Why does warm air come from the oven vents and steam accumulates on the oven door?
- A. This is due to heat being given off from food cooking in the oven cavity. The warm air is carried out of the oven by the airflow pattern in the oven. There are no microwaves in the air. The oven vents should never be blocked during cooking. During cooking time, steam is given off from the food. Most of the steam is removed from the oven by the air; which circulates in the oven cavity. However, some steam will condense on cooler surfaces such as the oven door. This is normal.
- Q. My microwave causes interference on my TV. Is this Normal?
- A. Some Radio and TV interference might occur when you cook with the microwave oven. This interference is similar to the interference caused by small appliances such as mixers, vacuums, blow dryers, etc. It does not indicate a problem with your oven.
- Q. Can TV dinner trays be placed in the oven?
- A. Only TV dinners labeled microwave safe are recommended for this oven. Make sure foil covers are removed from top of container.

# Specifications

POWER SUPPLY		120V AC 60 Hz SINGLE PHASE WITH GROUNDING
MICROWAVE	POWER CONSUMPTION	1150 W
	OUTPUT POWER	700 W
	FREQUENCY	2450 MHz
OUTER DIMENSION H/W/D(inch)		11.4 X 19.1 X15.4 in. (290 X 485 X 391 mm)
INTERIOR DIMENSION		7.7X 12.2X 12.3 in. (196 x 311 x 312 mm)
NET WEIGHT		APPROX. 13.5Kg (29.8 lbs.)
TIMER		35 min.
POWER LEVELS		5 LEVELS

# IMPORTANT

Do Not Return This Product To The Store

If you have a problem with this product, please contact the "Haier Customer Satisfaction Center" at

1-877-337-3639.

DATED PROOF OF PURCHASE REQUIRED FOR WARRANTY SERVICE

# Haier<sup>®</sup>

Haier America  
New York, NY 10018

UA0770MW-1  
Issued:04-Sep-23