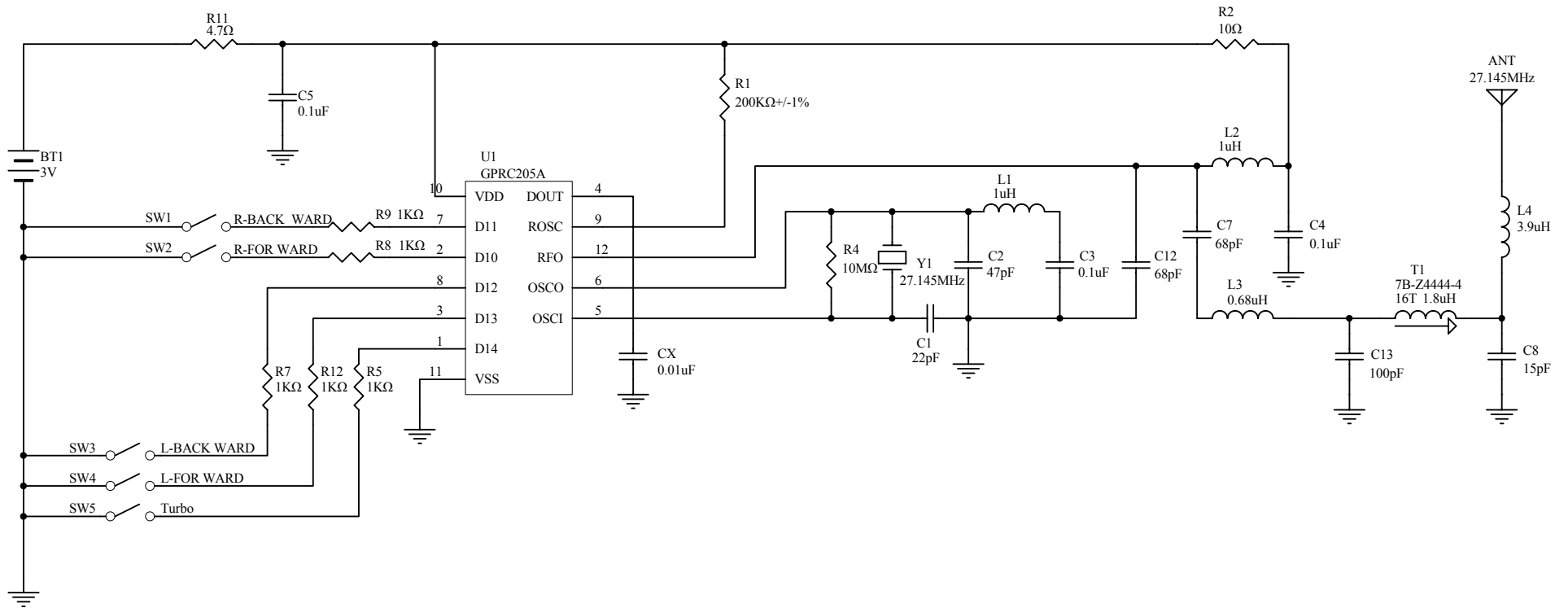


TRANSMITTER SCHEMATIC DIAGRAM



METTLE

Title			
Swamp Raider			
Size	Number	Revision	
A4	N1927 US 27MHZ-TX	02	
Date:	15-Jan-2008	Sheet of	
File:	\\Hbpc36\111\SCH\M0677 TX 27M.DDB	Drawn By:	