



Mattel Asia Pacific Sourcing Limited
美泰玩具亞太有限公司

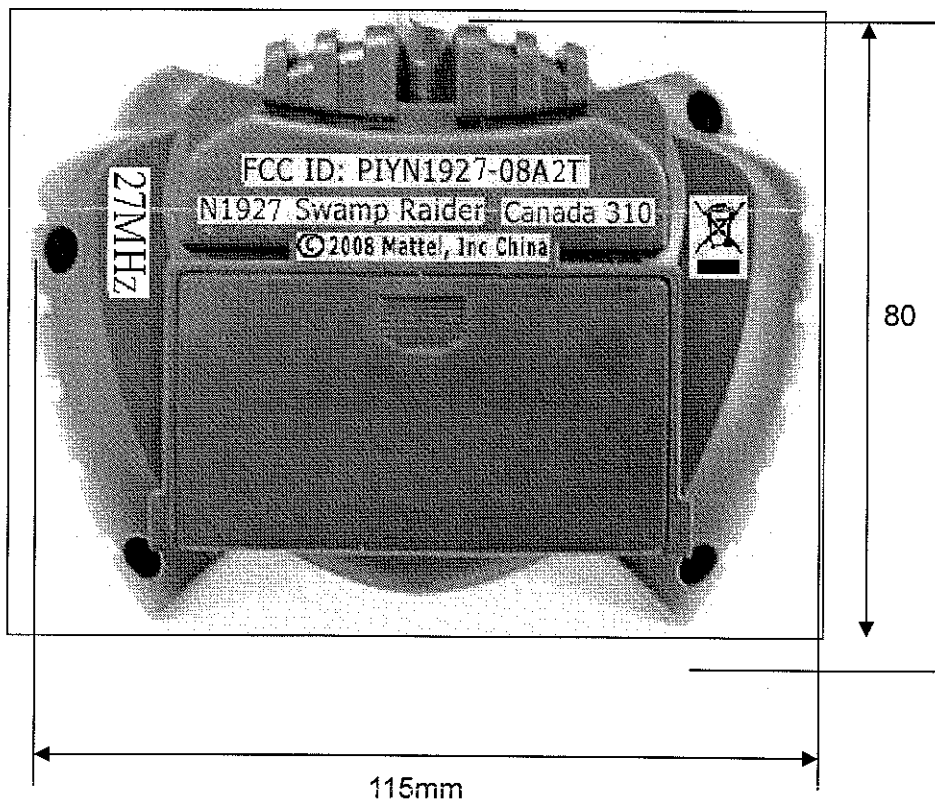
2008-May-16

Equipment Authorization Division
Office of Engineering and Technology
Federal Communications Commission
7435 Oakland Mills Road
Columbia, MD 21046

Dear Sirs:

Mattel Asia Pacific Sourcing Limited requests acceptance of the labeling proposal described below for Swamp Raider bearing FCC identifier PIYN1927-08A2T.

The subject Swamp Raider models as shown in figure 1, authorized under FCC Part 15 Class C





Mattel Asia Pacific Sourcing Limited
美泰玩具亞太有限公司

It is because the surface of the device does not enough to indicate the FCC statement. For this reason, Mattel Asia Pacific Sourcing Limited proposes those statements is showing on the user manual and the device is carrying the FCC ID number only. The figure2 is showing the FCC ID location.

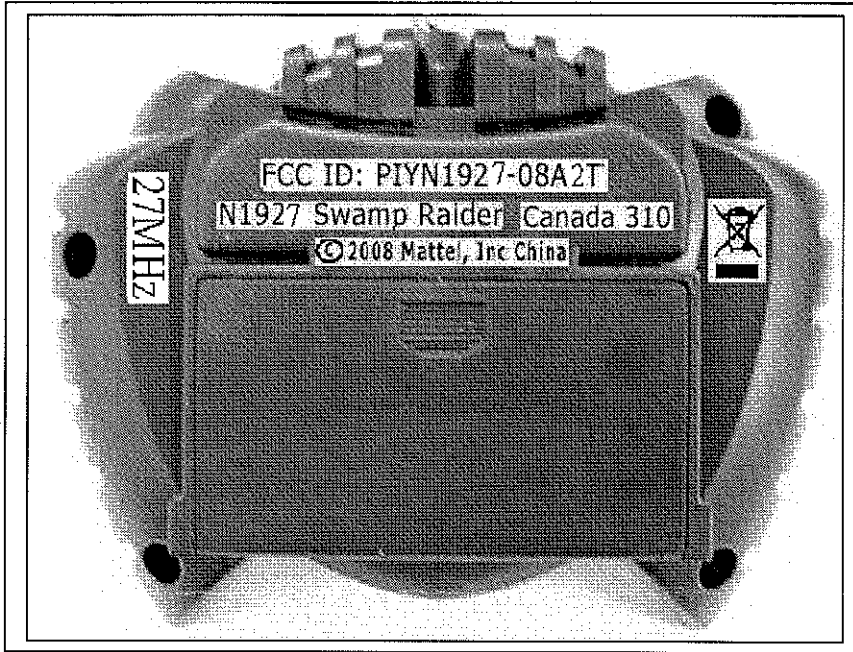


figure 2

Sincerely,

Mattel Asia Pacific Sourcing Ltd

YC Wong
Sr Manager – Electronic Engineering