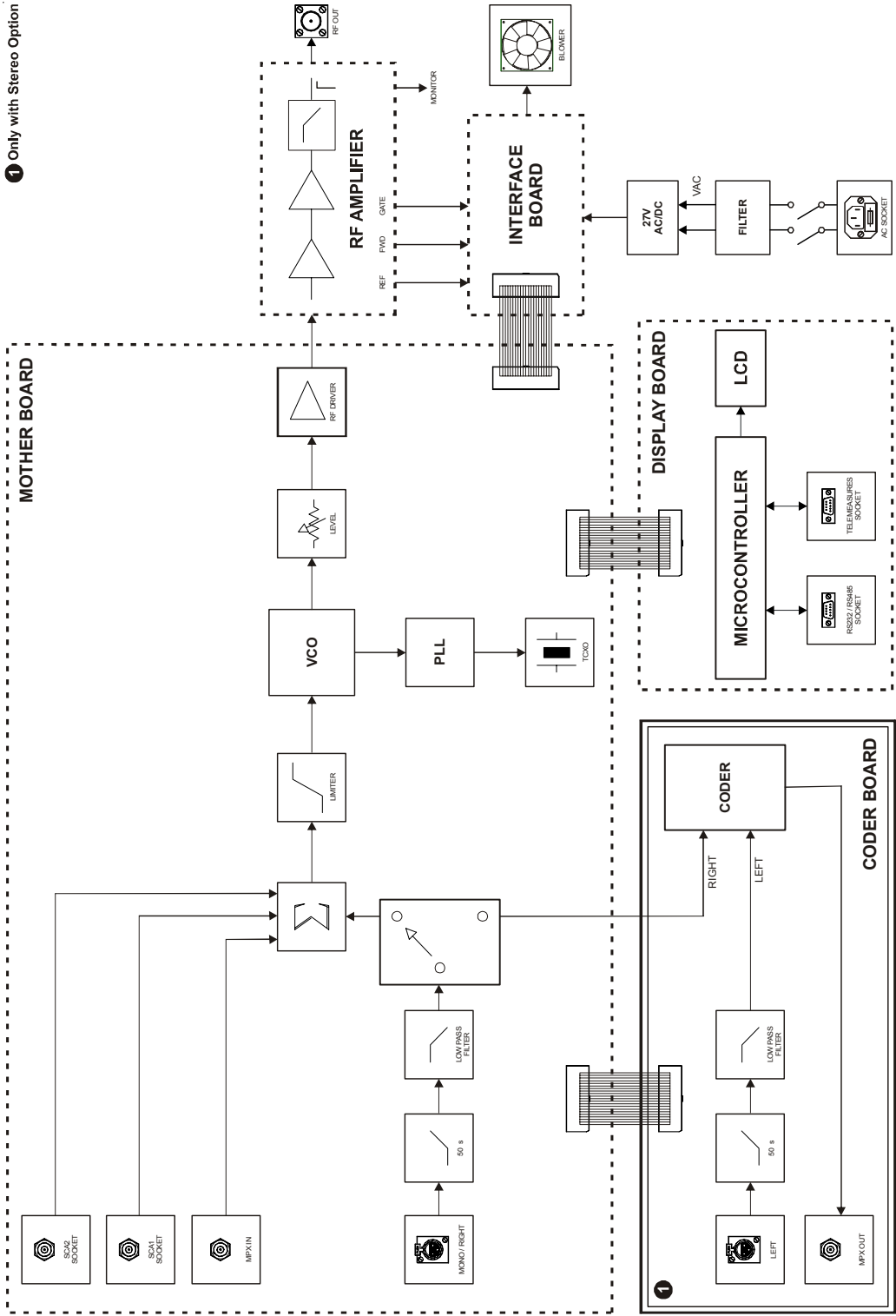
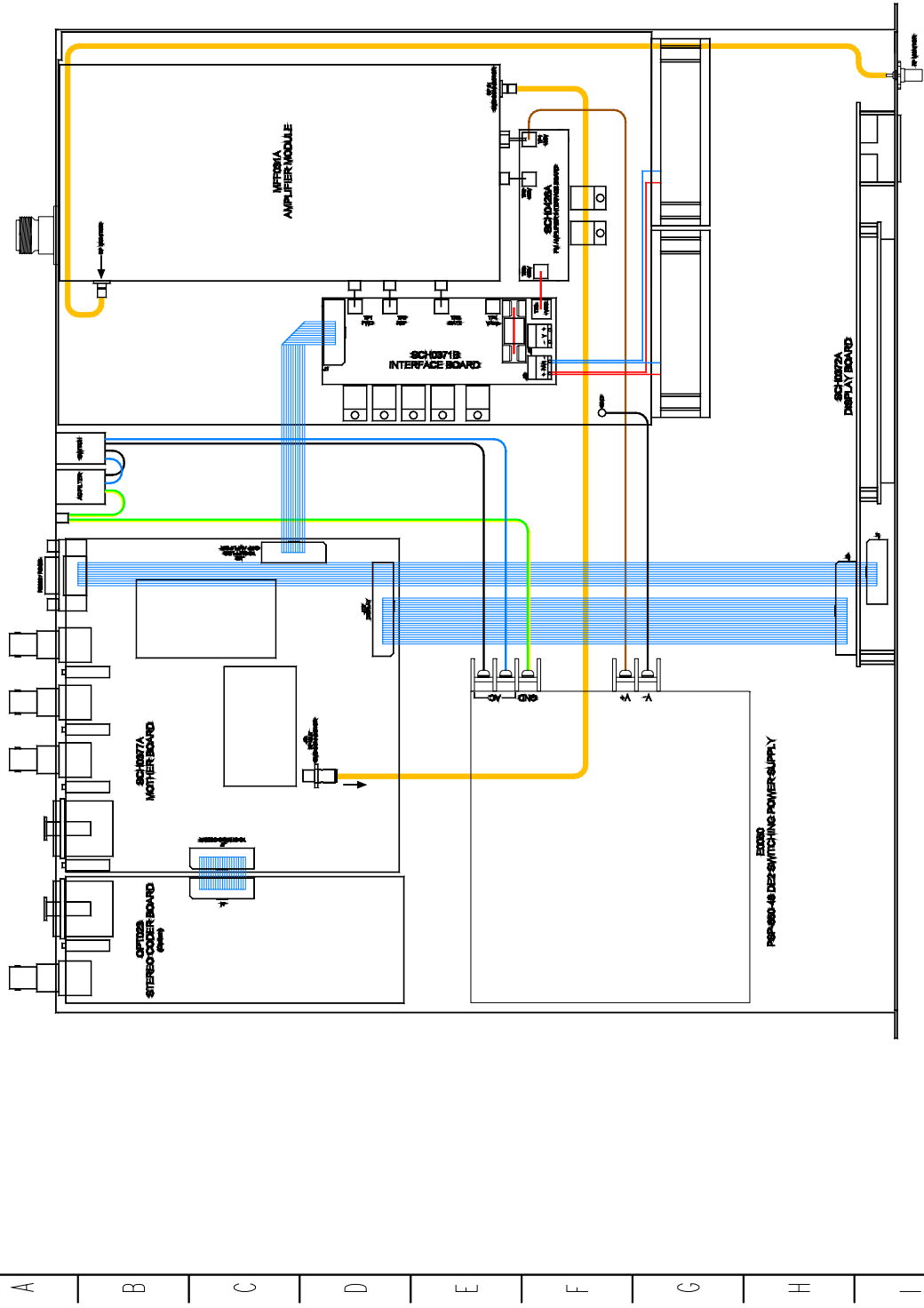


Block diagram

① Only with Stereo Option

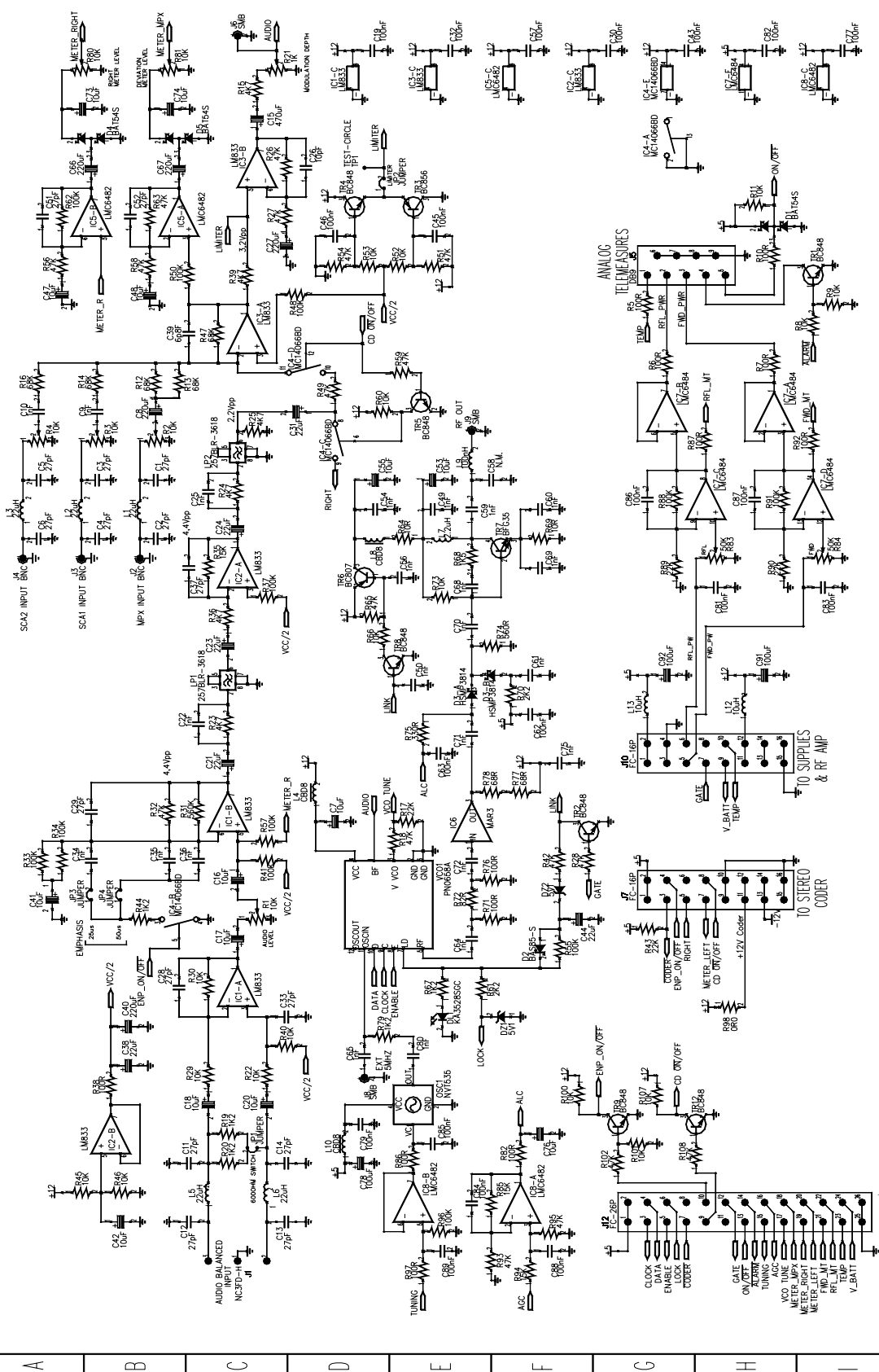


0 1 2 3 4 5 6 7 8 9



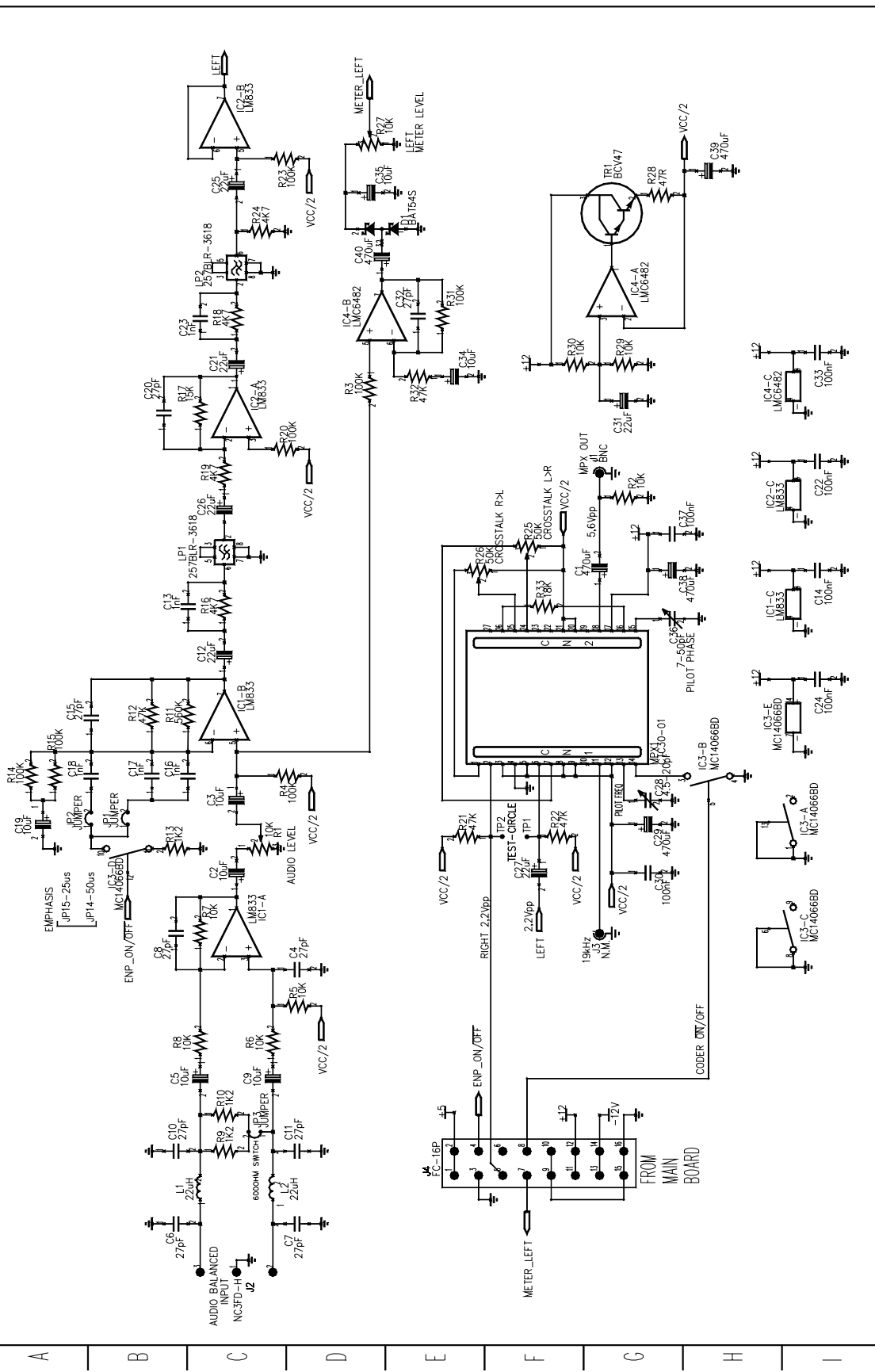
	CABLE DIAGRAM		DESIGNER	LATTANZIO	SIGNATURE	DATE	26/02/07
	ASSEMBLY CODE	APF074A	PCB DESIGNER	LATTANZIO	SIGNATURE	PCB REF	APF074A
TITLE	MIZAR300 FM TRANSMITTER SYSTEM					SHEET	1/1

0 1 2 3 4 5 6 7 8 9



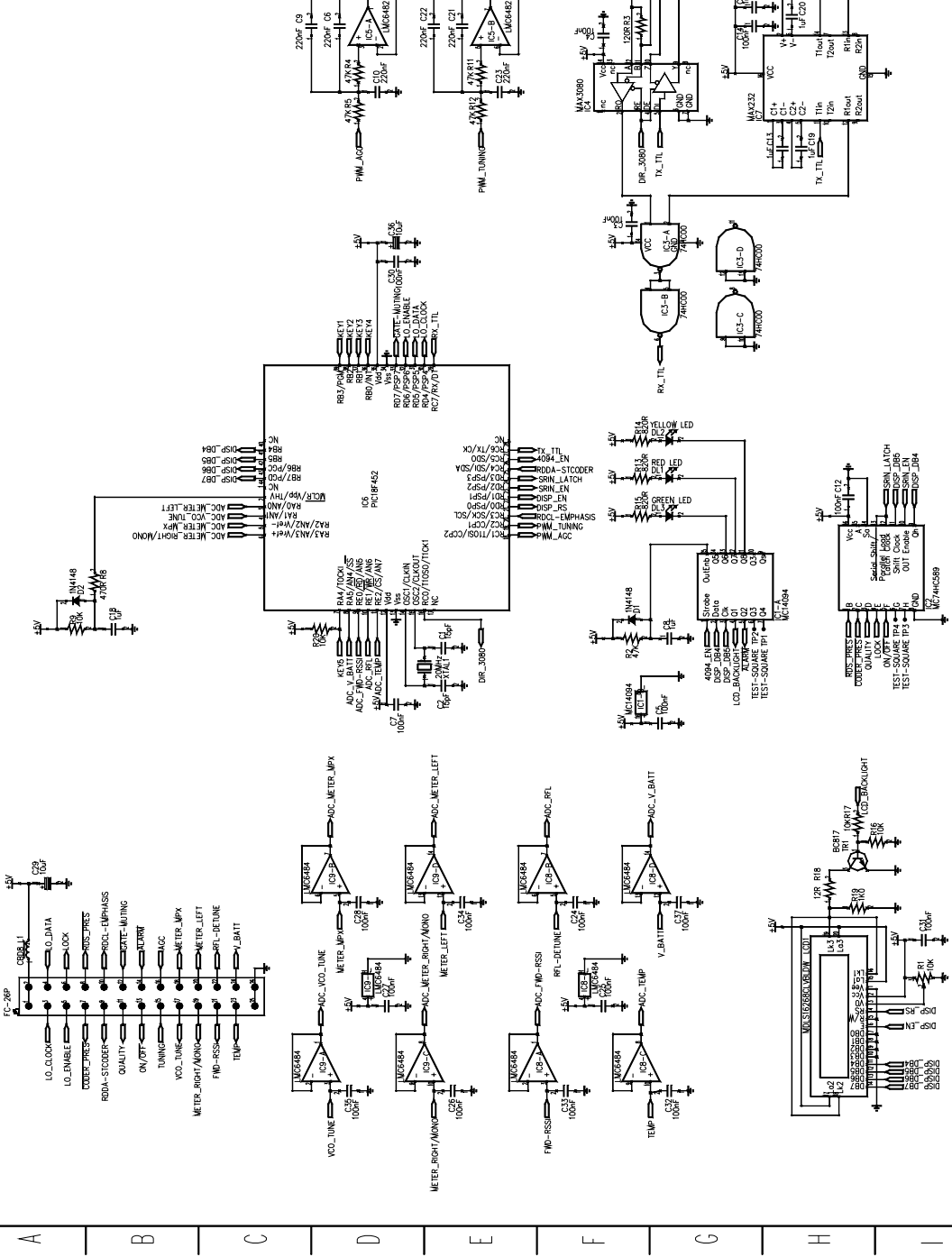
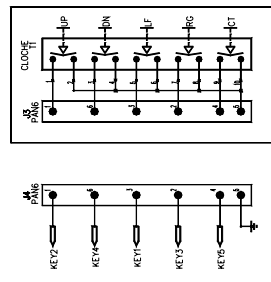
ELECTRIC DIAGRAM		DESIGNER	DI MODUGNO	SIGNATURE	DATE	29/06/06
		MOTHER BOARD		PCB DESIGNER	TULLO	PCB REF
ASSEMBLY CODE		TITLE		SHEET		1/1
SCH0377A						

0 1 2 3 4 5 6 7 8 9



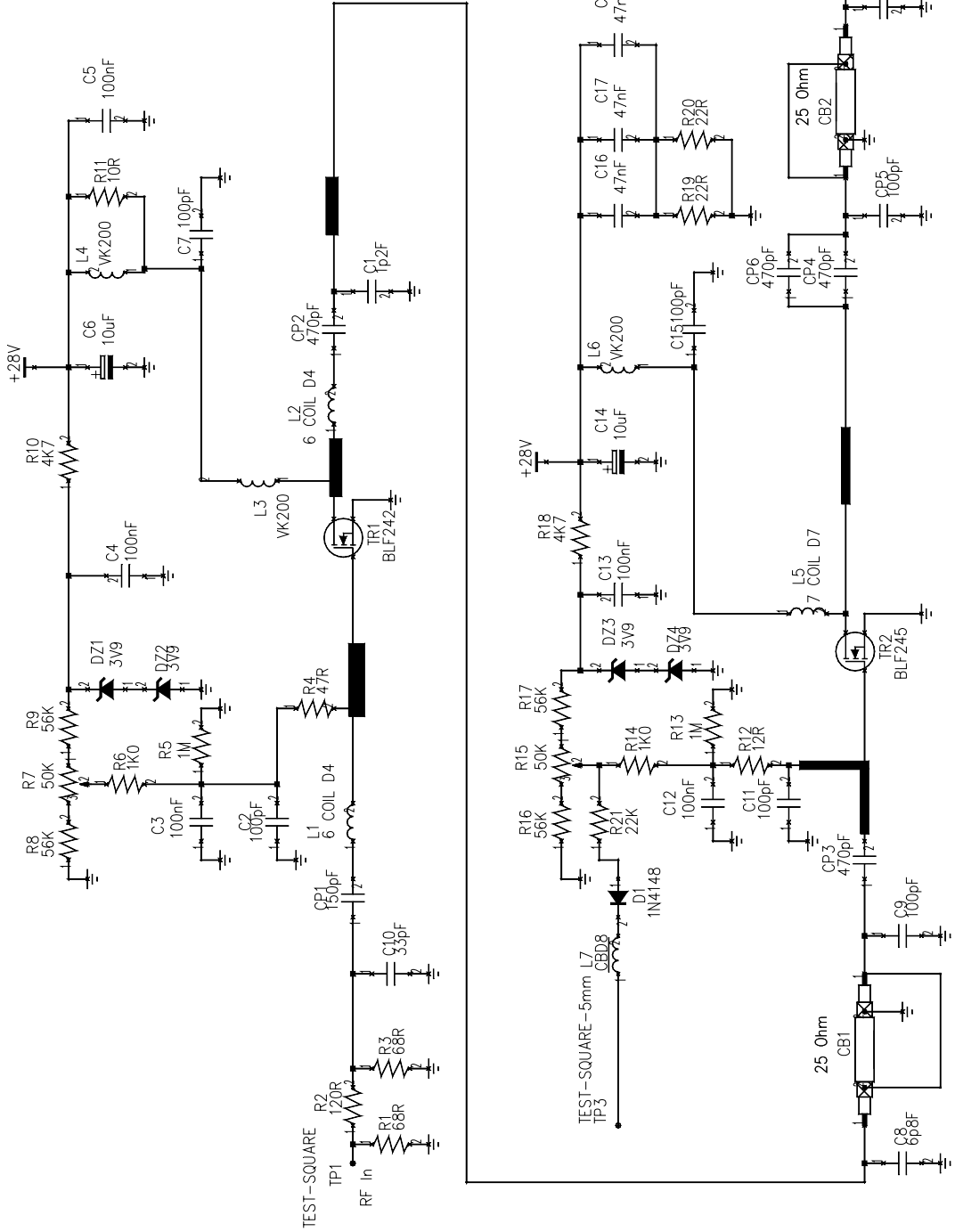
		ELECTRIC DIAGRAM		DESIGNER	SIGNATURE	DATE
				DI MODUGNO		20/06/06
ASSEMBLY CODE		TITLE		PCB DESIGNER	SIGNATURE	PCB REF
SCH0378A		STEREO CODER BOARD		TULLO		PN126263
						SHEET
						1/1

0 1 2 3 4 5 6 7 8 9



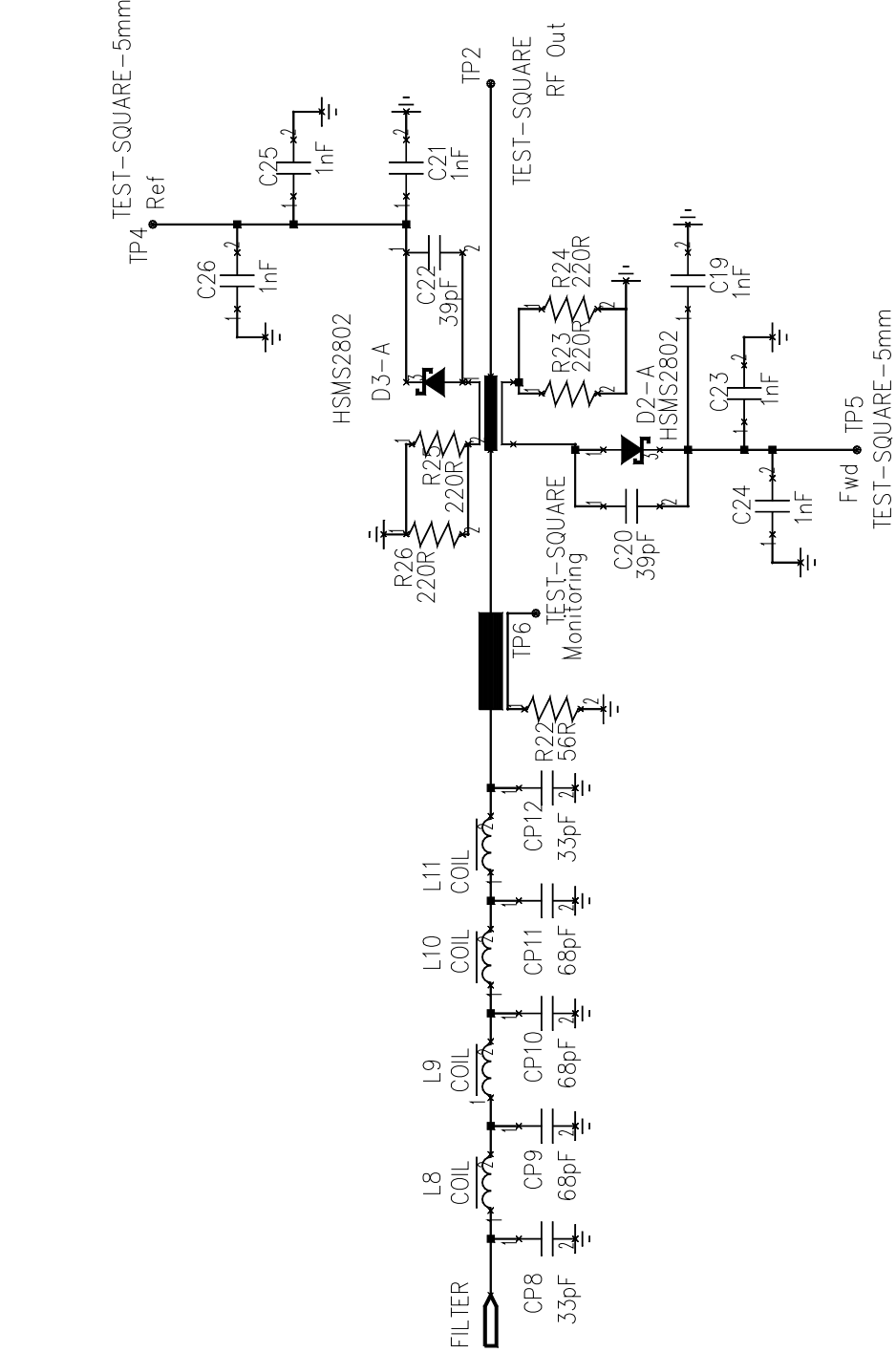
ELECTRONIKA S.r.l.	ASSEMBLY CODE	TITLE		DESIGNER	SIGNATURE	DATE
	SCH0372A	DISPLAY BOARD				
ELECTRIC DIAGRAM			DESIGNER	DE ROBERTIS	SIGNATURE	27/01/06
ASSEMBLY CODE			PCB DESIGNER	TULLO	SIGNATURE	PW1255AR2
TITLE			DISPLAY BOARD		SHEET	1/1

0 1 2 3 4 5 6 7 8 9

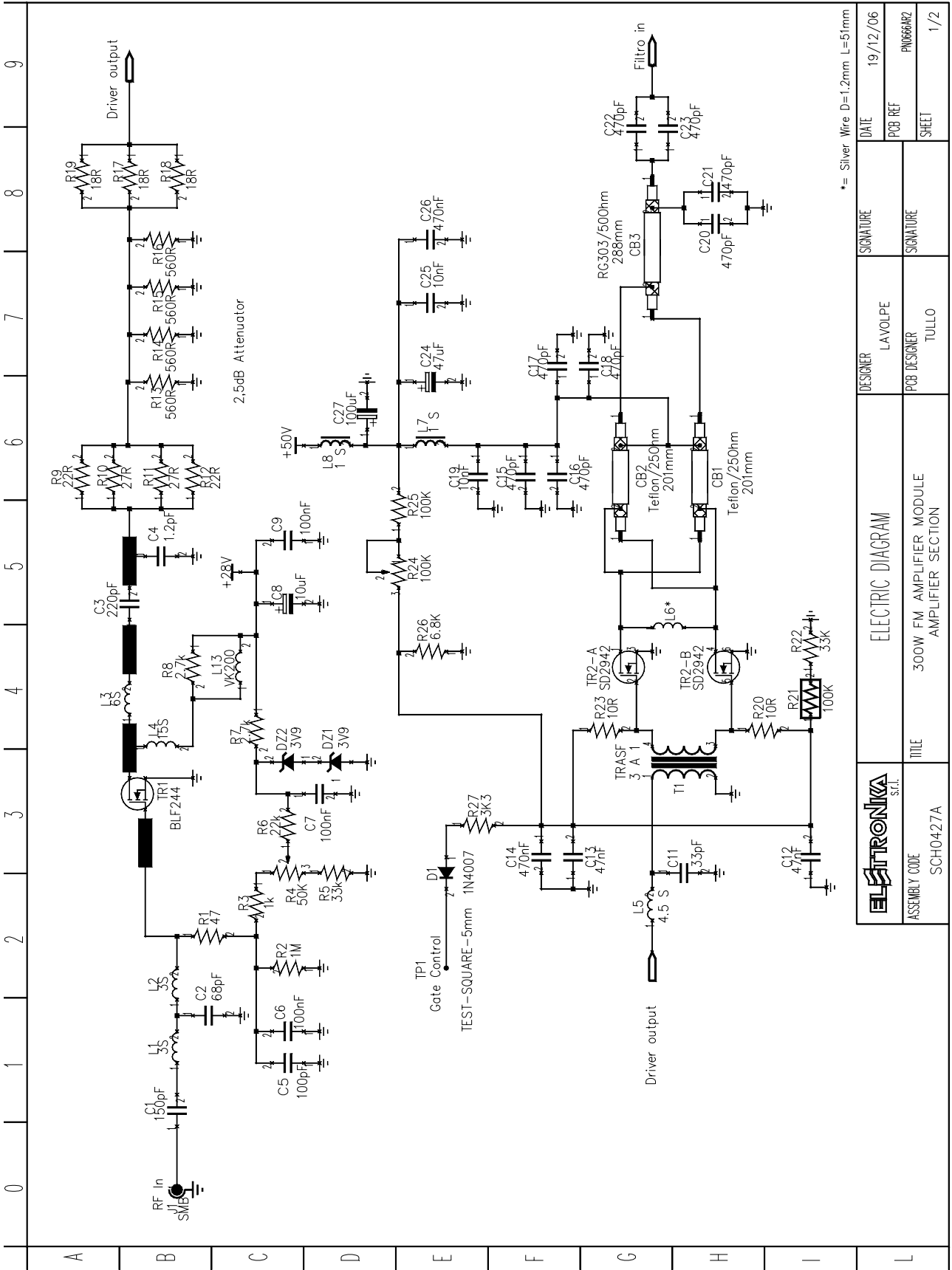


ELSATRONIKA s.r.l.	ELECTRIC DIAGRAM	DESIGNER	LAVOLPE	SIGNATURE	DATE	17/06/06
		ASSEMBLY CODE	SCH00382A	PCB DESIGNER	TULLO	PENNINO
TITLE			30W FM AMPLIFIER MODULE		SHEET	1/2

0 1 2 3 4 5 6 7 8 9

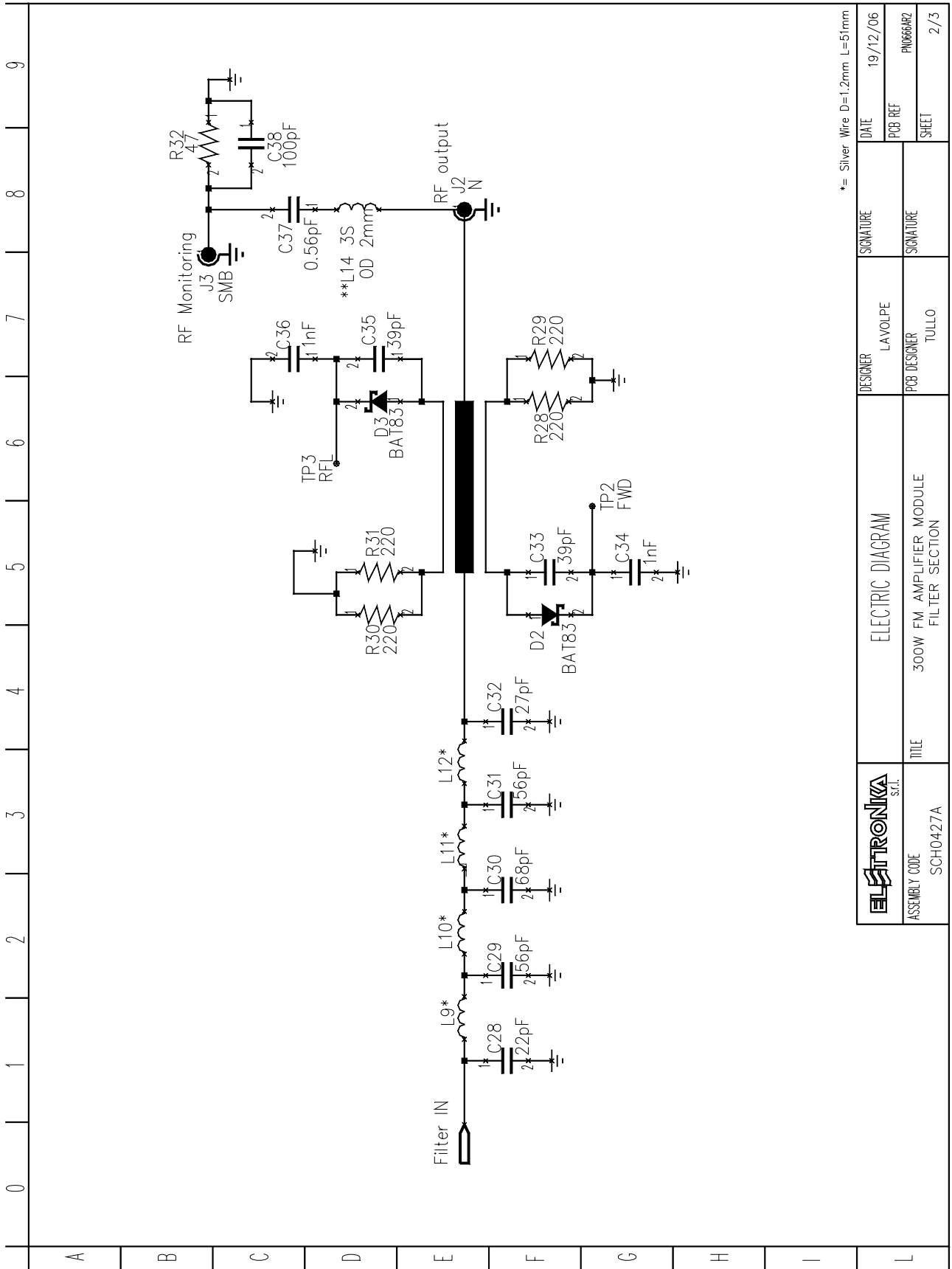


ELSTRONIKA s.r.l.	ELECTRIC DIAGRAM		DESIGNER	LAVOLPE	SIGNATURE	DATE	17/06/06
	ASSEMBLY CODE	SCH00382A	TITLE	30W FM AMPLIFIER MODULE	SIGNATURE	PCB REF	PN1281AR2
						SHEET	2/2




* = Silver Wire D=1.2mm L=51mm

ELSTRONIKA s.r.l.		ELECTRIC DIAGRAM		DESIGNER LAVOLUPE		SIGNATURE		DATE 19/12/06	
ASSEMBLY CODE SCH0427A		TITLE 300W FM AMPLIFIER MODULE AMPLIFIER SECTION		PCB DESIGNER TULLO		SIGNATURE		PCB REF PN066ARZ	
								SHEET 1/2	



* = Silver Wire D=1.2mm L=51mm

	ELECTRIC DIAGRAM		DESIGNER	LAVOLPE	SIGNATURE	DATE	19/12/06	
	ASSEMBLY CODE	SCH0427A	TITLE	300W FM AMPLIFIER MODULE FILTER SECTION	PCB DESIGNER	TULLO	PCB REF	PN066AR2
					SIGNATURE		SHEET	2/3

0 1 2 3 4 5 6 7 8 9

A

B

C

D

E

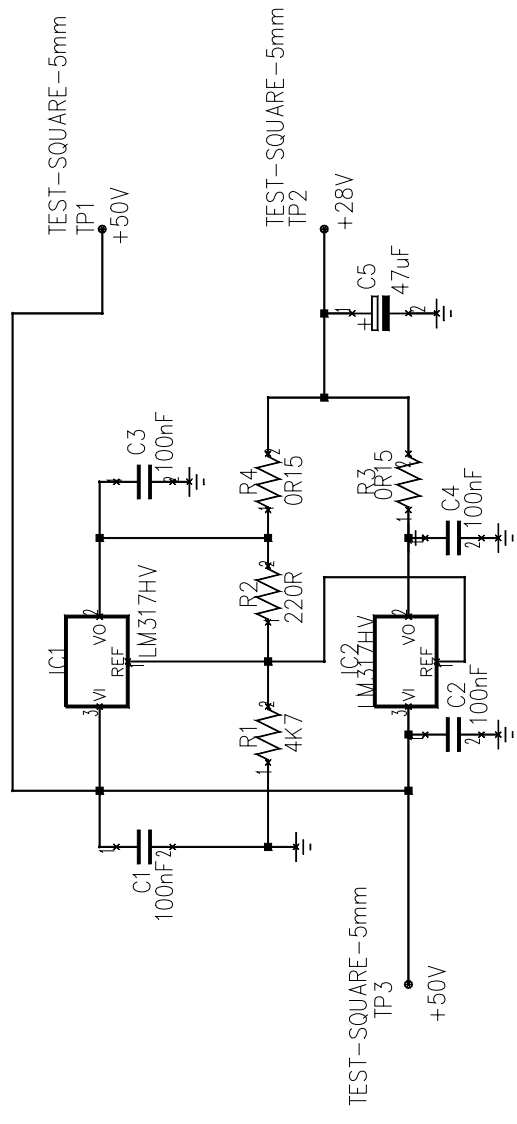
F


G

H

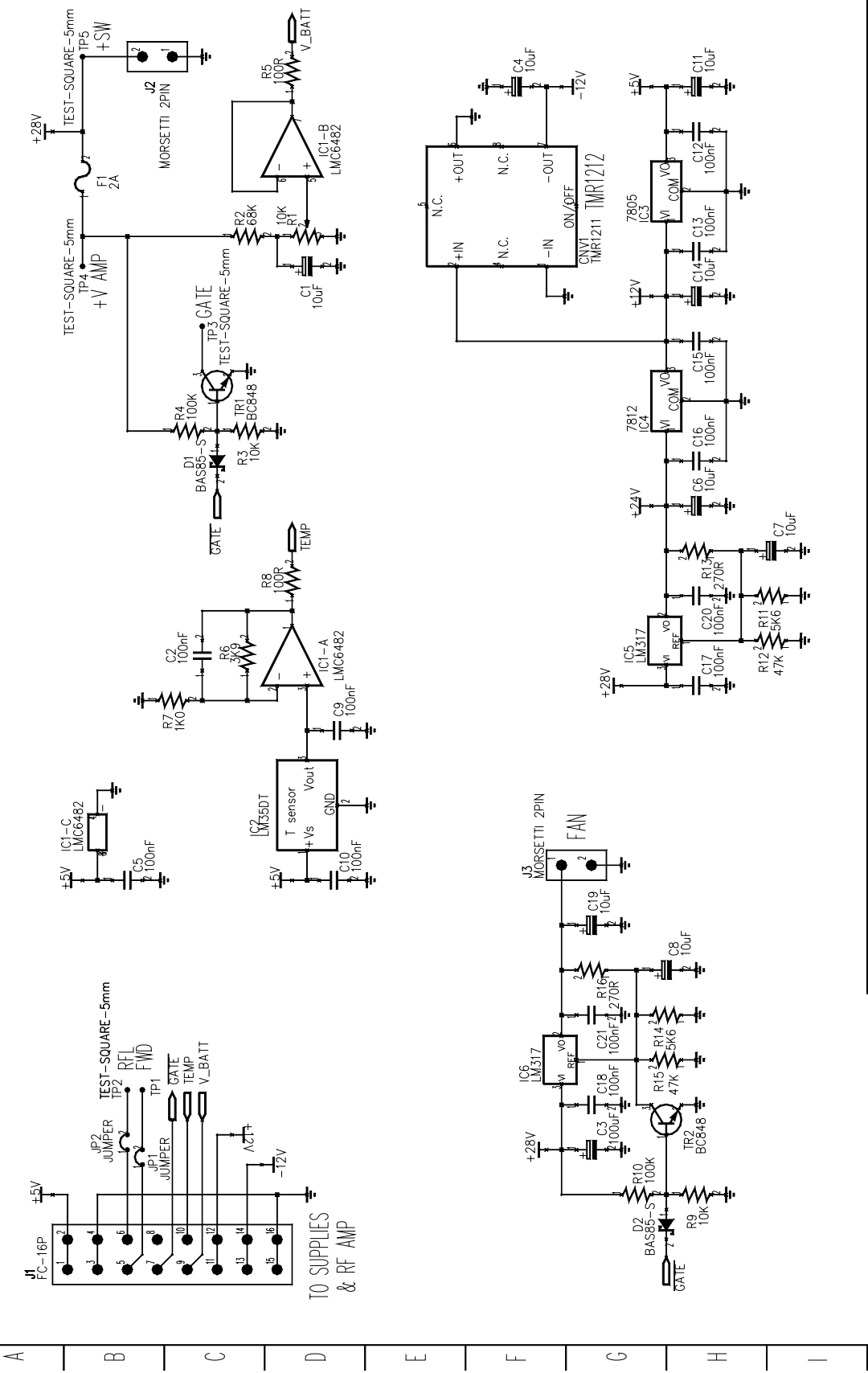
I

L



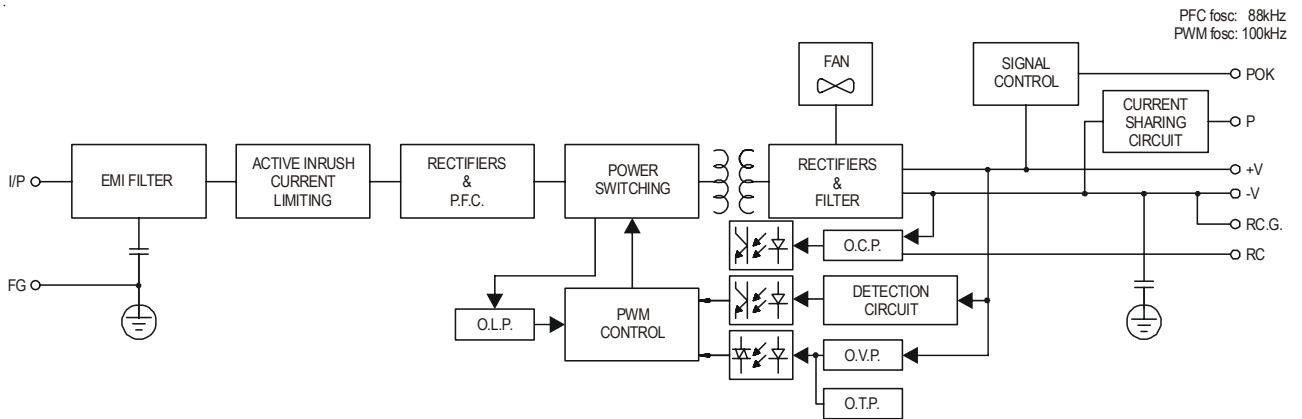
	ELECTRIC DIAGRAM		DESIGNER	LAVOLPE	SIGNATURE	DATE	19/12/06
	ASSEMBLY CODE	TITLE	PCB DESIGNER	TULLO	SIGNATURE	PCB REF	PN1316AR1
SCH0426A	FM AMPLIFIER INTERFACE BOARD					SHEET	1/1

0 1 2 3 4 5 6 7 8 9

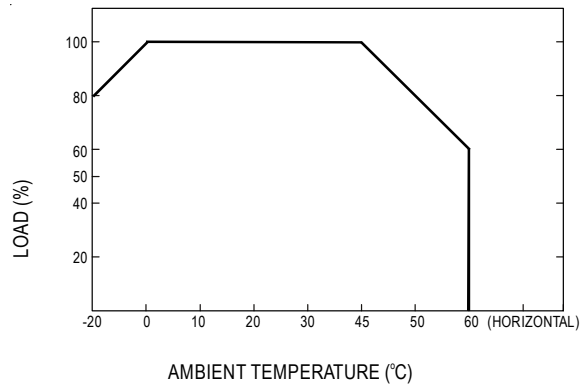


		ELECTRIC DIAGRAM		DESIGNER	SIGNATURE	DATE
		TITLE		PCB DESIGNER	SIGNATURE	PCB REF
ASSEMBLY CODE		RF I/O AND POWER SUPPLIES		MINERVINI		20/07/06
SCH0371B				TULLO		PN12544R2
						SHEET
						1/1

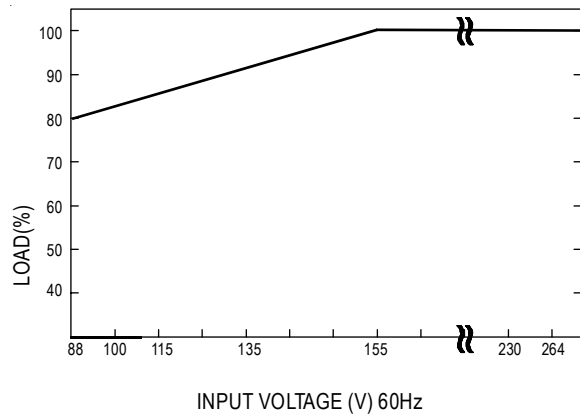
BLOCK DIAGRAM

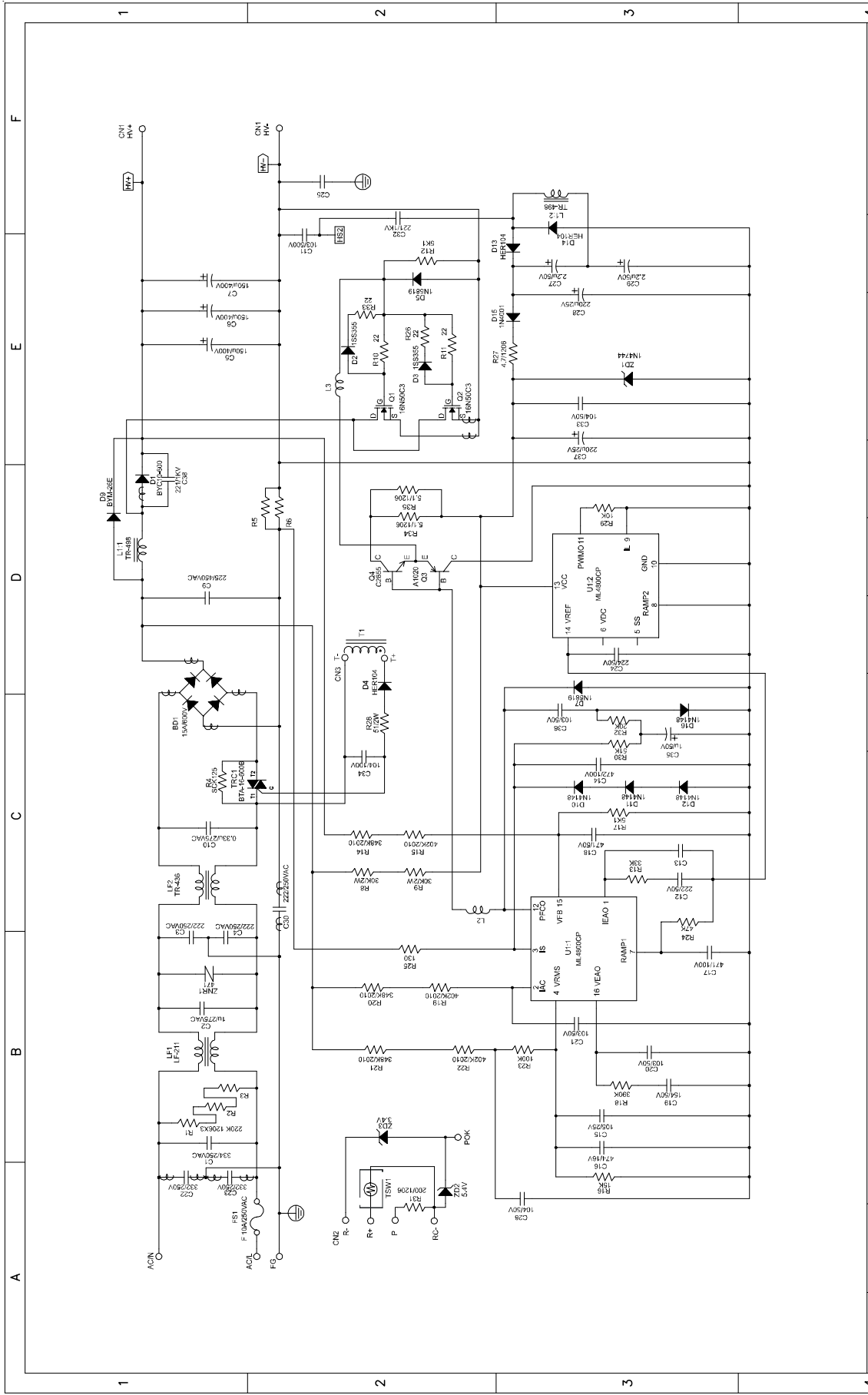


DERATING CURVE

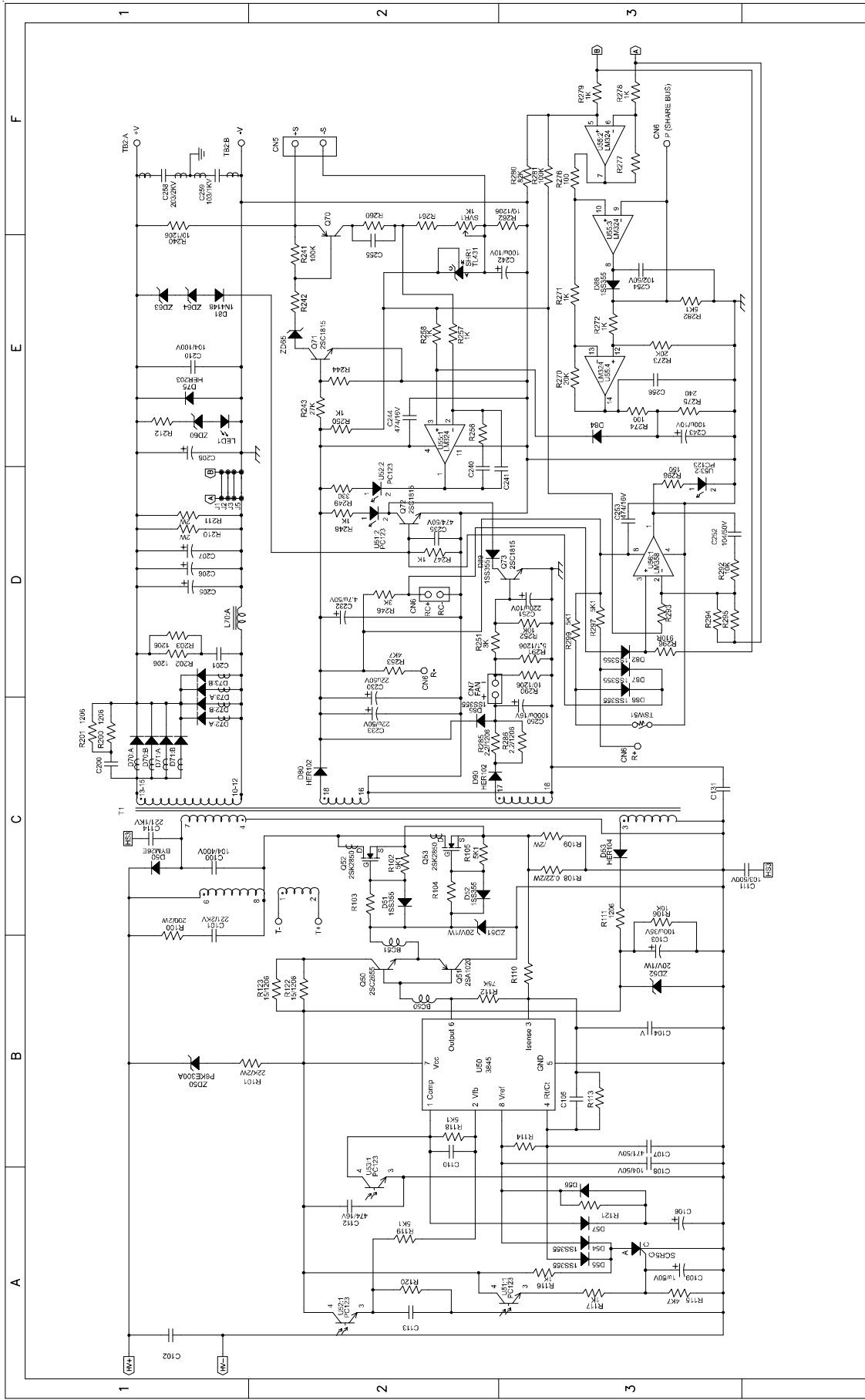


OUTPUT DERATING VS INPUT VOLTAGE





ECN	CORE	DATE	DESCRIPTION	APPROVAL	DESIGNED	CHECKED	DRAWN	SUBJECT
								PSP-600A
								REVISION
								FILENAME
								R0 DATE 2004-08-17
								PSP-600A-R0.sch
								MEAN WELL ENTERPRISES CO., LTD. Sheet 1 of 2



ECON.	CORE	DATE	DESCRIPTION	APPROVAL	DESIGNED	CHECKED	DRAWN

		SUBJECT	PSP-600B
REVISION	R3	DATE	2006-12-21
FILENAME	PSP-600B-R3.sch		
MEAN WELL ENTERPRISES CO., LTD.		Sheet	1 of 2