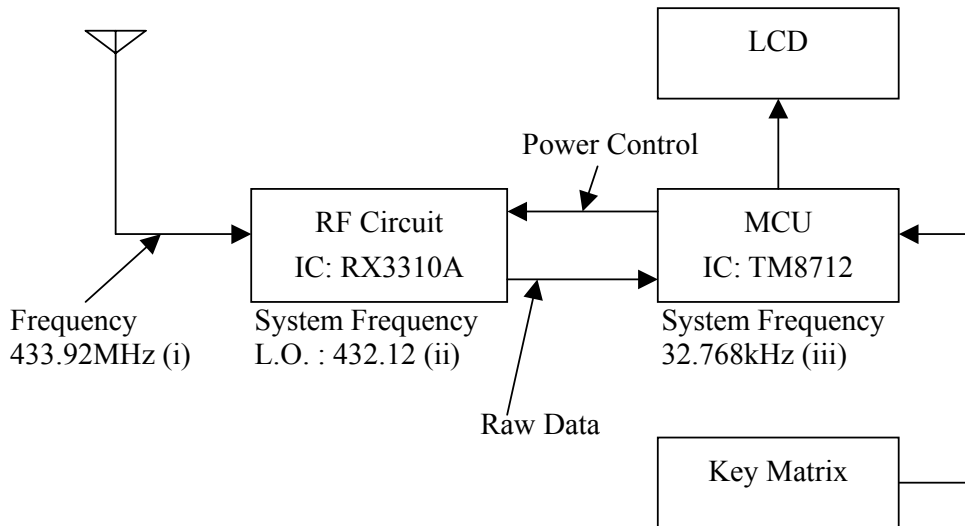
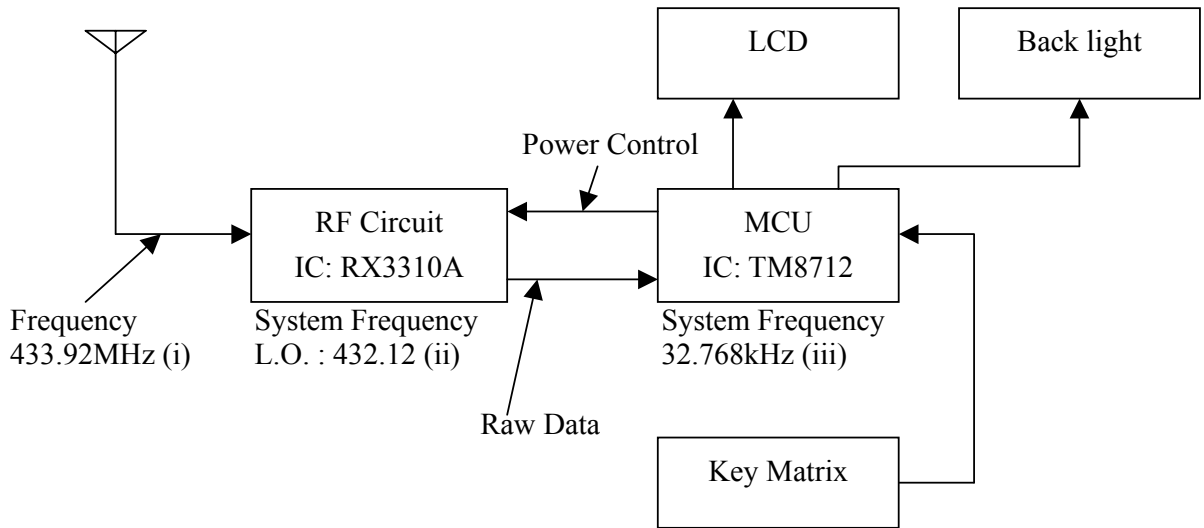


Block Diagram of 7249/7349 (Rx)



- (i) The Frequency is the frequency that the antenna received
- (ii) The LO is 432.12MHz
- (iii) The frequency is the clock of the MCU for normal operation.

Block Diagram of 7247/7347 (Rx)



- (i) The Frequency is the frequency that the antenna received
- (ii) The LO is 432.12MHz
- (iii) The frequency is the clock of the MCU for normal operation.

HiMARK Technology, Inc. reserves the right to change the product described in this datasheet. All information contained in this datasheet is subject to change without prior notice. HiMARK Technology, Inc. assumes no responsibility for the use of any circuits shown in this datasheet.

Description

The RX3310A is a fully integrated, amplitude-shift-keying (ASK) modulation, single chip receiver. It is designed to operate in a variety of low power radio applications. All popular radio frequencies from 250 MHz to 450 MHz may be supported by simply choosing the appropriate external components. Particular emphasis has been placed on low current consumption.

Features

- ◆ Wide frequency range: 250 MHz to 450 MHz
- ◆ High sensitivity
- ◆ Low power consumption
- ◆ Automotive temperature range
- ◆ High integration level requiring few and inexpensive external components
- ◆ SOP 18L package or SSOP 20L (150 mil) package

Applications

- ◆ Remote control systems
- ◆ Car alarm and other security systems
- ◆ Baby finder, wireless doorbell, wireless toys

Block Diagram

