

**TABLE OF CONTENTS LIST**

**APPLICANT:** TTI TECH CO., LTD.

**FCC ID:** PDHGMRS7001

**TEST REPORT:**

PAGE 1.....GENERAL INFORMATION & TECHNICAL DESCRIPTION  
PAGE 2.....TECHNICAL DESCRIPTION & RF POWER OUTPUT  
PAGE 3.....MOD. CHARACTERISTICS & AUDIO FREQUENCY RESPONSE GRAPH  
PAGE 4.....MODULATION LIMITING GRAPH - 300 Hz  
PAGE 5.....MODULATION LIMITING GRAPH - 1000 Hz & 2500 Hz  
PAGE 6.....AUDIO LOW PASS FILTER GRAPH  
PAGE 7.....OCCUPIED BANDWIDTH  
PAGE 8.....OCCUPIED BANDWIDTH PLOT  
PAGE 9.....SPURIOUS EMISSIONS AT ANTENNA TERMINALS  
PAGE 10.....UNWANTED RADIATION - GMRS  
PAGE 11.....UNWANTED RADIATION - FRS  
PAGE 12.....METHOD OF MEASURING RADIATED SPURIOUS EMISSIONS  
PAGE 13.....FREQUENCY STABILITY  
PAGE 14-16..LIST OF TEST EQUIPMENT

**EXHIBITS CONTAINING:**

EXHIBIT 1.....FCC ID LABEL SAMPLE  
EXHIBIT 2.....LABEL LOCATION  
EXHIBIT 3.....EXTERNAL PHOTOGRAPHS  
EXHIBIT 4.....INTERNAL PHOTOGRAPHS  
EXHIBIT 5.....BLOCK DIAGRAM  
EXHIBIT 6.....SCHEMATICS  
EXHIBIT 7.....USER'S MANUAL  
EXHIBIT 8.....THEORY OF OPERATION  
EXHIBIT 9.....ALIGNMENT PROCEDURE  
EXHIBIT 10.....PARTS LIST  
EXHIBIT 11.....TEST SET UP PHOTO

**APPLICANT:** TTI TECH CO., LTD.

**FCC ID:** PDHGMRS7001

**REPORT #:** T/TTI\_PDH\350UT3\350UT3TestReport.doc

**TABLE OF CONTENTS**

GENERAL INFORMATION REQUIRED  
FOR CERTIFICATION

2.1033(c)(1)(2) TTI TECH CO., LTD. will manufacture the  
FCCID: PDHGMRS7001 GMRS/FRS COMBINATION  
TRANSCEIVER in quantity, for use under  
FCC RULES PART 95.

TTI TECH CO., LTD.  
EUNDO BLDG. # 402, 737-19,  
BANPO-1DONG SEOCHO-KU,  
137-041, KOREA

2.1033 (c) TECHNICAL DESCRIPTION

2.1033(c)(3) Instruction book. A draft copy of the instruction  
manual is included as EXHIBIT 7.

2.1033(c) (4) Type of Emission: 10K5F3E  
95.631

$B_n = 2M + 2DK$

$M = 3000$

$D = 2.25K$

$B_n = 2(3000)+2(2250) = 10.5K$

GMRS Authorized Bandwidth 20.0 kHz

2.1033(c)(5) GMRS Frequency Range: 1. 462.5500 13. 462.7000  
95.621 2. 462.5625 14. 462.7125  
3. 462.5750 15. 462.7250  
4. 462.5875 16. 467.5500  
5. 462.6000 17. 467.5750  
6. 462.6125 18. 467.6000  
7. 462.6250 19. 467.6250  
8. 462.6375 20. 467.6500  
9. 462.6500 21. 467.6750  
10. 462.6625 22. 467.7000  
11. 462.6750 23. 467.7250  
12. 462.6875

FRS Authorized Bandwidth 12.5KHz

2.1033(c)(5) FRS Frequency Range: 1. 462.5625 8. 467.5625  
95.627 2. 462.5875 9. 467.5875  
3. 462.6125 10. 467.6125  
4. 462.6375 11. 467.6375  
5. 462.6625 12. 467.6625  
6. 462.6875 13. 467.6875  
7. 462.7125 14. 467.7125 MHz

2.10311c)(6)(7) RF power is measured by the substitution method as  
2.1046(a) outlined in TIA/EIA - 603. With a nominal battery  
voltage of 7.5 V, and the transmitter properly  
adjusted the RF output measures:

GMRS (HIGH) - 1.8 Watts

GMRS (LOW) - 0.3 Watts

FRS - 0.4 Watts

APPLICANT: TTI TECH CO., LTD.  
FCC ID: PDHGMRS7001  
REPORT #: T/TTI\_PDH\350UT3\350UT3TestReport.doc  
Page 1 of 16

2.1033(c)(6)(7) FRS Power Output shall not exceed 0.50 Watts effective  
95.639 radiated power. There can be no provisions for  
95.649 increasing the power or varying the power.

2.1033(c)(8) DC Voltages and Current into Final Amplifier:  
FINAL AMPLIFIER ONLY

FOR GMRS LOW POWER SETTING INPUT POWER:  $(7.5 \text{ V})(.297\text{A}) = 2.23 \text{ Watts}$   
FOR GMRS HIGH POWER SETTING INPUT POWER:  $(7.5\text{V})(1.00\text{A}) = 7.50 \text{ Watts}$

2.1033(c)(9) Tune-up procedure. The tune-up procedure is included  
as EXHIBIT # 9.

2.1033(c)(10) Complete Circuit Diagrams: The circuit diagram is  
included as EXHIBIT 6 of this report. The block  
diagrams are included as EXHIBIT 5 of this  
report.

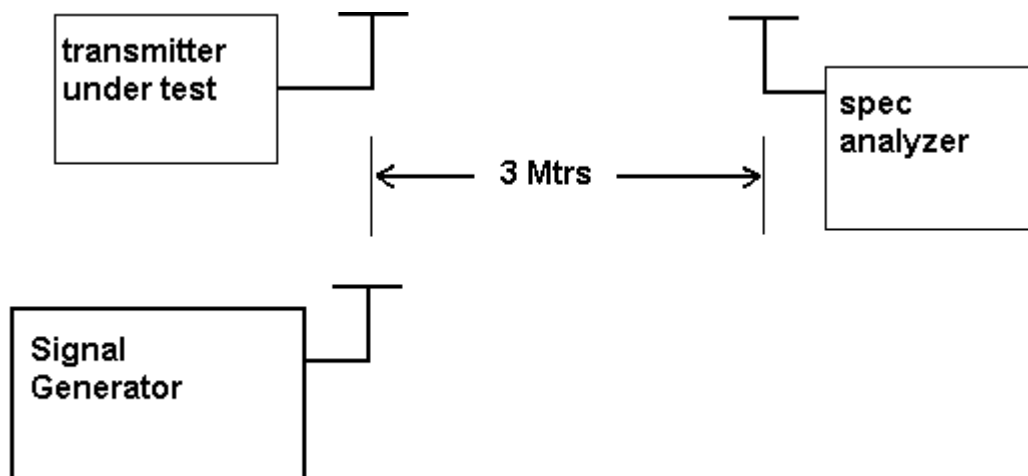
2.1033(c)(11) A photograph or a drawing of the equipment  
identification label is included as exhibit No. 1.

2.1033(c)(12) Photographs(8"X10") of the equipment of sufficient  
clarity to reveal equipment construction and layout,  
including meters, labels for controls, including any  
view under shields. See exhibits 3-4.

2.1033(c)(13) Digital modulation is not allowed.

2.1033(c)(14) The data required by 2.1046 through 2.1057 is  
submitted below.

2.1046(a) RF power output. The test procedure used was  
TIA/EIA-603.



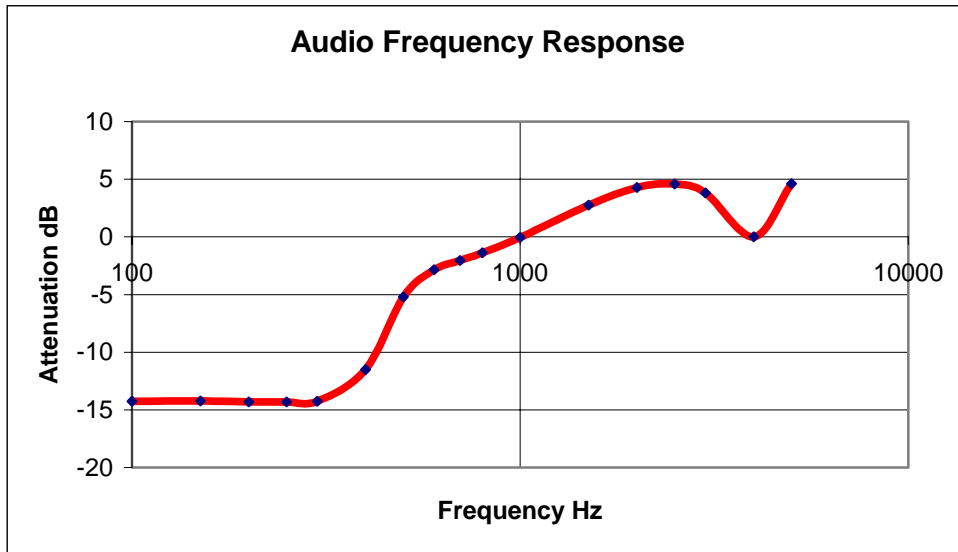
APPLICANT: TTI TECH CO., LTD.  
FCC ID: PDHGMRS7001  
REPORT #: T/TTI\_PDH\350UT3\350UT3TestReport.doc  
Page 3 of 16

2.1047(a)(b) Modulation characteristics:

**AUDIO FREQUENCY RESPONSE**

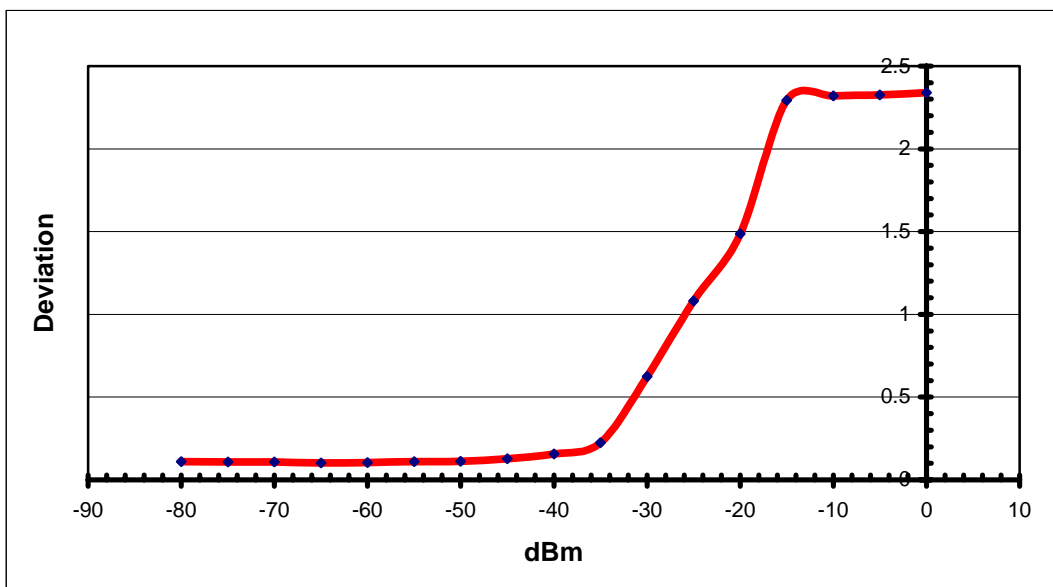
The audio frequency response was measured in accordance with TIA/EIA Specification 603. The audio frequency response curve is shown on the next page. The audio signal was fed into a dummy microphone circuit and into the microphone connector. The input required to produce 30 percent modulation level was measured. See plot below.

**AUDIO FREQUENCY RESPONSE PLOT GOES HERE**

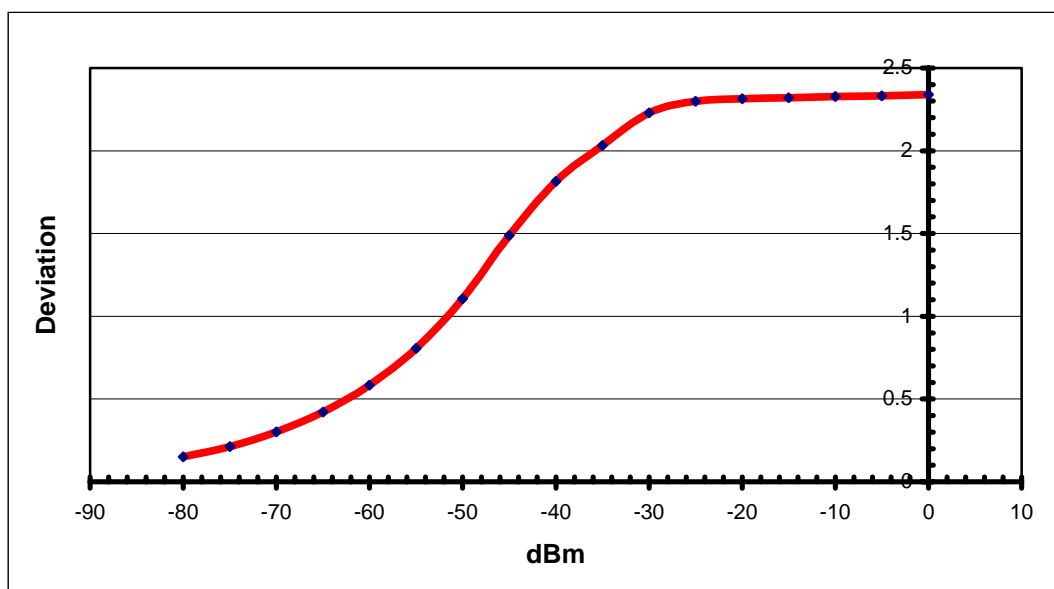


2.1047(b) Audio input versus modulation  
The audio input level needed for a particular percentage of modulation was measured in accordance with TIA/EIA Specification 603. The audio input curves versus modulation are on the following pages. Curves are provided for audio input frequencies of 300, 1000, and 2500 Hz. See Pages 4 and 5 of report.

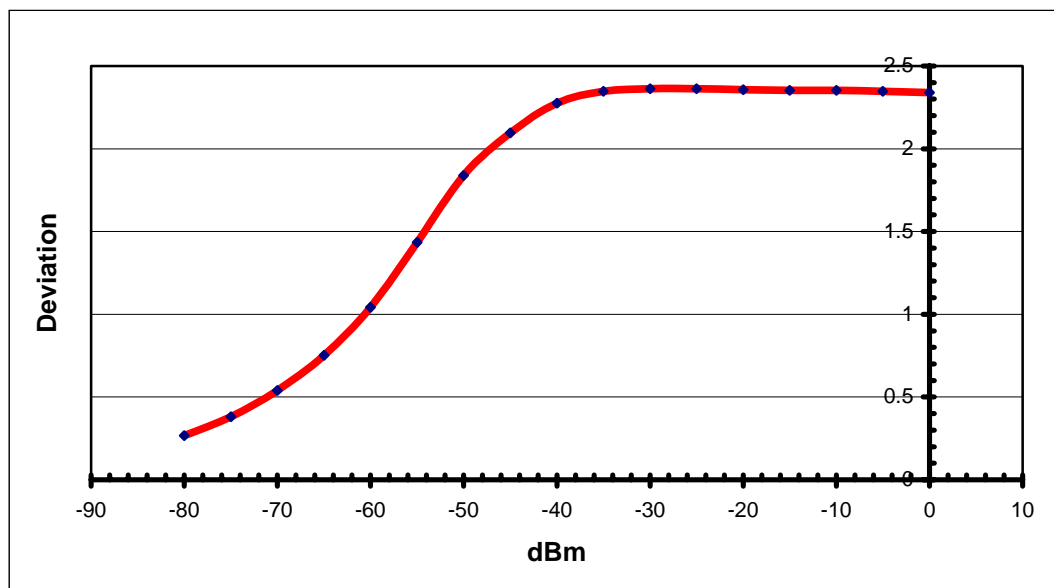
MODULATION LIMITING PLOT - 300 Hz



MODULATION LIMITING PLOT - 1000 Hz



MODULATION LIMITING PLOT - 2500 Hz

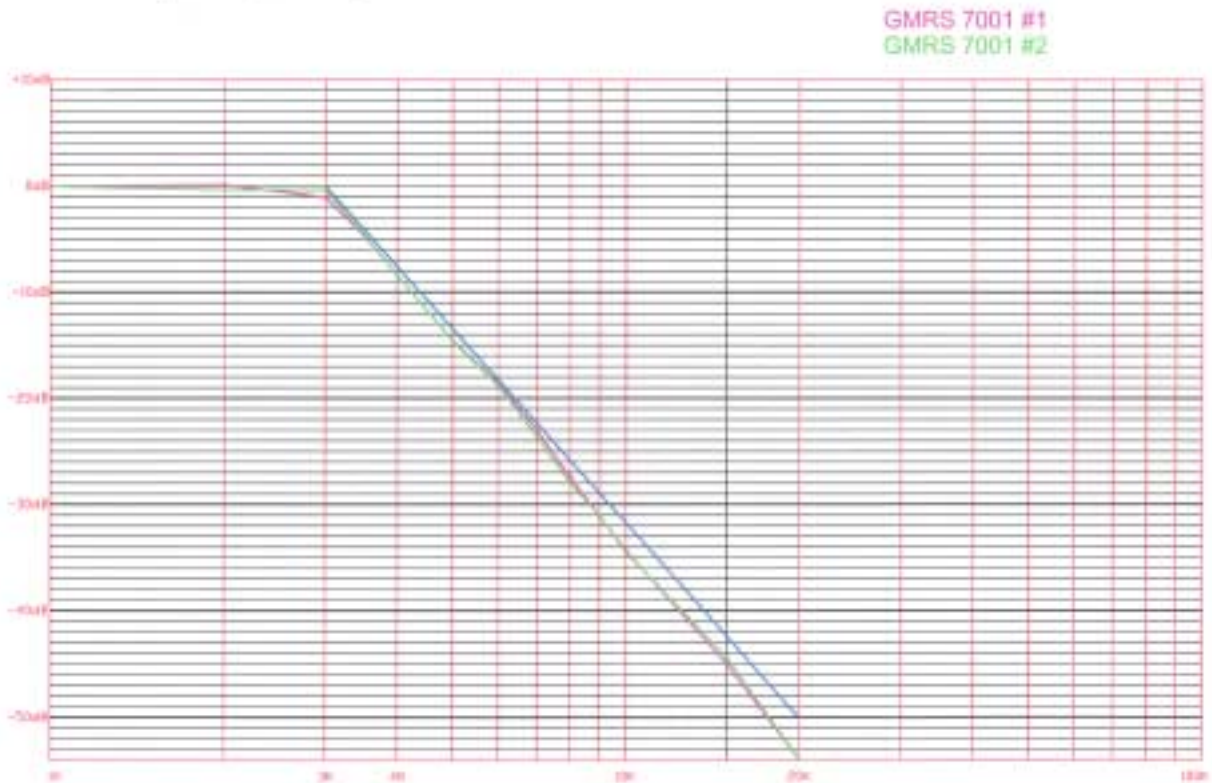


95.637

Post Limiter Filter Each GMRS transmitter, except a mobile station transmitter with a power of 2.5Watts or less, must be equipped with an audio low pass filter. At any frequency between 3 & 20 kHz the filter must have an attenuation of  $60\log(f/3)$  greater than the attenuation at 1KHz. See below.

### AUDIO LOW PASS FILTER PLOT

Frequency Response of the Audio Low Pass Filter (150mVrms INPUT)

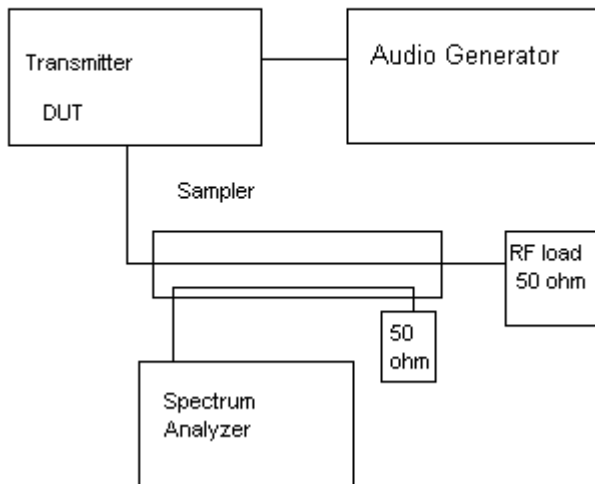




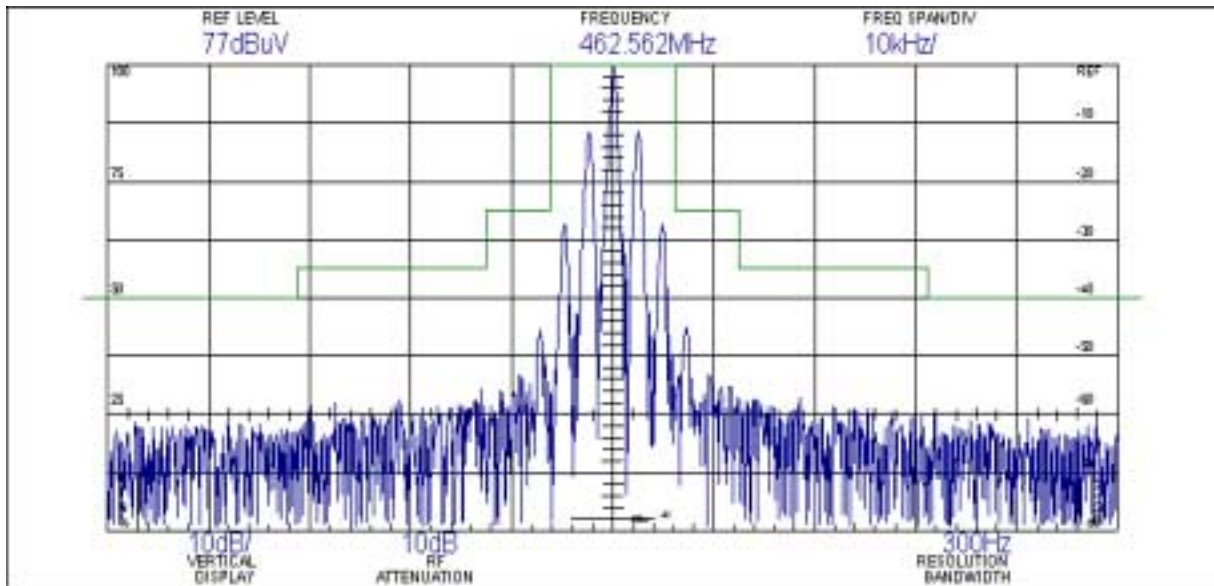
2.1049 Occupied bandwidth:  
95.635(b)(1)(3)(7)

At least 25dB on any frequency removed from the center of the authorized bandwidth by more than 50% up to and including 100% of the authorized bandwidth. At least 35 dB on any frequency removed from the center of the authorized BW by more than 100% up to and including 250% of the authorized BW. At least  $43 + \log_{10}(TP)$  dB on any frequency removed from the center of the authorized bandwidth by more than 250%. See plots on the next 2 pages.

Occupied BW Test Equipment Setup

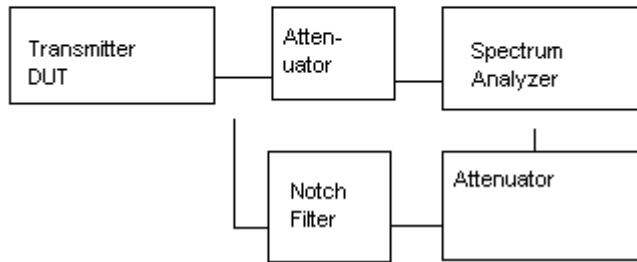


OCCUPIED BANDWIDTH PLOT



2.1051 Spurious emissions at antenna terminals(conducted):  
The following data shows the level of conducted spurious responses at the antenna terminal. The test procedure used was TIA/EIA 603 S2.2.13 with the exception that the emissions were recorded in dBc. The spectrum was scanned from 0.4 to at least the 10th harmonic of the fundamental.

Spurious Emissions at  
Antenna Terminals



Method of Measuring Conducted Spurious Emissions

2.1051 Spurious emissions at the Antenna Terminals

NAME OF TEST: SPURIOUS EMISSIONS AT ANTENNA TERMINALS

2.1051 Not Applicable, no antenna terminal allowed.

2.1053  
95.635(b)(7)

UNWANTED RADIATION:

The tabulated Data shows the results of the radiated field strength emissions test. The spectrum was scanned from 30 MHz to at least the 10th harmonic of the fundamental. This test was conducted per ANSI C63.4-1992.

REQUIREMENTS: GMRS (HIGH):  $43 + 10\log(1.8) = 46$  dB  
(LOW) :  $43 + 10\log(0.3) = 38$  dB

TEST DATA (GMRS):

HIGH:

EMISSION FREQUENCY	dBm	ATTN dBc	MARGIN dB
462.62	+32.6	0.00	0.00
925.24	-19	52	6
1387.86	-24	57	11
1850.48	-34	67	21
2313.10	-33	66	20
2775.72	-28	61	15
3238.34	-36	69	23
3700.96	-24	57	11
4163.58	-36	69	23
4626.20	-37	70	24

LOW:

EMISSION FREQUENCY	dBm	ATTN dBc	MARGIN dB
462.62	+24.8	0.00	0.00
925.24	-19	44	6
1387.86	-36	61	23
1850.48	-35	60	22
2313.10	-43	68	30
2775.72	-37	62	24
3238.34	-42	67	29
3700.96	-27	52	14
4163.58	-39	64	26
4626.20	-42	67	29

METHOD OF MEASUREMENT: The tabulated data shows the results of the radiated field strength emissions test. The spectrum was scanned from 30 MHz to at least the tenth harmonic of the fundamental. This test was conducted per TIA/EIA STANDARD 603 using the substitution method. Measurements were made at the open field test site of TIMCO ENGINEERING, INC. located at 849 NW State Road 45, Newberry, FL 32669.

APPLICANT: TTI TECH CO., LTD.  
FCC ID: PDHGMS7001  
REPORT #: T/TTI\_PDH\350UT3\350UT3TestReport.doc  
Page 11 of 16

APPLICANT: TTI TECH CO., LTD.  
FCC ID: PDHGMRS7001  
REPORT #: T/TTI\_PDH\350UT3\350UT3TestReport.doc  
Page 12 of 16

2.1053  
95.635(b)(7)

UNWANTED RADIATION:

The tabulated Data shows the results of the radiated field strength emissions test. The spectrum was scanned from 30 MHz to at least the 10th harmonic of the fundamental. This test was conducted per ANSI C63.4-1992.

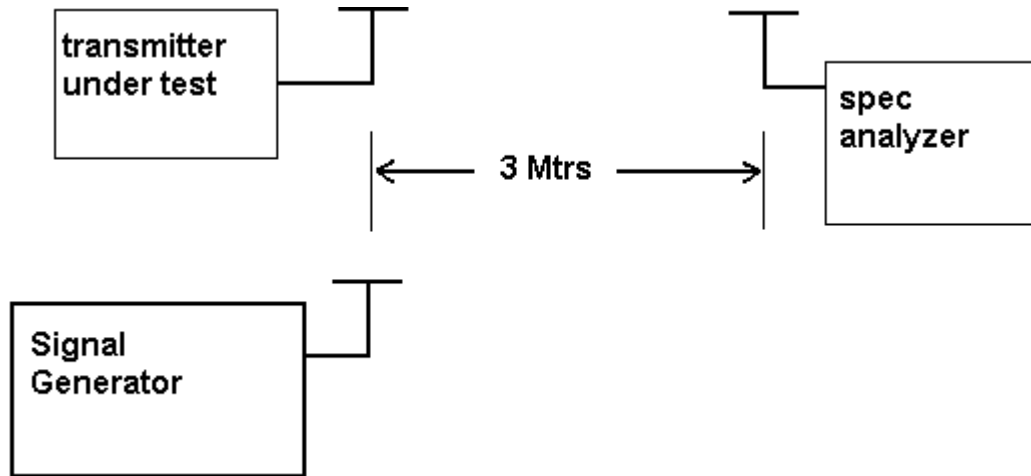
REQUIREMENTS: FRS:  $43 + 10\log(.4) = 39$  dB

**TEST DATA (FRS):**

<b>EMISSION FREQUENCY</b>	<b>dBm</b>	<b>ATTN dBc</b>	<b>MARGIN dB</b>
467.62	+26	0.00	0.00
935.24	-18	44	5
1402.85	-36	62	23
1870.47	-32	58	19
2338.09	-41	67	28
2805.71	-37	63	24
3273.32	-41	67	28
3740.94	-31	57	18
4208.56	-38	64	25
4676.18	-41	67	28

METHOD OF MEASUREMENT: The tabulated data shows the results of the radiated field strength emissions test. The spectrum was scanned from 30 MHz to at least the tenth harmonic of the fundamental. This test was conducted per TIA/EIA STANDARD 603 using the substitution method. Measurements were made at the open field test site of TIMCO ENGINEERING, INC. located at 849 NW State Road 45, Newberry, FL 32669.

Method of Measuring Radiated Spurious Emissions



Equipment placed 80 cm above ground  
on a rotatable platform.

\* Appropriate antenna raised from 1 to 4 M.

2.1055  
95.621(b)

Frequency stability:

Temperature and voltage tests were performed to verify that the frequency remains within the 0.0005%, 5 ppm specification limit. The test was conducted as follows: The transmitter was placed in the temperature chamber at 25 degrees C and allowed to stabilize for one hour. The transmitter was keyed ON for one minute during which four frequency readings were recorded at 15 second intervals. The worse case number was taken for temperature plotting. The assigned channel frequency was considered to be the reference frequency. The temperature was then reduced to -30 degrees C after which the transmitter was again allowed to stabilize for one hour. The transmitter was keyed ON for one minute, and again frequency readings were noted at 15 second intervals. The worst case number was recorded for temperature plotting. This procedure was repeated in 10 degree increments up to + 50 degrees C.

Readings were also taken at battery end point of 7.5 V/dc.

MEASUREMENT DATA:

Assigned Frequency (Ref. Frequency): 462.6375

TEMPERATURE C	FREQUENCY MHz	PPM
REFERENCE_____	462.6375	00.00
-30C_____	462.63654	-2.08
-20C_____	462.63772	0.48
-10C_____	462.63836	1.86
0C_____	462.63837	1.88
10C_____	462.63771	0.45
20C_____	462.6371	-0.86
30C_____	462.63705	-0.97
40C_____	462.63726	-0.52
50C_____	462.6374	-0.22

BATTERY END POINT 6.4 VDC 462.63716 -0.73

Note: This EUT meets the frequency stability requirement for a FRS: +/- 2.5ppm over temp range of -20 degrees C to +50 degrees C. It also meets the GMRS frequency stability requirements: +/- 5ppm over the temp range -30 degrees C to +50 degrees C.



## EMC Equipment List

	DEVICE	MFGR	MODEL	SERNO	CAL/CHAR DATE	DUE DATE or STATUS
X	3-Meter OATS	TEI	N/A	N/A	Listed 12/22/99	12/22/02
	3/10-Meter OATS	TEI	N/A	N/A	Listed 3/26/01	3/26/04
	Receiver, Beige Tower Spectrum Analyzer (Tan)	HP	8566B Opt 462	3138A07786 3144A20661	CAL 8/31/01	8/31/03
	RF Preselector (Tan)	HP	85685A	3221A01400	CAL 8/31/01	8/31/03
	Quasi-Peak Adapter (Tan)	HP	85650A	3303A01690	CAL 8/31/01	8/31/03
X	Receiver, Blue Tower Spectrum Analyzer (Blue)	HP	8568B	2928A04729 2848A18049	CHAR 10/22/01	10/22/03
X	RF Preselector (Blue)	HP	85685A	2926A00983	CHAR 10/22/01	10/22/03
X	Quasi-Peak Adapter (Blue)	HP	85650A	2811A01279	CHAR 10/22/01	10/22/03
X	Biconnical Antenna	Electro-Metrics	BIA-25	1171	CAL 4/26/01	4/26/03
	Biconnical Antenna	Eaton	94455-1	1096	CAL 10/1/01	10/1/03
	Biconnical Antenna	Eaton	94455-1	1057	CHAR 3/15/00	3/15/02
	BiconiLog Antenna	EMCO	3143	9409-1043		
X	Log-Periodic Antenna	Electro-Metrics	LPA-25	1122	CAL 10/2/01	10/2/03
	Log-Periodic Antenna	Electro-Metrics	EM-6950	632	CHAR 10/15/01	10/15/03
	Log-Periodic Antenna	Electro-Metrics	LPA-30	409	CHAR 10/16/01	10/16/03
	Dipole Antenna Kit	Electro-Metrics	TDA-30/1-4	152	CAL 3/21/01	3/21/04
	Dipole Antenna Kit	Electro-Metrics	TDA-30/1-4	153	CHAR 11/24/00	11/24/03
	Double-Ridged Horn Antenna	Electro-Metrics	RGA-180	2319	CAL 12/19/01	12/19/03
	Horn Antenna	Electro-Metrics	EM-6961	6246	CAL 3/21/01	3/21/03
	Horn Antenna	ATM	19-443-6R	None	No Cal Required	
	Passive Loop Antenna	EMC Test Systems	EMCO 6512	9706-1211	CHAR 7/10/01	7/10/03

	DEVICE	MFGR	MODEL	SERNO	CAL/CHAR DATE	DUE DATE or STATUS
	Line Impedance Stabilization . . .	Electro-Metrics	ANS-25/2	2604	CAL 10/9/01	10/9/03
	Line Impedance Stabilization . . .	Electro-Metrics	EM-7820	2682	CAL 3/16/01	3/16/03
	Termaline Wattmeter	Bird Electronic Corporation	611	16405	CAL 5/25/99	5/25/01
	Termaline Wattmeter	Bird Electronic Corporation	6104	1926	CAL 12/12/01	12/12/03
	Oscilloscope	Tektronix	2230	300572	CHAR 2/1/01	2/1/03
	Temperature Chamber	Tenney Engineering	TTRC	11717-7	CHAR 1/22/02	1/22/04
	AC Voltmeter	HP	400FL	2213A14499	CAL 10/9/01	10/9/03
	AC Voltmeter	HP	400FL	2213A14261	CHAR 10/15/01	10/15/03
	AC Voltmeter	HP	400FL	2213A14728	CHAR 10/15/01	10/15/03
X	Digital Multimeter	Fluke	77	35053830	CHAR 1/8/02	1/8/04
	Digital Multimeter	Fluke	77	43850817	CHAR 1/8/02	1/8/04
	Digital Multimeter	HP	E2377A	2927J05849	CHAR 1/8/02	1/8/04
	Multimeter	Fluke	FLUKE-77-3	79510405	CAL 9/26/01	9/26/03
	Peak Power Meter	HP	8900C	2131A00545	CHAR 1/26/01	1/26/03
	Digital Thermometer	Fluke	2166A	42032	CAL 1/16/02	1/16/04
	Thermometer	Traulsen	SK-128		CHAR 1/22/02	1/22/04
X	Temp/Humidity gauge	EXTech	44577F	E000901	CHAR 1/22/02	1/22/04
	Frequency Counter	HP	5352B	2632A00165	CAL 11/28/01	11/28/03
	Power Sensor	Agilent Technologies	84811A	2551A02705	CAL 1/26/01	1/26/03
	Service Monitor	IFR	FM/AM 500A	5182	CAL 11/22/00	11/22/02
	Comm. Serv. Monitor	IFR	FM/AM 1200S	6593	CAL 5/12/02	5/12/04
	Signal Generator	HP	8640B	2308A21464	CAL 11/15/01	11/15/03
	Modulation Analyzer	HP	8901A	3435A06868	CAL 9/5/01	9/5/03
	Near Field Probe	HP	HP11940A	2650A02748	CHAR 2/1/01	2/1/03

	<b>DEVICE</b>	<b>MFGR</b>	<b>MODEL</b>	<b>SERNO</b>	<b>CAL/CHAR DATE</b>	<b>DUE DATE or STATUS</b>
	BandReject Filter	Lorch Microwave	5BR4-2400/ 60-N	Z1	CHAR 3/2/01	3/2/03
	BandReject Filter	Lorch Microwave	6BR6-2442/ 300-N	Z1	CHAR 3/2/01	3/2/03
	BandReject Filter	Lorch Microwave	5BR4-10525/ 900-S	Z1	CHAR 3/2/01	3/2/03
	High Pas Filter	Microlab	HA-10N		CHAR 10/4/01	10/4/03
	Audio Oscillator	HP	653A	832-00260	CHAR 3/1/01	3/1/03
	Frequency Counter	HP	5382A	1620A03535	CHAR 3/2/01	3/2/03
	Frequency Counter	HP	5385A	3242A07460	CHAR 12/11/01	12/11/03
	Preamplifier	HP	8449B-H02	3008A00372	CHAR 3/4/01	3/4/03
	Amplifier	HP	11975A	2738A01969	CHAR 3/1/01	3/1/03
	Egg Timer	Unk			CHAR 8/31/01	8/31/03
	Measuring Tape, 20M	Kraftixx	0631-20		CHAR 2/1/02	2/1/04
	Measuring Tape, 7.5M	Kraftixx	7.5M PROFI		2/1/02	2/1/04
	Coaxial Cable #51	Insulated Wire Inc.	NPS 2251-2880	Timco #51	CHAR 1/23/02	1/23/04
	Coaxial Cable #64	Semflex Inc.	60637	Timco #64	CHAR 1/24/02	1/24/04
	Coaxial Cable #65	General Cable Co.	E9917 RG233/U	Timco #65	CHAR 1/23/02	1/23/04
	Coaxial Cable #106	Unknown	Unknown	Timco #106	CHAR 1/23/02	1/23/04