

# **Wireless Security & Safety System**

## **HG-1000**

**OWNER'S MANUAL**

# Table of Contents

Introduction (HG-1000) .....	3
System Package .....	3
Optional Accessories .....	3
Planning for Installation .....	4
Choosing Location .....	4
Setting Alarm Zones .....	4
Installing the Back-up Battery .....	4
Power the Main Console .....	4
Connecting the Telephone Line .....	5
Setting the Antenna .....	5
Mounting the Main Console .....	5
About Password .....	5
Others .....	5
About the Main Console Operation .....	6
LCD Panel illustration. ....	6
Function for Installer-Factory Default Password .....	8
Function for Master-Factory Default Password .....	14
Check Function .....	15
Speed Dial Function .....	15
Arm or Disarm via the Telephone Line .....	15
Auto Dialer Priority... ..	16
LCD "MSG" Message Indicating on LCD .....	16
SR-129 Remote Control Handset.....	17
HG-120 PIR Motion Detector .....	18
HG-122/HG-123 Door/Window Detector .....	21
SS-206 Mini Siren .....	24
Summary of Main Console Programmed .....	25
Specifications of Security System .....	26

# Important Safety Instruction

WARNING: TO REDUCE THE RISK OF FIRE OR ELECTRIC SHOCK, DO NOT EXPOSE THIS APPLIANCE OR POWER ADAPTER TO WATER OR MOISTURE

- **Read Instructions** – All the safety and operating instructions should be read before operating this equipment. These instructions should be retained for future reference
- **Heed Warnings** – All warnings on the equipment and in the operating instructions should be adhered to. All instructions regarding care and operation of this equipment should be followed.
- **Power Sources** – Equipment should only be connected to the power supply specified in the operating instructions or as marked on the equipment.
- **Grounding or Polarization** – Take precautions that the equipment is properly grounded. Take note that the power supply is fitted in the correct input jack ( marked DC 12V ), and auxiliary units ( external siren and strobe light ) are fitted into the correct external jack points.
- **Power-Cord Protection** – Keep cable cords and plugs clear of other objects, particularly at the point where they exit the equipment.
- **Cleaning** – Clean the equipment by wiping with a soft cloth, ( do not use any abrasive agents or water ).
- **Non-use Periods** – Power cords should be unplugged from the outlet when left unused for a long period of time.
- **Object and Liquid Entry** – Take care not to drop objects or liquids on any part of the equipment.
- **Damage Requiring Service** – The alarm should be serviced by a qualified service personnel when:
  - The power-supply cord or the plug has been damaged, or
  - Objects have fallen, or liquid has been spilled onto the equipment, or
  - The equipment has been exposed to rain, or
  - The equipment does not appear to operate normally or exhibits a marked change in performance, or
  - The equipment has been dropped, and/or the enclosure has been damaged.
- **Servicing** – Do not attempt to service the appliance beyond that described in the operating instructions. All other servicing should be referred to a Qualified Distributor's Service Personnel.
- **System Maintenance** – Under normal use your system requires virtually no maintenance other than regular testing. It is recommended that you test your system once a week, and replace the batteries at least once every 6 months ( or as needed ).

IMPORTANT NOTE: IF YOU RETURN TO YOUR PREMISES AND FIND THAT THE ALARM IS IN PROGRESS, DO NOT ENTER, AS A FIRE OR AN INTRUDER MAY BE PRESENT. GO TO A NEIGHBOR AND CONTACT THE RELEVANT LOCAL AUTHORITIES FROM THERE.

# Introduction

Thank you for choosing our wireless home security system. This Security System is high-quality, reliable and versatile security system. This system built in Auto-dialer function. To ensure the best performance of your system, please read this manual thoroughly and follow the precautions and instructions presented. These systems are designed to be simple and easy to install and maintain.

- Wireless easy to use** : No messy and expensive wiring is required to install the system.
- Expandability** : You can add different kinds of accessories to the system to create a more complex system as your future needs may require.
- Flexibility** : You can choose the kinds of sensors and response actions for the system.
- Personalized** : Program the system to notify whoever you choose in the case of alarm activation.

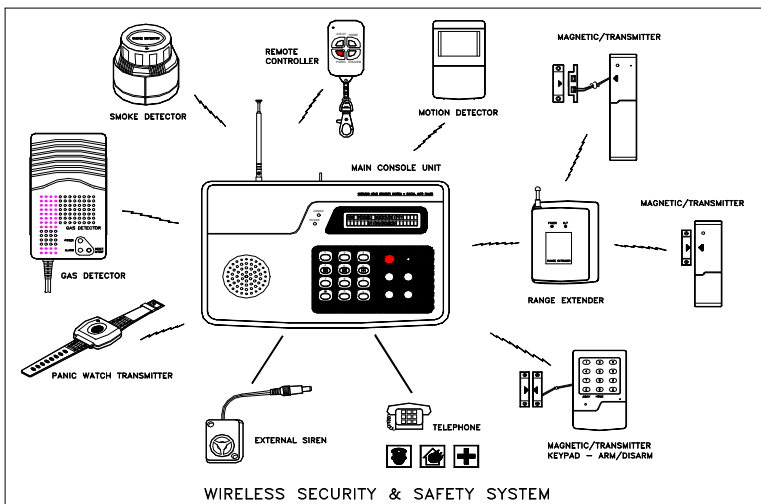
## System Package

HG-1000	X 1	Main Console
SR-129	X 1	Remote Control Handset
HG-120	X 1	PIR Motion Detector
HG-122	X 1	Door/Window Detector (12V battery)
SS-206	X 1	Wired Mini Siren

## Optional Accessories

SR-117	Panic Watch Transmitter	HR-126	Range Extender
HG-118	Smoke Detector	SS-207	Wired External Siren with Strobe Light
HG-123	Door/Window Detector (9V)	8KR-700	Rechargeable Battery (for HG-1000)
HG-124	Door Keypad	8KR-180	Rechargeable Battery (for HR-126)
HG-125	Gas Detector		

# Planning for Installation



The security system is designed to be as flexible as possible in order to meet your present needs, and also to adapt as your needs change. For the reason, we recommend that you read and consider the following information and plan your system before installing devices.

## Choosing Location

It is important to try and place the Main Console in an area central. This way, it can let all the sensors transmit signals with maximum efficiency. In addition, the Main Console must be placed near a power outlet and telephone jack, because the system needs to be connected with them.

## Setting Alarm Zones

Before installation, you shall have the sensors learn into Main Console via system learning mode of the Main Console. This system allows to install maximum 63 wireless sensors.

## Installing the Back-up Battery

Remove the battery cover of the Main Console and install the backup battery set to ensure security system in normal operation when AC adapter is out of work.

## Powering the Main Console

1. Attach the end of the adapter into the connector provided at the back inside of the console.
2. Locate the AC adapter, plug the AC adaptor to power outlet.
3. Shown as the LCD screen while power on.

Welcome

00 HOME SECURITY  
Disarmed

## Connecting the Telephone Line

To correct the Main Console to the telephone line, Please follow these steps:

1. Locate the two phone jacks on the back inside of the main console. These phone jacks are marked " Phone " and " Line ".
2. Connect one end of the telephone cord that came with the system into the connector labeled Line. Connect the other end of that cord into the wall jack.
3. Connect a telephone to the Main Console through the phone jack.
4. Set the back cover and fix it securely. (Before setting the back cover, you need to finish the Battery and AC Adaptor installation)

## Setting the Antenna

Carefully extend the antenna upward in order to maximize the range of communication between sensors and the Main console.

## Mounting the Main Console

The Main Console may be set on a table top, or mounted on a wall. To mount the console on a wall, follow these steps.

1. Remove the two black rubber pads and store them away for future use.
2. Measure and fix screws into the wall so that the two screws fit into grooves left under removed pads.
3. Connect all wire connection to the jacks on the back inside. and replace to back cover.
4. Set the console onto the screws and carefully allow the console to drop into the groove securely from inside.

## About Passwords

This system provides two sets of password for setting the system. A "Install " B "Master "

A "Install " : You can use this password to set the system, such as telephone numbers or record message...etc

B "Master " : This password is used for setting " Arm"( Arm away or Arm home) or "Disarm" the system. When the system is finished installation, your family members only need to " Arm" or "Disarm" the system.

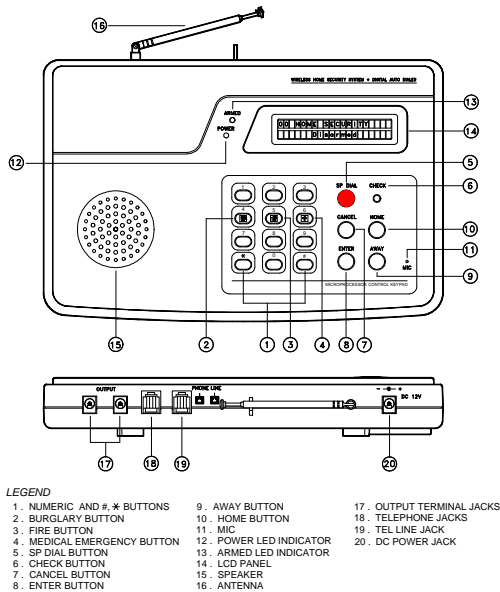
## Others

We recommend that you install and program the console after installing the other components (sensors) of the system. This is to ensure that all of the components are working together properly.

# About the Main Console operation

The Main Console is the heart of the security system. It monitors the sensors and the responds according to how it is programmed, whenever the sensor is activated. The controls shown on the Main Console may look complex at the first sight, however, most procedures are straightforward and easy. Please review the illustration below which labels all of the parts of the Main Console.

## LCD Panel Illustration



- 1. Numeric keys and #, \* keys** : For telephone setting included pound and star keys.
- 2. Burglary Button** : SP DIAL button together with Burglary Button
- 3. Fire Button** : SP DIAL button together with Fire Button
- 4. Medical Emergency** : SP DIAL button together with Fire Button
- 5. SP DIAL button** : Press SP DIAL button together with 4, 5 or 6 to activate 3-emergency dialing
- 6. Check** : Press CHECK button to review sensor setting and check recording message.....
- 7. Cancel** : Press CANCEL button to go back to previous menu or deleted MSG.
- 8. Enter** : Press ENTER to confirm program entry.
- 9. Away** : Key-in the " Master " code then press AWAY button to arm at away mode
- 10. Home** : Key-in the " Master " code then press HOME button to arm at home mode
- 11. Mic** : To record the messages and use for two way communication voice input.

- 12. **Power LED** : Indicates the AC Adaptor power is on or off.
- 13. **Armed LED** : When the light 'on', system is armed; the light 'off', system is disarmed.
- 14. **LCD Panel** : Display the message
- 15. **Speaker** : Sounds alarm and plays back messages
- 16. **Antenna** : Antenna
- 17. **Output Jack** : Connect the external siren
- 18. **Phone Jack** : Connect to phone set
- 19. **Line Jack** : Connect to Telephone line from wall
- 20. **DC Power Jack** : DC supply input

**Notice : The changes or modifications not expressly approved by the party responsible for compliance could void the user's authority to operate the equipment.**

**IMPORTANT NOTE: To comply with the FCC RF exposure compliance requirements, no change to the antenna or the device is permitted. Any change to the antenna or the device could result in the device exceeding the RF exposure requirements and void user's authority to operate the device.**

**This device complies with part 15 of the FCC Rules. Operation is subject to the following two conditions:**

- 1. This device may not cause harmful interference.**
- 2. This device must accept any interference received, including interference that may cause undesired operation.**



## Function for Installer – Factory Default Password :123456

1. Enter password to start the menu. LCD shown as below(Enter the password and do the function setting according to your need)

Code : \*\*\*\*\*

- Incorrect password entering will show “ Access Denied” and will emit beep sound warning.

Access Denied

- If 3 incorrect password are entered, keyboard disabled and locked (LCD shown as below). Try it again after one minute idle or use Remote Control Handset ( **DISARM** button) to disarm the system.

HOME SECURITY  
KEYBOARD LOCKED

- If 9 incorrect password are entered, (has 3 times keyboard locked, system disabled and locked, LCD shown as below). It will trigger alarm but won't dial out the phone number. you can use Remote Control Handset ( **DISARM** button) to disarm the system.

System Lock

2. If the password is correct (default 123456), It will have beep sound and LCD panel shown as below.

Access Granted  
Install Mode

SYS\_OPTS: 0-SYS\_OPTS  
1-SEQ 2-REPLAC 3-CLR

3. Select the Number setting

### 0-SET Function menu : Press 0 to start setting

Setting : 0 - T 1 2 3 4 5 6 - P  
7 - MSG 8 - DIAL 9 - CODE

- (1) **0-T** : For time setting (Default is 30 seconds.) minimum 1 second, maximum 255 seconds.

Press **0** button, will go to time setting (exit, alarm, entry) time

Setting : Time 1 - Exit  
2 - Alarm 3 - Entry

Press **[1]** button, setting delay time for exiting house. The default time is 30 Sec, you can set the time from 1 to 255 Sec. Press Enter button to finish the setting.

<b>Setting : Time</b> <b>1 – Exit : 30 Sec</b>
---

Press **[2]** button, setting alarm time for triggering alarm, The default time is 30 Sec, you can set the time from 1 to 255 Sec. Press Enter button to finish the setting.

<b>Setting : Time</b> <b>2 – Alarm : 30 Sec</b>
--

Press **[3]** button, setting delay time for entering house, The default time is 30 Sec, you can set the time from 1 to 255 Sec. Press Enter button to finish the setting.

<b>Setting : Time</b> <b>3 – Entry : 30 Sec</b>
--

**(2) 123456-P Numeric key** : To set telephone number ( can set 6 sets phone number and each number up to 20 digits)

EX. Press 1 Button, the LCD panel shown as below.

<b>Setting : Phone Num : 1</b> *****
---

- Setting **[1]** , **[2]** or **[3]** : For neighbors, relative friends and family members to notify in case of emergencies.
- Setting **[4]** : The first priority dial in case of Burglary. ( check police dept if acceptable or other people)
- Setting **[5]** : The first priority dial in case of Fire. ( check fire dept if acceptable or other people)
- Setting **[6]** : The first priority dial in case of Medical help. ( check hospital if acceptable or other people )

**(3) 7-MSG** : To set recorded message which contains 1 segment of message and maximum to 25 seconds. If the recorded message is less than 25 Sec, press **[ENTER]** to end the recorded message. When alarm is triggered, it will play recorded voice message.

Press **[7]** to start message recording (it will automatically count down from 25 Sec).

<b>Setting : Message Rec</b> <b>Sel Msg : 1 25 Sec</b>
---

When finished recording message, it will automatically playback recorded message one time and LCD panel shown as below.

<b>Setting : Message Play</b> <b>Sel Msg : 1 25 Sec</b>
--

(4) **8 – DIAL** : To set Dial mode. (default is 2-ALL to dial all telephone sets)

<b>Setting : Dialer Mode</b> <b>1 – Single 2 – All 2</b>
---

Press **1** for single attempt dial. ( if one of the telephone set is acceptable, it will stop to dial other's telephone set)

<b>Setting : Dialer Mode</b> <b>1 – Single 2 – All 1</b>
---

Press **2** for 3 cycles attempt dial.( it will be in turn to dial all the telephone set, when the phone number is dial out and has been picked, the picked number will stop to dial)

<b>Setting : Dialer Mode</b> <b>1 – Single 2 – All 2</b>
---

(5) **9 – CODE** : To make password change. (factory defaults, 1-Install :123456, 2- Master : 135246). If you want to change the password, key-in 6 digits and will automatically show "OK"( max set 6 digits), if the word if less than 6 digits, you can press **ENTER** after key-in the number and it will show "OK".

<b>Setting : Change Code</b> <b>1 – Install 2 – Master</b>
---

Press **1** and in the change Install code menu.

<b>Setting : Change Code</b> <b>1 – Install : 1 2 3 4 5 6</b>
--

Press **2** and in the change Master code menu.

<b>Setting : Change code</b> <b>2 – Master : 1 3 5 2 4 6</b>
---

**1- SEQ** : " Sequent" for code learning to set zone location . First of all, all the sensors need to be learned into main console and main console can receive the signal if the sensor is triggered. When sensor is learned into main console, main console will set the learning order for the sensor. This system allows

to set Zone numbers maximum to 63 addresses. It is recommend that you use a pen on the sensor back label to mark the sensor location, You can also replace or clear sensor for changing sensor.

In the system menu,

<b>SYS_OPTS: 0-SYS_OPTS</b> <b>1-SEQ 2-REPLAC 3-CLR</b>
--

Press **1** and into the sequential programming mode

<b>Sequential Pgming</b> <b>Trigger Sensor 01</b>
--

( 01 sensor learning order)

***The method for sensors learning:***

**1. PIR Motion Detector :**

First install Battery and push the Power Switch from OFF to C position. PIR sensor LED will light on for 1 Sec, it means that the sensor transmit 1 sec signal. Or you can move in the front of PIR, It will detect your movement and transmit 1 sec signal. The sensor will be learned into main console.

**2. Door / Window Detector :**

First to install Battery and let the magnetic switch from close to open, the led will light on for 1 Sec, The sensor will be learned into main console.

**3. Remote Control handset :**

First to install Battery and press **PANIC** button, the led will light on for 1 Sec, The sensor will be learned into main console.

**4. Panic Watch :**

First to install Battery and press **RED** button, the led will light on for 1 Sec, The sensor will be learned into main console.

**5. Smoke Detector :**

First to install Battery and press **S1** button, the led will light on for 1 Sec, The sensor will be learned into main console.

**6. Gas Detector :**

Plug the AC power and press the **TEST** button, the led will light on for 2 Sec, The sensor will be learned into main console.

7. When the sensor is learned into main console, It will show the message as below. At the time it will automatically switch to next sensor learning mode

<b>Sequential Pgming</b> <b>Sensor Added</b>
---

<b>Sequential Pgming</b> <b>Trigger Sensor 02</b>
--

8. If the sensor has been learned in main console. Main console will show the sensor has been learned in memory and not allow same sensor to learn into main console.

<b>Sensor Already</b> <b>Exists in System 02</b>
---

9. If sensors have learned and reach 63 zone numbers, LCD panel shows memory full message.

Sequential	Pgming
Mem Full	63

- NOTE** :1. Sensors belong to 24 hours included:  
Smoke Detector, Gas Detector, Panic Watch, Remote Control Handset(PANIC button)
2. Distinguish **A-AWAY** and **H-HOME** mode:  
When system is armed in **HOME** mode, Main Console will neglect the transmission signal from the PIR Detector.

**2-REPLAC** : To replace the sensor. (When sensor is faulty or needs replacement)  
To replace the original sensor, only need to key-in sensor learned order number. Finish the number key-in and press **ENTER** , system will ask for relearning the Sensor, you can trigger the sensor and learn the sensor into the main console.

**Note: Please use the same type sensor to replace the old one.**

Press **2** to go to replace sensor mode. LCD panel shows as below.

Replace Sensor
Enter Sensor Num :

Trigger Sensor To	
Replace	01

Once replace is finish, It will go back to upper menu.

SYS_OPTS: 0-SYS_OPTS
1-SEQ 2-REPLAC 3-CLR

**3-CLR** : Clear Sensors ( 1 - Single 2 – All )

Select 1- Single, you can key-in learned sensor order code and press **ENTER**.  
It will clear the sensor. If select 2- All, It will clear all learned sensors.

Press **3** and go into clear mode.

```
Clear Sensor
1 - Single    2 - All
```

Press **1** and key-in learned sensor order code then press **ENTER**,It will clear this sensor.

```
Clear Sensor
1 - Single    Num: xx
```

```
Clear Sensor
Clear OK     Num : xx
```

Press **2** , It will show the “Are you sure ? ”. press **ENTER** It will clear all learned sensors.

```
Clear Sensor
Are You Sure ?  Enter
```

```
Clear Sensor
Waiting .....
```

```
Clear Sensor
Clear All      OK
```

## Function for Master – Factory Default Password – 135246

1. To enter Master code – 135246, LCD display shown as below

00 HOME SECURITY  
Disarmed

Code : \*\*\*\*\*

- When the password is incorrect, It will introduce Beep ...Warning sound. LCD display shown as below.

Access Denied

- If the password is correct, It will introduce a long Beep sound. LCD display shown as below.

Access Granted  
Master Mode :

MASTER  
A-AWAY H-HOME

You can select the arm mode to set as below:

**A - AWAY** : Press  button to set “ Armed - Away “ alert, (Armed LED always lights on)

00 HOME SECURITY  
Armed AWAY

**H - HOME** : Press  button to set “ Armed - Home “ alert,( Armed LED always blinks)

00 HOME SECURITY  
Armed HOME

**NOTE:**1. Sensors belong to 24 hours included:  
Smoke Detector, Gas Detector , Panic Watch  
Remote Control Handset ( PANIC button).

2.Distinguish **A-AWAY** and **H-HOME** mode:

When system is armed in **HOME** mode, Main console will neglect the transmission

signal from the PIR Detector.

## Check Function

To press **CHECK** button to check the memory data you have installed previously without any password, but you can only review not allow to change the data in 'Check' Mode. Following with the menu structure as below.

<b>Check : 0 – T 1 2 3 4 5 6 – P</b> <b>7 – MSG 8 – DIAL</b>
---

**Check :**

- 0 – T** : To review (1- Exit) Exit time, (2-Alarm) Alarm time, (3- Entry) Entry time.
- 123456 – P** : To review phone number sets.
- 7 – MSG** : To review recorded message
- 8 – DIAL** : To review dial mode.

## Speed Dial Function

- Press and hold **SP DIAL** button and assigned button, Main console will automatically execute the autodial and alarm, if you want to cancel the autodial and alarm when they are activated, Please key-in Master password to cancel them or use Remote Control disarm button to stop it.
- SP DIAL** + **4** , the autodial order is: phone 4      phone 1      phone 2      phone 3  
(Intruder happened condition)
- SP DIAL** + **5** , the autodial order is: phone 5      phone 1      phone 2      phone 3  
(Fire happened condition)
- SP DIAL** + **6** , the autodial order is: phone 6      phone 1      phone 2      phone 3  
(Medical help happened condition)

## Arm or Disarm Via the Telephone Line (for Tone Mode)

This function allows you to dial your home telephone from outside to Arm or Disarm your security system. When hear a long 'Beep' sounds after 10 rings in the phone, then enter 'Master code'135246 (default) if the password is correct, it will respond a long Beep sounds in the phone then to respond the system status at this moment(if the password is less than 6 digits, need to use # button to finish the password entry). One 'Beep' sound means in 'Armed-Away', two 'Beep' sound means in 'Armed-Home' and three 'Beep' sound means in 'Disarm'. At this moment you can key-in (1, 2 or 3) . Main console will respond the relative message.

**Respond message as below:**

- Press **1** means in 'Armed-Away' and in the phone will hear one 'Beep' sound.
- Press **2** means in 'Armed-Home' and in the phone will hear two 'Beep' sound .
- Press **3** means in 'Disarm' and in the phone will hear three 'Beep' sound.

**If the system has been programmed in 'Armed-Away' or 'Armed-Home' status previously, you need to 'Disarm' it first to reset the status. If you do not disarm first, and press '1' or '2' directly, the system will emit 'bi-bi-bi' to reject your setting. So press '3' to disarm it.**



## Auto-dialer priority

This system stores up to six (6) telephone numbers in the Main Console. If it is triggered and alarm is activated, the auto-dialer will call the pre-set 4 sets telephone numbers and play your pre-recorded message.

### If system is triggered

**Burglary help** - It will automatically dial phone 4 phone 1 phone 2 phone 3  
call sequentially by 3 cycles attempt (4, 1, 2, 3). When telephone  
answered, it will playback message 2 times

**Fire help** - It will automatically dial phone 5 phone 1 phone 2 phone 3,  
call sequentially by 3 cycles attempt (5, 1, 2, 3). When telephone  
answered, it will playback message 2 times

**Medical help** - It will automatically dial phone 6 phone 1 phone 2 phone 3,  
call sequentially by 3 cycles attempt (6, 1, 2, 3). When telephone  
answered, it will playback message 2 times

## LCD "MSG" : Message indicating on LCD

This system will leave warning message on LCD panel while sensors opened or triggered or in low battery. It also emits 3 short 'Beep' at every 10 Sec. to remind you in the meantime, It can be stored first 5 messages and displayed on the LCD. If you want to check or delete the MSG, the system need to be in disarm mode. LCD display shown as below.

00 HOME SECURITY  
Disarmed MSG

Press **ENTER** button to read the message. Press **ENTER** again will read next message...etc.

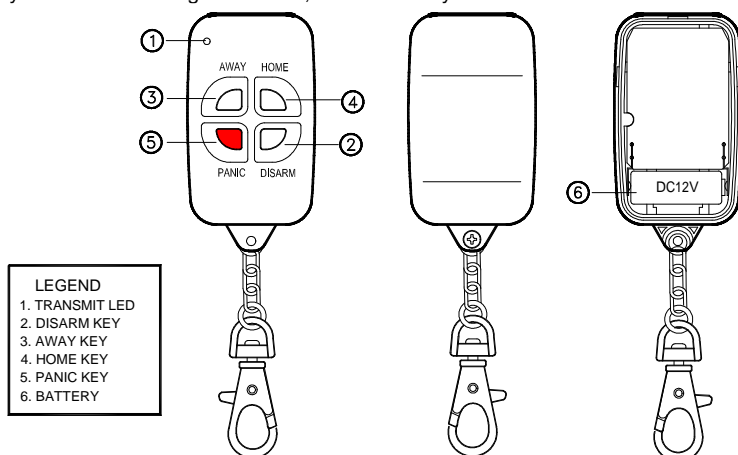
63 DOOR SENSOR  
01 Open

Press **CANCEL** button to delete all 'MSG'. It will show as below.

MESSAGE DELETED

## Remote Control Handset

The key chain Remote Control Handset is a convenient way to arm ( Home / Away mode) or disarm this system. Before using the sensor, it is necessary to learn into main console.



### LEGEND

1. TRANSMIT LED
2. DISARM KEY
3. AWAY KEY
4. HOME KEY
5. PANIC KEY
6. BATTERY

1. TRANSMIT LED : When press any button on panel, LED will light on
2. DISARM : Press this button to disarm the system or clear message
3. AWAY : Press this button to set the system in AWAY mode
4. HOME : Press this button to set the system in HOME mode
5. PANIC : Press this button will trigger the alarm and activate auto-dialing.
6. BATTERY COMPARTMENT : For 12V alkaline battery

## Zone Address Setting

Enter the Installer code and press '1' to start learning sensor into the system, to press **PANIC** button for 1 sec, the red LED also light on 1 sec. the main console emits a long 'Beep', LCD panel shows 'Sensor Added'. The sensor has been setting successfully.

## To Arm or Disarm with the Remote Control Handset

- When system is set in AWAY mode.

63 REMOTE SENSOR  
Armed AWAY

- When system is set in HOME mode.

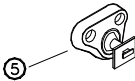
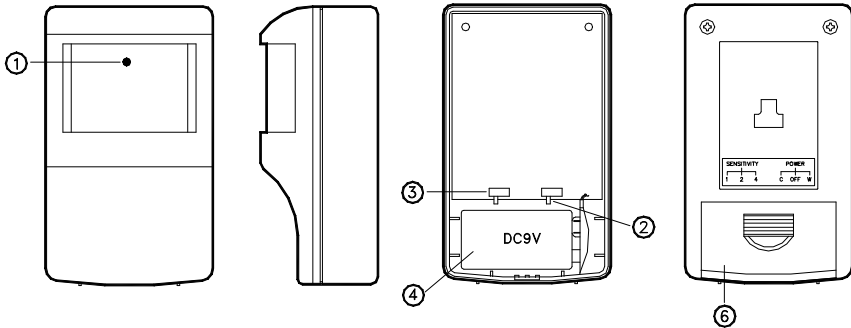
63 REMOTE SENSOR  
Armed HOME

- Press the **PANIC** button, immediately to trigger the alarm.

63 REMOTE SENSOR  
01 Panic

# P.I.R Motion Detector

The PIR Motion Detector is designed to detect the movement of object in rooms or hallway. The effective range of the motion sensor is 30 feet long, and with an 84 degree horizontal angle. Before using the sensor, the sensor needed to be learned into main console. If main console is armed in HOME mode. Even if PIR Triggered, the main console will neglect the PIR signal.



LEGEND	
1.	LED
2.	POWER SWITCH C\OFF\W
3.	DETECTING SENSITIVITY SWITCH
4.	BATTERY
5.	ROCKER ARM & HOLDER
6.	BATTERY COVER

## Main Features :

1. LED : When PIR has detected any moving of human. The red LED will blink for one sec. It means to transmit out a signal to Main Console. When the battery power is down to low level, It will send out a low voltage signal.  
The red LED will blink for one sec. If Main Console receives the signal, will leave some message on the display.
2. C/OFF/W SWITCH :
  - When the switch is set on “C – Continue” position, the PIR continually detects at interval every 3 to 5 seconds after detecting the movement of human (dog ,cat).It is an idea for checking
  - When the switch is set on “ OFF” position, It will turn off the power, the PIR does not detect at all.
  - When the switch is set on “W- Wait” position, the PIR detects at every 2 minutes to 3 minutes after detecting the movement of human ( dog, cat). “ W ” position set mode will save the power.
3. DETECTING SENSITIVITY : ( 1 , 2 , 4) select the sensor to high , medium or low sensitivity.
4. BATTERY : Remove the Battery cover and insert one 9V alkaline battery.
5. ARM & HOLDER : For mounting on the wall.
6. BATTERY COVER

## Replace the Battery

- When the sensor send the low battery voltage signal to main console. Please replace a new battery for the sensor. In the main console, the LCD display shown the message as below

63 PIR SENSOR 01 Low battery
---------------------------------

## Zone Address Setting

Enter the Installer password and the main console is in learning mode, after installing the battery on the PIR. Set the power switch from “ OFF ” to “ C ” position. In the PIR panel, The red LED will blink for 1 sec, It means to transmit out a signal for 1 sec or to activate PIR sensor by detecting people pass by, then the Main Console emits one ‘Beep’ and LCD displays ‘Sensor Added’, it means the PIR has learned into the system successfully.

When main console is in armed mode, If PIR detects the movement of human or animals (cat, dog), it will leave message on the LCD display as below.

63 PIR SENSOR 01 Zone
--------------------------

## Notes on the Position when Install

Motion sensors detect the movement of humans and animals within their range. In order to prevent false alarms, we recommend that you do not install any motion sensor in the following areas:

### Do not install any motion sensor in the following areas:

- Where there is a device that causes rapid temperature change or rapid heat transfer. for instance, near an air conditioner, fire place, heater or other intermittent heat sources.
- Where the sensor will be exposed to direct sunlight.
- Near large electrical devices and/or high output radio frequency sources, like the refrigerator, microwaves computers, and light dimmers.
- Where the effective range of the sensor is covered or blocked by furniture.
- Where pets enter and exit freely, for instance - a cat or dog door.
- Directly opposite any large object with flat reflecting properties, like large windows or mirrors.
- In a bathroom or other area that is exposed to moisture and extreme temperature change.

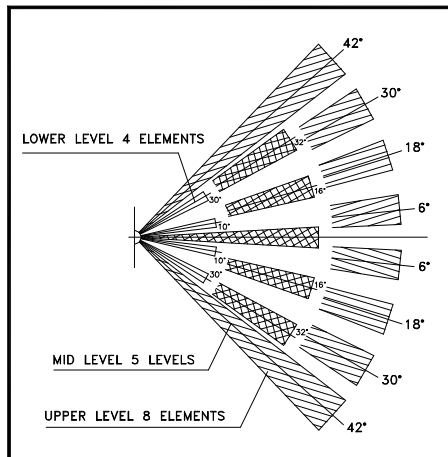
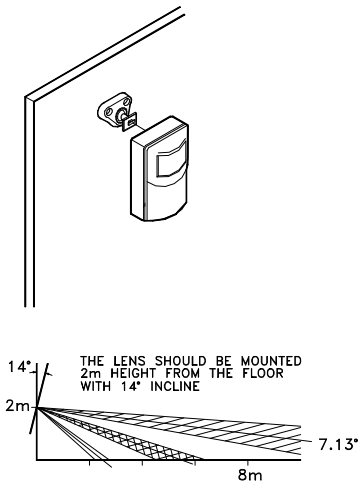
## Installing the Motion Sensor

Before installing the sensor, consider the following points:

- Mount the sensor at two meters (6-1/2') high for best coverage.
- Mount the sensor with a 14 degree downward incline against the wall for optimum range.

To install the Motion Sensor, please follow these steps:

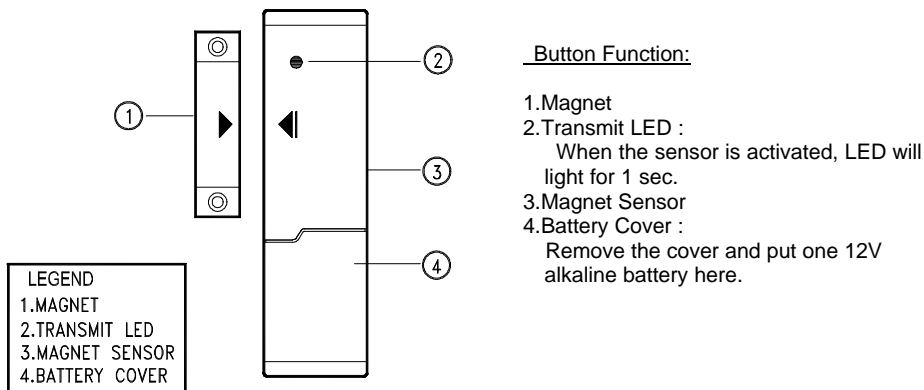
- Take out the screws or double sided adhesive and install the mounting bracket on the wall. Press the ball joint portion into the bracket until it snaps securely. (To secure the mounting bracket to the wall at 2 meters above the floor).
- Put the PIR on the mounting bracket.
- Test the sensor by walking within its range. When the sensor is triggered, the red LED light will flash once for 1 sec..



## Door/Window Detector

The magnetic Door/Window detector is a contact sensor applied on door or window. When the magnetic contact is opened (broken) or the battery is in low level, the sensor will send out the signal to main console. The message of the triggered sensor can be read from the Main Console's LCD display.

### Door/Window Detector (for DC 12V battery)



### Button function

1. Magnet.
2. Magnetic Switch
3. Transmit LED : When the sensor is activated, LED will light for 1 sec.
4. Magnet sensor
5. Battery Cover : Remove the cover then put one 12V alkaline battery here.

Note: Magnet and magnet switch needed to be placed on parallel position (triangle arrow) to ensure the better setting.

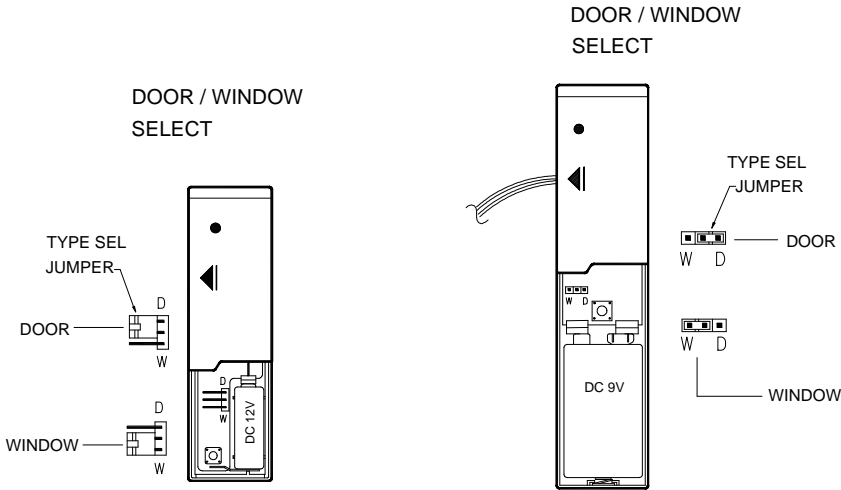
## Change the Battery

When the sensor sends the low battery signal to main console, please replace a new Battery for the sensor, in the meantime the LCD display shown the low battery message as below.

63 WINDOW SENSOR  
01 Low battery

## Zone address setting

You can set the sensor as “ Door “ or “ Window “ detector by using the jumper selector and follow the marked. Ex. You want to set the sensor as Door sensor, put the Jumper on marked “D” side. (If set Jumper on marked “W” side, the sensor becomes as Window sensor).



## Notes on the Door/Window Detector

1. The LED on the sensor will flash once when the sensor is triggered.
2. There cannot be a gap greater than 1/4 inch (5 mm) between the magnet sensor and the magnet, otherwise, the sensor will not work properly.

Enter the installer password and let main console in learning mode. take magnet away from magnet sensor, it will trigger the sensor and LED will light on for 1 sec. the Main Console emits one 'Beep' and LCD displays 'Sensor Added', it means sensor has learned into the system successfully.

## LCD display on the Main Console for Door/Window Detector

When system is in armed mode. (message shown on main console)

- Window opened

```

63 WINDOW SENSOR
01 Open
    
```

- Door opened

```

63 DOOR SENSOR
01 Open
    
```

When system is in disarm mode. (message shown on main console)

- Window closed

```

63 WINDOW SENSOR
01 Close
    
```

- Window battery cover opened

- Door battery cover opened

**63 WINDOW SENSOR**  
**01 Tamper**

**63 DOOR SENSOR**  
**01 Tamper**

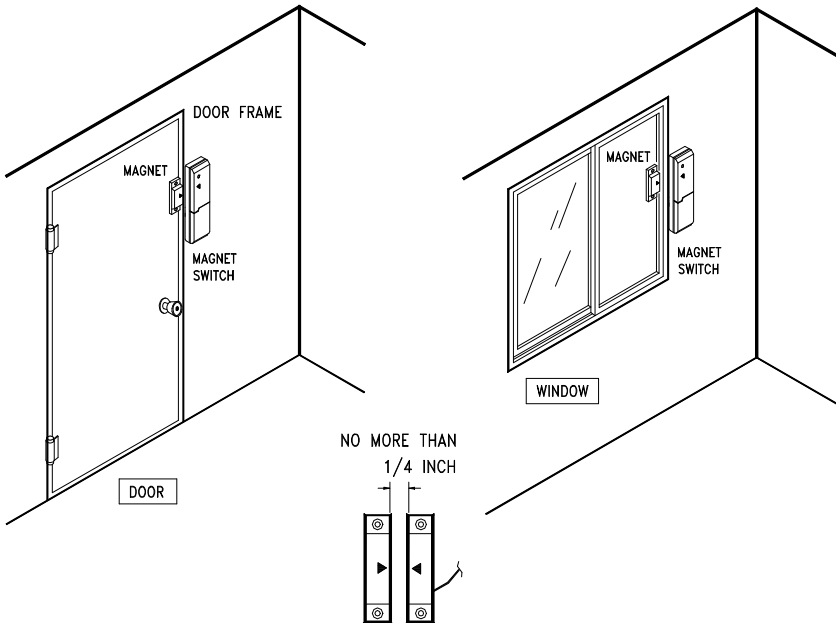
**Installing the Door/Window Detector**

**Installing for( DC 12V Detector):**

To install a Door/Window Detector, follow these steps:

1. Before installing the sensor, ensure the sensor has learned in main console successfully
2. Apply double aided adhesive tape to the back of the sensor.
3. Find the arrow embossed on the sensor, just below the LED light. Find a similar arrow on the magnet. Before exposing the adhesive backing, align the two arrows on the surface where you want them installed. Check that both parts of the device fit and that they can be mounted with a gap less than 1/4 inch between them.( refer to below picture).
4. When finished the above procedure, please reconfirm the setting is correct or not, in main console, Press the CHECK button then open the window. The main console will receive the sensor signal and leave some messages on LCD display.

**INSTALLING POSITION REFERENCE FOR DOOR/WINDOW DETECTOR**

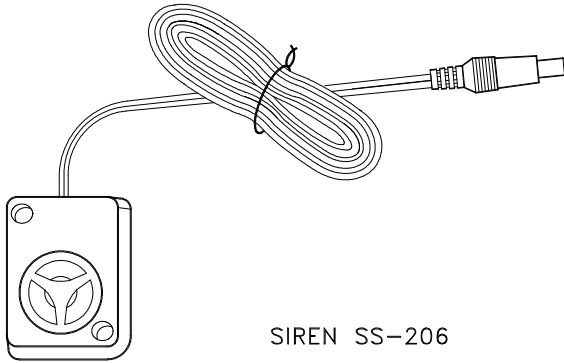




## Mini Siren

The mini siren is an optional accessory but suggested to be a part of standard package. The siren is an effective deterrent to intruders. To choose a location inside your home where the siren will not be plainly visible but can be heard throughout the house. Also, it is important to install the siren where the cable can be hidden, and discreetly out of reach of potential intruders (or anyone likely to tamper with the system.)

When the siren is installed and the system is set to Arm, it will emit a piercing 110 decibel siren, once a sensor/detector activates the alarm.



1. Plug the wire into the control panel OUTPUT JACK
2. Cord length – 8 meters.
3. Loudness output – 110 db.
4. Dimensions – 3.7 x 4.5 x 2 (cm)
5. Weight – 120g (including the cord)

## Summary of Main Console programmed

Use the following form to record your programming choices for future reference.

Item	Descriptions			
Install Code				
Master Code				
Exit Time				
Alarm Time				
Entry Time				
Auto-dialing Mode				
Sensor No. of Learning				
Preset Telephone No. for Auto-dialing :				
No. 1	Name		Tel. No.	
No. 2	Name		Tel. No.	
No. 3	Name		Tel. No.	
No. 4 (Burglary Emergency)	Name		Tel. No.	
No. 5 (Fire Emergency)	Name		Tel. No.	
No. 6 (Help Emergency)	Name		Tel. No.	

## Specifications of Security System

Items	Specifications
Frequency	- 303Mhz or 433Mhz
Power Source	- AC120V, DC 12V or AC 230V DC12V
Power Consumption	- 70mA (idle), 170mA (activated)
Back-up Battery (Optional)	- Approximate 7 hours ( NO AC adaptor)
Temperature Range	- 0°C    40°C
RF Range	- 150 feet in open air space
Security Code	- Hopping code
Alarm Activation Time	- 1    255 seconds (available alarm time setting)
Dialing Type	- Tone
Voice Message Playing Time	-Total 25 seconds
Preset Telephone Numbers	- 6 phone numbers, 20 digits for each number
Material	- ABS
Weight	- 650 g
Dimensions	- 26 cm X 17 cm X 3.5 cm