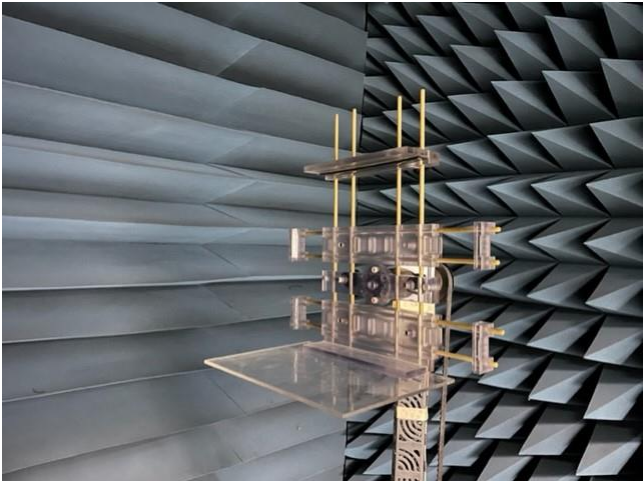
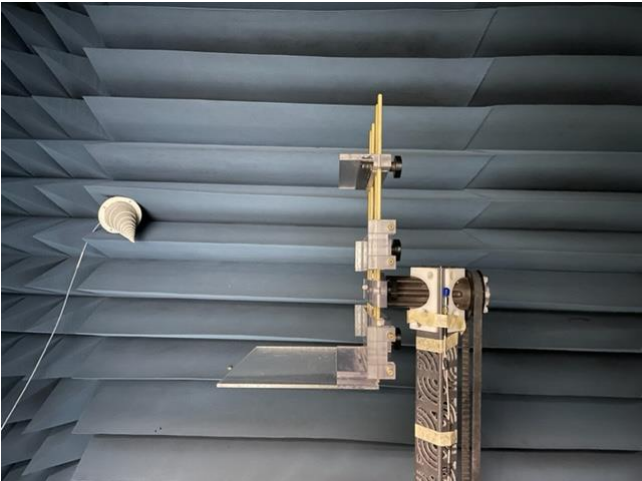


**3. Setup photo**



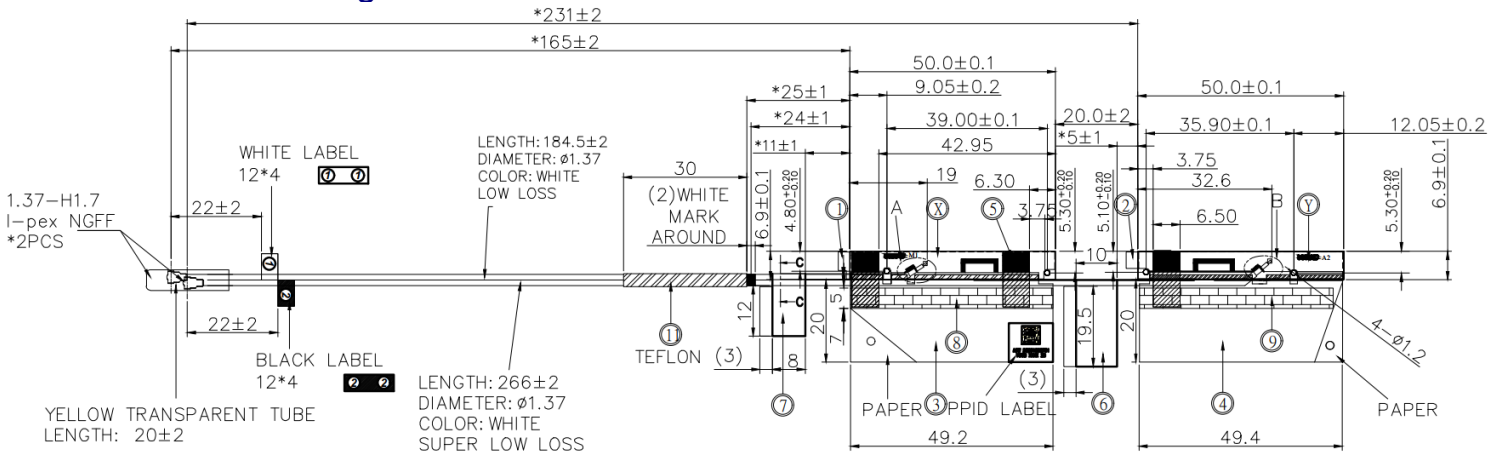
# Antenna Manufacturer Information

**WNC**  
20 Park Avenue II, Hsinchu Science Park, Hsinchu 308, Taiwan, R.O.C.  
TEL: +886 3 6667799 www.wnc.com.tw

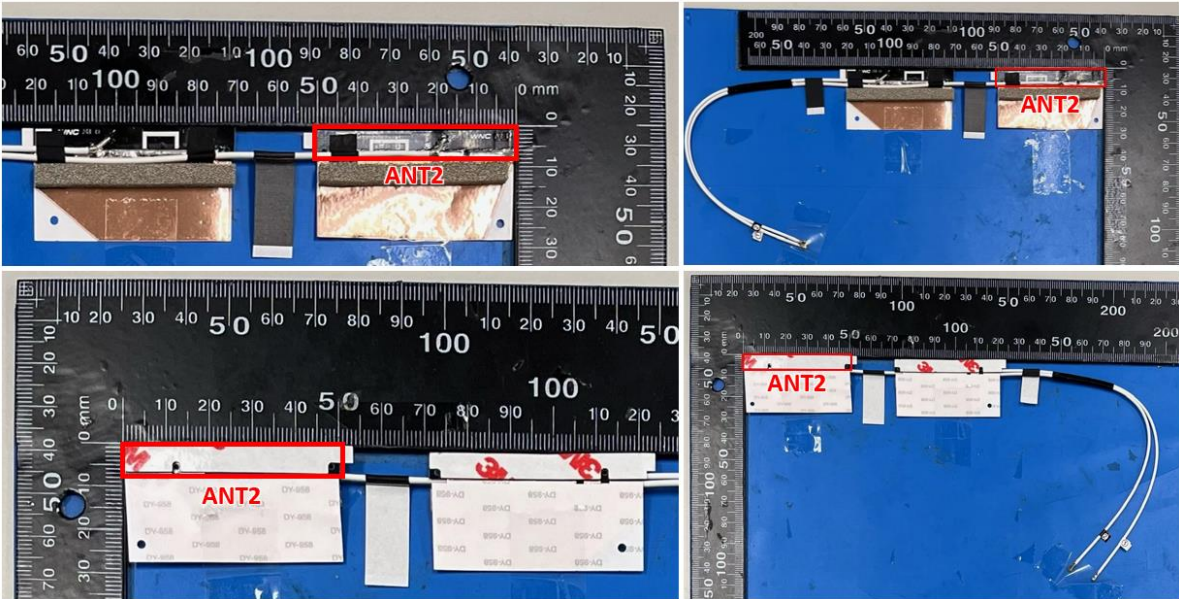
## Section 2. Dimensioned Photos and Drawings of Antennas

Include the dimensioned photo and drawing of Main antenna here.

### Main Antenna Drawing:



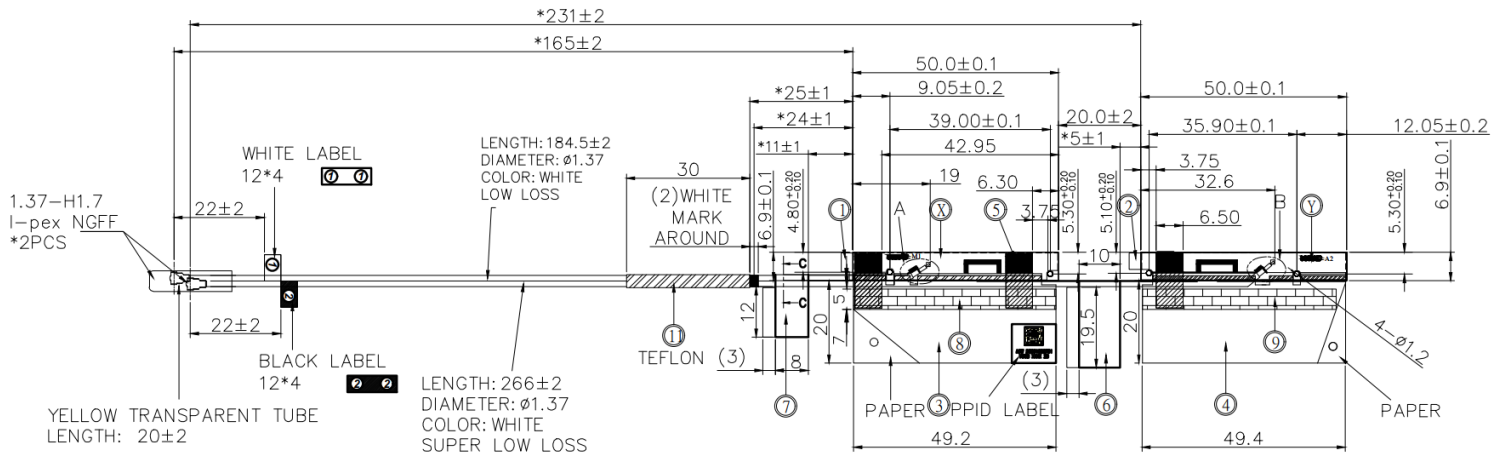
### Main Antenna Photo (Front/Back):



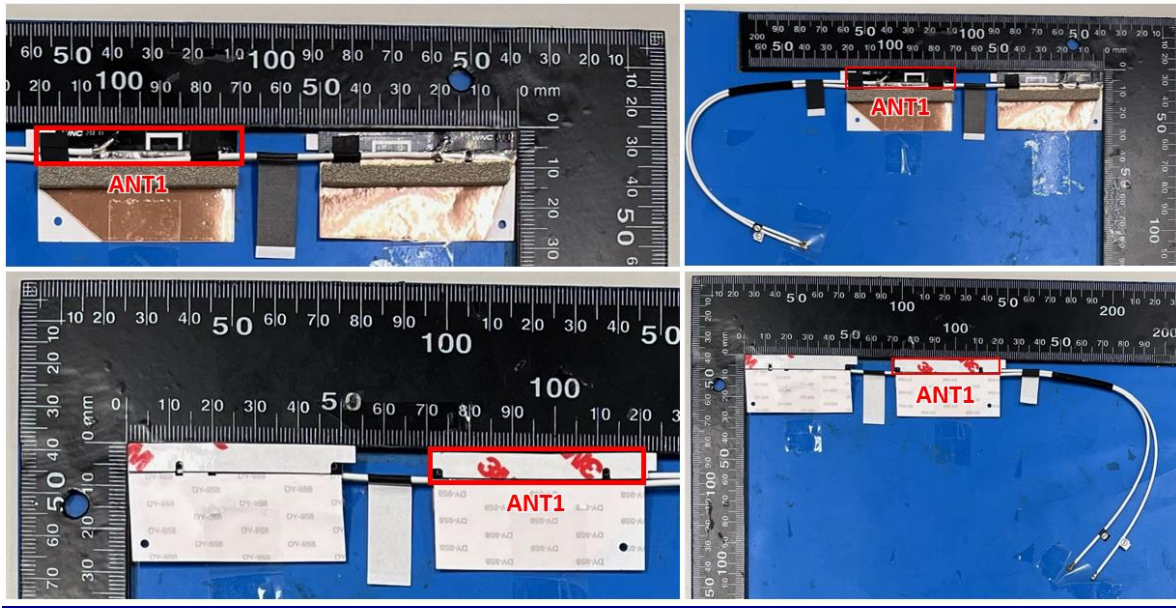
Note: antenna photo should include L type ruler

Include the dimensioned photo and drawing of Aux antenna here.

Aux Antenna Drawing:



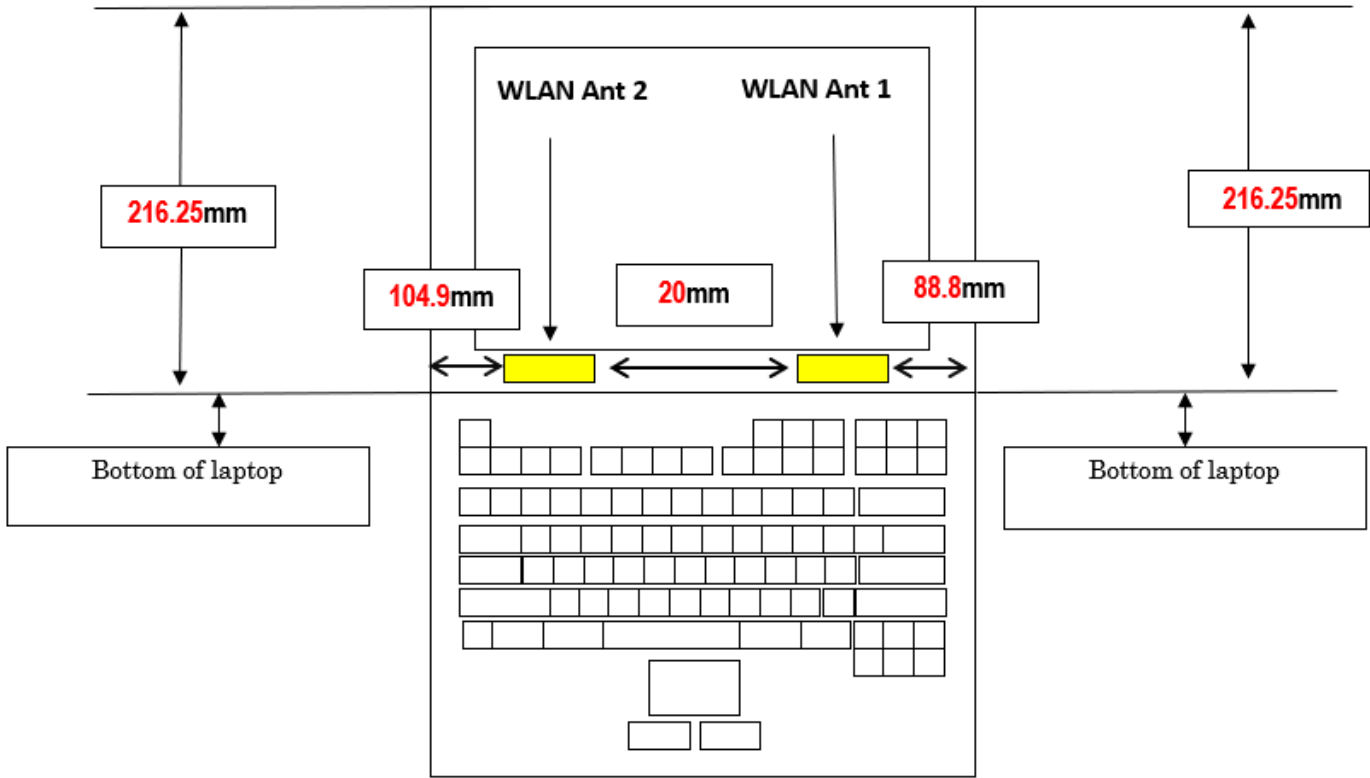
Aux Antenna Photo (Front/Back):



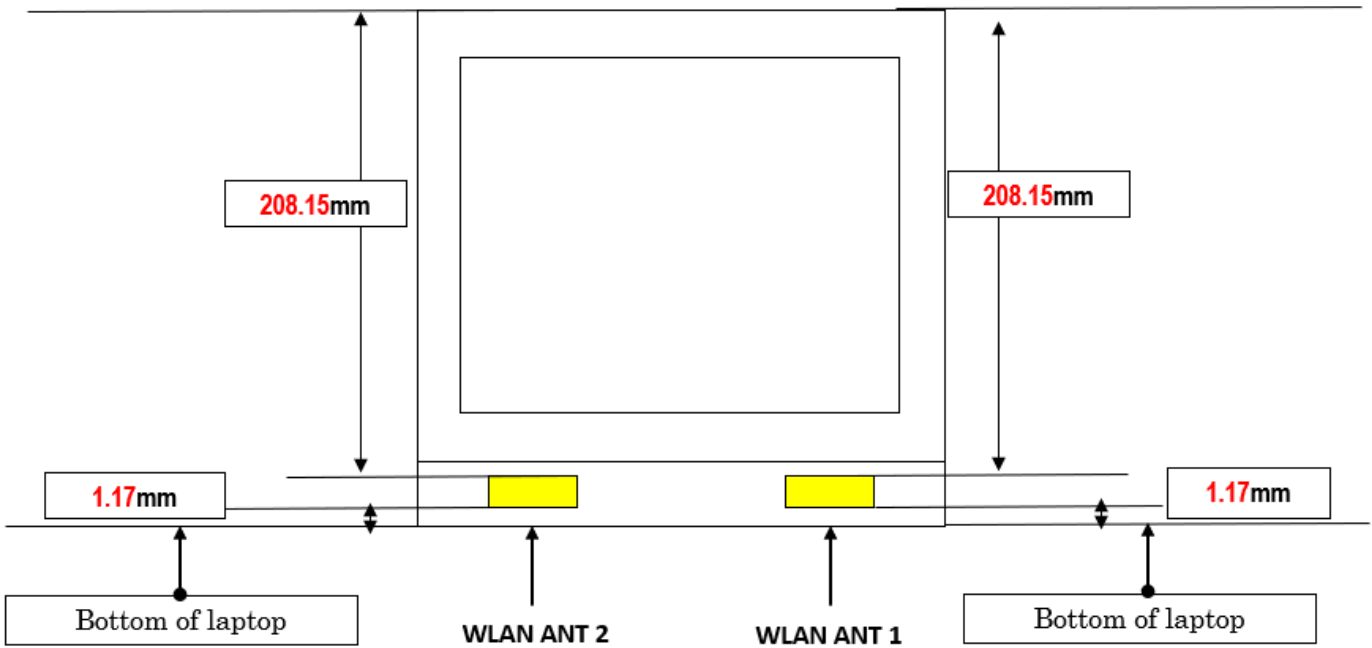
Note: antenna photo should include L type ruler

## Section 4. Antenna Host Platform Location Information

### Clamshell mode

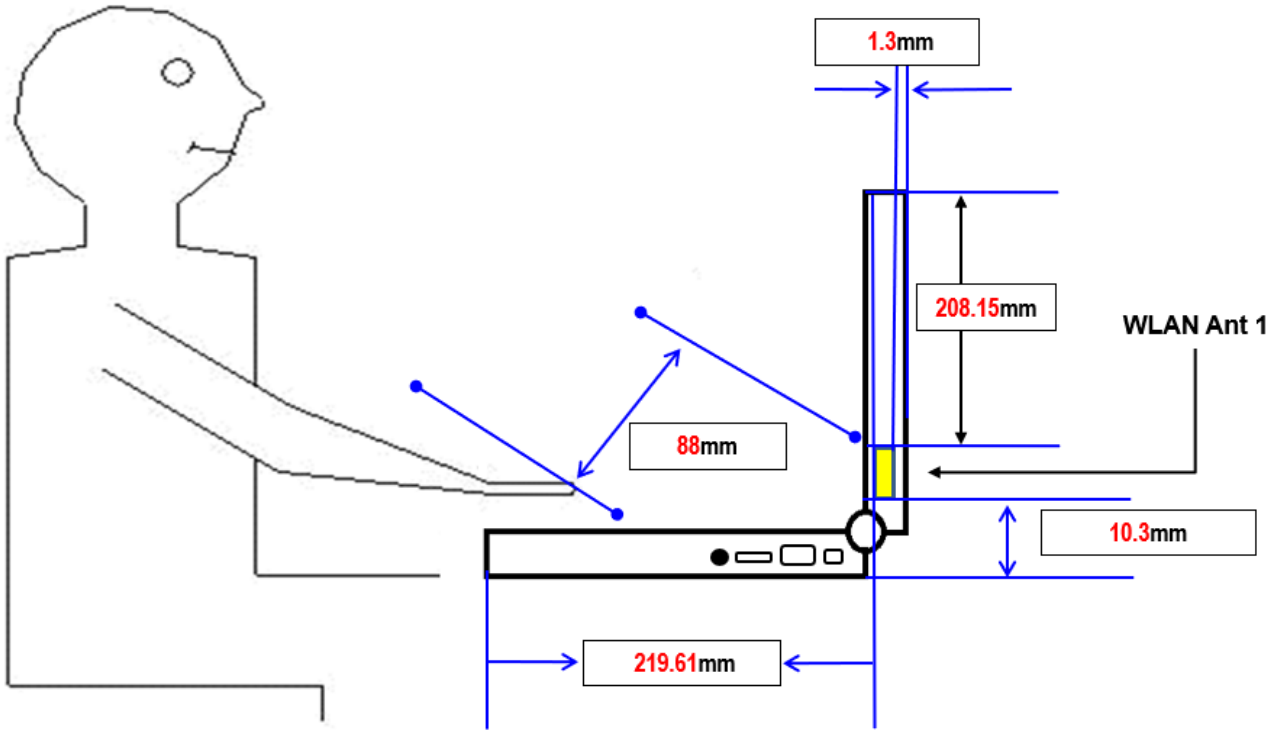


### Tablet mode

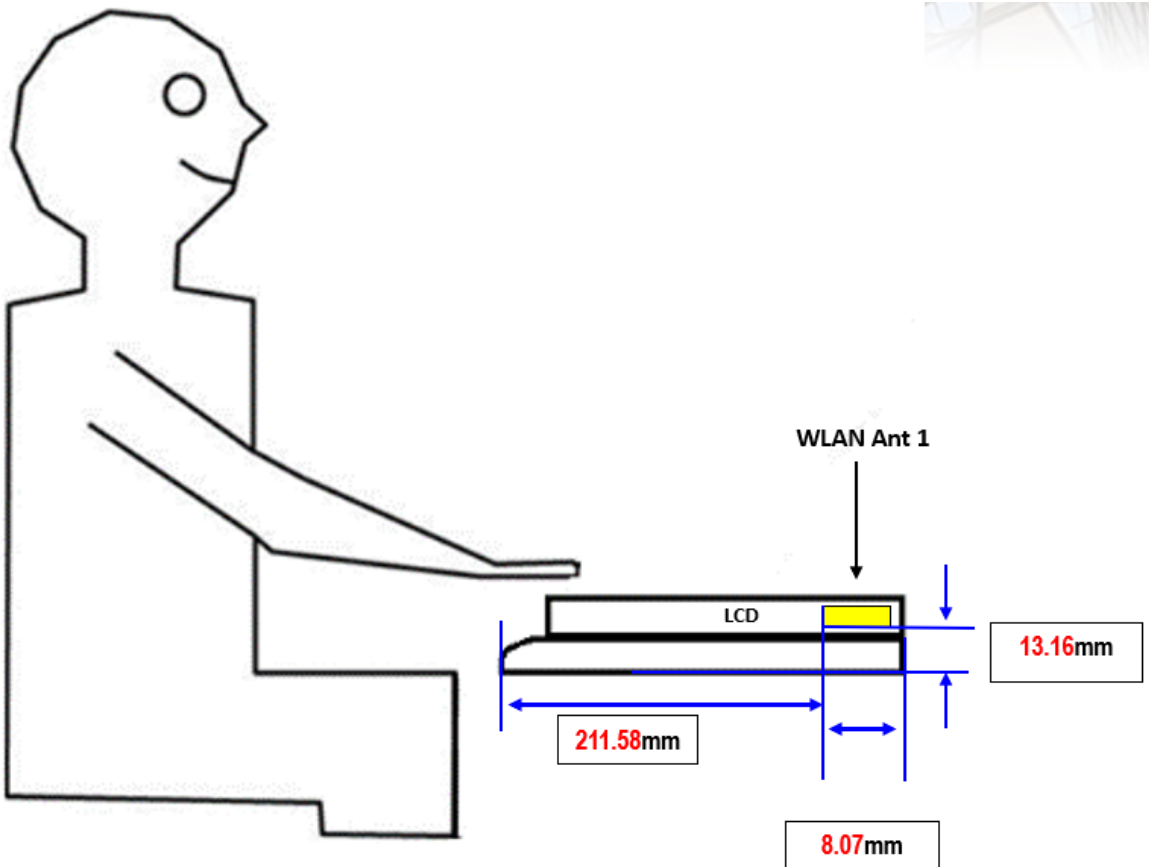


## Section 5. Antenna dimensional information for SAR evaluation

### Clamshell mode

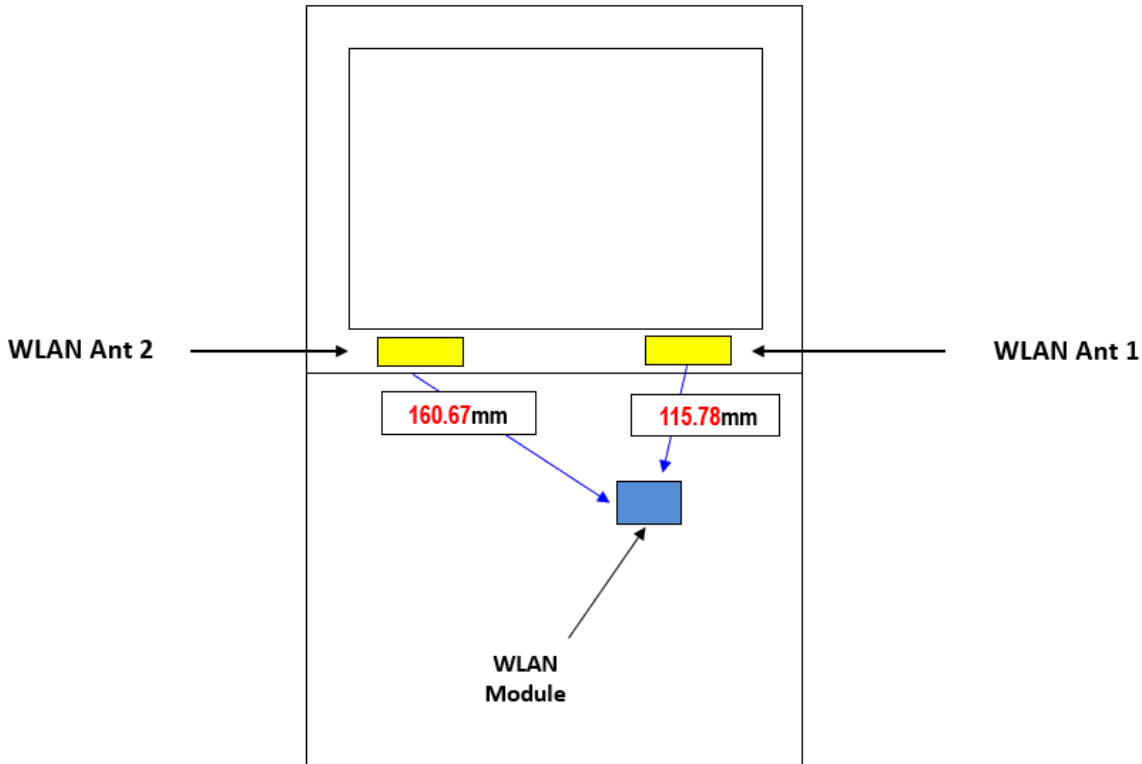


### Tablet mode



## Section 6. Diagram Example of Co-Location Antenna Separation

### Clamshell mode



### Tablet mode

