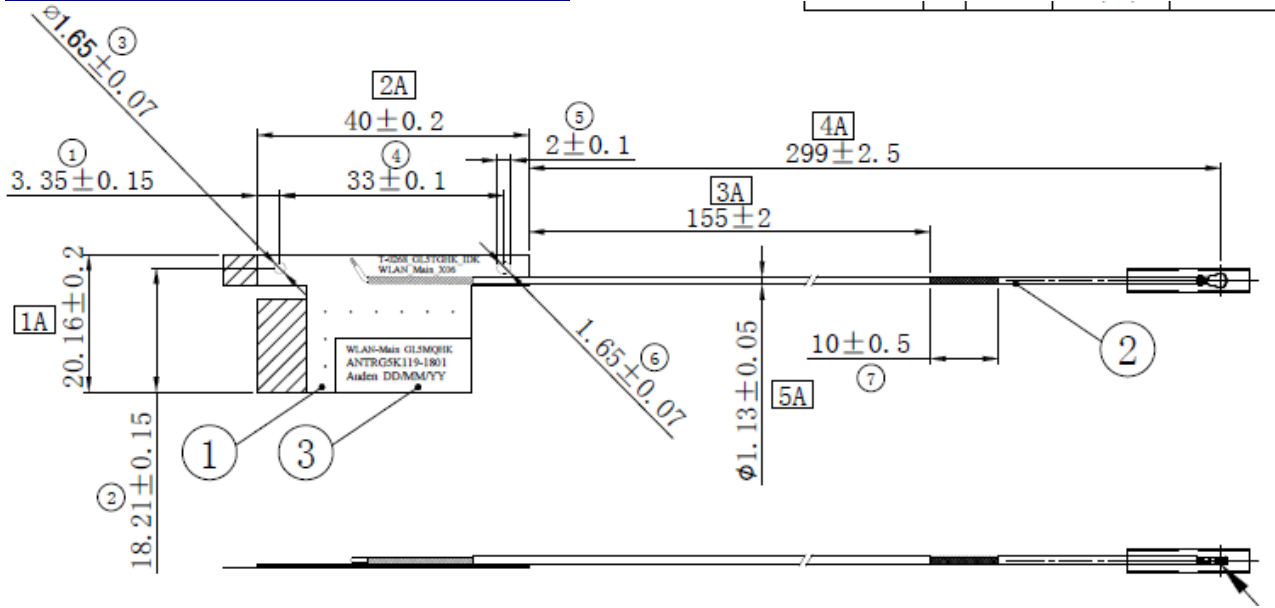


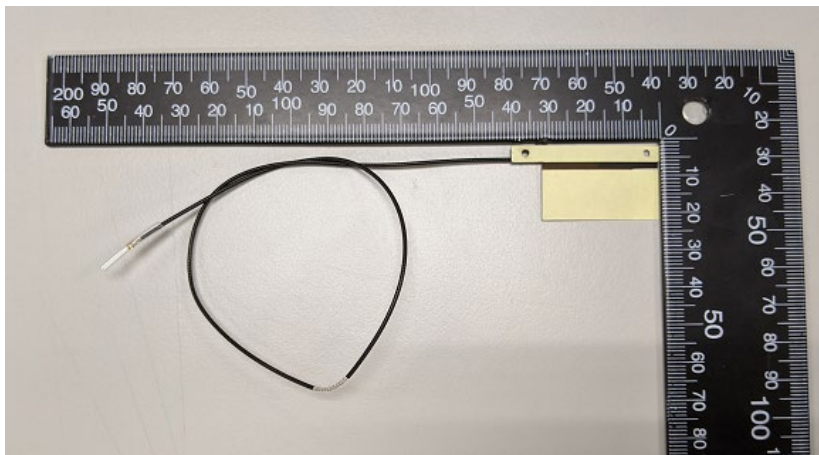
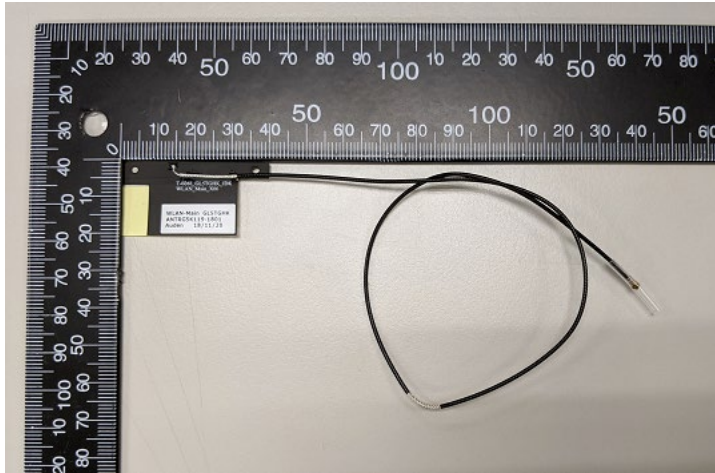
## Section 2. Dimensioned Photos or Drawings of Antennas

Include a dimensioned photo and dimensioned drawing of Main antenna here.

### Main Antenna Dimensioned Drawing:

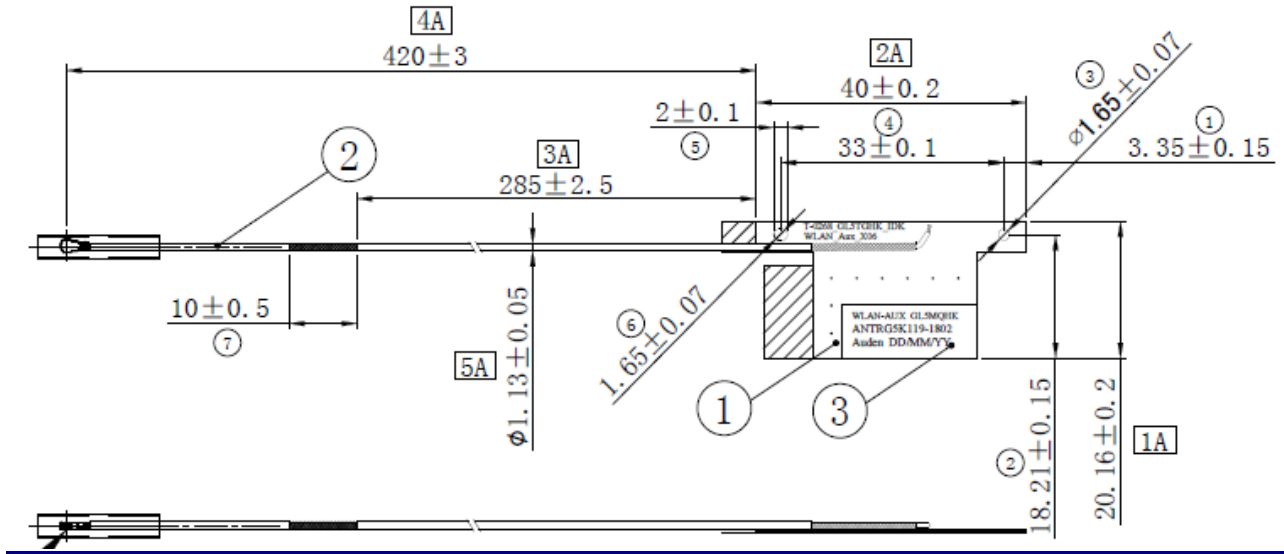


### Main Antenna Photo:



Include a dimensioned photo and dimensioned drawing of Aux antenna here.

**Aux Antenna Dimensioned Drawing:**



**Aux Antenna Photo:**

