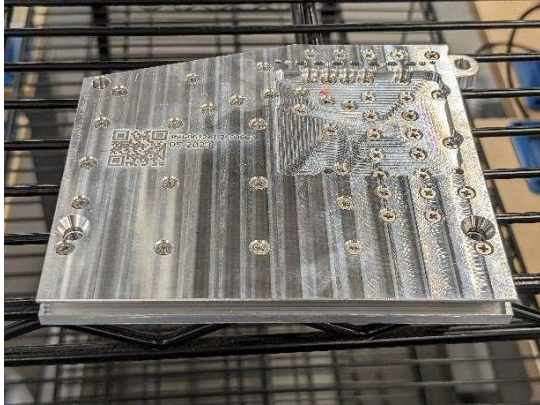


WAVETRONIX

MX30 Datasheet

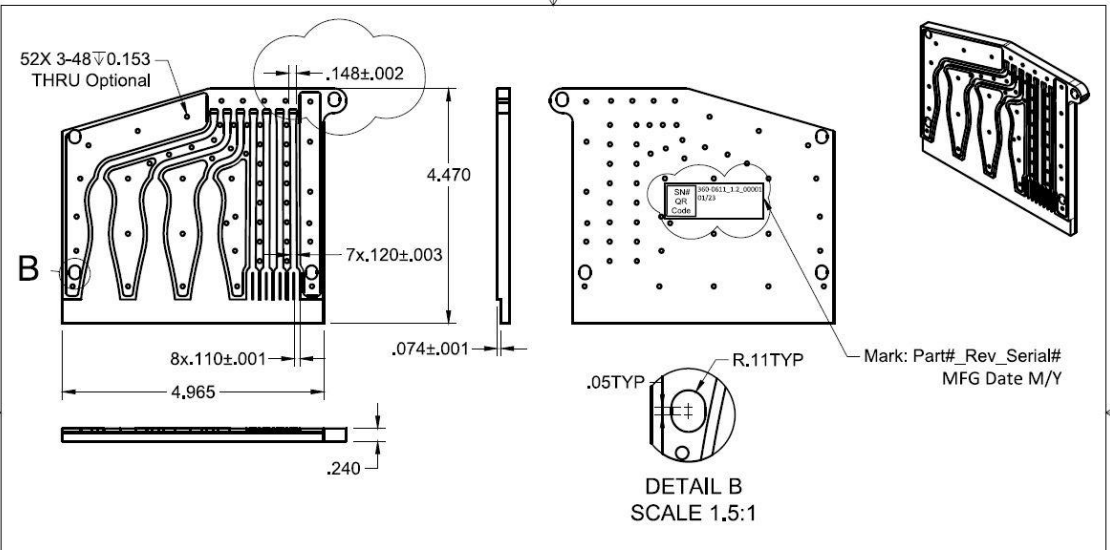


Electrical Specifications:

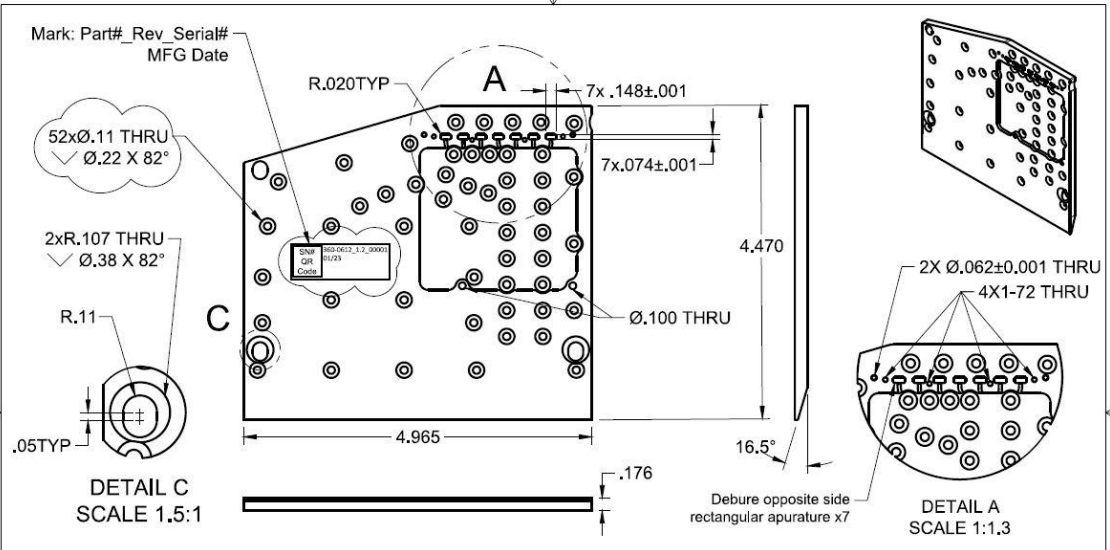
Frequency Range:	61.0 – 61.5 GHz
Nominal TX Gain:	13 dB Azimuth
HPBW:	15.7 deg
Elevation HPBW:	47.7 deg

Mechanical Specifications:

Length:	4.47 inch
Width:	5.40 inch
Thickness:	0.42 inch
Weight:	12.0 oz



Material: 6061 Aluminum Finish: NA	Wavetronix	PROJECT XP21		
	Tolerances Unless Otherwise Specified Dimensions are in inches .x=±0.1 .xx=±0.01 .xxx=±0.005 Angular=±0.5°	TITLE MX30 Waveguide Channel Side (Top)		
The information contained in this drawing is the sole property of Wavetronix LLC. Any reproduction in part or as a whole without the written consent of Wavetronix LLC is prohibited.	APPROVED	SIZE	CODE	DWG NO
	CHECKED	A		360-0611
	DRAWN Sam Baird 3/29/2022	SCALE 1:2	WEIGHT 0.45lbs	SHEET 2/3
				REV 1.3



Material: 6061 Aluminum Finish: NA	Wavetronix	PROJECT XP21		
	Tolerances Unless Otherwise Specified Dimensions are in inches .x=±0.1 .xx=±0.01 .xxx=±0.005 Angular=±0.5°	TITLE MX30 Waveguide Board Side (Bottom)		
The information contained in this drawing is the sole property of Wavetronix LLC. Any reproduction in part or as a whole without the written consent of Wavetronix LLC is prohibited.	APPROVED	SIZE	CODE	DWG NO
	CHECKED	A		360-0612
	DRAWN Sam Baird 8/01/2022	SCALE 1:1	WEIGHT 0.3lbs	SHEET 1/3
				REV 1.3

Antenna Range Data Sheet

Company Name: Wavetronix LLC

AUT Description: SISO/MIMO 5 individual radar antennas in one case/sensor with synchronous timing of the 5 Radars. The Plots provided are Waveguides for each Antenna Transmission with Measured Power and Angle graphed in both Linear and Polar 2D Plots.

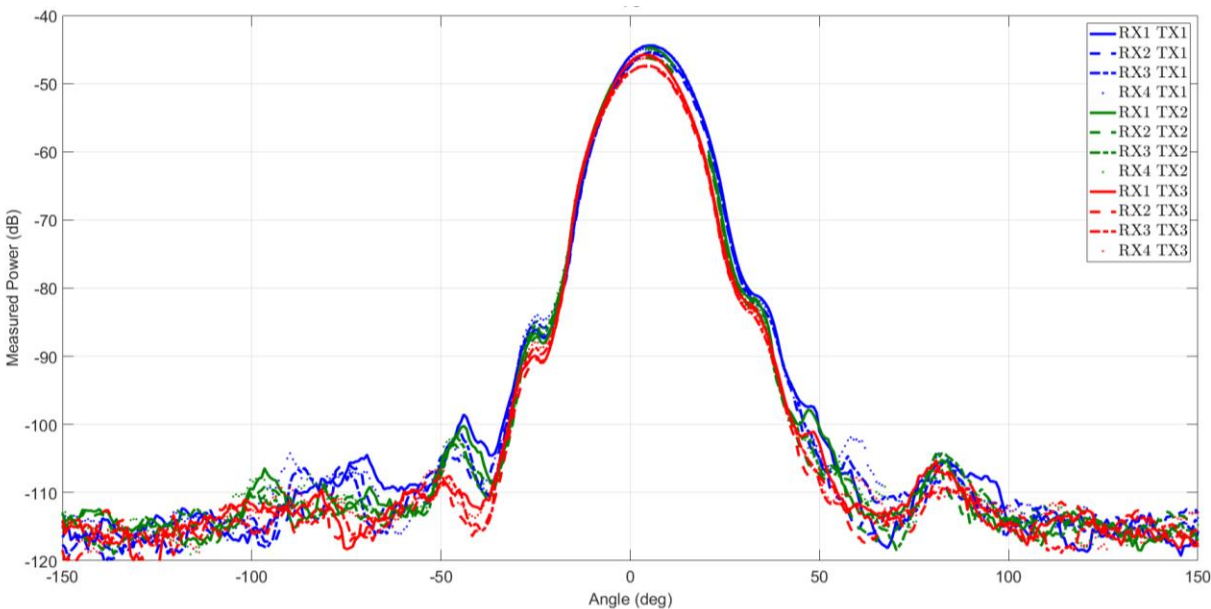
AUT Serial Number: 101-0479-00138

Date: October 5th, 2023

Frequency: 60-61.5 GHz

Polarization: Right Hand Circular

Elevation Angles per Frequency: 0°

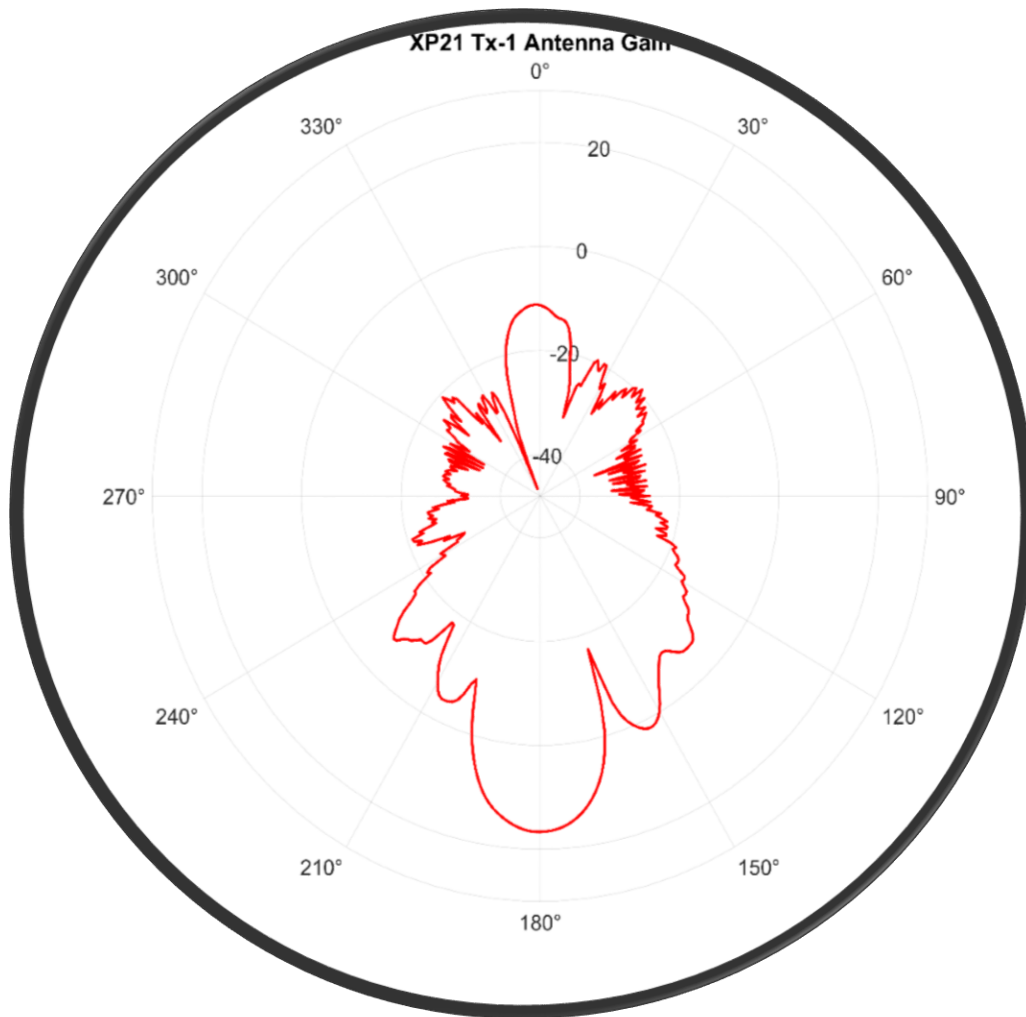


Wavetronix completed the review of the XP21 (part Number 101-0479) serial number 00138 on October 5th 2023. The measurements listed were accomplished at the Wavetronix Manufacturing Line Anechoic Chambers utilizing Rohde and Schwarz FSW85 Signal Analyzer 85GHz (calibration certificate Number 20-902452-C) Serial Number 101624. Calibration on the FSW85 was last accomplished: 2023-3-3

Calculations and Measurements were accomplished by RF Engineers David Cater and Joesph Collier.
Consultation by : James Eck (Sr. RF Engineer)
Data Sheet Prepared By : Christopher Uchman (Compliance Officer)

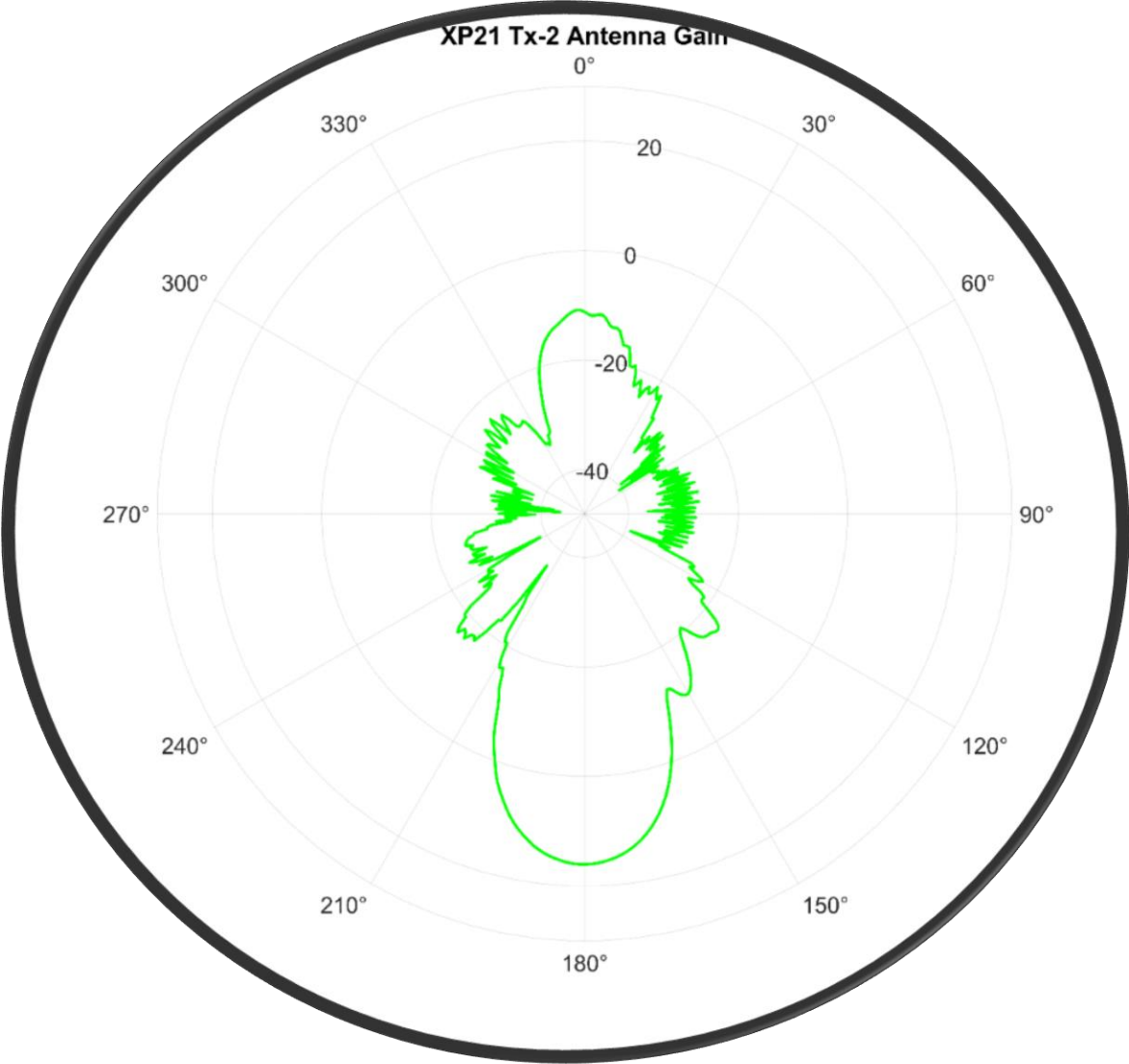
Figures: The Average Gain Levels in (dB), the minimum and maximum gains as a function of frequency and Elevation angles (0°) over 360° Azimuth

Figure 1



Min Gain: -46.49 dB
Max Gain: 16.63 dB
Std Gain: 13.0 dB
Avg. Gain: -17.68 dB

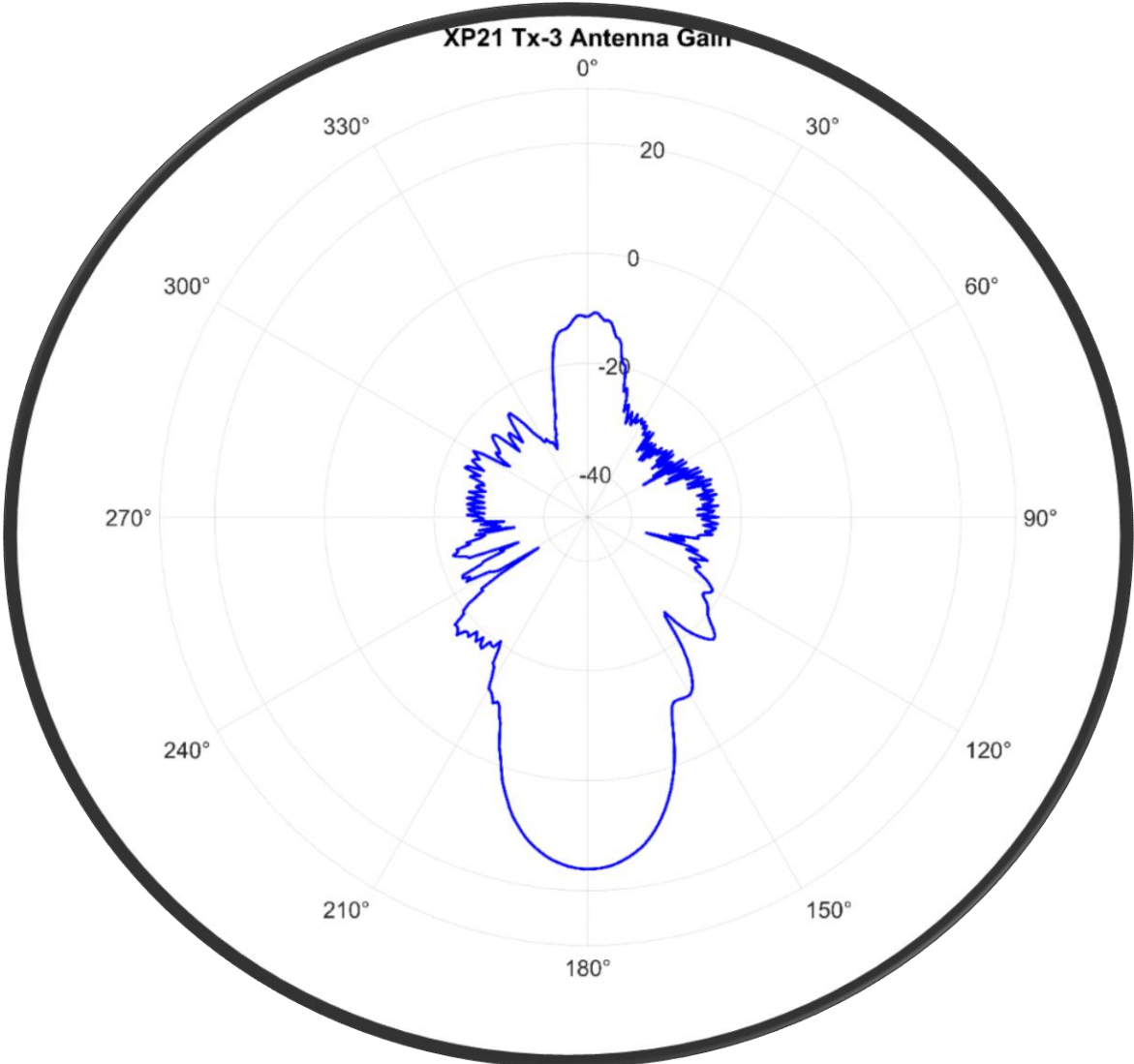
Figure 2



Min Gain: -43.55 dB
Max Gain: 16.03 dB
Std Gain: 13.0 dB
Avg. Gain: -21.04 dB



Figure 3



Min Gain: -37.43 dB
Max Gain: 16.03 dB
Std Gain: 13.0 dB
Avg. Gain: -20.18 dB



The above information contains trade secrets and proprietary information not customarily released to the public. The public disclosure of this information might be harmful to the applicant and provide unjustified benefits to its competitors. The Applicant understands that pursuant to Rule [0.457\(d\)\(1\)\(ii\)](#), disclosure of this Application and all accompanying materials will not be made before the date of the Grant for this Application.

Signed: *Christopher H Uchman Jr.*

Printed name: Christopher H Uchman Jr.

Title: Compliance Officer

Phone: 1(801) 655-6561

Company: Wavetronix, LLC

Address: 1827 W South Park Street, Springville, UT 84663

Date: 10/10/2023
