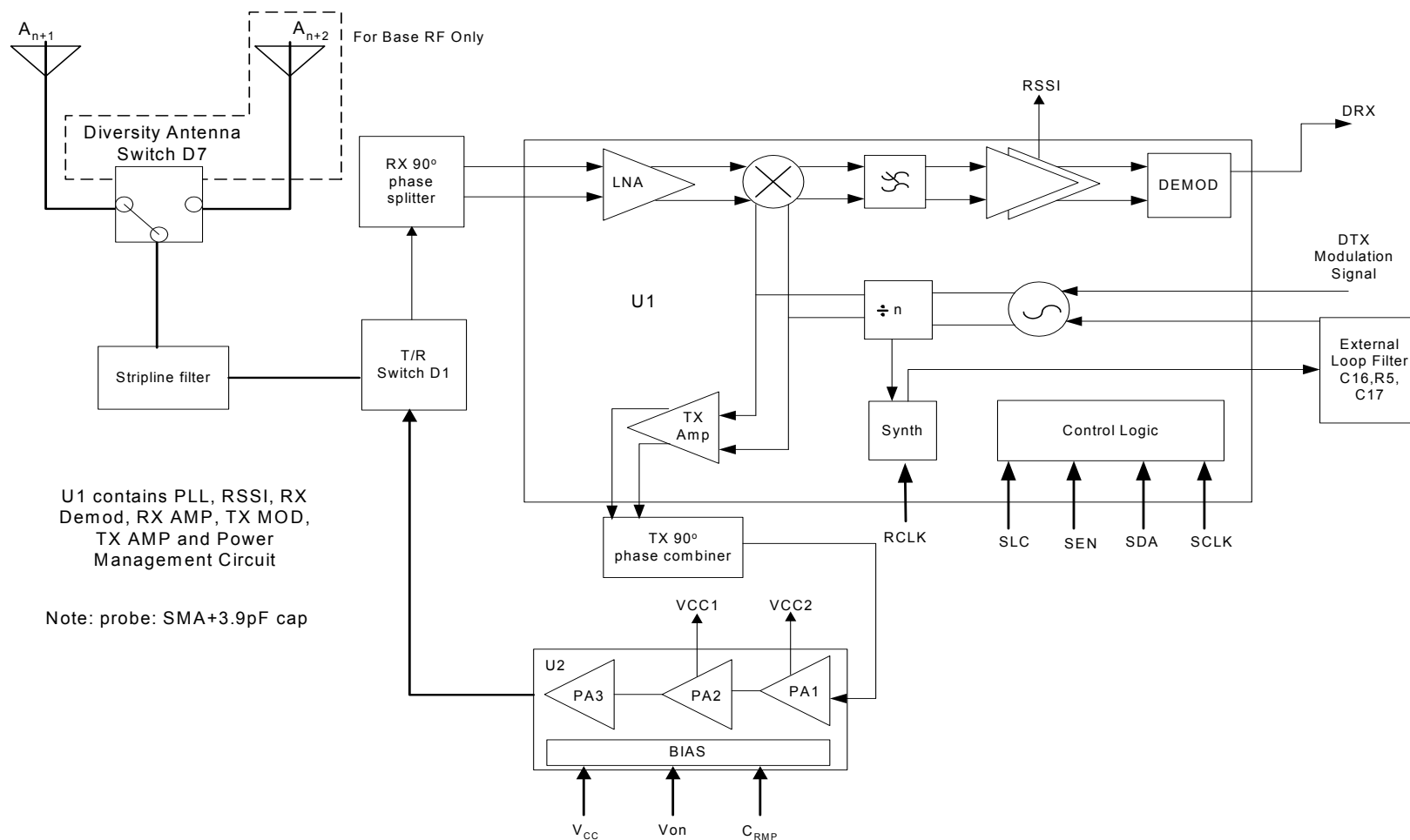


<b>Doc Cat.</b>		<b>Doc No.</b>	<b>B215-RP12-X-YY-TA</b>
<b>Doc Title</b>	<b>RF Functional Block Diagram</b>	<b>Revision</b>	<b>1.0</b>
<b>Dept./Proj.</b>	<b>1.9 GHz DECT Telephone</b>	<b>Page(s)</b>	<b>1 of 1</b>



U1 contains PLL, RSSI, RX Demod, RX AMP, TX MOD, TX AMP and Power Management Circuit

Note: probe: SMA+3.9pF cap