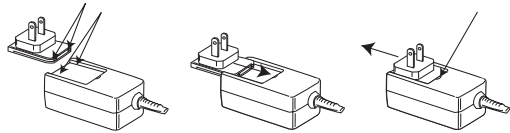


AC CONNECTION/RECHARGING THE BATTERY

1. Select the appropriate plug for your country and connect it to the AC power adapter.



2. Connect the AC power adapter jack to the DC IN jack 9 on the rear of the unit and then connect the plug to a 100V-240V wall outlet.

This unit has a built-in rechargeable battery that will automatically be charged as long as the unit is plugged in. If the battery is low, the Battery indicator 2 will turn on. The Battery indicator will blink red when low. It will be solid red when charging.

Note: The battery will provide approximately 6 hours of operation at normal listening level.

Notes:

- Only use the supplied AC adapter.
- Remove both the DC plug and AC-IN plug to disconnect AC adapter when not in use.
- Disconnect the AC cord to use with DC power (rechargeable battery).

Replacing the Rechargeable Battery:

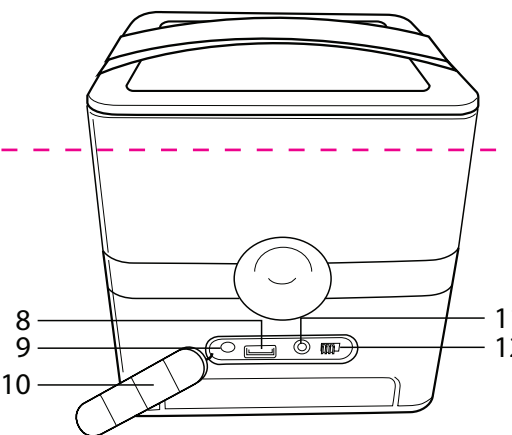
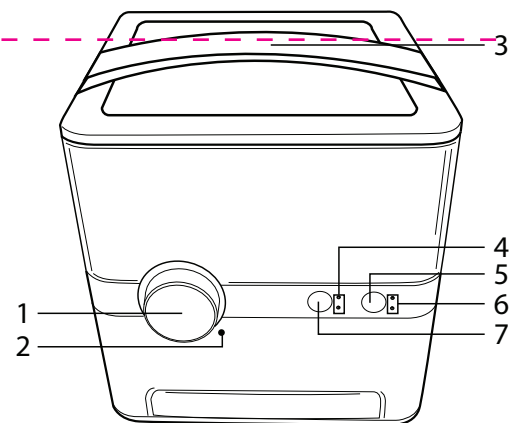
If the battery does not supply enough power (see Rechargeable Battery Notes below), order a replacement battery at www.tdkperformance.com and remove the four screws on the left side of the unit. Disconnect the connector and remove the battery. Then connect the new battery and reinsert the four screws.

Rechargeable Battery Notes:

- Each time you charge and discharge the battery (charge cycles), battery capacity slightly diminishes. Rechargeable batteries have a limited number of charge cycles and need to be replaced eventually.
- You may wish to replace your battery when, or before, the battery does not supply enough power to function your device. Also, proper disposal is essential from environmental and safety point of view. Putting any battery directly in the trash will harm the environment.
- Do not incinerate.



LOCATION OF CONTROLS



- | | |
|---|---------------------------|
| 1. Power/Volume Control | 8. USB Charge Jack |
| 2. Low Battery Indicator | 9. DC IN Jack |
| 3. Carrying Handle | 10. Rubber Flap |
| 4. Bluetooth® and Aux Source Indicators | 11. AUX Jack |
| 5. Treble/Bass Button | 12. Battery OFF/ON Switch |
| 6. Treble/Bass Indicators | |
| 7. Source/Select Button | |

OPERATION

Turning the A360 On and Off:

1. For AC operation: Press the Power/Volume control 1 on the main unit to turn the power on.
2. For DC operation: Slide the Battery switch 12 to the ON position. Press the Power/Volume control 1; the unit will turn on the previous source and volume.
3. To turn the power off, press the Power/Volume control 1.

Pairing a Bluetooth Device

1. Turn the A360 on; the LED(s) around the Power/Volume control will light and the previously listened to source and volume will be selected.
2. Press and hold the Source/Select button 7 until the Bluetooth indicator blinks rapidly to make the A360 "discoverable."
3. On the Bluetooth device, enable Bluetooth and select "A360" from the Device List. If the Bluetooth device asks for a passkey, use "0000". Some Bluetooth devices will ask you to accept the connection. If the units are paired properly, the speaker will beep and the Bluetooth indicator will light solid blue. If it failed, the Bluetooth indicator will blink slowly.

IMPORTANT: After step 3, you have two minutes to pair the units.

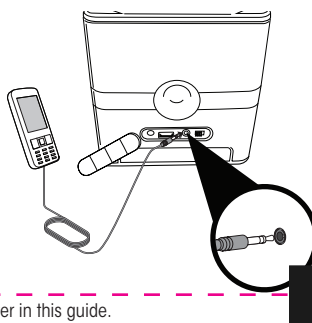
Note: After you pair a device, the A360 will remember it for future use.

Using a Bluetooth Device

1. Turn the A360 on; the LED(s) around the Power/Volume control will light and the previously listened to source and volume will be selected.
2. With a unit paired (see previous section), press the Source/Select button 7 so the Bluetooth indicator lights.
3. Operate your Bluetooth device and its sound will be heard through the A360's speakers.
4. Adjust the volume by rotating the Power/Volume control 1 on the A360, or the Volume control on the Bluetooth device, and adjust the Bass and Treble as described later in this guide.

AUX Jack (Rear of A360)

1. Insert one end of an audio cable (not included) into the LINE OUT or Headphone jack on your external audio unit and the other end into the AUX jack 11 on the rear of the A360, under the flap.
2. To listen to the external audio unit, turn the A360 on and press the Source/Select button 7 once so the AUX indicator lights to select the Line In mode.
3. Start playback of the external unit and the external audio unit's output sound will be heard through the A360's speakers.
4. Adjust the volume using the Power/Volume control 1 on the A360, or the Volume control on the Bluetooth device, and adjust the Bass and Treble as described later in this guide.



Charging a USB Device with the A360's USB Jack

Connect your device via USB to the USB jack 8 on the A360. Your device will charge when the A360 is connected to AC power. Your device will also charge during operation in DC mode if Battery OFF/ON switch 12 is ON.

Note: USB charging will significantly reduce battery life in DC mode.

Setting the Treble and Bass

1. TREBLE: Press the Treble/Bass button 5 until the Treble Indicator lights. Adjust the setting using the Power/Volume control 1.
2. BASS: Press the Treble/Bass button 5 until the Bass Indicator lights. Adjust the setting using the Power/Volume control 1.

Note: After five seconds, the unit will save the Bass/Treble settings and revert to Volume selection mode.

Auto Power Off

If the unit has no audio signal or a USB device is not charging, for 20 minutes, the unit will turn itself off. To "wake" the unit up, simply press the Power/Volume control 1.

Splash Resistant

The A360 is splash resistant, but cannot be submerged in water or be subject to constant flow of water. In order to ensure the product is splash resistant, close the rubber flap on the rear of the A360. To properly close flap, fully insert center rubber dangle (on inside of flap 10) into the DC IN jack 9 until flap center is flush. Insert the other dangle into USB jack 8, then smooth out entire flap until flap is flush with the sides of the A360.

Troubleshooting

If the A360 is not producing sound, adjust the volume level on your digital music device to high.

SPECIFICATIONS AND COMPATIBILITY

GENERAL:	Speaker Power Output 2 W x 4 + 15 W (subwoofer)
Power Source (AC) Input: 100-240V AC, 50/60Hz, 1.2 A max, Output: 19 V DC, 2A	Wireless Audio Bluetooth version 2.1, A2DP profile, AAC Codec
Dimensions 6 (W) x 6 (H) x 6 (D) inches	Line-input Audio 3.5 mm stereo jack up to 2.5 Vrms input signal
Weight 15.2 (W) x 15.2 (H) x 15.2 (D) cm	USB Port 5.0 V @ 0.5 A charge only
Speakers 4 x 1 inch full-range drivers, 4 inch subwoofer	

Specifications are subject to change without notice.

The TDK Life on Record Logo is a trademark of TDK Corporation and is used under license. All other trademarks and logos are property of their respective owners.

The Bluetooth® word mark and logos are registered trademarks owned by Bluetooth SIG, Inc. and any use of such marks by Imation Corp is under license.

CE Declaration of Conformity

We, Imation Corp.,
1 Imation Way, Oakdale, MN 55125 USA,
declare that the product(s):
Product Name: Wireless 360 Speaker
Product Model(s): A360

in accordance with EMC Directive 2004/108/EC,
per the following norm(s) or document(s):
Regulations
EN 55013:2001 + A1:2003 + A2:2006
EN 55020:2007 + A11:2011
EN 61000-3-2:2006 + A2:2009
EN 61000-3-3:2008

in accordance with the R&TTE Directive 1999/5/EC,
per the following norm(s) or document(s):
Regulations
EN 300 328 v1.8.1:2012
EN 301-489-1 v1.9.2:2011
EN 301-489-17 v2.2.1:2012
EN 62479:2010

in accordance with the Low Voltage
Directive 2006/95/EC, per the following
norm(s) or document(s):
Regulations
EN 60065, IEC 60065

in accordance with the Ecodesign Requirements
for Energy Related Products Directive 2009/125/EC,
per the following norm(s) or document(s):
Regulations
EC No. 1275/2008, EN62301

in accordance with the Restriction of Certain
Hazardous Substances Directive 2011/65/EU, per
the following norm(s) or document(s):
Regulations
EN 62321:2008

CK Wong
Quality Engineering Manager, Compliance
Engineering

Imation Corp., Oakdale, MN 55128 USA
15 July 2013

Declaración de Conformidad de CE

We, Imation Corp.,
1 Imation Way, Oakdale, MN 55125 USA,
declare that the product(s):
Product Name: Wireless 360 Speaker
Product Model(s): A360

in accordance with EMC Directive 2004/108/EC,
per the following norm(s) or document(s):
Regulations
EN 55013:2001 + A1:2003 + A2:2006
EN 55020:2007 + A11:2011
EN 61000-3-2:2006 + A2:2009
EN 61000-3-3:2008

in accordance with the R&TTE Directive 1999/5/
EC,
per the following norm(s) or document(s):
Regulations
EN 300 328 v1.8.1:2012
EN 301-489-1
v1.9.2:2011
EN 301-489-17
v2.2.1:2012
EN 62479:2010

in accordance with the
Low Voltage
Directive 2006/95/EC, per the following
norm(s) or document(s):
Regulations
EN 60065, IEC 60065

in accordance with the Ecodesign Requirements
for Energy Related Products Directive 2009/125/
EC,
per the following norm(s) or document(s):
Regulations
EC No. 1275/2008, EN62301

in accordance with the Restriction of Certain
Hazardous Substances Directive 2011/65/EU, per
the following norm(s) or document(s):
Regulations
EN 62321:2008

CK Wong

Complies with
IDA Standards
DA104910

Imation Enterprises Corp.
1 Imation Way, Oakdale, MN 55128-3414 USA
www.tdkperformance.com

Imation Europe B.V.
Planeetbaan 4
2132 HZ Hoofddorp
The Netherlands
www.tdkperformance.eu

Imation Singapore Pte. Ltd.
Unit 02-02 New Tech Park 151 Lorong Chuan
Singapore 556741
www.tdkperformance.com

Imation ANZ Pty Ltd
Unit 2, 1 Coronation Avenue Kings Park, NSW 2148
www.tdkperformance.com.au

お問い合わせは **お客様相談室**まで

0120-81-0544

www.tdk-media.jp

怡敏信 (上海) 有限公司
中国上海徐汇区淮海中路1325号爱美高大厦1202室
www.tdk-media.com.cn

怡敏信香港有限公司
九龍觀塘開源道64號源成中心27樓
www.tdk-media.com.hk

(주)이메이션 코리아 TDK LoR 사업부
서울시 마포구 창전동 141-4 미지빌딩 9층
www.imation.co.kr

**Technical Assistance / Assistance technique / Technische Hilfe / Technische assistentie /
Assistenza tecnica / Asistencia técnica / Assistência técnica / Техническая помощь /
Pomoc techniczna / Technická pomoc / お客様相談室 / 고객 지원센터 / 技術支援/
技术协助:**

US	800-285-2783
DE/AT/CH	+49 2131 226 311
IT	+39 022 1043 818
ES/PT	+34 900 993 166
UK/IE	+44 (0) 1344 402201
NL/Other EU	+31 (0) 23 521 2605
SG	65-6499-7199
AU/NZ	800-225-013
JP	0120-81-0544
CN	8621-6121-2122
대한민국	02-2012-9999
HK	852-2161-2888