

User's Manual

Thank you very much

For purchasing your MINUSWIRE product. Before using this product, please read important safety instructions.

This manual has all the feature operations and troubleshooting necessary to install and operate your new MINUSWIRE product. Please review this manual thoroughly to ensure proper installation and operation of this product.

IMPORTANT SAFETY INSTRUCTIONS

The applied nameplate is located at the bottom of the baby unit's base.

When using your equipment, basic safety precautions should always be followed to reduce the risk of fire, electric shock and injury, including the following :

1. Follow all warnings and instructions marked on the product.
2. Adult setup is required.
3. **CAUTION** : Do not install the baby unit at a height above 2 meters.
4. This product is not a substitute for adult supervision of the infant. Supervising the infant is the parent's or caregiver's responsibility. This product could cease operating, and therefore you should not assume it will continue working properly for any given period of time. Further, this is not a medical device and should not be used as such. This product is intended to assist you in supervising your baby.
5. Do not use this product near water. For example, do not use it next to a bath tub, wash bowl, kitchen sink, laundry tub or swimming pool, or in a wet basement or shower.
6. **CAUTION** : Use only the battery provided. There may be a risk of explosion if a wrong type of battery is used for the parent unit. The battery cannot be subjected to high or low extreme temperature and low air pressure at high altitude during use, storage or transportation. Disposal of battery into fire or a hot oven, or mechanically crushing or cutting the battery can result in an explosion. Leaving the battery in an extremely high temperature surrounding environment can result in an explosion or the leakage of flammable liquid or gas. Battery subjected to extremely low air pressure may result in an explosion or the leakage of flammable liquid or gas. Dispose of used battery according to the information in the RBRC seal.

7. Use only the adaptors included with this product. Incorrect adaptor polarity or voltage can seriously damage the product.
8. The power adaptors are intended to be correctly oriented in a vertical or floor mount position. The prongs are not designed to hold the plug in place if it is plugged into a ceiling, under-the-table or cabinet outlet.
9. For pluggable equipment, the socket-outlet shall be installed near the equipment and shall be easily accessible.
10. Unplug this product from the wall outlet before cleaning. Do not use liquid or aerosol cleaners. Use a damp cloth for cleaning.
11. Unplug the power cords before replacing battery.
12. Do not cut off the power adaptors to replace them with other plugs, as this causes a hazardous situation.
13. Do not allow anything to rest on the power cords. Do not install this product where the cords may be walked on or crimped.
14. This product should be operated only from the type of power source indicated on the marking label. If you are not sure of the type of power supply in your home, consult your dealer or local power company.
15. Do not overload wall outlets or use an extension cord.
16. Do not place this product on an unstable table, shelf, stand or other unstable surfaces.
17. This product should not be placed in any are where proper ventilation is not provided. Slots and openings in the back or bottom of this product are provided for ventilation. To protect them from overheating, these openings must not be blocked by placing this product on a soft surface such as a bed, sofa or rug. This product should never be placed near or over a radiator or heat register.
18. Never push objects of any kind into this product through the slots because they may touch dangerous voltage points or create a short circuit. Never spill liquid of any kind on the product.
19. To reduce the risk of electric shock, do not dissemble this product, but take it to an authorized service facility. Opening or removing parts of the product other than specified access or other risks. Incorrect reassembling can cause electric shock when the product is subsequently used.
20. You should test the sound reception every time you turn on the units or move one of the components.
21. There is a very low risk of privacy loss when using certain electronic devices, such as baby monitors, cordless telephones etc. To protect your privacy, make sure the product has never been used before purchase, reset the baby monitor if you will not use it for some time.

22. Children should be supervised to ensure that they do not play with the product.
23. The product is not intended for use by persons (including children) with reduced physical, sensory or mental capabilities, or lack of experience and knowledge, unless they have been given supervision or instruction concerning use of the appliance by a person responsible for their safety.

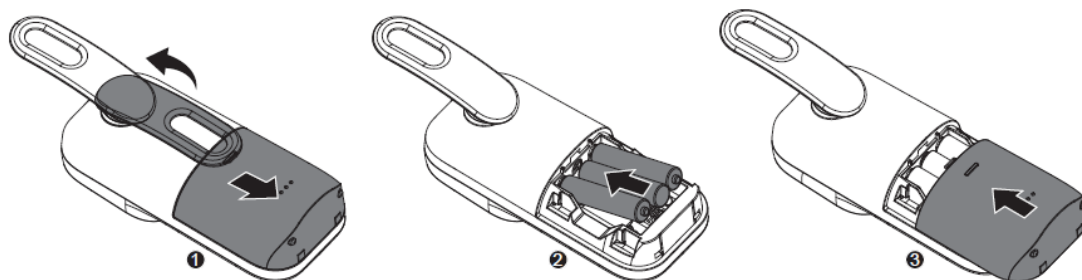
1. CONNECT THE BABY MONITOR

Install the parent unit battery

The parent unit runs on rechargeable battery or AC power. To continuously monitor your baby, make sure you use both battery and AC power at the same time. With the battery alone, the parent unit can cordlessly run for a short time only.

NOTES

- Use only the battery supplied with this product.
- If the parent unit will not be used for a long time, disconnect and remove the battery to prevent possible leakage.



Replace the battery

To reduce the battery, press down on the battery compartment cover and pull it out, then follow the steps above to install the battery.

Connect the battery monitor

NOTES

- Use only the power adaptors supplied with this product.
- Make sure the baby monitor is not connected to a switch controlled electric outlet.

- Connect the power adaptors in a vertical or floor mount position only. The adaptors' prongs are not designed to hold the weight of baby monitor, so do not connect them to any ceiling, under-the-table, or cabinet outlets. Otherwise, the adaptors may not properly connect to the outlets.
- Make sure the parent unit, the baby unit and the power adaptor cords are out of reach of children.
- With audio reminder feature preset to on, the parent unit plays an audio reminder when it connected to a baby unit.

Charge the parent unit battery

When you have connected and turned on the baby unit and all the parent units, they will enter pairing mode automatically. It takes less than 1 minutes for the pairing process to complete. When the parent unit and baby unit are successfully paired, both their power/status LEDs are on steadily. The baby monitor is ready to use.

NOTES

- Before using the baby monitor for the first time, charge the parent unit battery for 8 hours.
- It takes longer to charge the battery when the parent unit is turned on. To shorten the charging time, turn the parent unit off while charging.
- The standby time varies depending on the sensitivity level you set, your actual use and the age of the battery.
- The parent unit beeps twice every 10 minutes and the LED light flashes in red when the battery is low. Charge the parent unit battery without interruption for at least 30 minutes.
- To keep the battery charged, connect it to AC power when not in use.

2 BEFORE USE

NOTE

- This baby monitor is intended as an aid. It is not a substitute for proper adult supervision, and should be used as such

Test your baby monitor

You may test the baby monitor before initial use, and at regular times thereafter.

CAUTION

- For hearing protection, make sure the parent unit is more than 3 feet (1

meter) away from the baby unit. If you hear any high-pitched noise, move the parent unit further until the noise stops. You can also press on the parent unit to lower or mute the noise.

1. Make sure your baby unit and parent unit are on.
2. Speak towards the microphone of the baby unit. You will hear the sound at the parent unit, and see the visual sound indicators light up.

NOTE

- When the Power/Status LED light flashes, move the parent unit closer to the baby unit (observe the minimum distance of 3 feet / 1 meter). You can also check if the baby unit is connected to a live power socket and switch on.

TIP

- Increase the speaker volume of the parent until if you cannot hear the sounds transmitted from the baby unit.

Positioning the baby monitor

CAUTION

Keep the baby unit out of the reach of your baby. Never place or mount the baby unit inside the baby's crib or playpen.

1. Place the baby unit more than 3 feet (1 meter) away from the baby.
2. Place the parent unit more than 3 feet (1 meter) away from the baby unit to avoid screeching noise.

CAUTION

The default volume of your parent unit is level 3, and the maximum volume is level 5. If you experience high-pitched screeching noise from the baby monitor while positioning :



- Make sure your baby units and parent unit are more than 3 feet (1 meter) apart, OR
- Turn down the volume of your parent unit.

Operating range



The operating range of the baby monitor is up to 1000 feet (300 meters) outdoors or 160 feet (50 meters) indoors. The actual operating range may vary depending on the environment conditions and other interferences such as walls, doors and other obstructions.

3 USING THE BABY MONITOR

Power on or off the baby unit

- Press and hold  to turn on the baby unit. The Power LED light turn on in green.
- Press and hold  again to turn off the baby unit. The Power LED light turn off.

Power on or off the parent unit

- Press and hold  to turn on the parent unit. The Power/Link LED light turns on in green.
- Press and hold  again to turn off the parent unit. The Power/Link LED light turns off

Adjust parent unit speaker volume

The speaker volume is preset to level 3, and the maximum volume is level 5. You can adjust it to your preferred volume level.

Press + or – on the parent unit to adjust the speaker volume.

NOTE

If you continue to press + or – when the volume reaches the minimum or maximum setting, the parent unit will beep twice in different tone.

To mute the speaker volume :

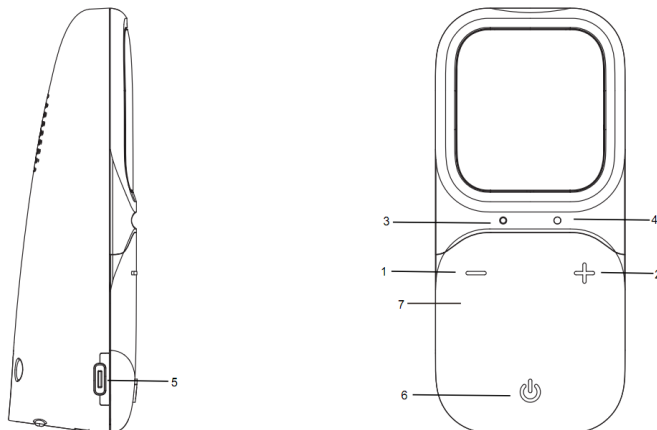
Press – repeatedly until the volume reaches the minimum.


NOTES

When the parent unit is in mute, the visual sound indicator will still indicate the sound detected from the baby unit.

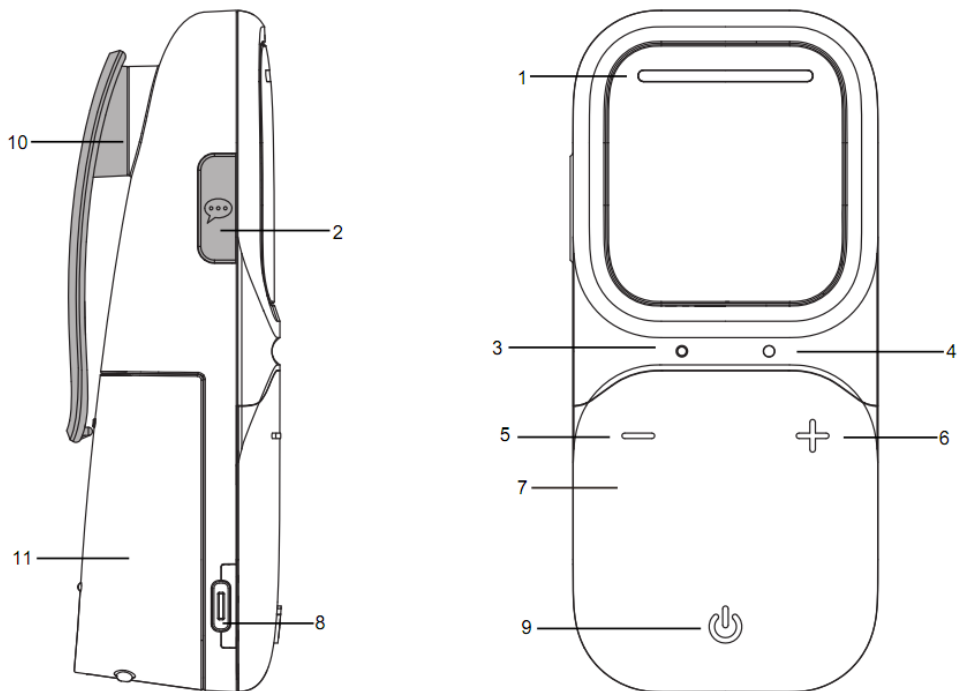
To unmute, press + repeatedly until it reaches your desire volume.

BABY UNIT OVERVIEW



1. Volume –
2. Volume +
3. Microphone
4. Power light
On steadily in green when the baby unit is powered on.
Off when the baby unit is powered off.
5. USB Power jack
6.  On/off
Press and hold to turn on or off the baby unit.
7. Speaker (at back side)

PARENT UNIT OVERVIEW



1. Visual Sound indicators

The visual sound indicators can show the sound level detected by the baby unit or the volume level during speaker volume setting.

Sound level detected by the baby unit

Green lights indicate a low sound level detected by the baby unit.

Amber lights indicate a moderate sound level detected by the baby unit.

Red lights indicate a high sound level detected by the baby unit.

Speaker volume level

Green lights indicate level 1 to level 2 of the speaker volume setting.

Amber lights indicate level 3 of the speaker volume setting.

Red lights indicate level 4-5 of the speaker volume setting.

2. Talk Back

Press and hold the button and speaker to the microphone to transfer the voice to the baby unit.

3. Microphone

4. Status LED light

Steady on in green when the parent unit is powered on.

Flashes in red when the parent unit is charging and powered off.

Flashes in yellow and green alternatively when the parent unit is charging and powered On.

Steady on in yellow when the parent unit is powered on but no battery is installed.

5. - Volume down

Press to decrease the parent unit speaker volume.

6. + Volume Up

Press to increase the parent unit speaker volume.

7. Speaker

8. USB Power Jack

9.  On/Off

Press and hold to turn on or off the parent unit.

10. Swivel Belt Clip (back side)

11. Battery compartment (back side)

PARENT UNIT ALERT TONES

Low battery tone * Beeps twice every 10 minutes when the battery is low.

Out of range or

Baby unit disconnected tone * Double beeps every 15 seconds when there is no

link between the baby unit and parent unit, or
When the parent unit is out of range from the
Baby unit.

PAIR THE BABY MONITOR

Once the parent unit and baby unit are both turned on, they will be paired automatically. If not, follow the steps as below:

Press and hold the power on/off on both parent unit and baby unit for 8 seconds, it will be paired again automatically.

If there is no device pairing for 1 minute, it will automatically exit the pairing mode and power off.

GENERAL PRODUCT CARE

To keep this product working well and looking good, follow these guidelines:

- Avoid putting in near heating appliances and devices that generate electrical noise (for example, motors or fluorescent lamps.)
- DO NOT expose it to direct sunlight or moisture.
- Avoid dropping the product or treating it roughly.
- Clean with a soft cloth.
- DO NOT immerse in water and do not clean them under the tap.
- DO NOT use cleaning spray or liquid cleaners.
- Make sure the baby unit and parent unit are dry before you connected them to the mains again.

STORAGE

When you are not going to use the baby monitor for some time, store them in a cool and dry place.

FREQUENTLY ASKED QUESTIONS

Below are the questions most frequently asked about the baby monitor. If you cannot find the answer to your question, contact the seller's customer service.

Q : Why doesn't the Power / Status LED light on the baby unit.

A : Perhaps the baby unit is not connected to the power supply. Connect the baby unit to power supply and turn it on.

Q : Why doesn't the Power / Status LED light on the parent unit.

A : Perhaps the battery of the parent unit is depleted and/or it is not connected to power supply. Connect the parent unit to power supply and charge the parent unit battery. The parent unit turns on and establishes connection with the baby unit.

Q : Why does the baby monitor not respond normally?

A : Try the following for common cure :

1. Disconnect the power to the baby unit and the parent unit.
2. Remove the battery from the parent unit.
3. Connect the baby unit to the power supply again. The baby unit turns on.
4. Connect the parent unit to the power supply again. The parent unit turns on.
5. Wait for the parent unit to pair with the baby unit until connected prompt sound is heard.
6. Press + and – to adjust the speaker volume on both the parent unit and baby unit again.
7. Or following the steps mentioned at PAIR THE BABY UNIT aforesaid section.

Q : Why don't I hear a sound/Why can't I hear my baby cry?

A : Make sure that both baby unit and parent unit are on. If you see the visual sound indicators light up, but there is no sound, then you may have muted the volume or set it to a lower level. Adjust the volume to higher level.

If the visual sound indicators do not light up, and you cannot hear any sound, it is because the sound is too low for the baby unit to detect. This is normal. Place the baby unit at least 3 feet / 1 meter away from the baby.

Q : Why can't establish a connection? Why is the connection lost every now and then? Why are there sound interruptions?

A : The baby unit may be out of range. Move the parent units closer to the baby unit (but not less than 3 feet / 1 meter).

Other electronic products may cause interference with your baby monitor. Try installing your baby monitor as far away from these electronic devices as possible.

SPECIFICATIONS

Frequency Range : 2.4GHz FHSS

RF Frequency Range: 2402-2480MHz

Maximum Power: 3W

Type C Charging voltage: 5V DC

Working Range: \geq 300 meter / 1000 feet (no obstacle)

Operating current: Volume Max <180mA

Parent unit play time : ≥ 6 Hours

Parent unit standby time ≥ 12 Hours

Parent unit charging time: ≤ 3 hours

Operating Temperature: $0^{\circ}\text{C}\sim 40^{\circ}\text{C}$

Power requirement :

Parent unit : DC - 750mAh Ni-MH battery x 3 (AAA / HR03) supplied

Parent unit power adapter: Output: 5V DC 1000mA

Baby unit power adapter: Output: 5V DC 1000mA



RECYCLING

This product bears the selective sorting symbol for Waste electrical and electronic equipment (WEEE). This means that this product must be handled pursuant to European directive 2012/19/EU in order to be recycled or dismantled to minimize its impact on the environment.

User has the choice to give his product to a competent recycling organization or to the retailer when he buys a new electrical or electronic equipment.



The symbol indicates DC voltage



This device complies with part 15 of the FCC Rules. Operation is subject to the following two conditions: (1) This device may not cause harmful interference, and (2) this device must accept any interference received, including interference that may cause undesired operation.

Cautions:

Any Changes or modifications not expressly approved by the party responsible for compliance could void the user's authority to operate the equipment.

Note: This equipment has been tested and found to comply with the limits for a Class B digital device, pursuant to part 15 of the FCC Rules. These limits are designed to provide reasonable protection against harmful interference in a residential installation. This equipment generates uses and can radiate radio frequency energy a

nd, if not installed and used in accordance with the instructions, may cause harmful interference to radio communications. However, there is no guarantee that interference will not occur in a particular installation. If this equipment does cause harmful interference to radio or television reception, which can be determined by turning the equipment off and on, the user is encouraged to try to correct the interference by one or more of the following measures:

- Reorient or relocate the receiving antenna.
- Increase the separation between the equipment and receiver.
- Connect the equipment into an outlet on a circuit different from that to which the receiver is connected.
- Consult the dealer or an experienced radio/TV technician for help.

This equipment complies with FCC radiation exposure limits set forth for an uncontrolled environment. This equipment should be installed and operated with minimum distance 20cm between the radiator & your body.

This device contains licence-exempt transmitter(s)/receiver(s) that comply with Innovation, Science and Economic Development Canada'

s licence-exempt RSS(s). Operation is subject to the following two conditions:

- (1) This device may not cause interference.
- (2) This device must accept any interference, including interference that may cause undesired operation of the device.

Le pré

sent appareil est conforme aux CNR d'Industrie Canada applicables aux appareils radio exempts de licence. L'exploitation est autorisée

aux deux conditions suivantes:

- (1) l'appareil ne doit pas produire de brouillage, et
- (2) l'utilisateur de l'appareil doit accepter tout brouillage radioélectrique subi, même si le brouillage est susceptible d'en compromettre le fonctionnement.

CAN ICES-3 (B)/NMB-3(B)

This equipment complies with IC RSS-102 radiation exposure limits set forth for an uncontrolled environment.

This equipment should be installed and operated with minimum distance 20cm between the radiator & your body.

Cet équipement est conforme aux limites d'IC RSS-102 sur l'

exposition aux radiations qui sont déterminés pour un environnement non contrôlé.
Cet équipement doit être installé et utilisé en observant une distance minimum de 20 cm entre la source du rayonnement et votre corps.