

FCC Part 15 Subpart C
EMI TEST REPORT

of

E.U.T. : Magnetic Window Sensor

FCC ID. : P6W001

MODEL : WY-TXA01

Working Frequency : 315 MHz

for

APPLICANT : Weiyang Electric Wire & Cable Co., Ltd.

ADDRESS : 1-2F, NO. 6, Pao Kao Rd. Hsin Tien City, Taipei, 231
Taiwan, R.O.C.

Test Performed by

ELECTRONICS TESTING CENTER, TAIWAN
NO. 8 LANE 29, WENMIMG ROAD,
LOSHAN TSUN, KWEISHAN HSIANG,
TAOYUAN, TAIWAN, R.O.C.

Tel:(03)3276170-3276174

Fax:(03)3276188

Report Number : ET90S-12-159-03

TEST REPORT CERTIFICATION

Applicant : Weiyang Electric Wire & Cable Co., Ltd.
1-2F, NO. 6, Pao Kao Rd. Hsin Tien City, Taipei, 231 Taiwan, R.O.C.

Manufacturer : Weiyang Electric Wire & Cable Co., Ltd.
1-2F, NO. 6, Pao Kao Rd. Hsin Tien City, Taipei, 231 Taiwan, R.O.C.

Description of EUT :

a) Type of EUT : Magnetic Window Sensor
b) Trade Name : --
c) Model No. : WY-TXA01
d) FCC ID : P6W001
e) Working Frequency : 315 MHz
f) Power Supply : DC 12V Battery

Regulation Applied : FCC Rules and Regulations Part 15 Subpart C (2001)

I HEREBY CERTIFY THAT; The data shown in this report were made in accordance with the procedures given in ANSI C63.4 and the energy emitted by the device was founded to be within the limits applicable. I assume full responsibility for accuracy and completeness of these data.

Note : 1. The results of the testing report relate only to the items tested.
2. The testing report shall not be reproduced except in full, without the written approval of ETC.

Test Date : Jan. 10, 2002

Test Engineer : Ricco Hu

Approve & Authorized
Signer :

Win-Po Tsai
Win-Po Tsai, Supervisor, NVLAP Signatory
EMC Dept. I of ELECTRONICS
TESTING CENTER, TAIWAN

Table of Contents

Page

1. GENERAL INFORMATION.....	1
1.1 PRODUCT DESCRIPTION.....	1
1.2 CHARACTERISTICS OF DEVICE:.....	1
1.3 TEST METHODOLOGY	1
1.4 TEST FACILITY.....	1
2. DEFINITION AND LIMITS.....	2
2.1 DEFINITION	2
2.2 RESTRICTED BANDS OF OPERATION	2
2.3 LIMITATION	2
2.4 LABELING REQUIREMENT	4
2.5 USER INFORMATION	4
3. RADIATED EMISSION MEASUREMENT.....	5
3.1 APPLICABLE STANDARD.....	5
3.2 MEASUREMENT PROCEDURE	5
3.3 TEST DATA.....	7
3.4 FIELD STRENGTH CALCULATION	8
3.5 RADIATED TEST EQUIPMENT	8
3.6 MEASURING INSTRUMENT SETUP	8
3.7 RADIATED MEASUREMENT PHOTOS.....	9
4. BANDWIDTH OF EMISSION	10
4.1 APPLICABLE STANDARD PLOT GRAPHIC OF BANDWIDTH.....	10
4.2 BANDWIDTH TEST EQUIPMENT	10
4.3 PLOT GRAPHIC OF BANDWIDTH	10
5. CONDUCTED EMISSION MEASUREMENT.....	13
5.1 APPLICABLE STANDARD	13
6. LIMIT OF TRANSMISSION TIME.....	14
6.1 APPLICABLE STANDARD.....	14
6.2 ACTIVE TIME.....	14

1. GENERAL INFORMATION

1.1 Product Description

a) Type of EUT	: Magnetic Window Sensor
b) Trade Name	: --
c) Model No.	: WY-TXA01
d) FCC ID	: P6W001
e) Working Frequency	: 315 MHz
f) Power Supply	: DC 12V Battery

1.2 Characteristics of Device:

To affix the base unit and magnet piece to the window or door, in order to detect the opening of window or door.

1.3 Test Methodology

Radiated testing were performed according to the procedures in chapter 13 of ANSI C63.4. The equipment under test was operated continuously in its normal operating mode for the purpose of the measurements.

The receiving antenna was varied from 1 to 4 meters and the wooden turntable was rotated through 360 degrees to obtain the highest reading on the field strength meter or on the display of the spectrum analyzer. And also, each emission was to be maximized by changing the orientation of the equipment under test.

1.4 Test Facility

The semi-anechoic chamber and conducted measurement facility used to collect the radiated and conducted data are located inside the Building at No.8, Lane 29, Wen-ming Road, Lo-shan Tsun, Kweishan Hsiang, Taoyuan, Taiwan, R.O.C.

This site has been accreditation as a FCC filing site.

2. DEFINITION AND LIMITS

2.1 Definition

Intentional radiator:

A device that intentionally generates and emits radio frequency energy by radiation or induction.

2.2 Restricted Bands of Operation

Only spurious emissions are permitted in any of the frequency bands listed below:

MHz	MHz	MHz	GHz
0.090 - 0.110	16.42-16.423	399.9-410	4.5-5.25
0.495 - 0.505 **	16.69475 - 16.69525	608-614	5.35-5.46
2.1735 - 2.1905	16.80425 - 16.80475	960-1240	7.25-7.75
4.125-4.128	25.5-25.67	1300-1427	8.025-8.5
4.17725-4.17775	37.5-38.25	1435-1626.5	9.0-9.2
4.20725-4.20775	73-74.6	1645.5-1646.5	9.3-9.5
6.215-6.218	74.8-75.2	1660-1710	10.6-12.7
6.26775-6.26825	108-121.94	1718.8-1722.2	13.25-13.4
6.31175-6.31225	123-138	2200-2300	14.47-14.5
8.291-8.294	149.9-150.05	2310-2390	15.35-16.2
8.362-8.366	156.52475 - 156.52525	2483.5-2500	17.7-21.4
8.37625-8.38675	156.7-156.9	2655-2900	22.01-23.12
8.41425-8.41475	162.0125-167.17	3260-3267	23.6-24.0
12.29-12.293	167.72-173.2	3332-3339	31.2-31.8
12.51975-12.52025	240-285	3345.8-3358	36.43-36.5
12.57675-12.57725	322-335.4	3600-4400	Above 38.6
13.36-13.41			

Remark “**” : Until February 1, 1999, this restricted band shall be 0.490-0.510 MHz

2.3 Limitation

(1) Conducted Emission Limits :

For an intentional radiator which is designed to be connected to the public utility (AC) power line, the conducted limit is the following:

Frequency (MHz)	Emission (μ V)	Emission (dB μ V)
0.45 - 30.0	250	48.0

(2) Radiated Emission Limits :

According to 15.231 ,Periodic operation in the band 40.66-40.70 MHz and above 70 MHz, the field strength of emissions from intentional radiators operated under this section shall not exceed the following:

Frequency Band (MHz)	Field strength of Fundamental (uV/m)	Field strength of Spurious (uV/m)
40.66-40.70	2250	225
70-130	1250	125
130-174	*1,250 to 3,750	*125 to 375
174-260	3750	375
260-470	*3,750 to 12,500	*375 to 1250
Above 470	12500	1250

* Linear interpolations.

Field strength limits are at the distance of 3 meters, emissions radiated outside of the specified bands, shall be according to the general radiated limits in 15.209,as following table:

Other Frequencies (MHz)	Field Strength of Fundamental	
	μ V/meter	dB μ V/meter
30 - 88	100	40.0
88 - 216	150	43.5
216 - 960	200	46.0
Above 960	500	54.0

As shown in 15.35(b), for frequencies above 1000MHz, the field strength limits are based on average detector, however, the peak field strength of any emission shall not exceed the maximum permitted average limits, specified above by more than 20 dB under any condition of modulation.

(3) Limit of transmission time

- a) A manually operated Remote Control Extender (Transmitter) shall employ a switch that will automatically deactivate the Remote Control Extender (Transmitter) within not more than 5 seconds of being released.
- b) A Remote Control Extender (Transmitter) activated automatically shall cease transmission within 5 seconds after activation.

(4) The bandwidth of the emission

The bandwidth of the emission shall be no wider than 0.25% of the center frequency for devices operating above 70MHz and below 900MHz.

2.4 Labeling Requirement

The device shall bear the following statement in a conspicuous location on the device :

This device complies with part 15 of the FCC Rules. Operation is subject to the following two conditions: (1) This device may not cause harmful interference, and (2) this device must accept any interference received, including interference that may cause undesired operation.

2.5 User Information

The users manual or instruction manual for an intentional or unintentional radiator shall caution the user that changes or modifications not expressly approved by the party responsible for compliance could void the user's authority to operate the equipment.

3. RADIATED EMISSION MEASUREMENT

3.1 Applicable Standard

For periodic operation intentional radiator, the radiated emission shall comply with § 15.231(b).

3.2 Measurement Procedure

1. Setup the configuration per figure 1 and 2 for frequencies measured below and above 1 GHz respectively. Turn on EUT and make sure that it is in normal function.
2. For emission frequencies measured below 1 GHz, a pre-scan is performed in a semi-anechoic chamber to determine the accurate frequencies of higher emissions and then each selected frequency is precisely measured. As the same purpose, for emission measured above 1 GHz, a pre-scan also be performed with a 1 meter measuring distance before final test.
3. For emission measured below and above 1 GHz, set the spectrum analyzer on a 100 kHz and 1 MHz resolution bandwidth respectively for each frequency measured in step 2.
4. The search antenna is to be raised and lowered over a range from 1 to 4 meters in horizontally polarized orientation. Position the highness when the highest value is indicated on spectrum analyzer, then change the orientation of EUT on test table over a range from 0° to 360° with a speed as slow as possible, and keep the azimuth that highest emission is indicated on the spectrum analyzer. Vary the antenna position again and record the highest value as a final reading. A RF test receiver is also used to confirm emissions measured.
5. Repeat step 4 until all frequencies need to be measured were complete.
6. Repeat step 5 with search antenna in vertical polarized orientations.
7. Check the three frequencies of highest emission with varying the placement of cables (if any) associated with EUT to obtain the worse case and record the result.

Figure 1 : Frequencies measured below 1 GHz configuration

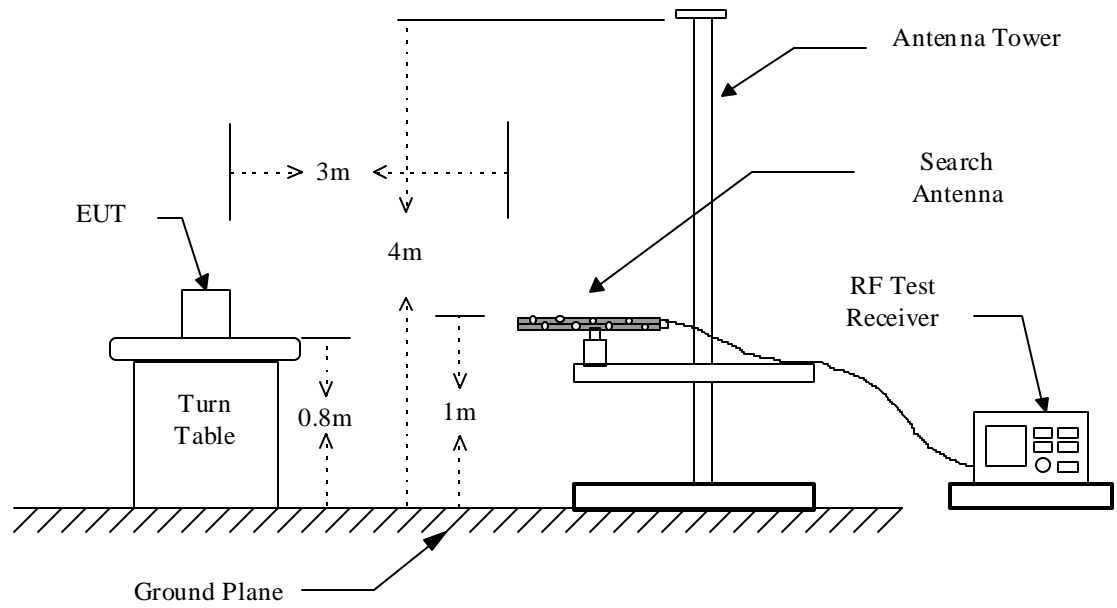
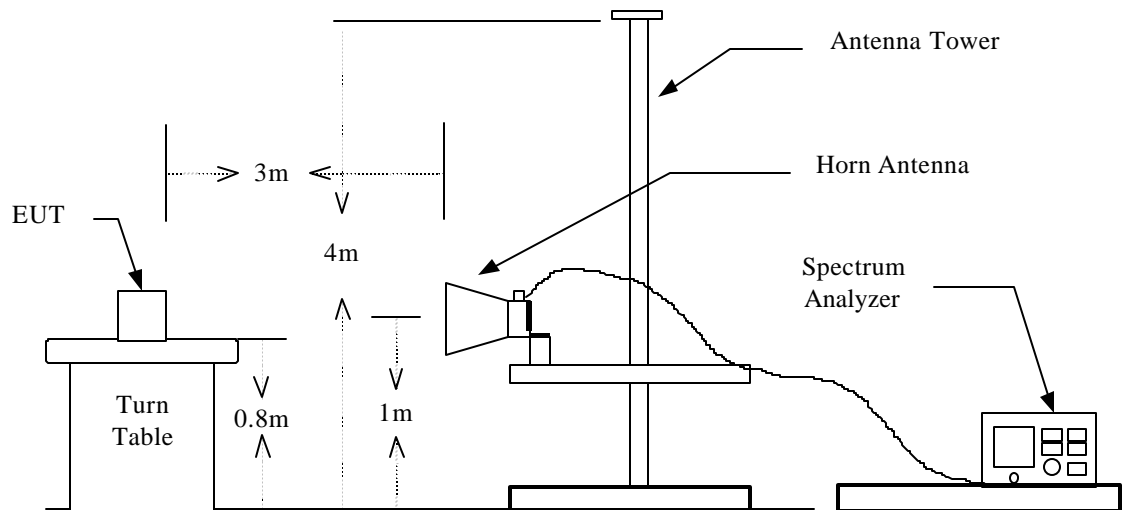


Figure 2 : Frequencies measured above 1 GHz configuration



3.3 Test Data

Temperature : 21
 Humidity : 64%
 Operated mode : Transmitting
 Test Date : Jan. 08, 2002

Frequency (MHz)	Ant Pol H/V	Reading (dBuV) Peak	Correct Factor (dB) Ant.	Result @3m (dBuV/m) Peak	Limit @3m (dBuV/m)		Margin (dB)	Table Degree (Deg.)	Ant. High (m)
					Peak	Avg			
314.725	H	45.5	18.8	64.3	95.6	75.6	-31.3	130	1.0
314.725	V	36.2	18.8	55.0	95.6	75.6	-40.6	200	1.7
629.450	H/V	----	27.5	----	75.6	55.6	----	----	----
944.175	H/V	----	27.5	----	74.0	54.0	----	----	----
1258.990	H/V	----	26.2	----	75.6	55.6	----	----	----
1573.625	H/V	----	26.5	----	74.0	54.0	----	----	----
1888.350	H/V	----	29.8	----	75.6	55.6	----	----	----
2203.075	H/V	----	30.8	----	74.0	54.0	----	----	----
2517.800	H/V	----	31.5	----	75.6	55.6	----	----	----
2832.525	H/V	----	32.2	----	74.0	54.0	----	----	----
3147.250	H/V	----	33.3	----	75.6	55.6	----	----	----

Note :

1. Limit on the field strength of fundamental
 $41.6667 \times 314.725-7083.3333=6035.3438 \mu \text{ V/m}$ 75.6dB $\mu \text{ V/m}$
2. Limit on the field strength of spurious less than limit value 20dB.
- 3.If the measured frequencies fall in the restricted frequency band, the limit employed is § 15.209 general requirement when frequencies are below or equal to 1 GHz. And the measuring instrument is set to quasi peak detector function, no duty factor applied.
4. If the data table appeared symbol of “----“ means the value is too low to be measured.
5. The estimated measurement uncertainty of the result measurement is $\pm 3\text{dB}$.

3.4 Field Strength Calculation

The field strength is calculated by adding the Antenna Factor and Cable Factor, and subtracting the Amplifier Gain (if any) from the measured reading. The basic equation with a sample calculation is as follows:

$$\mathbf{RESULT = READING + CORR. FACTOR}$$

where CORR. FACTOR = Antenna FACTOR + Cable FACTOR

Assume a receiver reading of 22.5 dB μ V is obtained. The Antenna Factor of 14.5 and a Cable Factor of 1.5 is added. The total of field strength is 38.5 dB μ V/m.

$$\mathbf{RESULT = 22.5 + 14.5 + 1.5 = 38.5 \text{ dB } \mu \text{ V/m}}$$

$$\begin{aligned} \text{Level in } \mu \text{ V/m} &= \text{Common Antilogarithm}[(38.5 \text{ dB } \mu \text{ V/m})/20] \\ &= 84.14 \mu \text{ V/m} \end{aligned}$$

3.5 Radiated Test Equipment

The following instrument are used for radiated emissions measurement :

Equipment	Manufacturer	Model No.	Serial No.	Calibrated until
EMI Test Receiver	Hewlett-Packard	8546A	13054404-001	Jun. 20, 2002
BiconiLog Antenna	SCHWARZBECK	9160	13057310-001	Oct. 18, 2002
Horn Antenna	EMCO	3115	43057301-002	Dec. 12, 2002

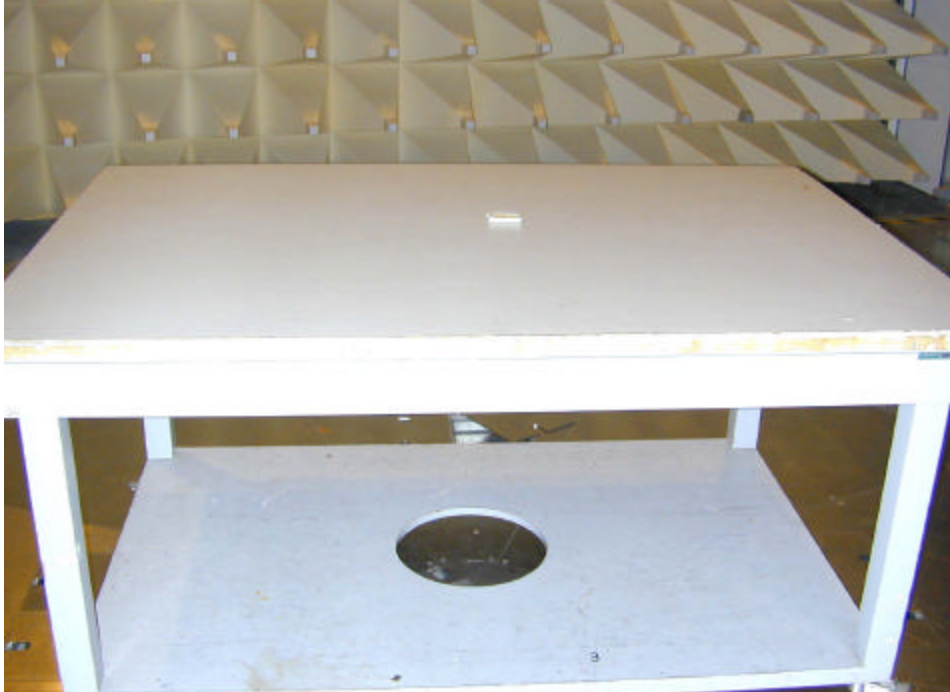
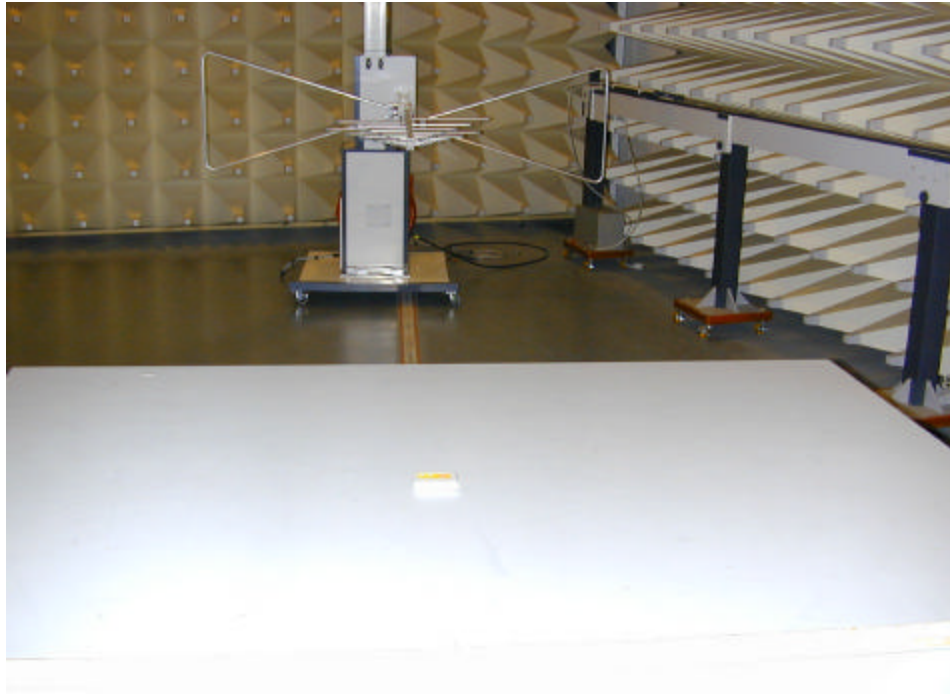
Note: The standards used to perform this calibration are traceable to NML/ROC, NIST/USA and NPL.

3.6 Measuring Instrument Setup

Explanation of measuring instrument setup in frequency band measured is as following :

Frequency Band (MHz)	Instrument	Function	Resolution bandwidth	Video Bandwidth
30 to 1000	EMI Test Receiver	Peak	120 kHz	300 kHz
1000 to 4000	EMI Test Receiver	Peak	1 MHz	1 MHz

3.7 Radiated Measurement Photos



4. BANDWIDTH OF EMISSION

4.1 Applicable Standard Plot Graphic of Bandwidth

Per FCC rule § 15.231(c), the permitted emission bandwidth is no wider than 0.25% of the center frequency for devices operating above 70 MHz and below 900 MHz.

4.2 Bandwidth Test Equipment

Equipment	Manufacturer	Model No.	Serial No.	Calibrated until
EMI Test Receiver	Hewlett-Packard	8546A	43054403-001	Jun. 15, 2002
Plotter	Hewlett-Packard	7550A	----	N/A

4.3 Plot Graphic of Bandwidth

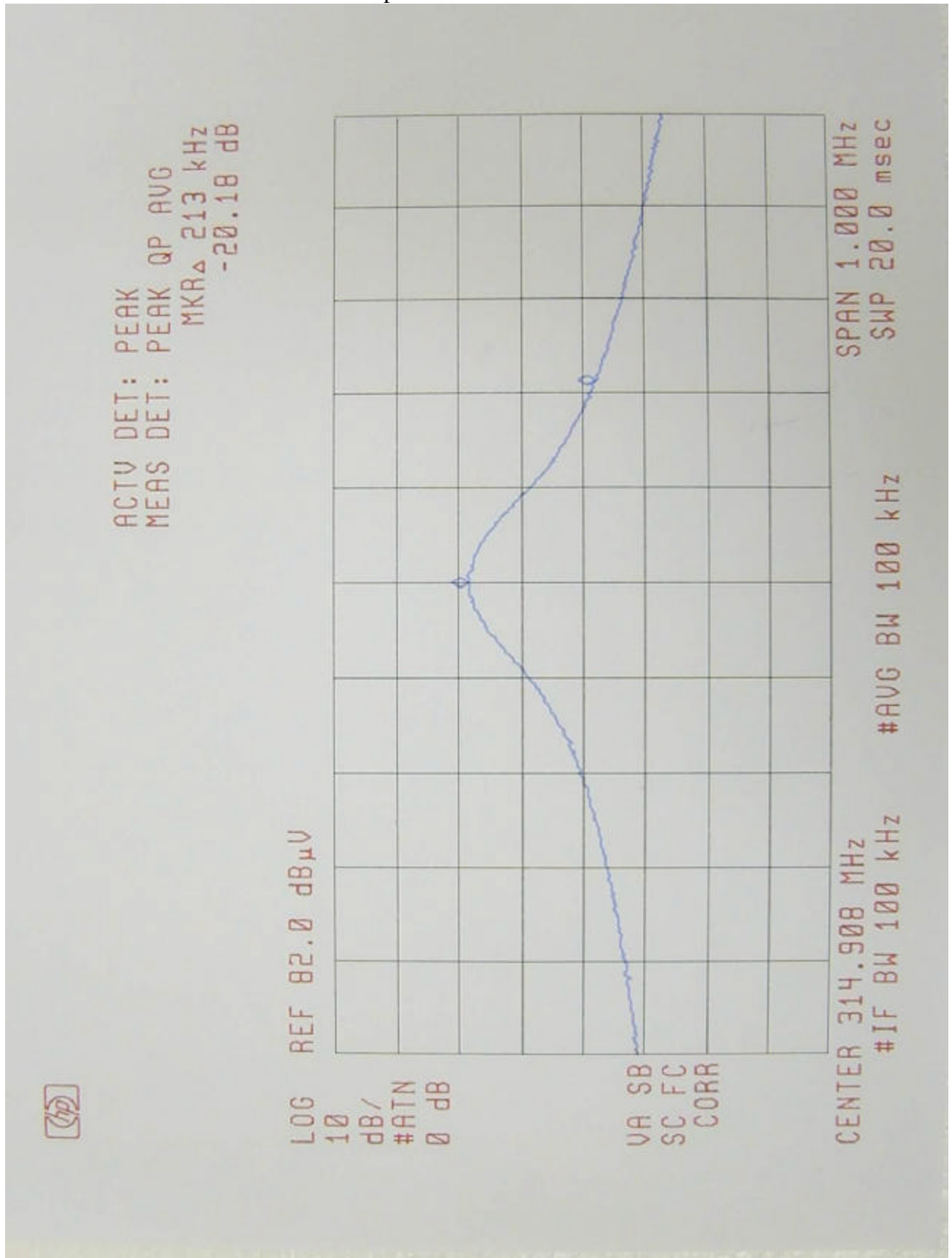
The emission bandwidth limit for this transmitter is

(a) $314.908\text{MHz} \times 0.25\% = 787.3\text{kHz}$

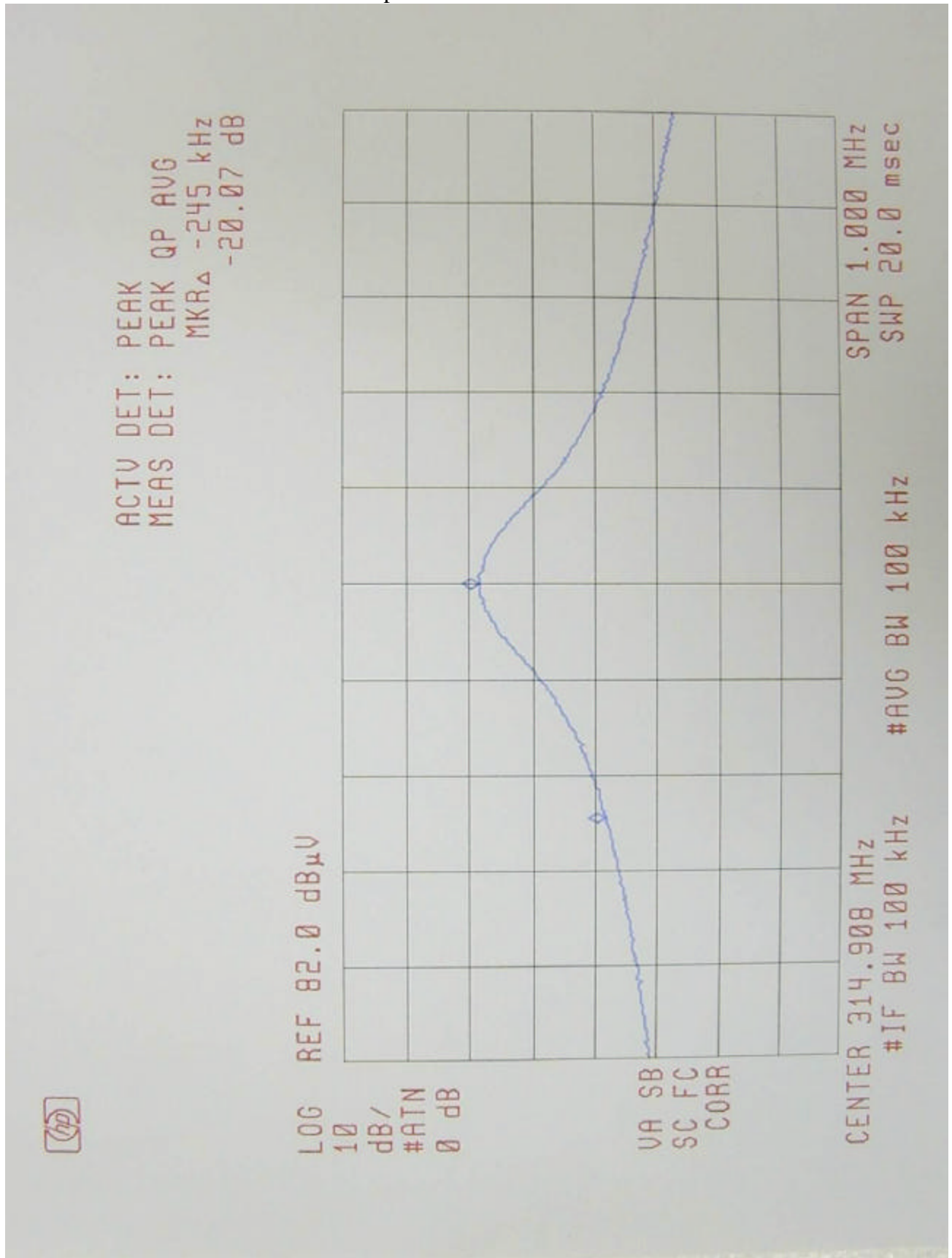
(b) Test Result = $213+245 = 458\text{kHz}$

Plotted graphics please see page 11 and 12.

Graphics of BandWidth -01



Graphics of BandWidth -02



5. CONDUCTED EMISSION MEASUREMENT

5.1 Applicable Standard

This EUT is excused from investigation of conducted emission, for it is powered by battery only. According to § 15.207 (d), measurements to demonstrate compliance with the conducted limits are not required for devices which only employ battery power for operation and which do not operate from the AC power lines or contain provisions for operation while connected to the AC power lines.

6. LIMIT OF TRANSMISSION TIME

6.1 Applicable Standard

According to 15.231(a)(1), a manually operated transmitter shall employ a switch that will automatically deactivate the transmitter within not more than 5 seconds of being released.

6.2 Active Time

This transmitter is operated by manual and active time is less than 1 second after being released.