

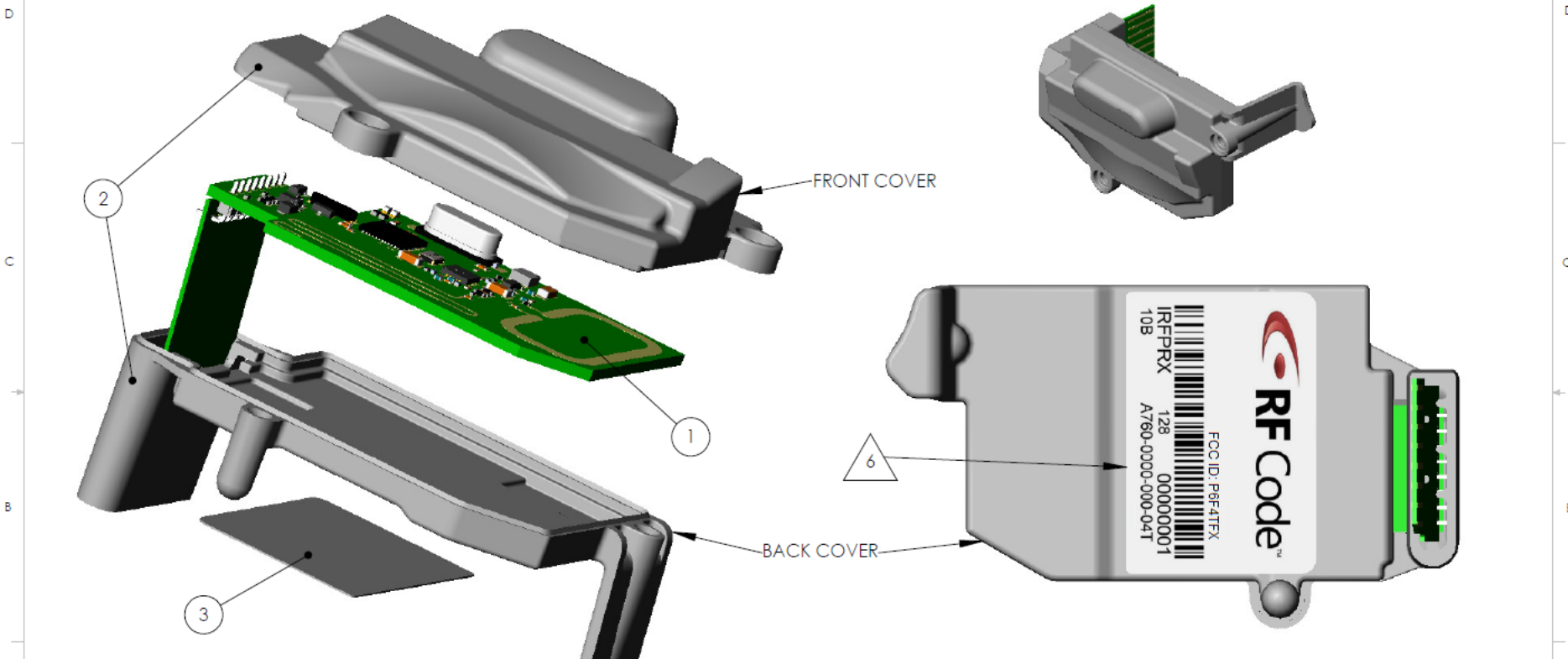
8 7 6 5 4 3 2 1

RF CODE CONFIDENTIAL - STRICTLY PRIVATE

THE INFORMATION CONTAINED IN THIS DRAWING IS THE SOLE PROPERTY OF RF CODE. ANY REPRODUCTION IN PART OR WHOLE WITHOUT THE WRITTEN PERMISSION OF RF CODE IS PROHIBITED. COPYRIGHT © 2013, RF CODE. ALL RIGHTS RESERVED.


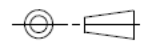
RELEASED

REVISIONS				
REV.	SUFFIX	DESCRIPTION	DATE	APPROVED



NOTES:

- 1) SEE BOM FOR ADDITIONAL NOTES.
- 2) NOTE CIRCUIT BOARD ORIENTATION.
- 3) SLIDE ITEM 1 PCA INTO BOTTOM ASSEMBLY ITEM 2.
- 4) PLACE ITEM 2 COVER ON TOP OF ITEM 2 BASE.
- 5) SONIC WELD.
- 6) POSITION LABEL AS SHOWN. ENSURE LABEL BARCODE IS FLAT ON THE ENCLOSURE. LABEL DATA SHOWN FOR REFERENCE.
- 7) DEVICES ARE ESD SENSITIVE, USE PROPER ESD HANDLING.

UNLESS OTHERWISE SPECIFIED DIMENSIONS ARE IN INCHES. TOLERANCES ARE: FRACTIONS DECIMALS ANGLES +/- 1/16 .XXX+/- .005 +/- 1/2	DRAWN A.HAMILTON	DATE 08/21/2013	 RF Code™ 9229 Waterford Center Blvd. #500 Austin, TX 78758 512-439-2200 512-439-2199 FAX	
	ENGINEER RGRACZYK	DATE 07/30/2013		
MATERIAL & FINISH - SEE NOTES	CHECKED	DATE	TITLE UNIT, SOAPBOX	
DO NOT SCALE DRAWING	DRAWING FILE NAME 02361.SLDDRW		PRODUCT	
THIRD ANGLE PROJECTION 	3D MODEL FILE NAME 02361		SIZE B	DWG. NO. 02361
	3D MODEL CONFIGURATION NAME Default		SCALE 1:1	REV. 00
				SHEET 1 OF 1

8 7 6 5 4 3 2 1