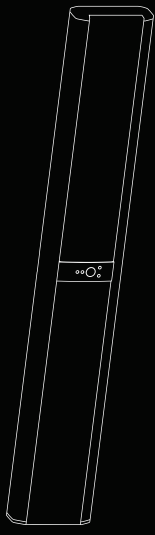


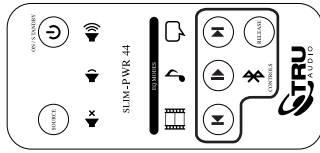


Quick Guide - SLIM-PWR-44

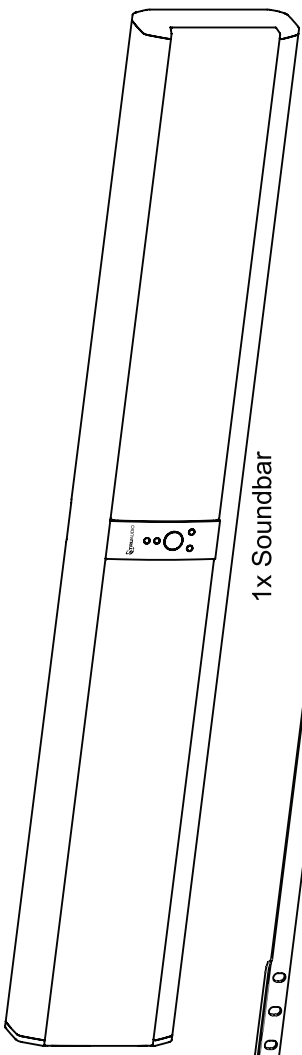


1. Included Items

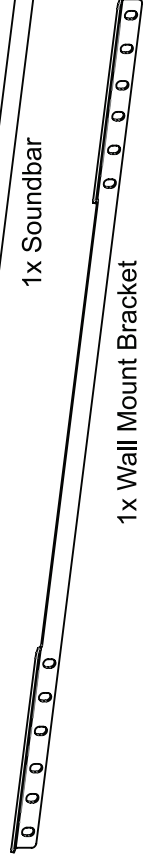
SLIM-PWR44 - Power Cord - Remote - Bracket - Screws



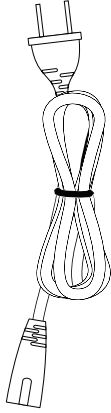
1x Remote



1x Soundbar



1x Wall Mount Bracket



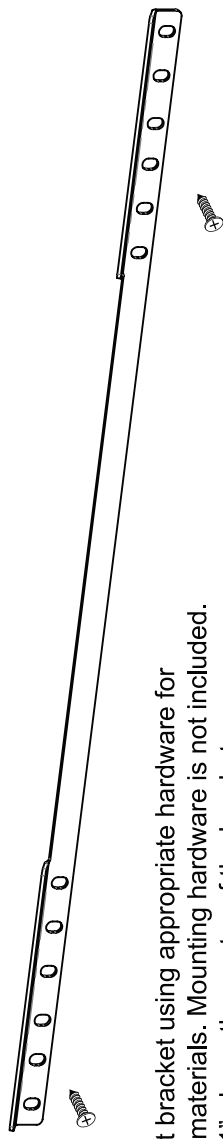
1x Power Cord



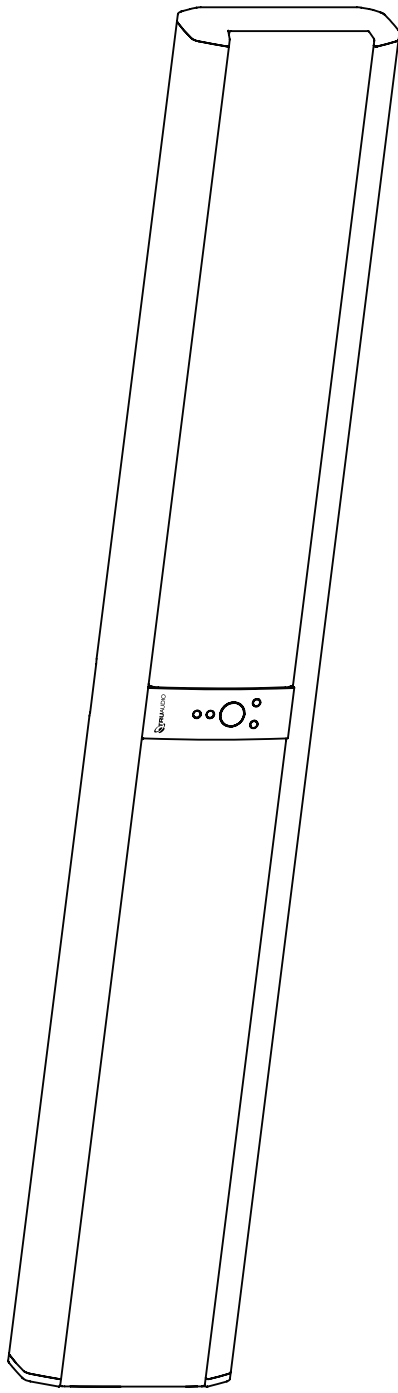
2x Screws for
Attaching to SLIM-Stand

Optional Accessories: SLIM-STAND Tabletop Stand, W-RX Wireless Sub Receiver, SLIM-TVB TV Mount Bracket

2. Mounting



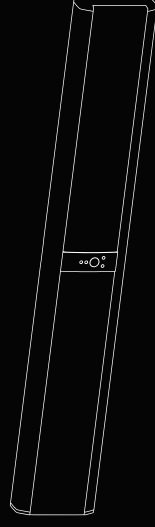
Level and install wall mount bracket using appropriate hardware for the wall's construction and materials. Mounting hardware is not included. Expect the soundbar to sit 1" above the center of the bracket.



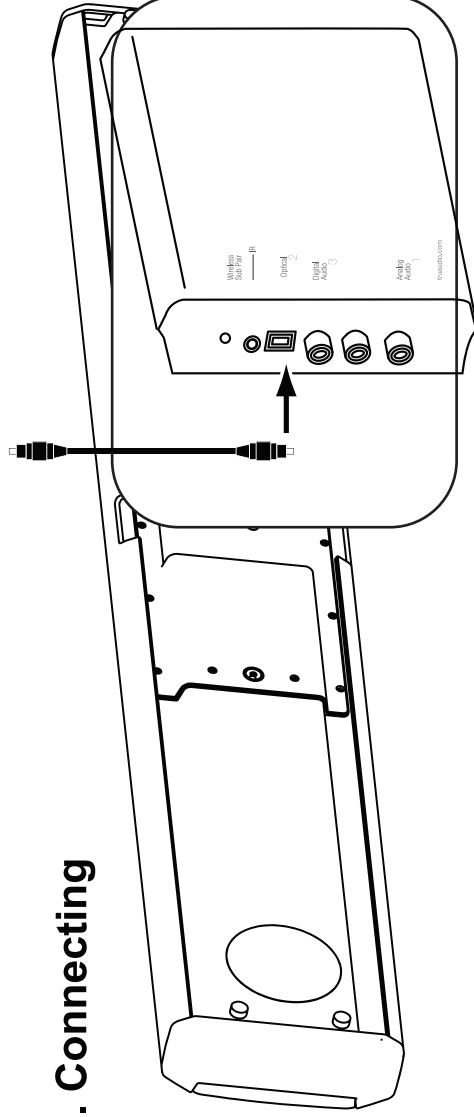
Attach the soundbar to bracket by hanging it along the upper channel of the bar.



Quick Guide - SLIM-PWR-44



3. Connecting

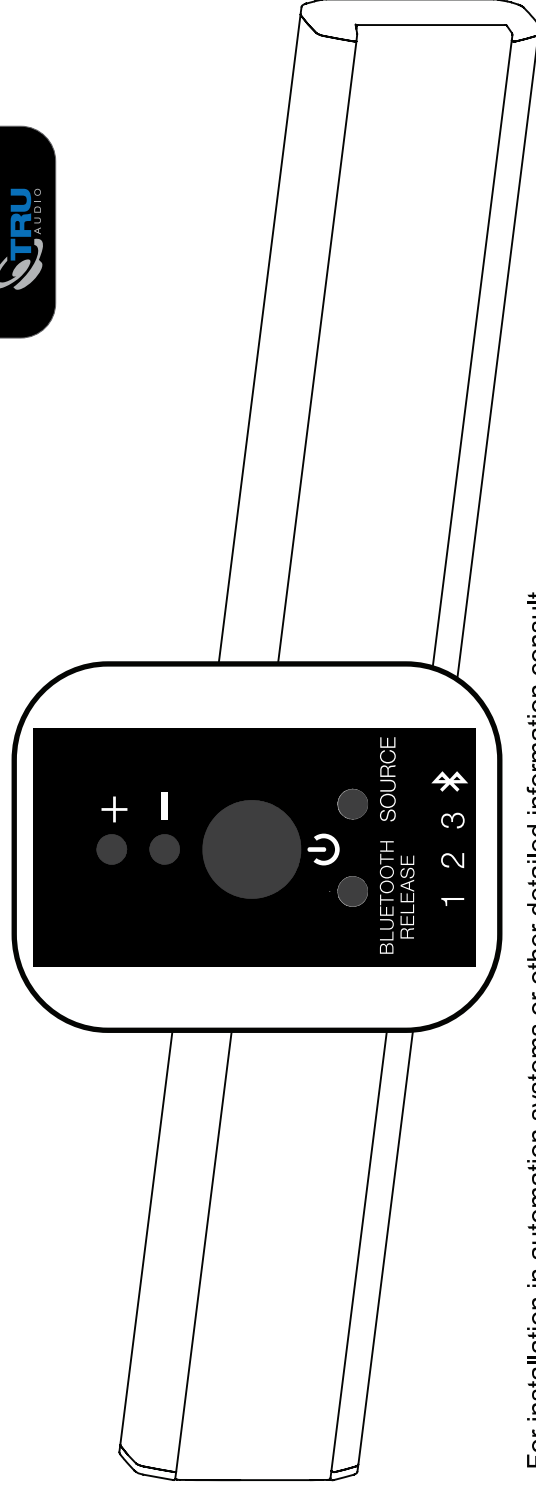
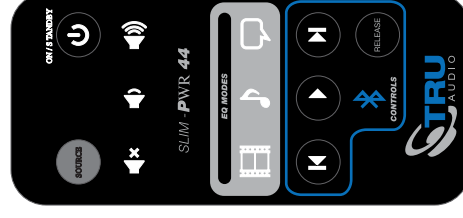


Once you have placed the soundbar, use the appropriate inputs to connect the soundbar to the output of a TV or other source. Then plug the AC power cord into the back of the soundbar and into an electrical outlet. If necessary, adjust appropriate TV settings to enable TV sound output to the soundbar and disable TV sound.

4. Control

The included remote provides basic functions such as: turn the system on/off, adjust volume, switch inputs, and toggle three discrete sound modes. Each EQ mode can be toggled on or off with the same button press. Major TV brand remotes can be used to adjust the volume of the soundbar out of the box (this feature can be disabled). Use the Bluetooth Release button to disconnect any current bluetooth connection and make the soundbar available to pair with a new device.

Remote



For installation in automation systems or other detailed information consult the product manual online at TruAudio.com. The IR Hex codes are also available as an online resource.

WARNING

- TO PREVENT FIRE OR SHOCK HAZARD. DO NOT EXPOSE THIS APPLIANCE TO RAIN OR MOISTURE.
- THIS APPLIANCE SHALL NOT BE EXPOSED TO DRIPPING OR SPLASHING WATER AND THAT NO OBJECT FILLED WITH LIQUIDS SUCH AS VASES SHALL BE PLACED ON APPARATUS.



This symbol is intended to alert the user to the presence of uninsulated “dangerous voltage” with in the product’s enclosure that may be of sufficient magnitude to constitute risk of electric shock to persons.



This symbol is intended to alert the user to the presence of important operation and maintenance (servicing in the literature accompanying the appliance).

IMPORTANT SAFETY INSTRUCTIONS

Electricity is used to perform many useful functions, but it can also cause personal injuries and property damage if improperly handled. This product has been engineered and manufactured with the highest priority on safety. However, improper use can result in electric shock and / or fire. In order to prevent potential danger, please observe the following instructions when installing, operating and cleaning the product. To ensure your safety and prolong the service life of your Sound Bar, please read the following precautions carefully before using the product.

1. Read these instructions.
2. Keep these instructions.
3. Heed all warnings.
4. Follow all instructions.
5. Do not use this apparatus near water.
6. Clean only with dry cloth.
7. Do not block any ventilation openings. Install in accordance with the manufacturer’s instructions.
8. Do not install near any heat sources such as radiators, heat registers, stoves, or other apparatus (including amplifiers) that produce heat.
9. Do not defeat the safety purpose of the polarized or grounding-type plug. Apolarized plug has two blades with one wider than the other. A grounding type plug has two blades and a third grounding prong. The wide blade and the third prong are provided for your safety. If the provided plug does not fit into your outlet, consult an electrician for replacement of the obsolete outlet.
10. Protect the power cord from being walked on or pinched particularly at the plugs, convenience receptacles, and the point where they exit from the apparatus.
11. Only use attachments/accessories specified by the manufacturer.
12. Use only with the cart, stand, tripod, bracket, or table specified by the manufacturer, or sold with the apparatus. When a cart is used, use caution when moving the cart/apparatus combination to avoid injury from tip-over.
13. Unplug this apparatus during lightening storms or when unused for long periods of time.
14. Refer all servicing to qualified service personnel. Servicing is required when the apparatus has been damaged in any way, such as power-supply cord or plug is damaged, liquid has been spilled or objects have fallen into the apparatus, the apparatus has been exposed to rain or moisture, does not operate normally, or has been dropped.

NOTE: This equipment has been tested and found to comply with the limits for a Class B digital device, pursuant to Part 15 of the FCC Rules. These limits are designed to provide reasonable protection against harmful interference in a residential installation.

This equipment generates, uses and can radiate radio frequency energy and, if not installed and used in accordance with the instructions, may cause harmful interference to radio communications. However, there is no guarantee that interference will not occur in a particular installation. If this equipment does cause harmful interference to radio or television reception, which can be determined by turning the equipment off and on, the user is encouraged to try to correct the interference by one or more of the following measures:

- Reorient or relocate the receiving antenna.
- Increase the separation between the equipment and receiver.
- Connect the equipment into an outlet on a circuit different from that to which the receiver is connected.
- Consult the dealer or an experienced radio/TV technician for help