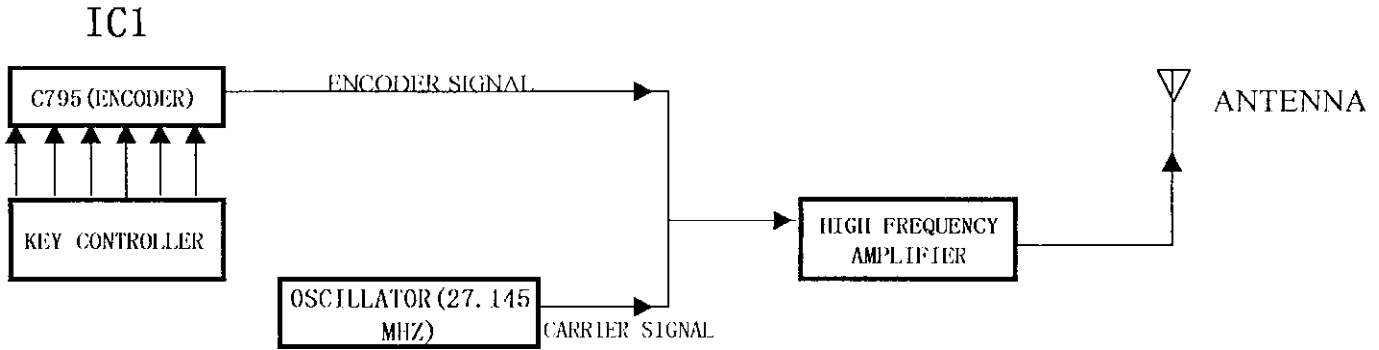


Remote Electronics Skateboard Circuit Diagram

FCC ID: OYY98188

TRANSMITTER



RECEIVER

