

SPECIFICATION FOR APPROVAL

Manufacturer: Shenzhen Four Seas Global Link Network Technology Co., Ltd.

Address: Room 607-610, Block B, TAOJINDI Electronic Business Incubation Base, Tenglong Road,
Longhua District, Shenzhen, China

Antenna name: 2.4/5.8G Antenna

Model: ZLYD01NP2D32A

Test labs: Shenzhen Four Seas Global Link Network Technology Co., Ltd.

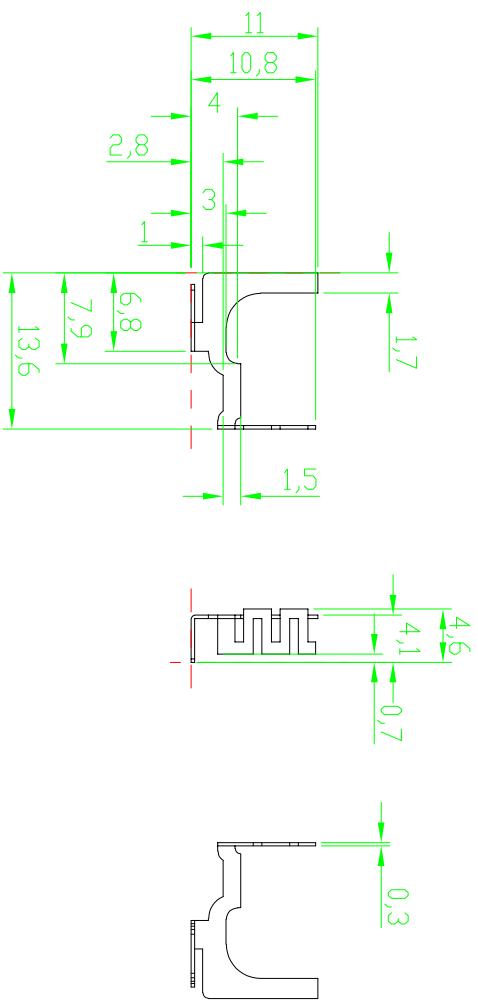
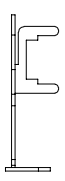
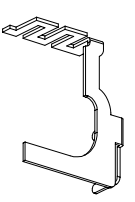
Specification

Main technical specifications	
Frequency Range (MHZ)	2400~2500/ 5150~5800
Impedance(Ω)	50
Gain(dBi)	1.5
VSWR	≤ 1.92
mitted Power	10W
Polarization	Linear, Vertical
Type	DIP
Physical Properties	
Antenna Base	Oceanic copper
Operating Temp	-20 $^{\circ}$ C~+65 $^{\circ}$ C
Storage Temp	-30 $^{\circ}$ C~+75 $^{\circ}$ C

Finished product map



序号	修改内容	修改时间	备注
1			



比例 2:000

技术要求:

1. 外形参考2D图，测量尺寸公差按照产品实配;
2. 表面不能有毛刺、锐边、刮花;
3. 检验时实际配合底壳、参照样品;
4. 符合环保要求。

未标注的尺寸公差

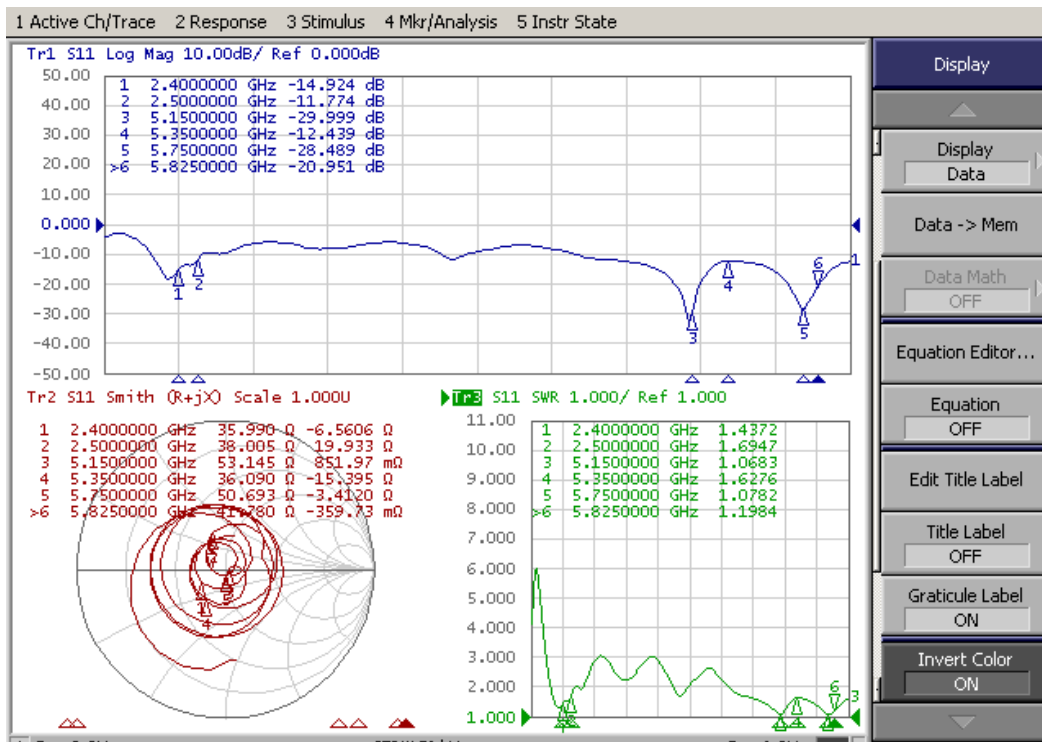
尺寸范围 (mm)	公差 (mm)	角度
0 < L ≤ 10	±0.05	±0.5°
10 < L ≤ 50	±0.10	
50 < L ≤ 100	±0.15	
100 < L ≤ 250	±0.20	

深圳四海众联网络科技有限公司

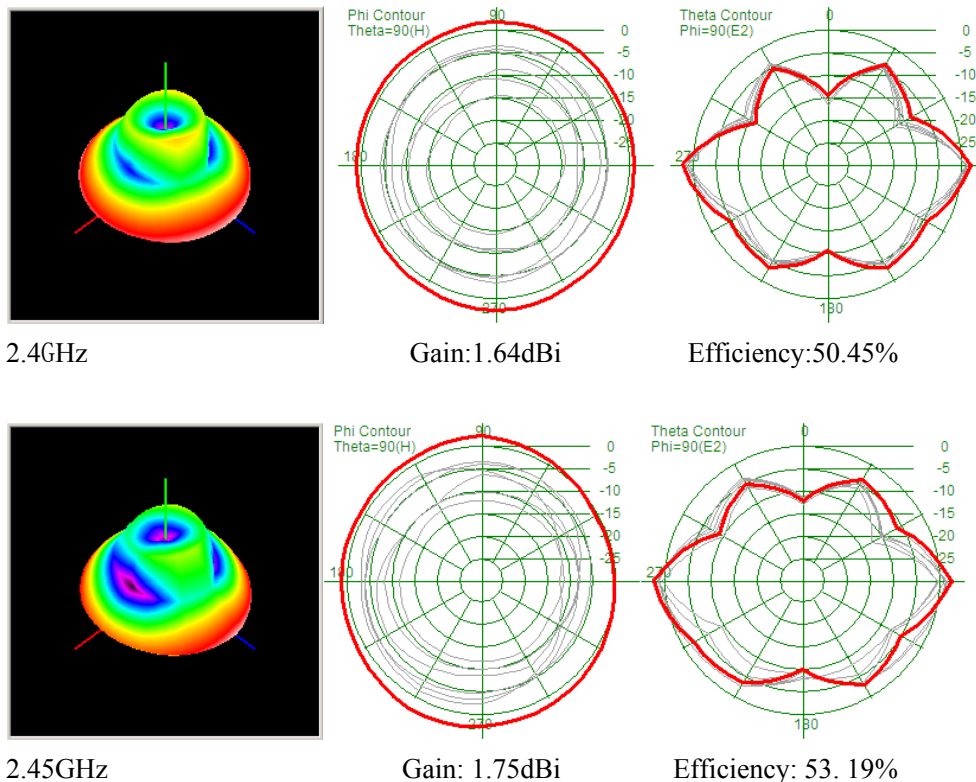
物料编码:	视角:	物料名称:	单位:
物料名称:	物料:	版次:	mm
表面处理:	日期:	20240617	A
产品型号:	审核:		页码:
	批准:		比例:
			1/1

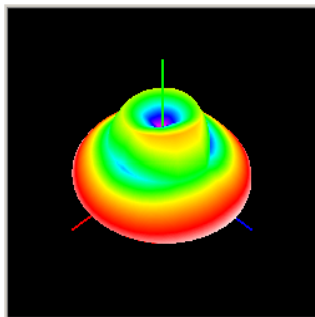
Test report

Test report of network analyzer

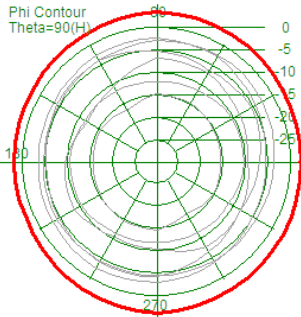


2D、3DRadiation Pattern

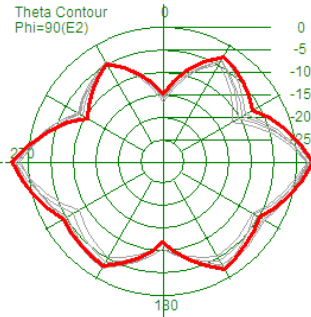




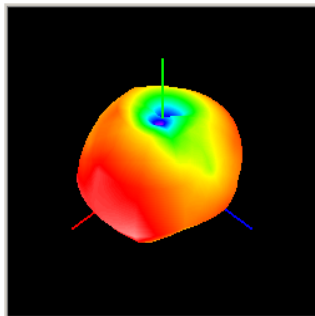
2.5GHz



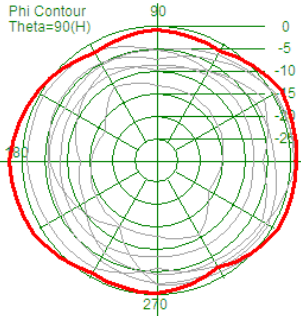
Gain: 1.62dBi



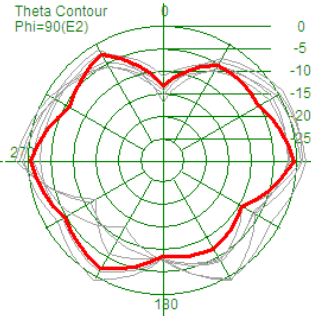
Efficiency: 51.21%



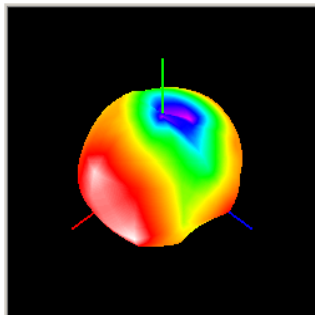
5.15GHz



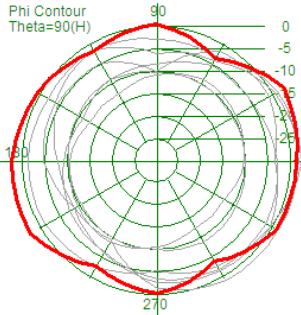
Gain: 1.87dBi



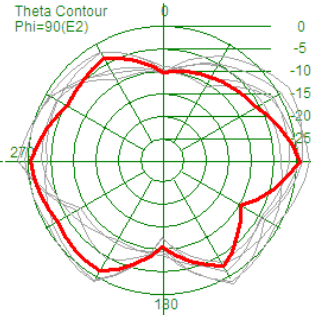
Efficiency: 53.57%



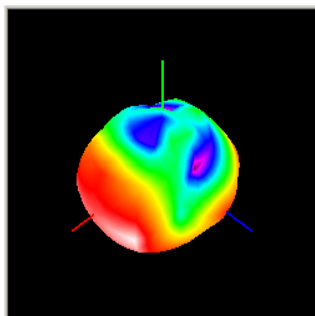
5.35GHz



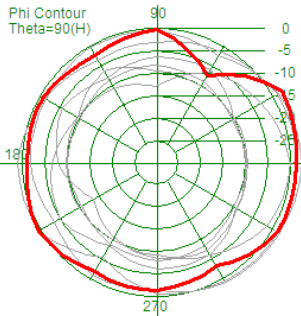
Gain: 1.82dBi



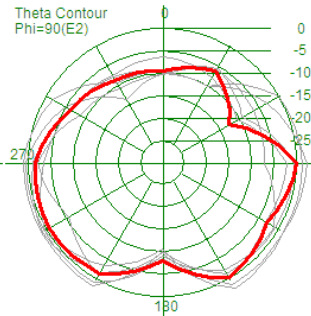
Efficiency: 54.03%



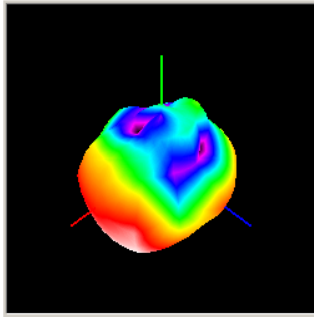
5.75GHz



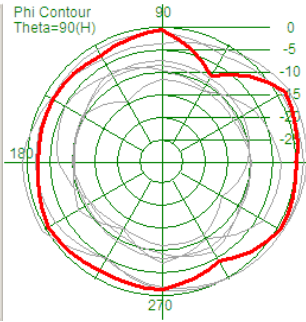
Gain: 1.96dBi



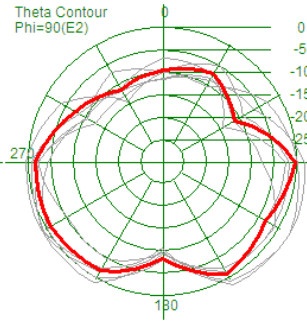
Efficiency: 55.42%



5.825GHz



Gain: 2.11dBi



Efficiency: 56.39%