

4. TEST REPORT

4.1 RF Power Measurements

Figure 4-1 shows the test equipment setup for the RF power measurements.

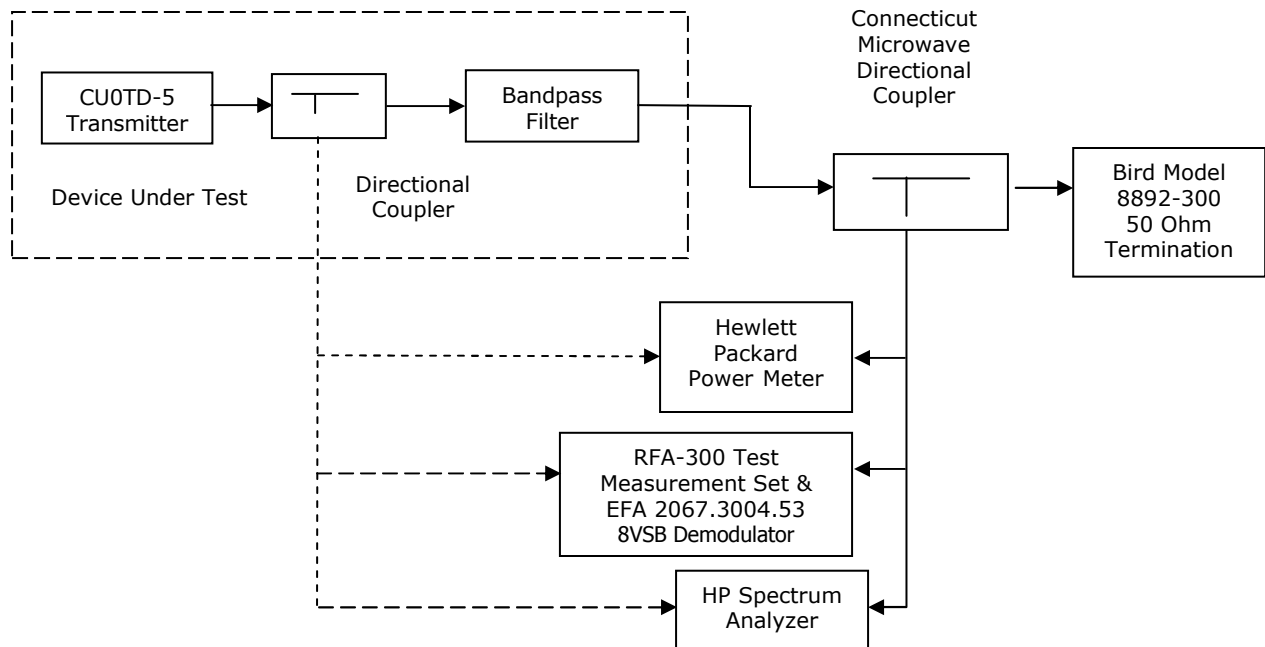


Figure 4-1. Test Equipment Setup for RF Power Measurements

The output power of the CU0TD-5 was adjusted to obtain 150 watts average RF output as observed on the power meter. At this power level, the final

Measured Power: +11.8 dBm
 Coupling Loss: -40.0 dB
 Power: +51.8 dBm
 Power = 150 Watts

With the power level properly set to 150 watts average, all required tests were performed and recorded in the following sections.

4. 2 Modulation Characteristics

The modulator tray incorporates a modulation technique known as 8-Level Vestigial Side-band (8-VSB), which uses a layered digital architecture and a single carrier frequency. A pilot tone is provided, to allow rapid acquisition of the signal by receivers. The 8-VSB system transmits a serial data bit stream at a rate of 19.4 Mbps in a 6 MHz television channel. This type of transmission is far less susceptible to propagation impairments such as multi-path, noise and interference as compared to analog transmissions. The modulator tray is fully adaptive to correct linear and nonlinear distortions.

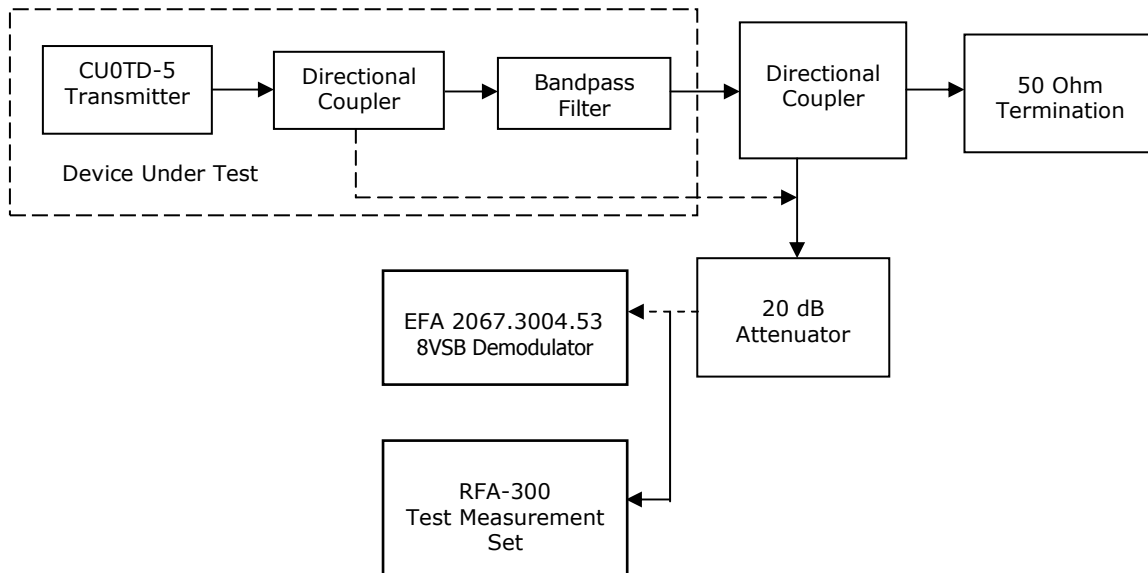


Figure 4-2. Typical Demodulation Test Setup

4. 3 Error Vector Magnitude (EVM) and Signal to Noise Ratio (SNR)

The Rohde & Schwarz EFA Signal Analyzer was used to measure that the un-equalized patterns are within the ATSC/FCC EVM limit of 4% and SNR limit of 27db.

ATSC/VSB MEASURE: VSB PARAMETERS			
PILOT FREQ 584.31 MHz	CHANNEL 33	ATTEN : 15 dB -29.3 dBm	
TRANSMISSION:			CONSTELL DIAGRAM...
PHASE JITTER (RMS)		--- °	FREQUENCY DOMAIN...
SIGNAL/NOISE (LOW Q)		29.5 dB	TIME DOMAIN...
SUMMARY:			VSB PARA PILOT VALUE.
MER (REAL, RMS)		29.5 dB	
MER (REAL, MIN)		12.9 dB	
MER (REAL, RMS)		3.35 %	
MER (REAL, MAX)		> 21.60 %	
			ADD. NOISE OFF

Figure 4-3. SNR Measurement

4. 4 Frequency Response

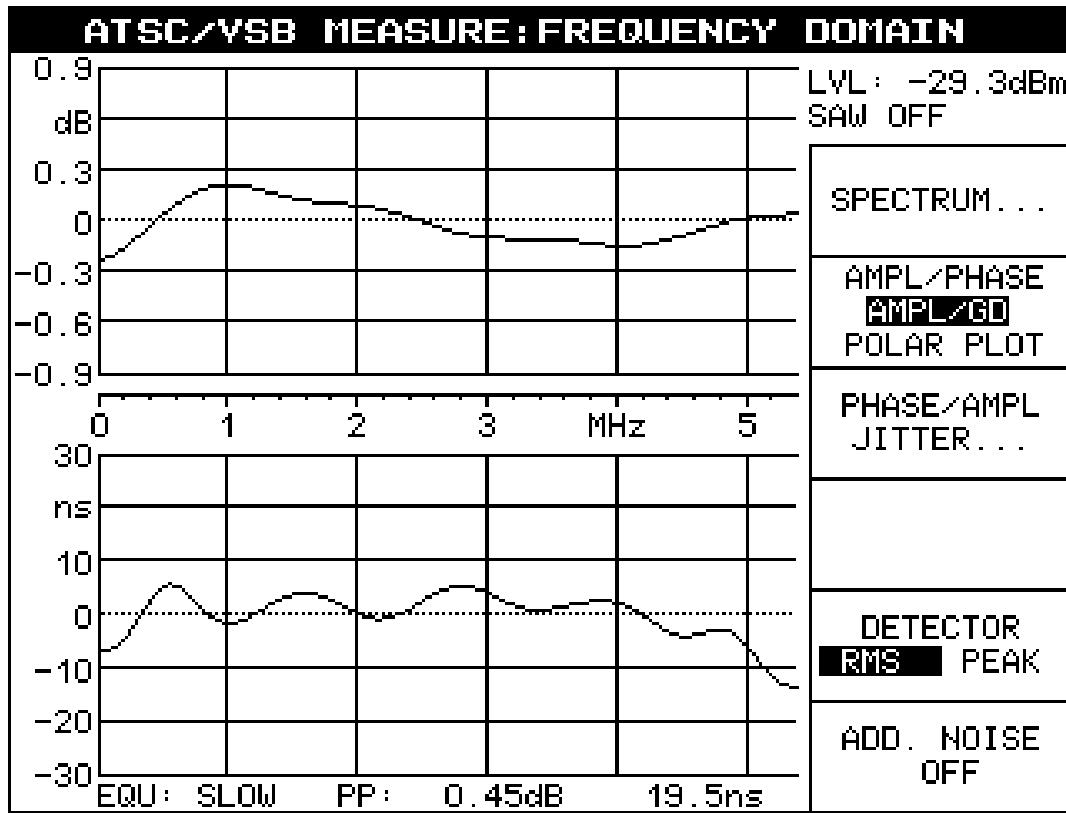


Figure 4-4. Frequency Response Plot

4.5 Peak to Average

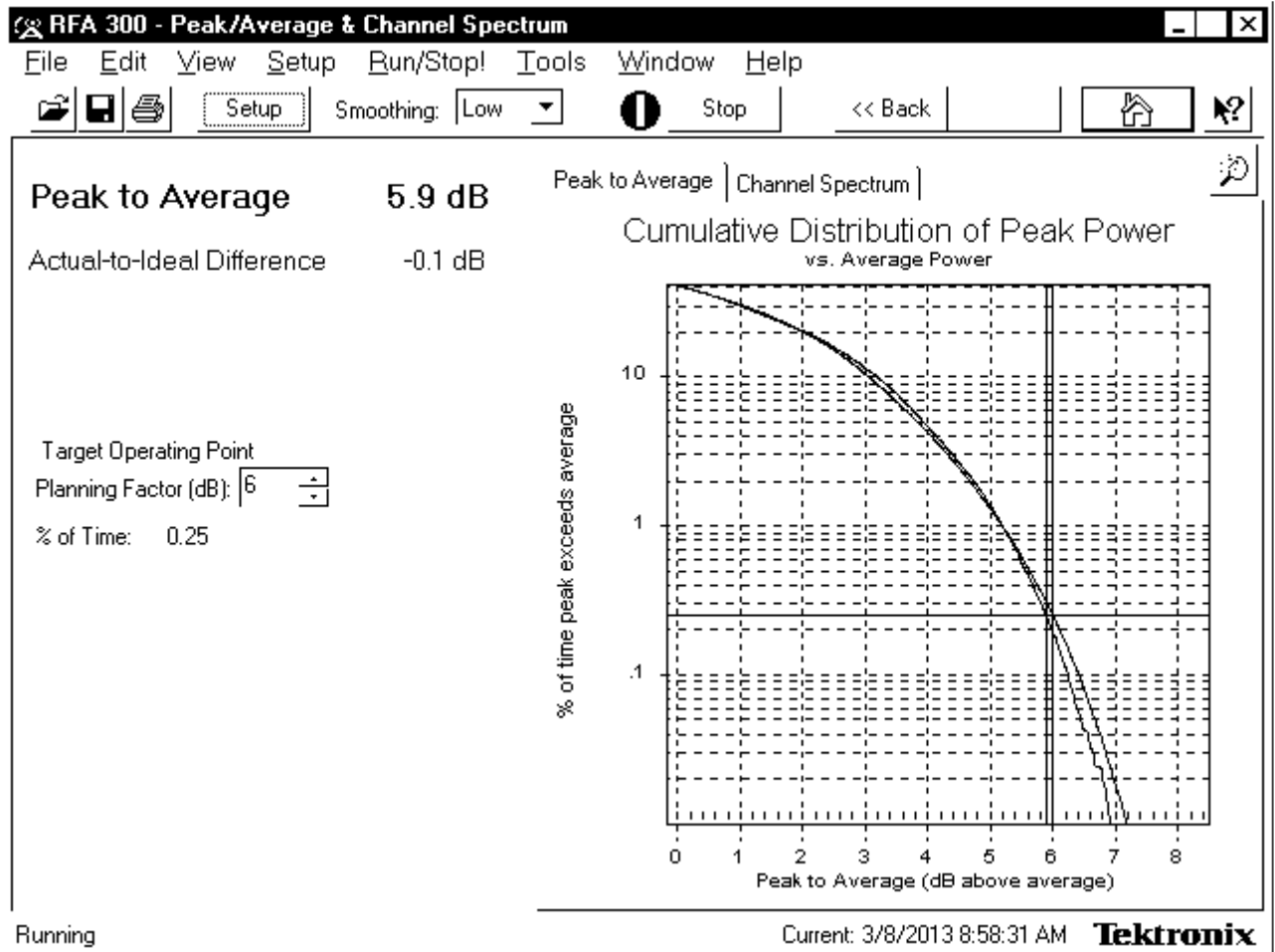


Figure 4-5. Peak to Average Plot

4.6 Phase Noise

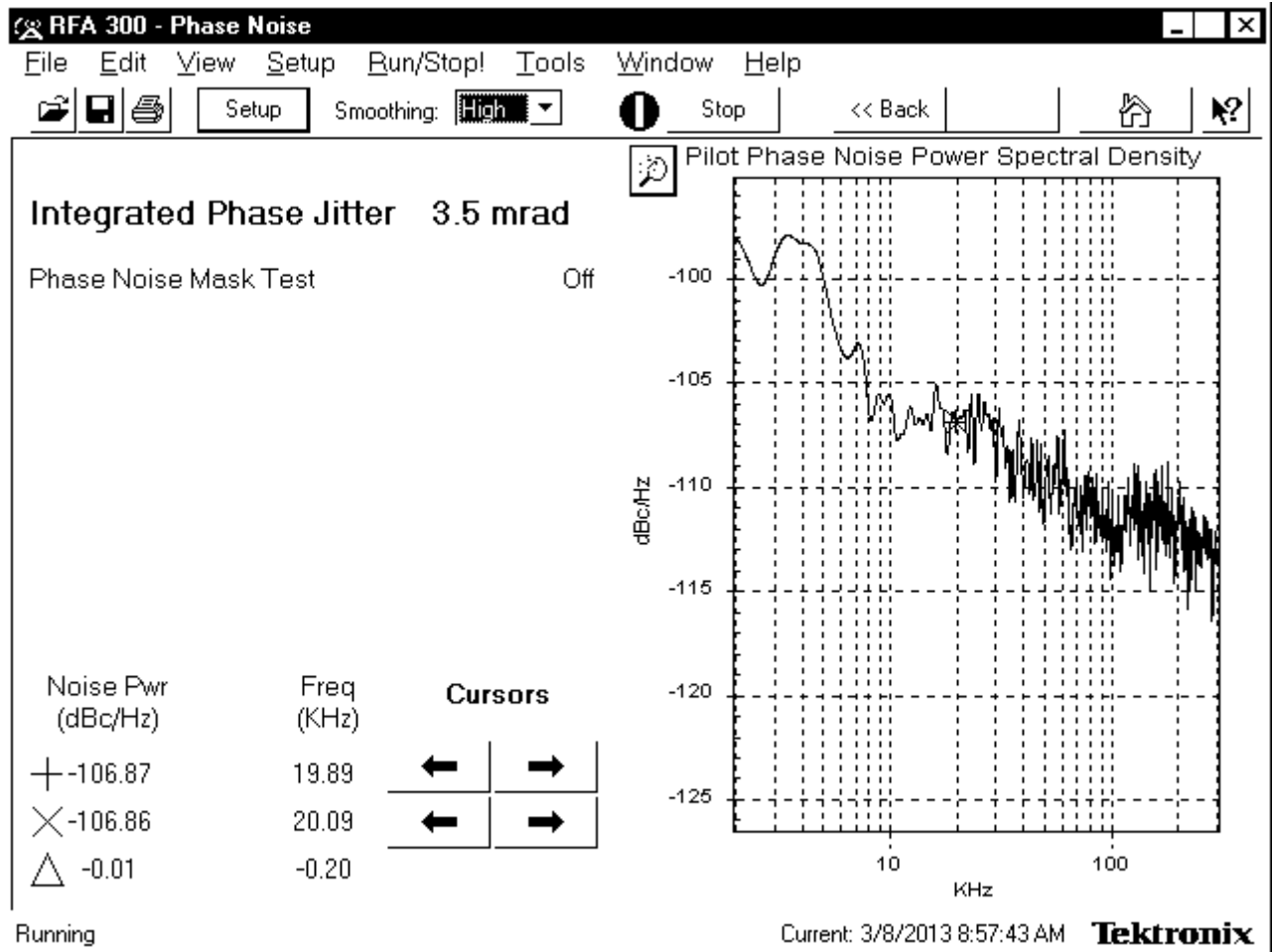


Figure 4-6. Phase Noise Plot

4.7 Occupied Bandwidth

Using the test setup in Figure 4-2, with the transmitter operating at maximum power, a photograph of the transmitter occupied bandwidth spectrum was taken and is shown in Figure 4-7.

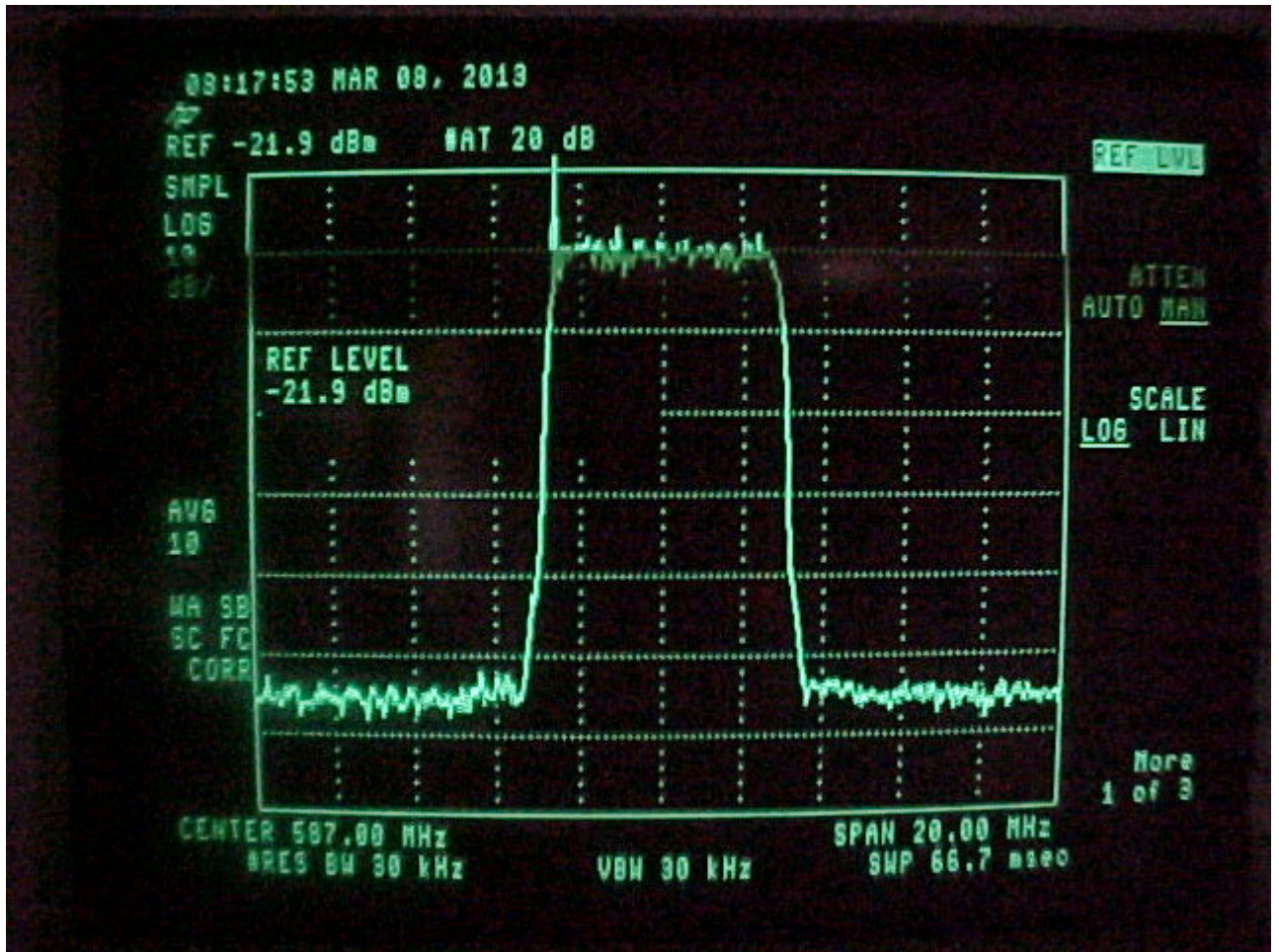


Figure 4-7. Channel Occupied Bandwidth (Post-Filter)

4.8 Conducted Spurious Emissions

The Hewlett Packard Spectrum Analyzer was used to measure harmonics before mask filter. The levels were then added to the filter attenuation at the 2nd and 3rd harmonics for a reading of less than -76dB at the output of the mask filter.

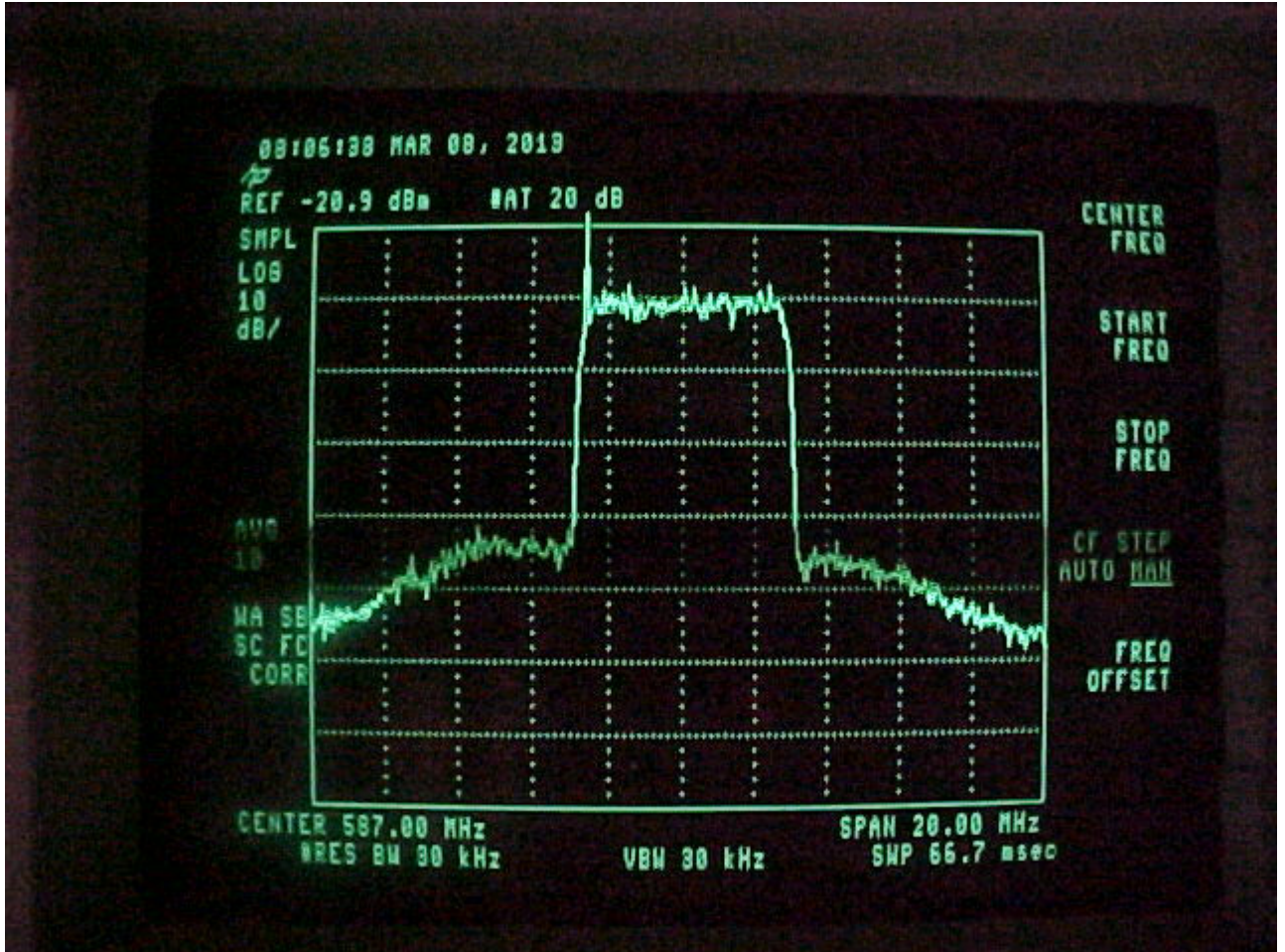


Figure 4-8A. Reference (587.00 MHz) = 0dBc (Pre-Filter)

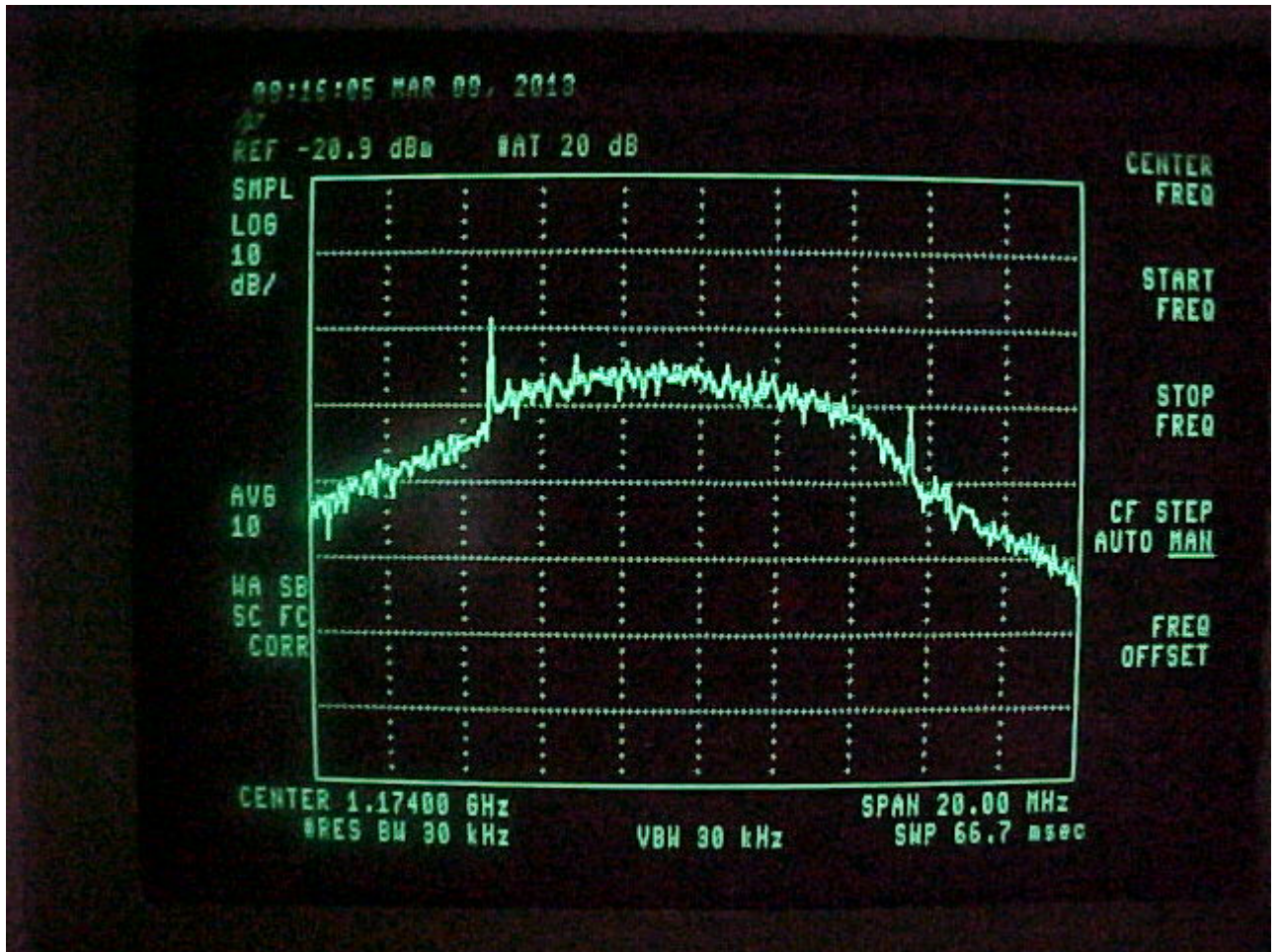


Figure 4-8B. Second Harmonic (1174.00 MHz) = -15 dBc(Pre-Filter)

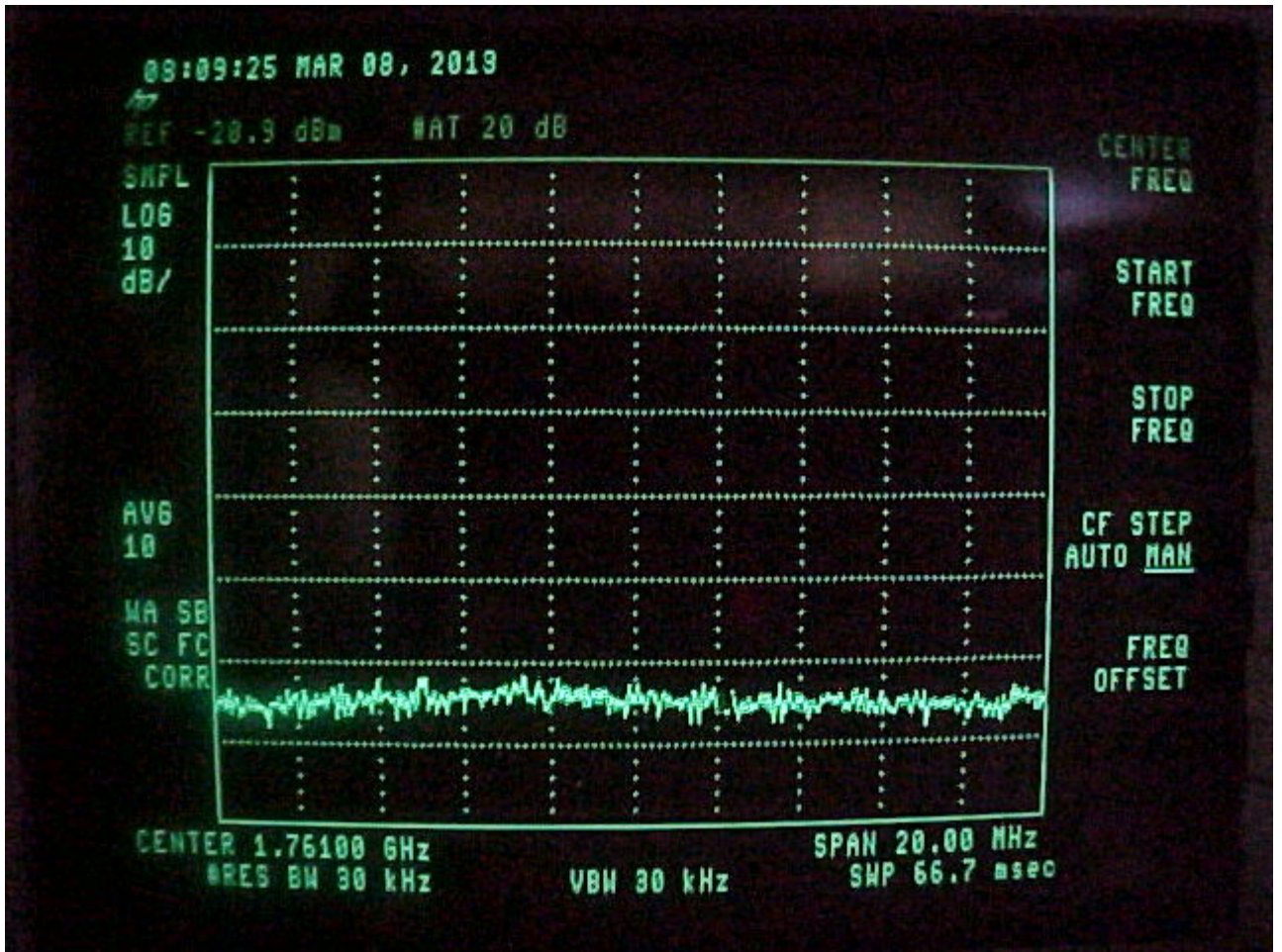
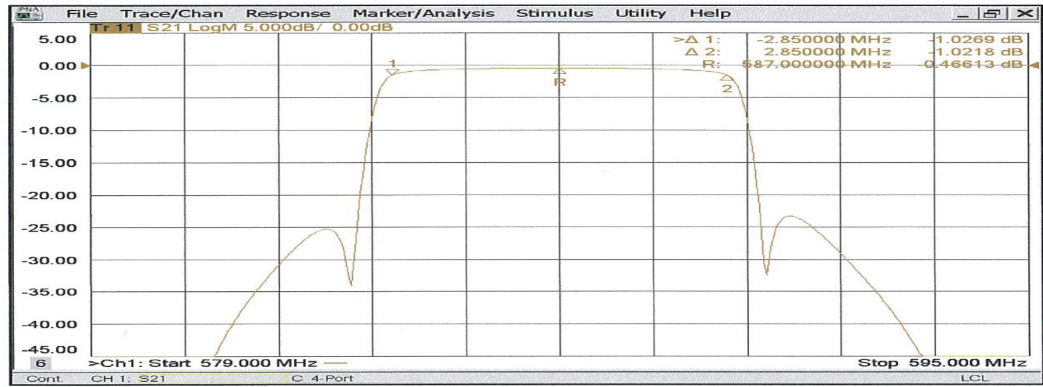


Figure 4-8C. Third Harmonic (1761.00 MHz) = <math><-53\text{ dBc}</math> (Pre-Filter)

Figure 4-8D. Bandpass Filter response



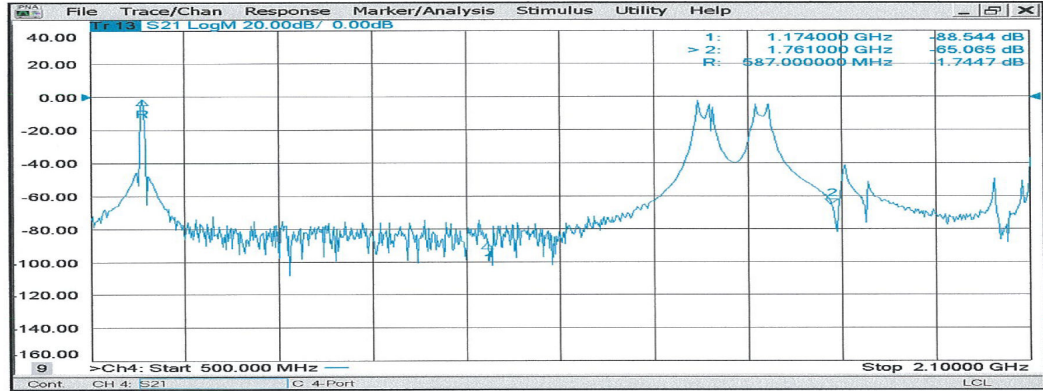


Figure 4-8E. Bandpass Filter Harmonic response

Figure 4-8F. Bandpass Filter response

Harmonic (MHz)	Level Relative to fundamental	Filter Response (dB)	Bandwidth correction (dB)	Total (dB)
Fundamental (587)	ref	ref	---	ref
Second (1174)	-15	-88.5	10.3	-113.8
Third (1761)	-53	-65	10.3	-128.3

Table 4-1. Post Filter Harmonic Levels

The FCC rules require the energy to be measured in 500 kHz, and compared to the total channel power. The channel power is spread out evenly over an occupied bandwidth of 5.4 MHz. The total channel power is $10 \cdot \log(5.4/0.5) = 10.3$ dB

Frequency	Relative Level (dBm)	FCC Requirement (dBm)
Fundamental	0 dB (reference)	---
Second Harmonic	-113.8	-76
Third Harmonic	-128.3	--76

Part 74.794 of the Rules states:

(ii) Stringent mask. In the first 500kHz from the channel edges, emissions must be attenuated no less than 47 dB. More than 3 MHz from the channel edges, emissions must be attenuated no less than 76 dB. At any frequency between 0.5 and 3 MHz from the channel edges, emissions must be attenuated no less than the value determined by the following formula: $A(\text{dB}) = 47 + 11.5 (Df - 0.5)$

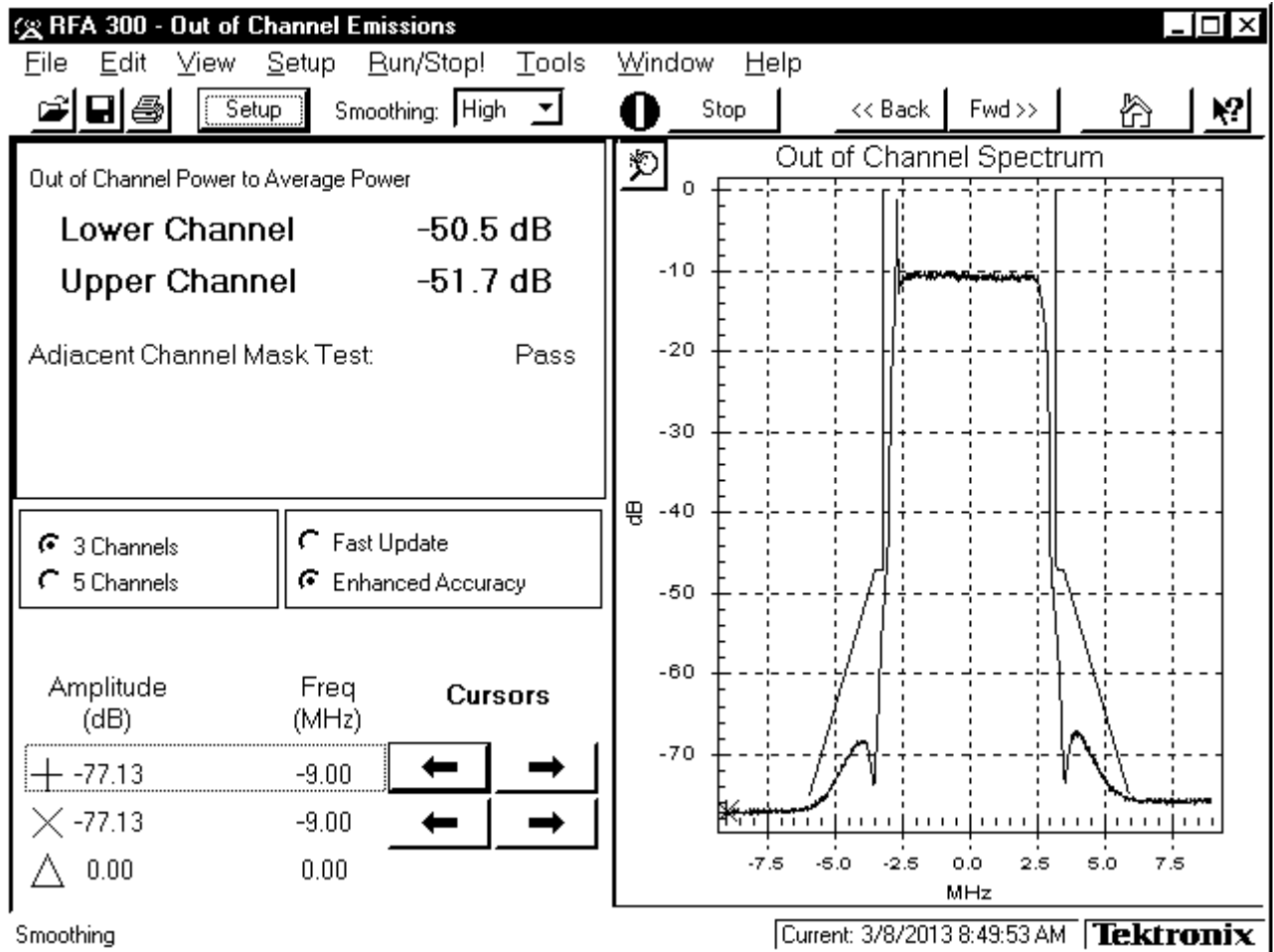


Figure 4-8J. Out of Band Emissions (Post Filter)

4.9 Radiated Emissions

Using the test setup shown in Figure 4-1, with the transmitter operating at full power, the spectrum analyzer was moved 3 meters from the transmitter and connected to a dipole antenna cut to the 587 MHz. This antenna was oriented to maximize the received level and the data was recorded. The antenna was then cut to the local oscillator frequency and the second and third through harmonic frequencies of the transmitter, and all of the signals received, were maximized by antenna orientation and their absolute levels were recorded.

With these various antennas, the only measurable level observed was at 587 MHz. This level is shown below in Table 4-2 and an analysis of the relative field and strength is provided in the following paragraphs.

Table 4-2. Measurable Levels Observed in Frequency Spectrum

FREQUENCY	MEASURED LEVEL (INTO 50 Ω)
587.00	-42 dBm

The spectrum analyzer had a maximum sensitivity of -110 dBm during these tests.

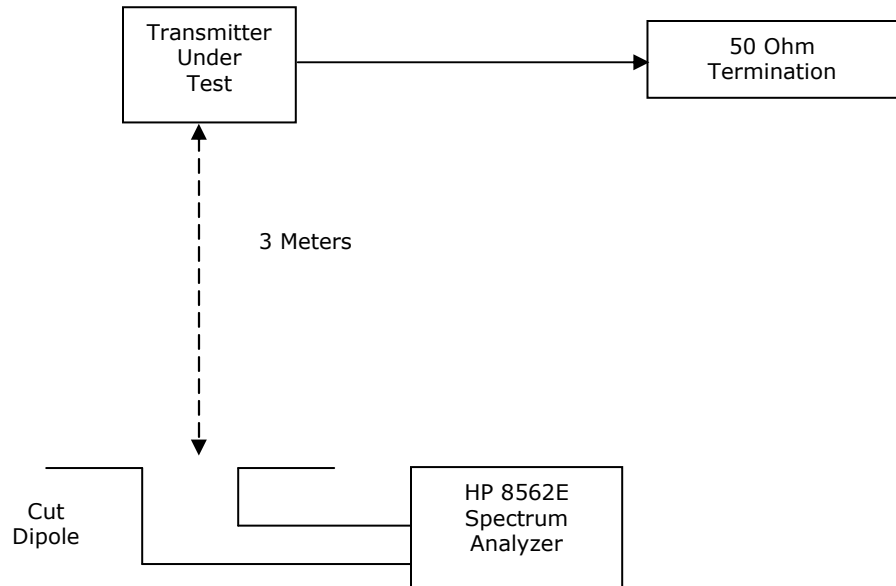


Figure 4-9. Test Setup for Measuring Radiated Emissions

One level was compared to the following reference level.

If all of the power of the transmitter was radiated by an isotropic radiator, the power density at 3 meters would be:

$$P = P_t / 4\pi R^2 = 200 / 4\pi \cdot (3)^2 = 1.76 \text{ w/m}^2$$

Using a dipole-transmitting antenna increases this by 1.64 to:

$$1.64 \times .44 = .778 \text{ w/m}^2$$

If a dipole-receive antenna of area $1.64 \times \lambda^2 / 4\pi$ is used to receive the signal, the received level would be: +18 dBm

The receive level at -42 dBm was therefore at -60 dB relative to this level.

The cabinet radiation was also checked with the receive dipole antenna cut to 587.00 MHz, within very close proximity to the trays of the transmitters, and the received level that was recorded at no time exceeded a power density in excess of 0 dBm:

$$P_r/A = 10 \text{ mw/cm}^2$$

This level is far less than the current or proposed standard for safe radiation levels.

4.10 Frequency Stability

The transmitter is designed to operate using either an internal or external 10 MHz precise reference oscillator. The frequency stability of this reference determines the frequency stability of the transmitter.

The frequency determining variables of the transmitter may be defined as follows:

F_{LO1} = Desired local oscillator 1 frequency

F_{LO2} = Desired local oscillator 2 frequency

F_{IF} = Desired IF oscillator frequency

F_R = Desired external reference oscillator frequency

F_{RF} = Desired RF output frequency

E_{LO1} = Local oscillator 1 frequency offset error

E_{LO2} = Local oscillator 2 frequency offset error

E_{IF} = IF oscillator frequency offset error

E_R = External reference oscillator frequency offset error

E_{RF} = RF output frequency error

The PLL circuitry maintains a constant ratio between the external reference frequency and the output frequency of the oscillator. This ratio is defined below for both the LO and IF oscillators.

$$G_{LO1} = F_{LO1} / F_R$$

$$G_{LO2} = F_{LO2} / F_R$$

$$G_{IF} = F_{IF} / F_R$$

Any change in the external 10 MHz reference will effect a corresponding change in the output frequency such that the above ratios are maintained.

$$G_{LO1} = (F_{LO1} + E_{LO1}) / (F_R + E_R) = F_{LO1} / F_R$$

$$G_{LO2} = (F_{LO2} + E_{LO2}) / (F_R + E_R) = F_{LO2} / F_R$$

$$G_{IF} = (F_{IF} + E_{IF}) / (F_R + E_R) = F_{IF} / F_R$$

Solving for the change in output frequency yields:

$$E_{LO1} = E_R * (F_{LO1} / F_R) = E_R * G_{LO1}$$

$$E_{LO2} = E_R * (F_{LO2} / F_R) = E_R * G_{LO2}$$

$$E_{IF} = E_R * (F_{IF} / F_R) = E_R * G_{IF}$$

The desired RF carrier frequency is equal to the LO2 frequency minus the LO1 Frequency and the IF frequency:

$$F_{RF} = F_{LO2} - F_{IF} - F_{LO1}$$

The actual RF frequency, including any error introduced by the external reference, may be defined as follows:

$$F_{RF} + E_{RF} = (F_{LO2} + E_{LO2}) - (F_{IF} + E_{IF}) - (F_{LO1} + E_{LO1})$$

$$F_{RF} + E_{RF} = (F_{LO2} - F_{LO1} - F_{IF}) - (E_{LO2} - E_{LO1} - E_{IF})$$

$$F_{RF} + E_{RF} = F_{RF} + (E_{LO2} - E_{LO1} - E_{IF})$$

Calculating for the error of the carrier yields:

$$E_{RF} = (E_{LO2} - E_{LO1} - E_{IF})$$

$$E_{RF} = E_R (G_{LO2} - G_{LO1} - G_{IF})$$

$$E_{RF} = E_R / F_R * (F_{LO2} - F_{LO1} - F_{IF})$$

$$E_{RF} = E_R / F_R * F_{RF}$$

Therefore, the error of the RF carrier is a function of the external 10 MHz reference error.

The maximum RF frequency error for this service is +/- 1.0 KHz. The highest channel frequency for this service (CH. 69 = 803 MHz) represents the worst case condition. With these values, the maximum allowable reference error ($E_{R(max)}$) can be calculated.

$$E_{R(max)} = 12.5 \text{ Hz}$$

The required reference oscillator stability may be calculated as follows:

$$\text{Stability} = E_{R(max)} / F_R$$

$$\text{Stability} = 12.5 \text{ Hz} / 10 \times 10^6 \text{ Hz} = 1.25 \times 10^{-6}$$

Therefore, the RF frequency error of the transmitter will not exceed +/- 1.0 KHz when operated with a precise reference oscillator with a stability equal to or better than 1.25×10^{-6} .

The 10 MHz oscillator was tested over temperature and voltage below:

TEMP. (°C)	10 MHz Error
-30	5.2 Hz
-20	4.3 Hz
-10	3.6 Hz
0	2.6 Hz
+10	2.2 Hz
+20	0.2 Hz
+30	1.0 Hz
+40	1.9 Hz
+50	2.2 Hz

Line Voltage	Reference Oscillator Error
95V	0.2 Hz
115V	0.2 Hz
135V	0.2 Hz

4.10.1 Frequency Stability

The EFA 8 VSB demodulator was used to verify the pilot frequency met the frequency stability of +/- 1000 Hz.

ATSC/VSB MEASURE			
PILOT FREQ 584.31 MHz	CHANNEL 33	ATTEN : 15 dB -29.3 dBm	
SET CENTER FREQ	587.0000000 MHz	CONSTELL	
SET PILOT FREQ	584.3094406 MHz	DIAGRAM...	
CALC PILOT FREQ	584.3094307 MHz		
PILOT FREQ OFFSET	-9.9 Hz	FREQUENCY	
SYMBOL RATE OFFSET	-0.2 Hz	DOMAIN...	
.....			
MODULATION	8VSB	TIME	
MER (REAL,RMS)	29.4 dB	DOMAIN...	
MER (REAL,RMS)	3.35 %		
.....			
BER BEFORE RS	0.0E-8 (26/100)	VSB PARA-	
BER AFTER RS	0.0E-7 (20/100)	METERS...	
SEG ERR RATIO	0.0E-5 (20/100)		
SEG ERR / s	00000	RESET BER	
.....			
TS BIT RATE	19.393 Mbit/s	ADD. NOISE	
SAW	OFF	OFF	

Figure 4-12. Pilot Frequency Data

4.11 Test Equipment

The test equipment that was used to analyze the UBS-Axcera CU0TD-5 system is listed in Table 4-13.

Table 4-13. Test Equipment

MODEL	MANUFACTURER	DESCRIPTION	SERIAL #
435B	Hewlett Packard	Power Meter	2732U09080
8482B	Hewlett Packard	Power Sensor	N/A
8892-300	Bird	50 Ω Termination	2867
EFA 2067.3004.53	Rohde & Schwarz	8VSB Demodulator	100137
450029	Connecticut Microwave	Directional Coupler	891P
8562E	Hewlett-Packard	Spectrum Analyzer	03760
8714B	Hewlett-Packard	Network Analyzer	U535490409
RFA300	Tektronix	Test Measurement Set	B010226