



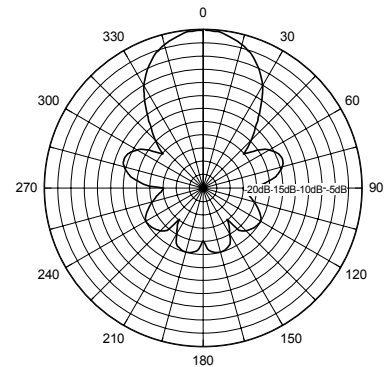
CARLSON

BROADBAND AND VOICE PRODUCTS

Log Periodic Directional UHF Antenna for RuralConnect® CPE

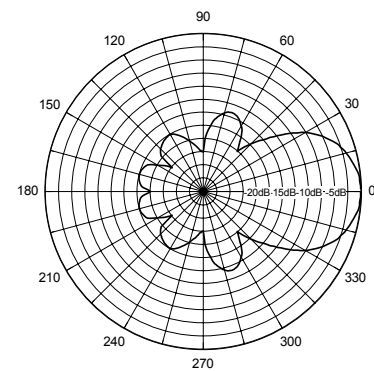


Horizontal Pattern



Gain	9 dBi
VSWR	1.5:1
Active Elements	10
Element Diameter	3/16"
Beamwidth	35° vertical, 30° horizontal
Maximum Height	14"
Maximum Length	15"
Polarization	Vertical or horizontal
Shipping Weight	2 lbs.
Connector	F-type connector
Output Impedance	75 ohm
Wind Rating	125 mph
Wind Load	8.1 lbs
Front to Back Ratio	20 dB
Power Rating	150 Watts
Material	Aluminum and brass booms

Vertical Pattern



UPS Shippable!



"UPS in shield design is a registered trademark of United Parcel Service of America, Inc. used by permission."

Made in U.S.A.

The "log periodic" directional antenna is known for its consistent wide bandwidth capabilities. This antenna displays a very flat gain across the band in long range testing. Its small size makes for easy and unobtrusive installations.

Carlson Part Number: 057-470-786-F

Specs subject to change without notice



Carlson Wireless Technologies, Inc.
2700 Foster Avenue
Arcata, CA 95521 USA

T: +1 707.822.7000
F: +1 707.822.7010
E: info@carlsonwireless.com



GSA GS-35F-0454S Made in the USA