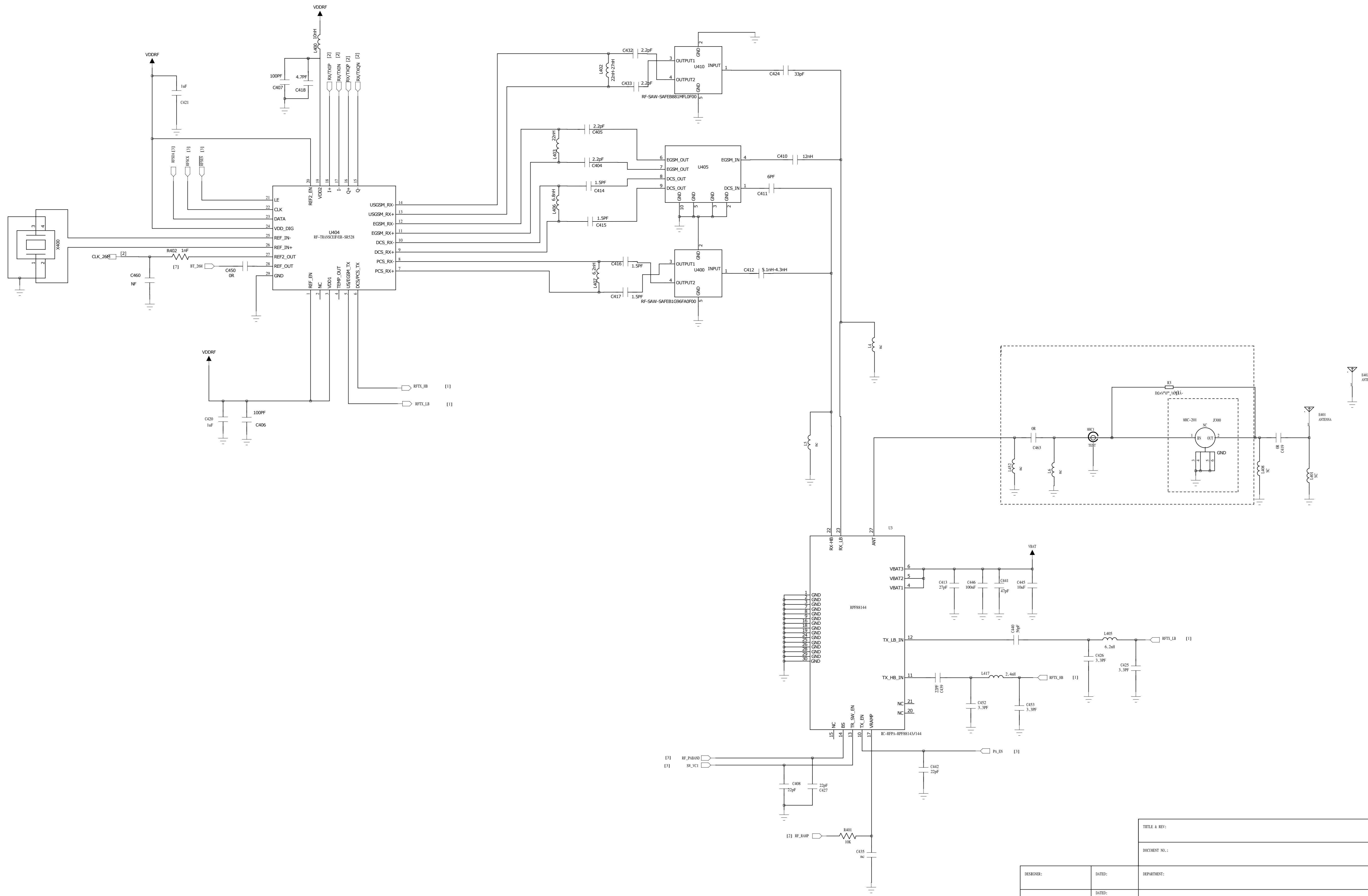
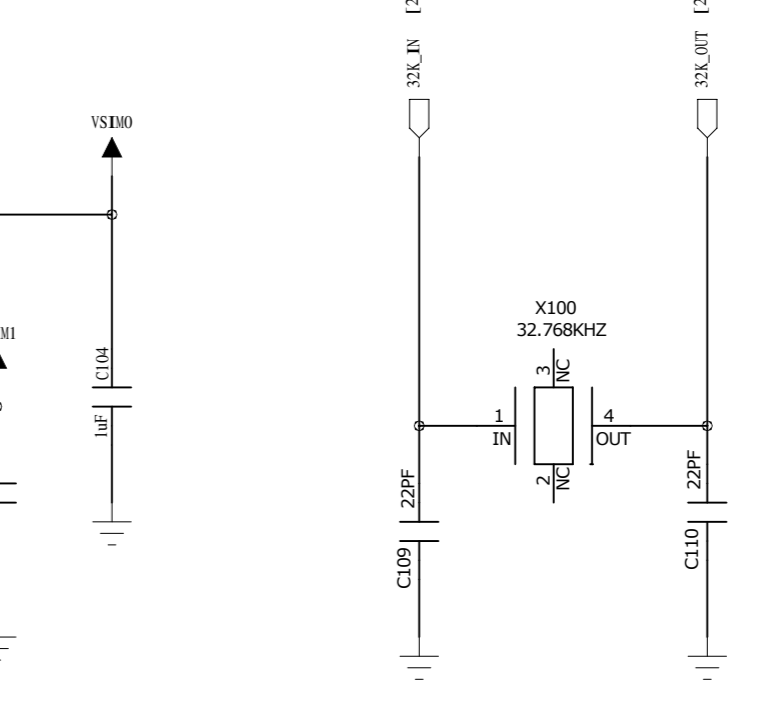
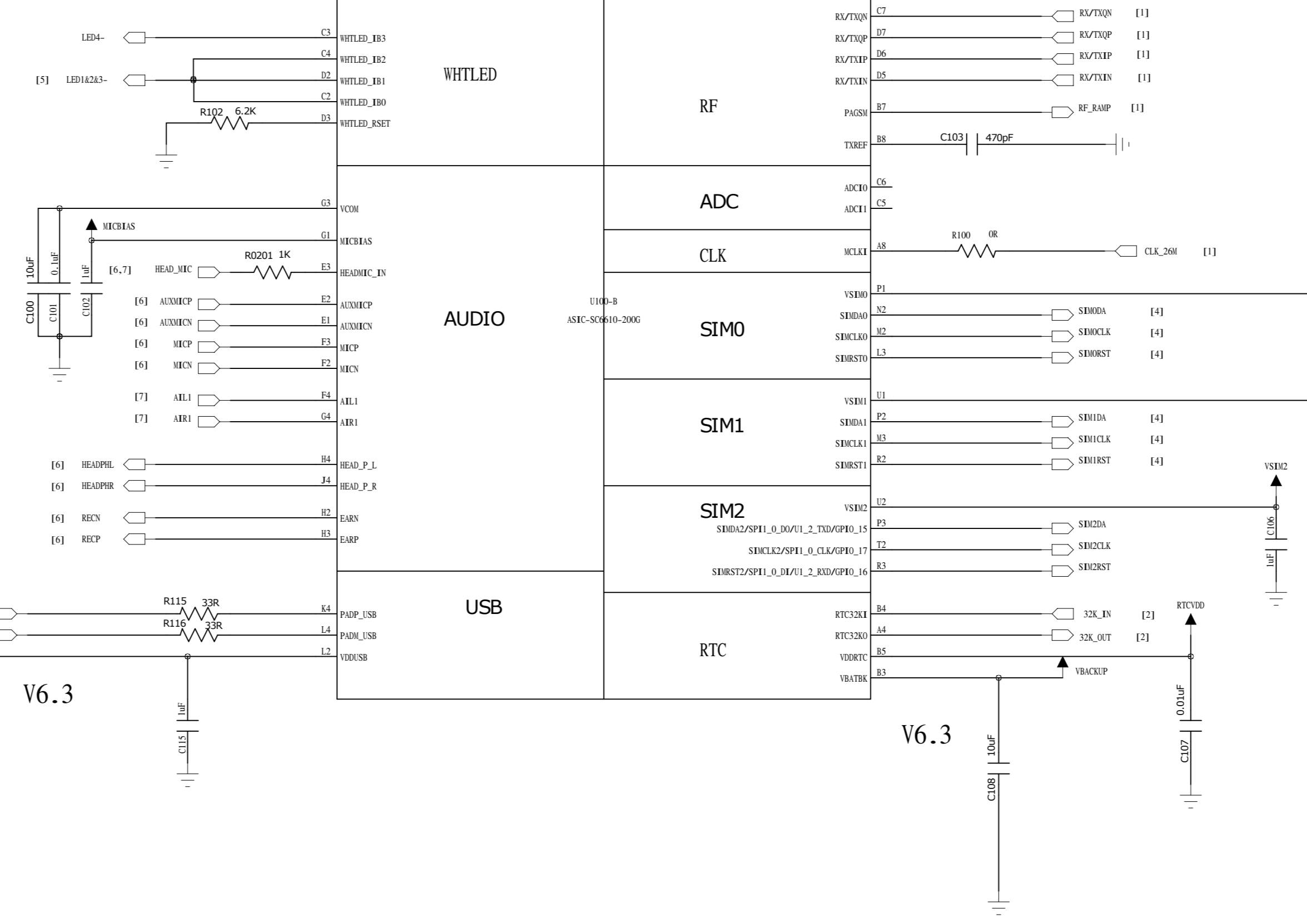
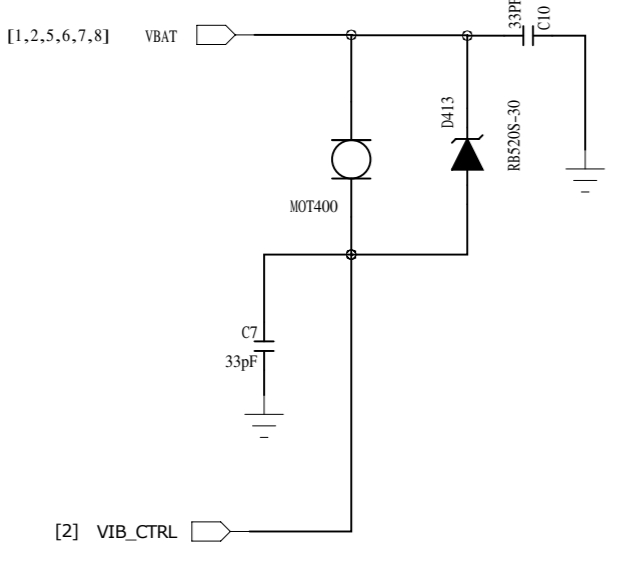
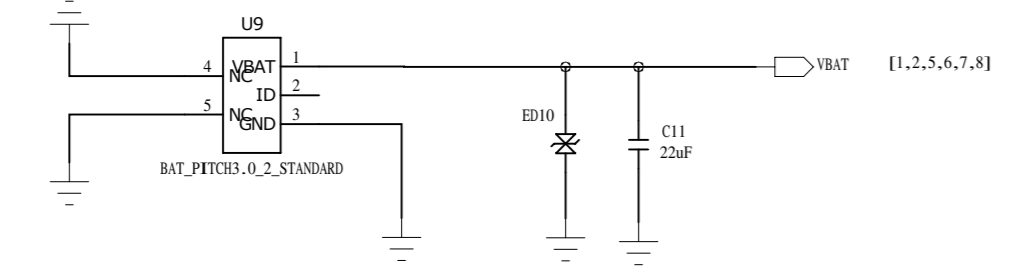
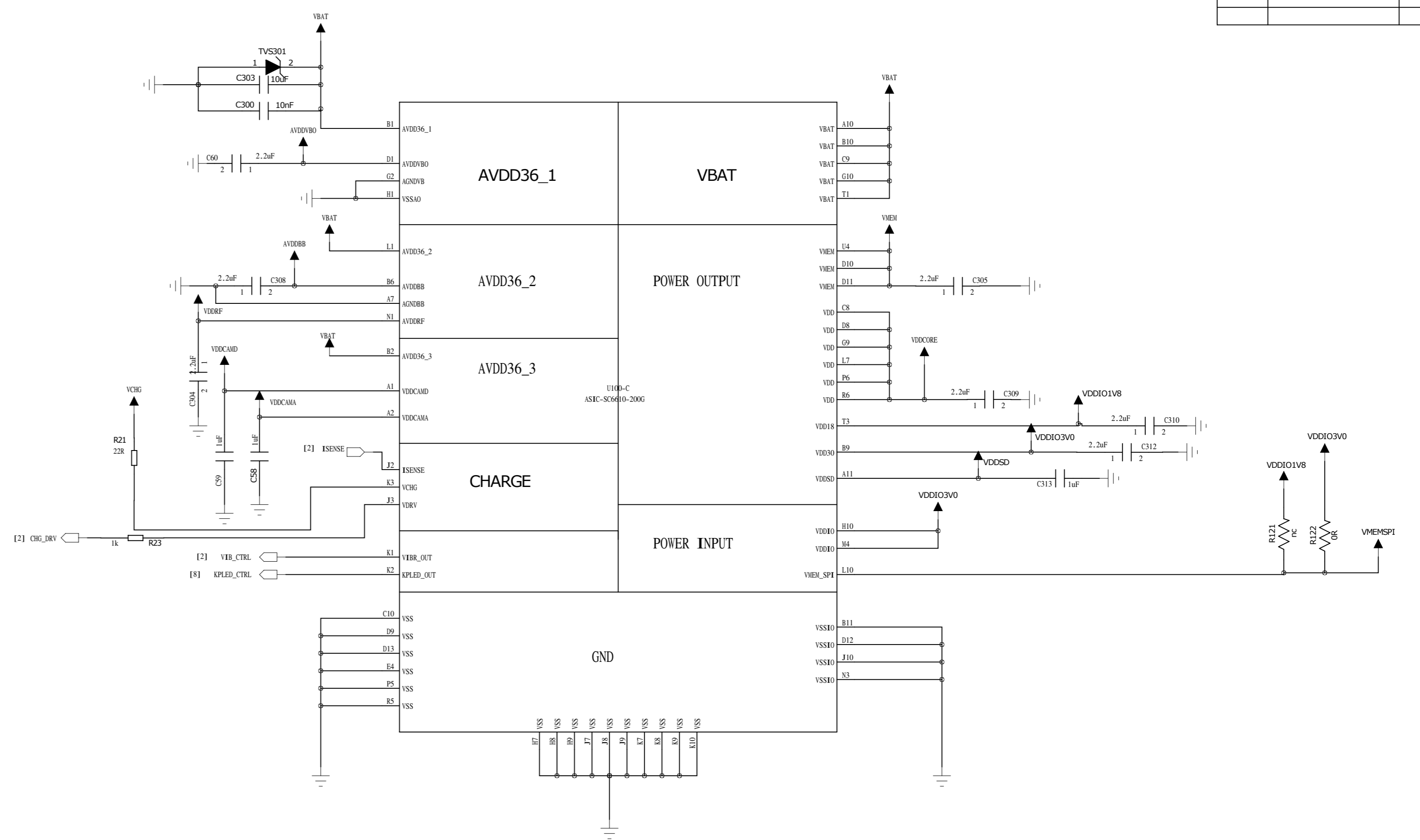
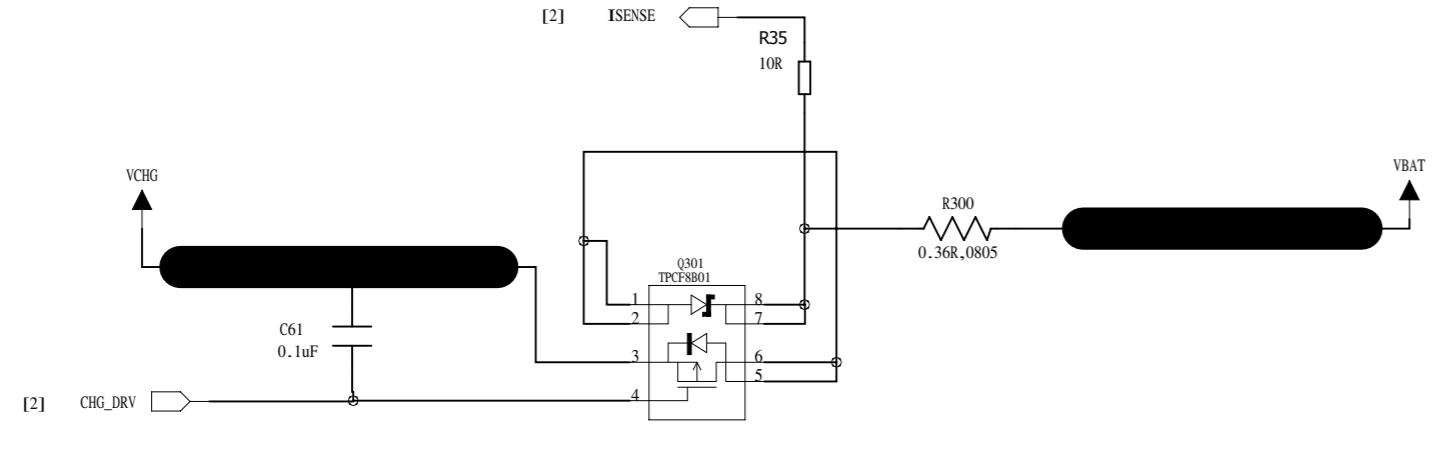


REVISION RECORD			
LTR	ECO NO.	APPROVED:	DATE:



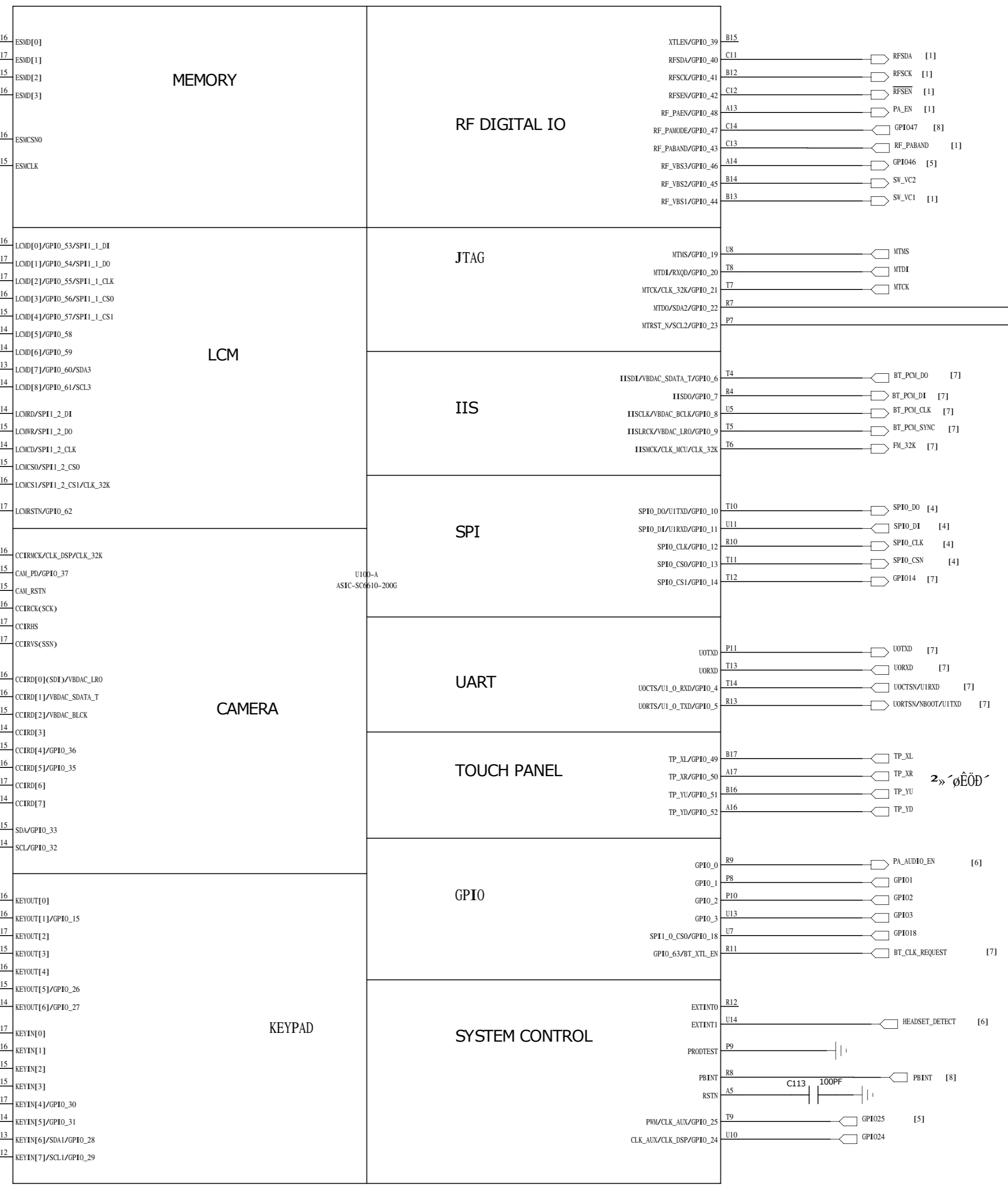
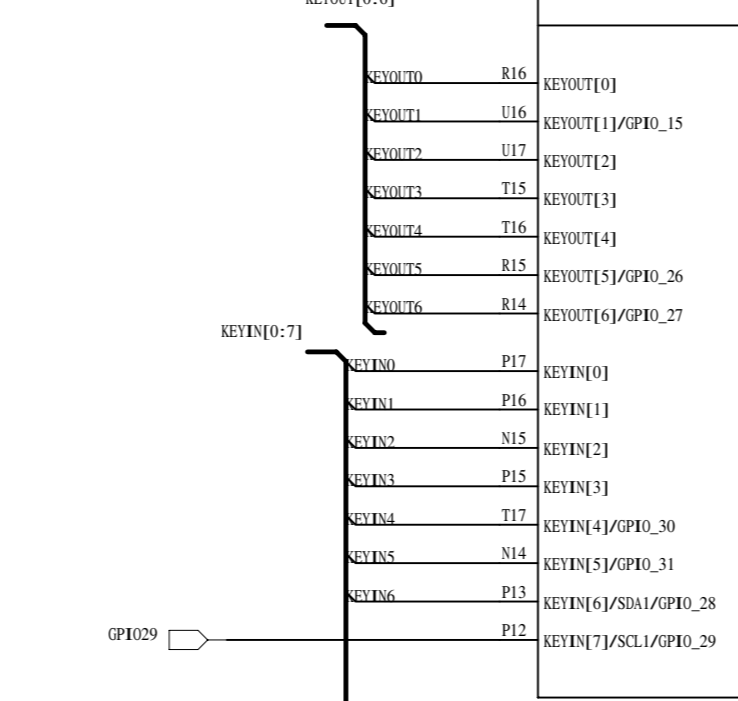
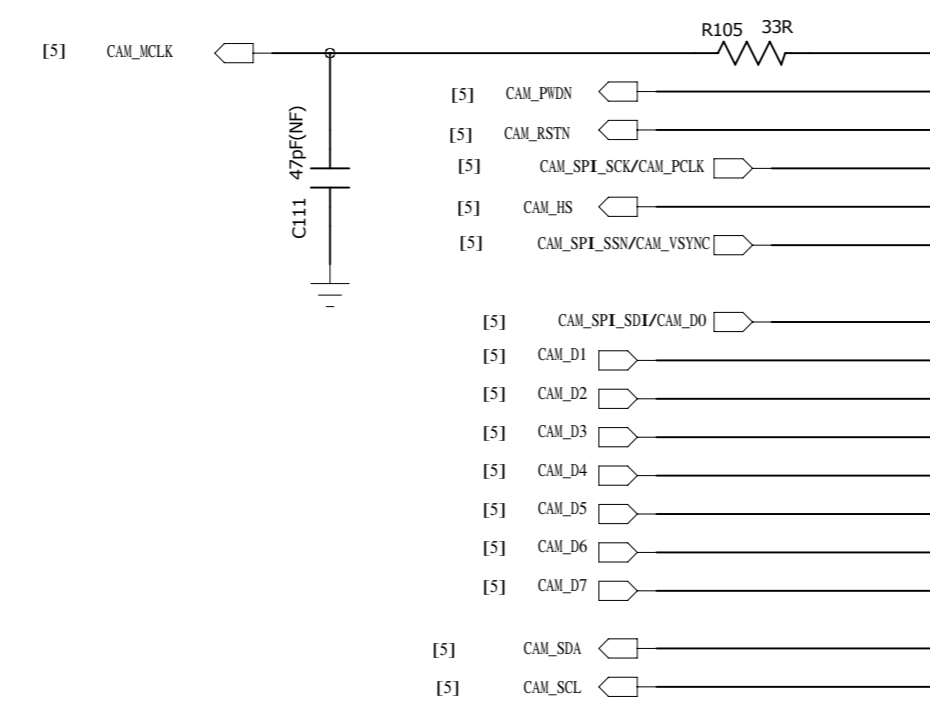
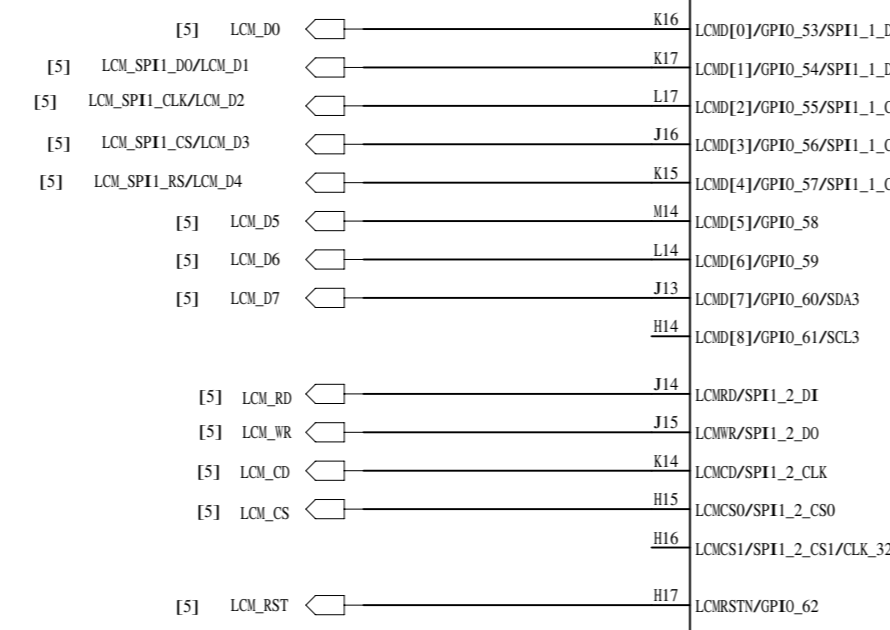
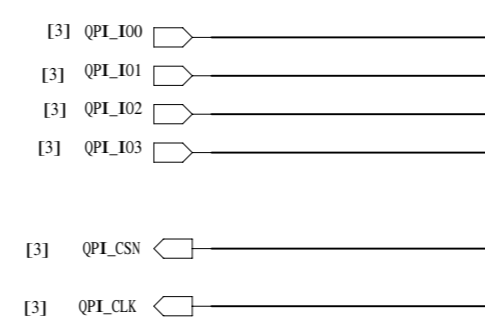
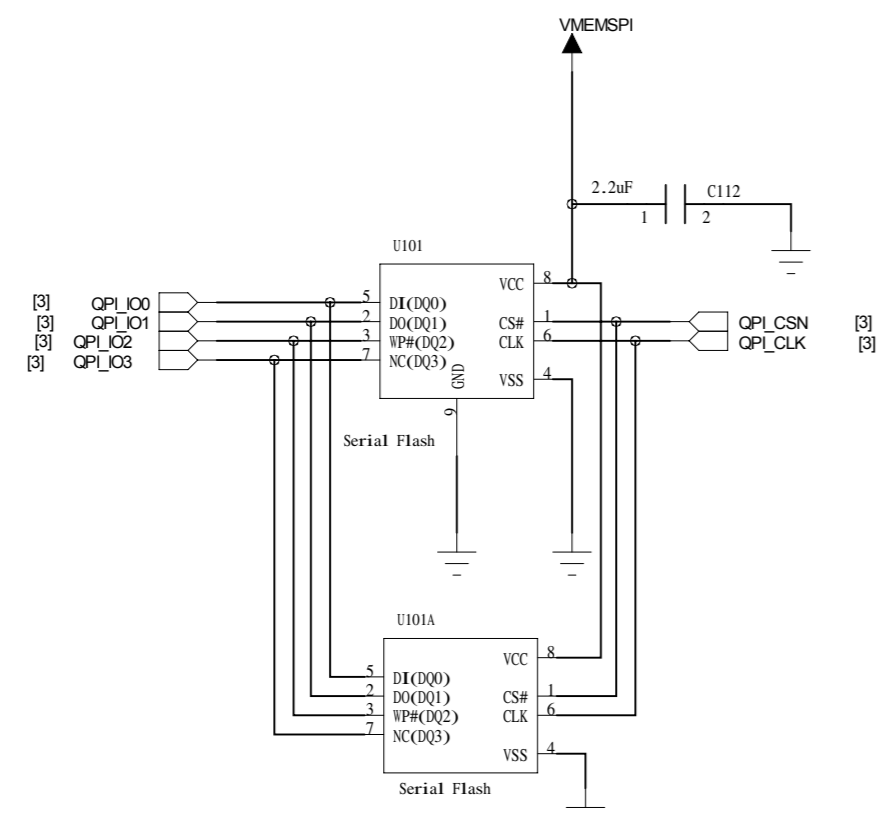
TITLE & REV:		
DOCUMENT NO.:		
DESIGNER:	DATED:	DEPARTMENT:
EQ:	DATED:	COMPANY:
APPROVED:	DATED:	
CONFIDENTIAL AND PROPRIETARY		
SHEET: 1 OF 8		

REVISION RECORD			
LT#	ECO NO.	APPROVED:	DATE:



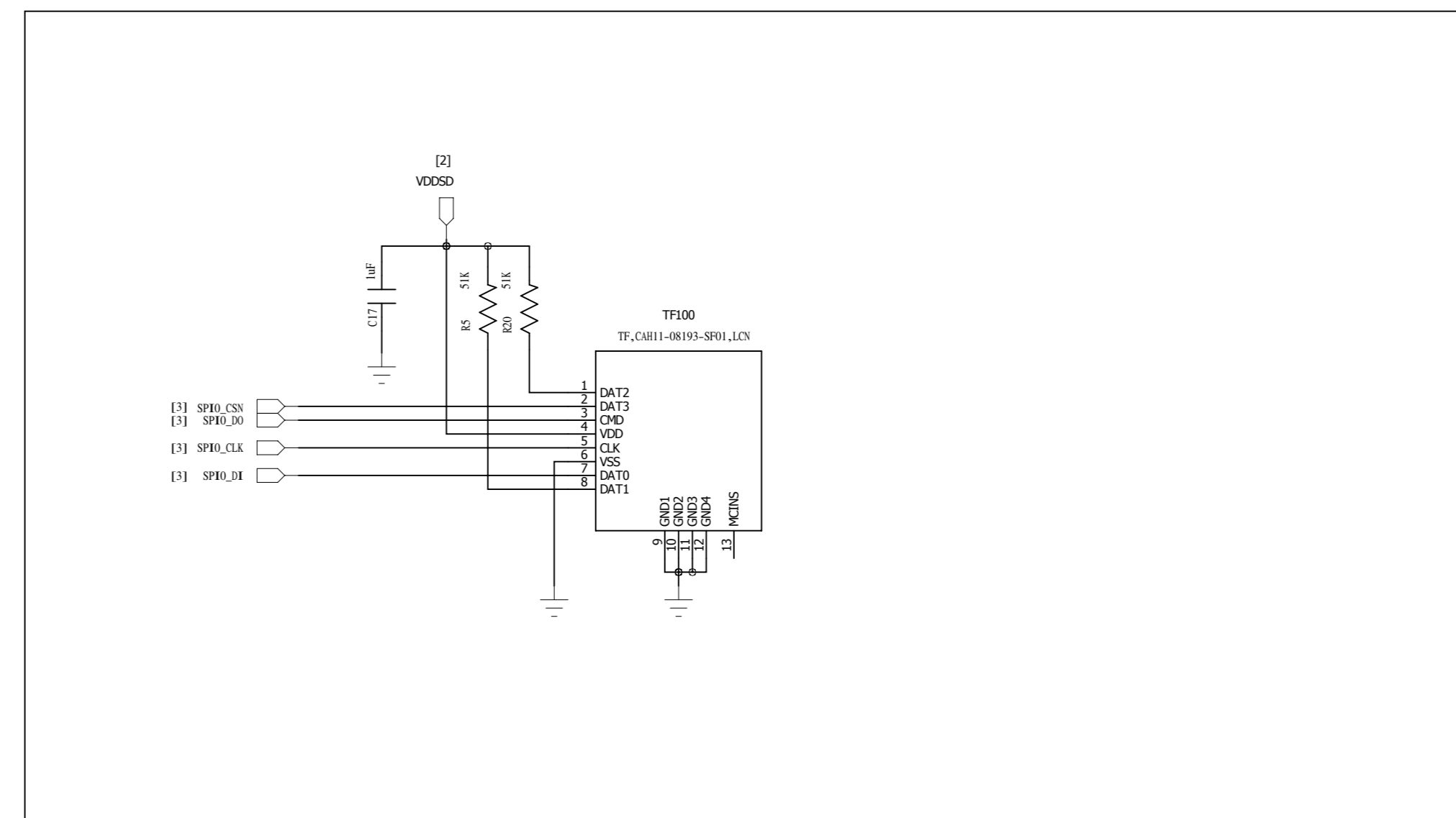
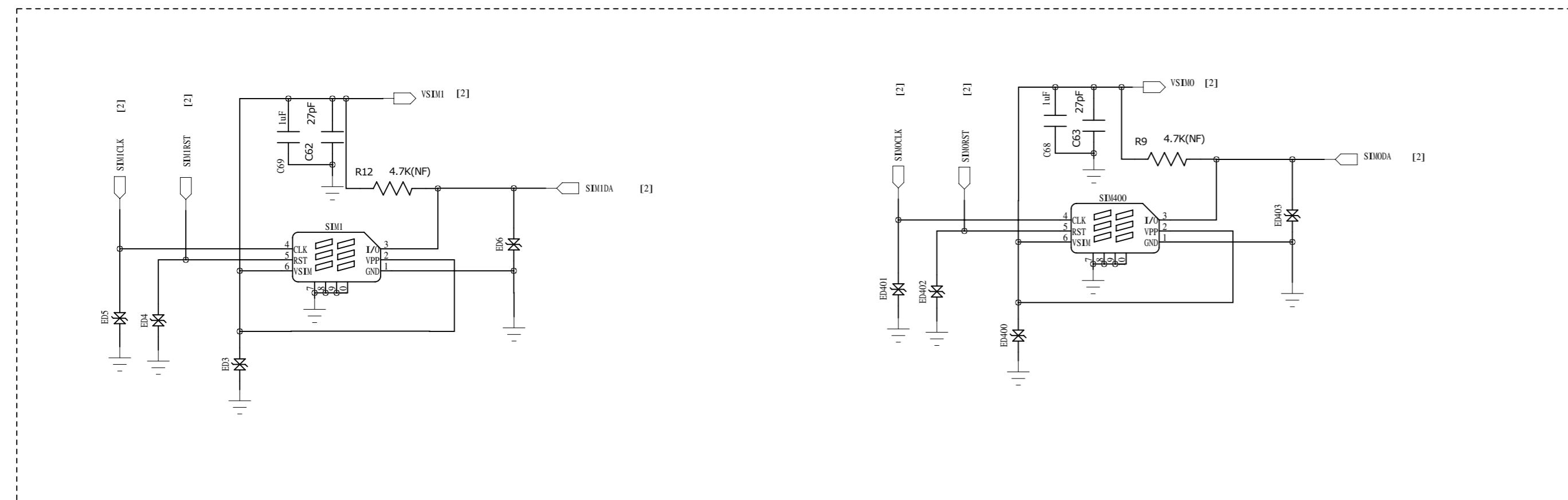
TITLE & KEY:		
DOCUMENT NO.:		
DESIGNER:	DATED:	DEPARTMENT:
EQ:	DATED:	COMPANY:
APPROVED:	DATED:	
CONFIDENTIAL AND PROPRIETARY		
SHEET: 2 OF 8		

REVISION RECORD			
LTR	ECO NO.	APPROVED:	DATE:



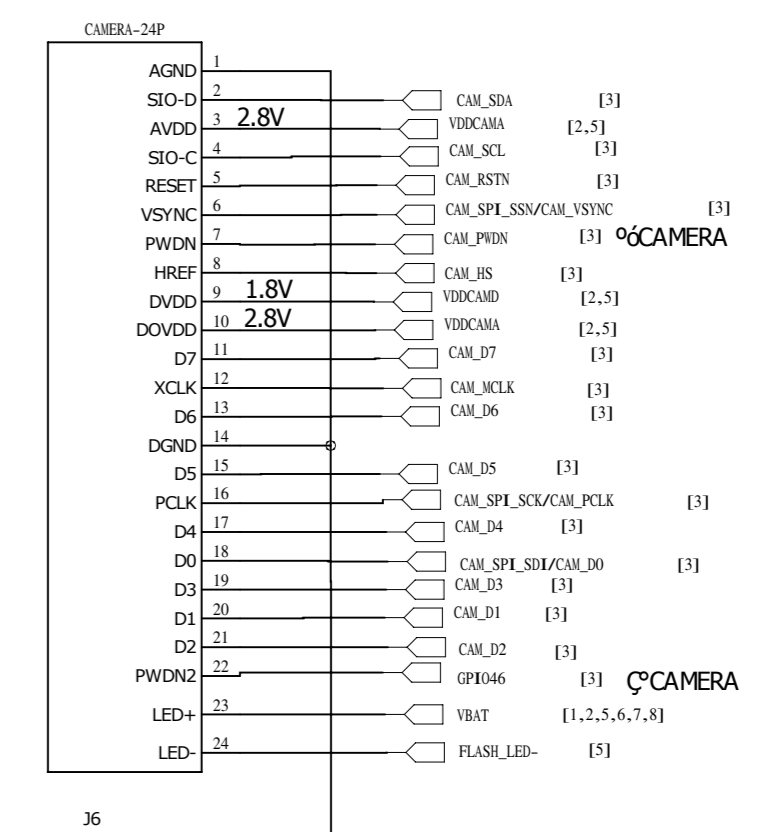
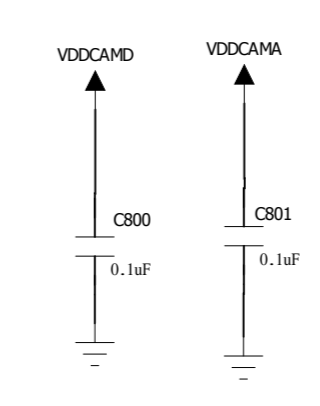
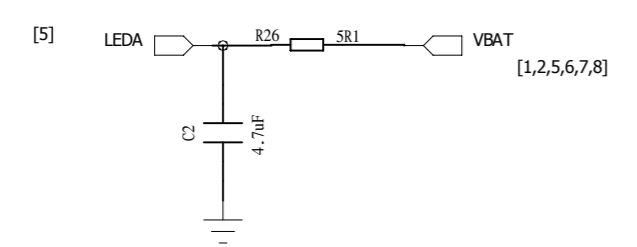
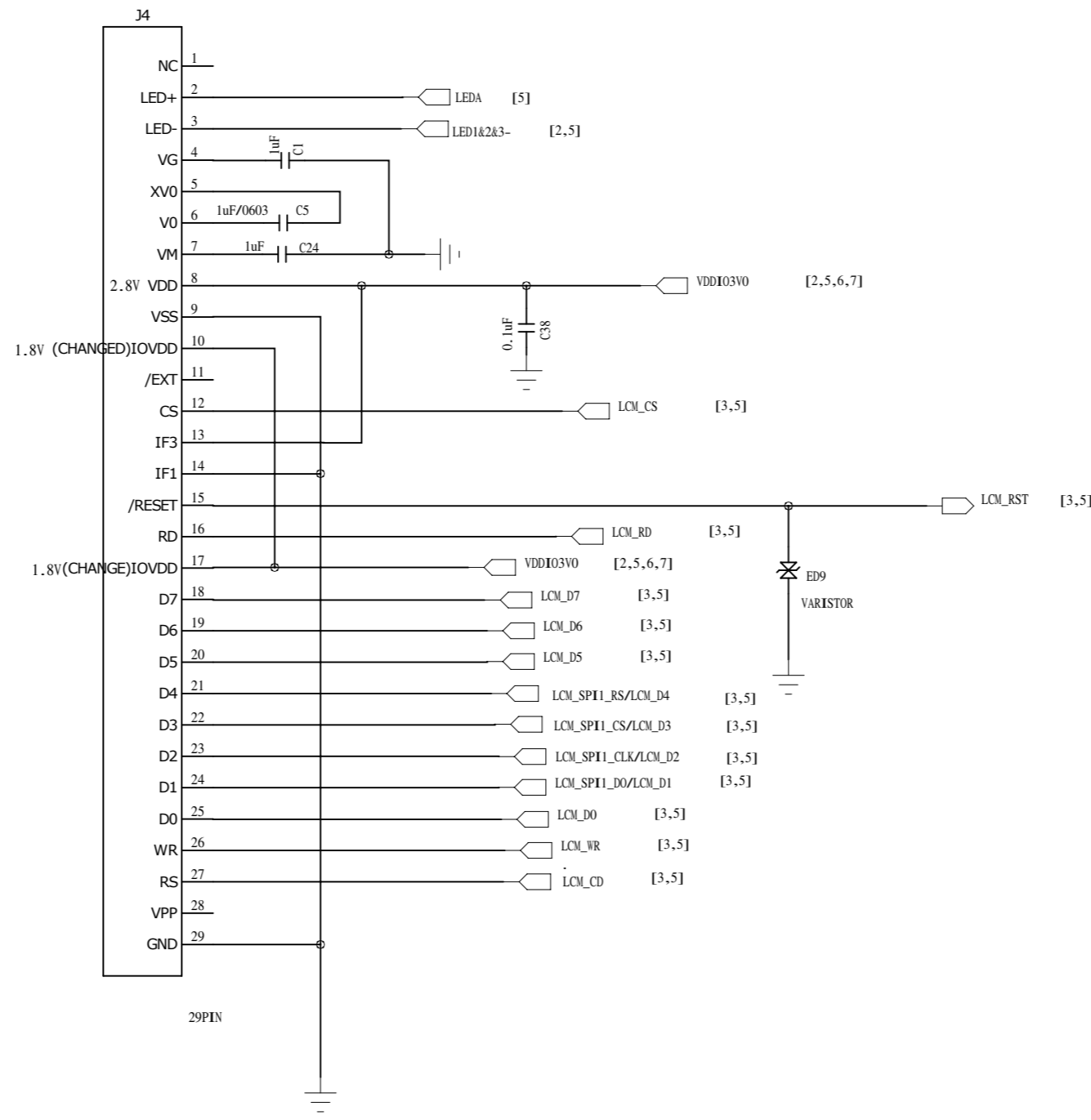
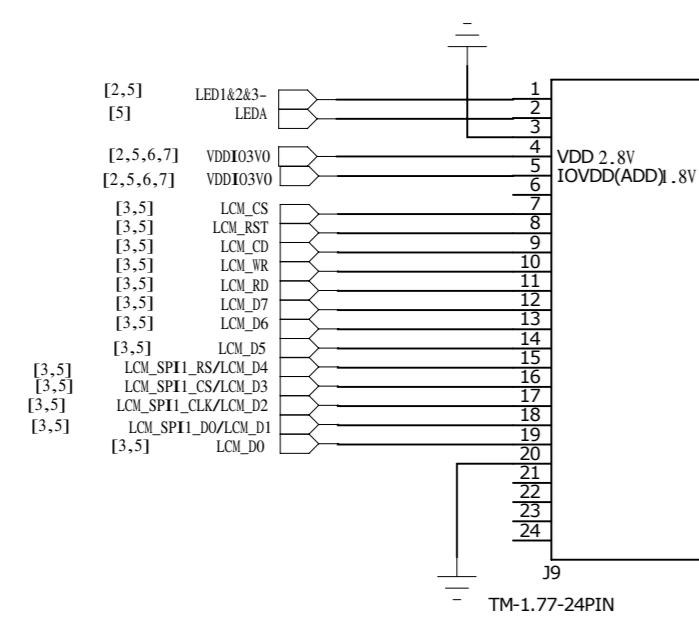
TITLE & REF:		
DOCUMENT NO.:		
DESIGNER:	DATE:	DEPARTMENT:
EQA:	DATE:	COMPANY:
APPROVED:	DATE:	

REVISION RECORD			
LTR	ECO NO.	APPROVED:	DATE:

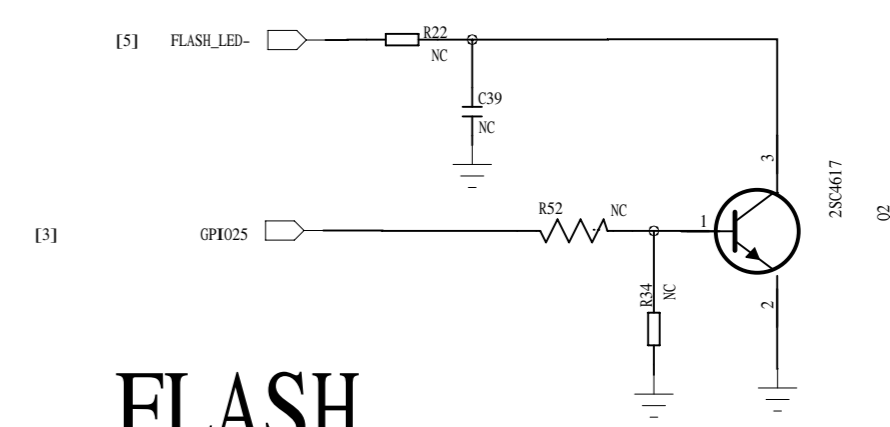


TITLE & REV:		
DOCUMENT NO.:		
DESIGNER:	DATED:	DEPARTMENT:
EQA:	DATED:	COMPANY:
APPROVED:	DATED:	CONFIDENTIAL AND PROPRIETARY

REVISION RECORD			
LTR	ECO NO:	APPROVED:	DATE:



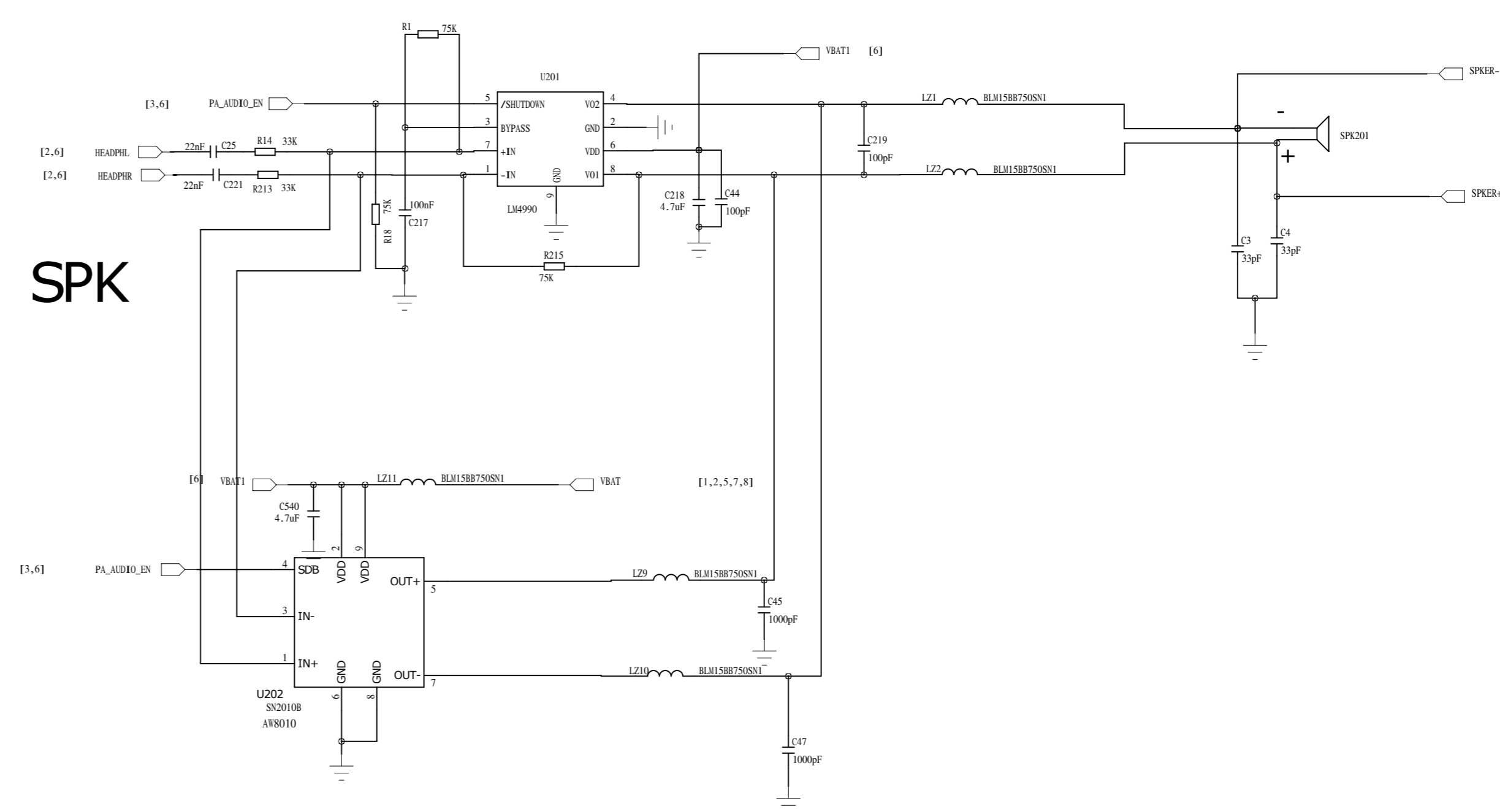
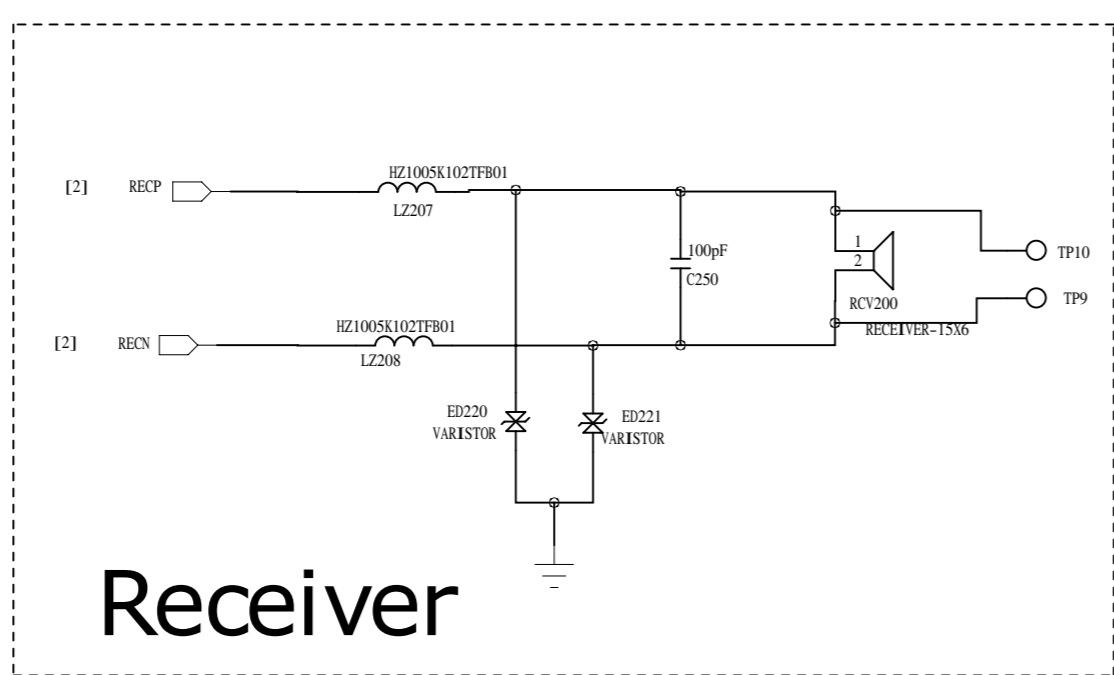
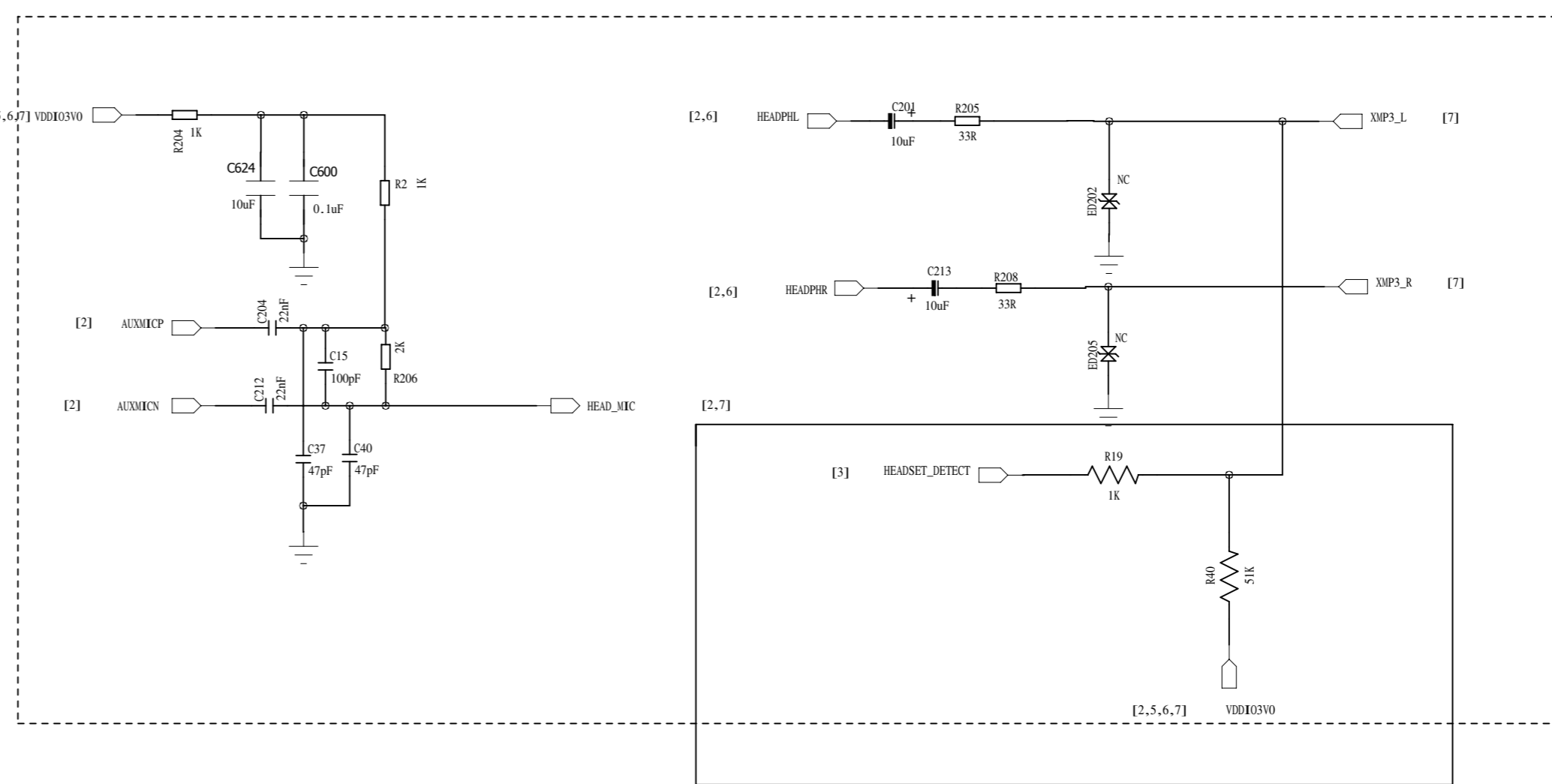
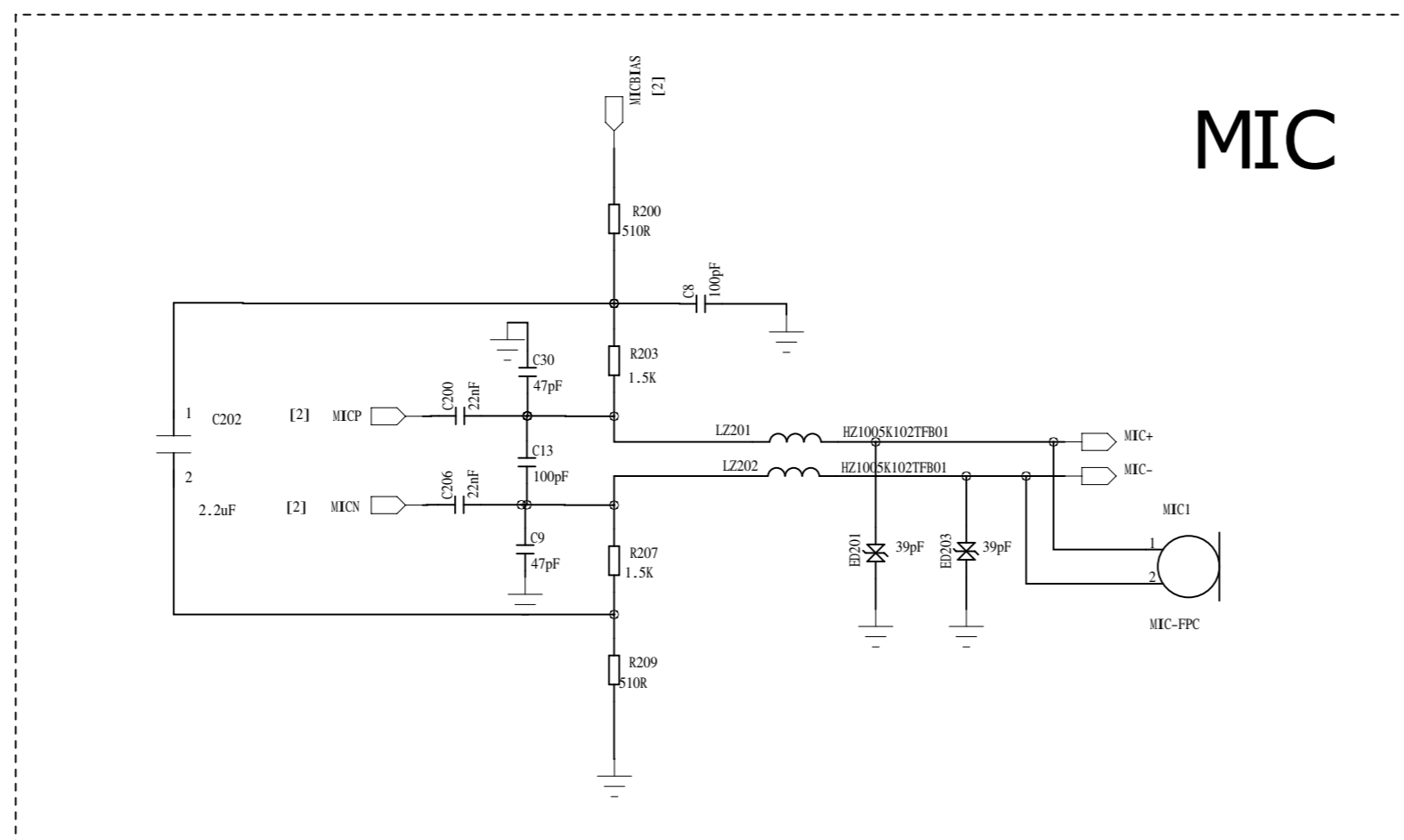
CAMERA



FLASH

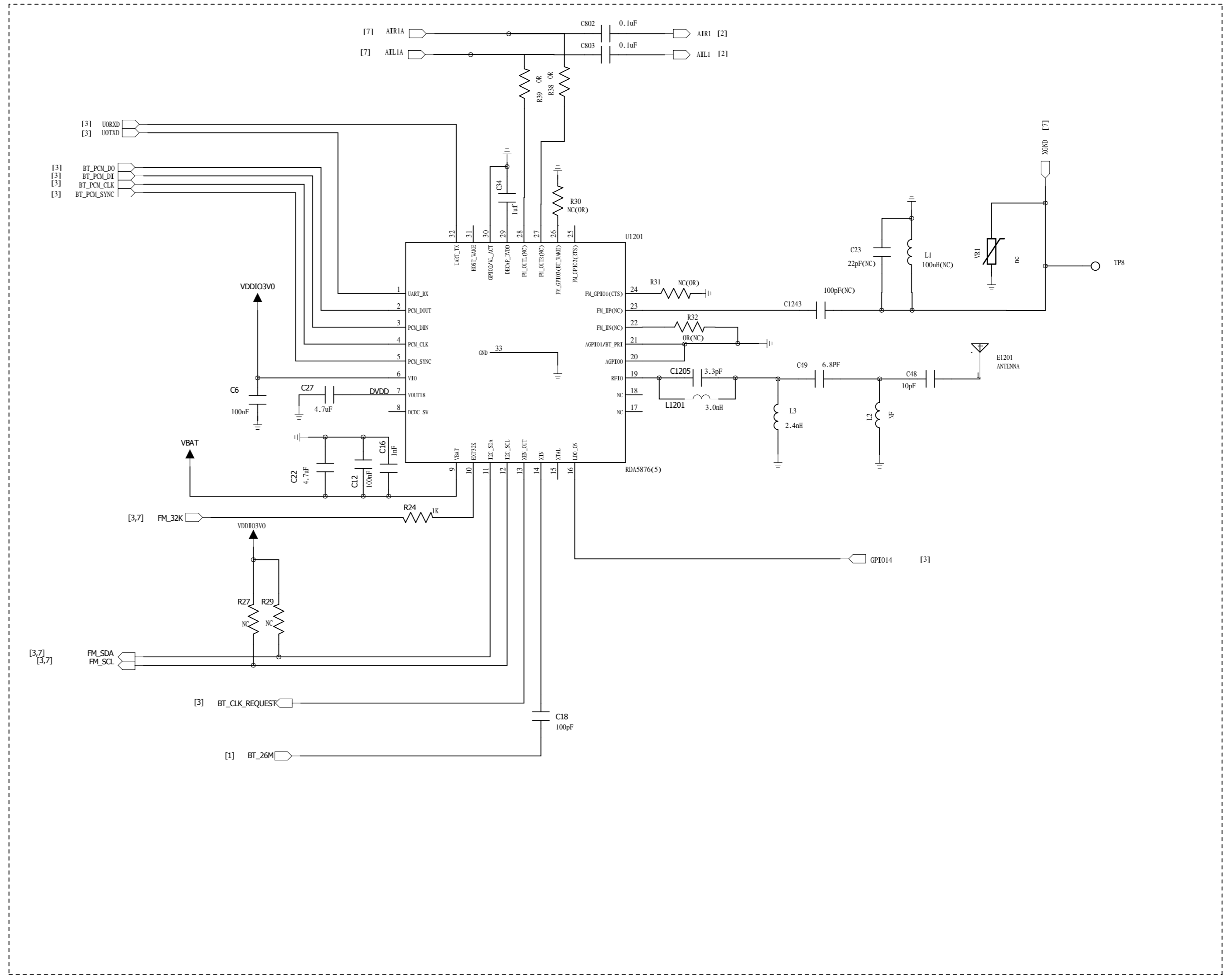
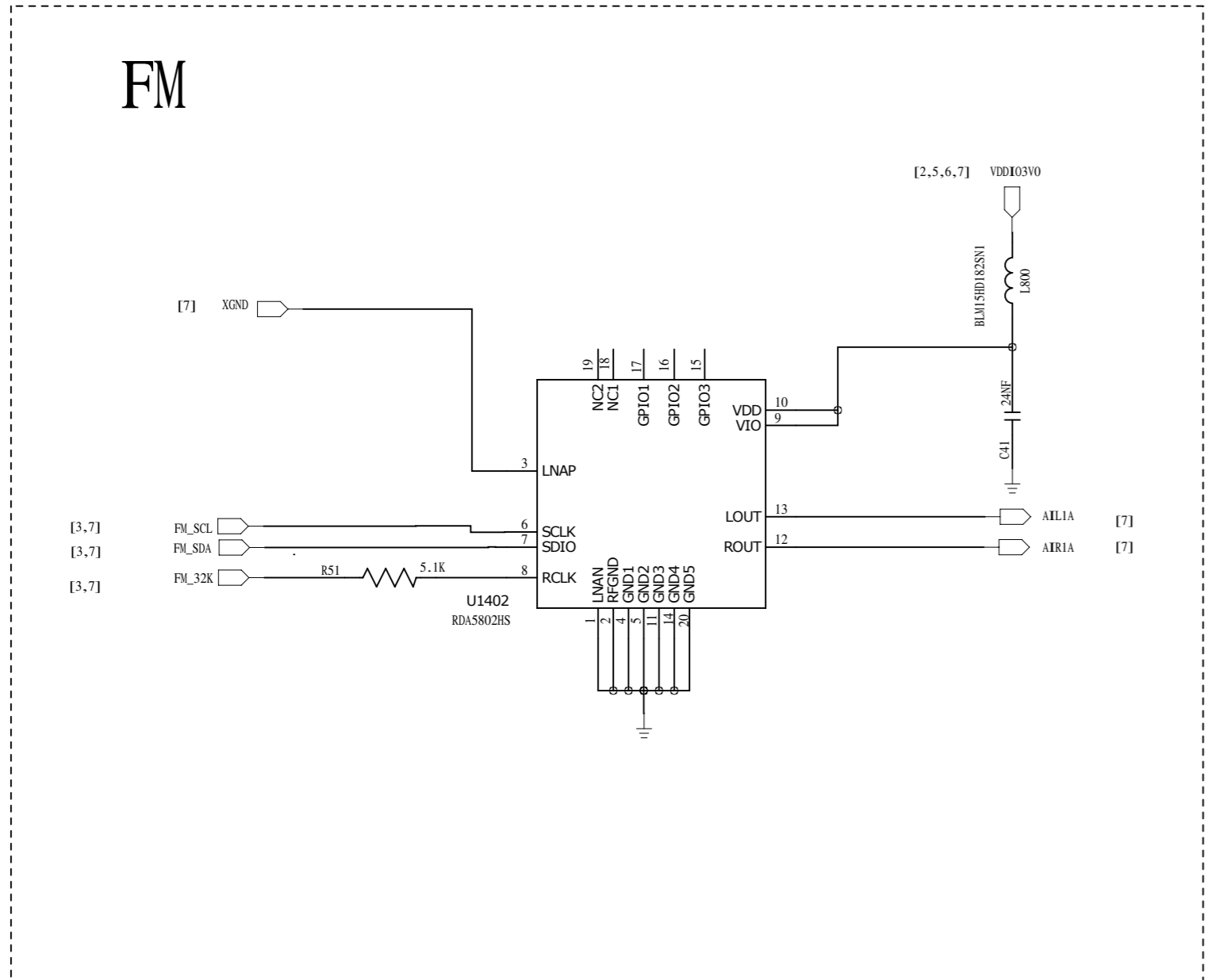
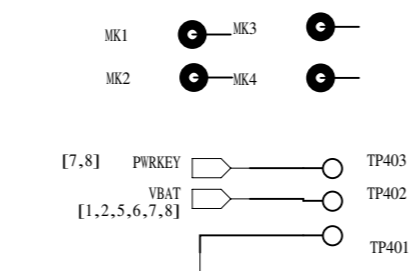
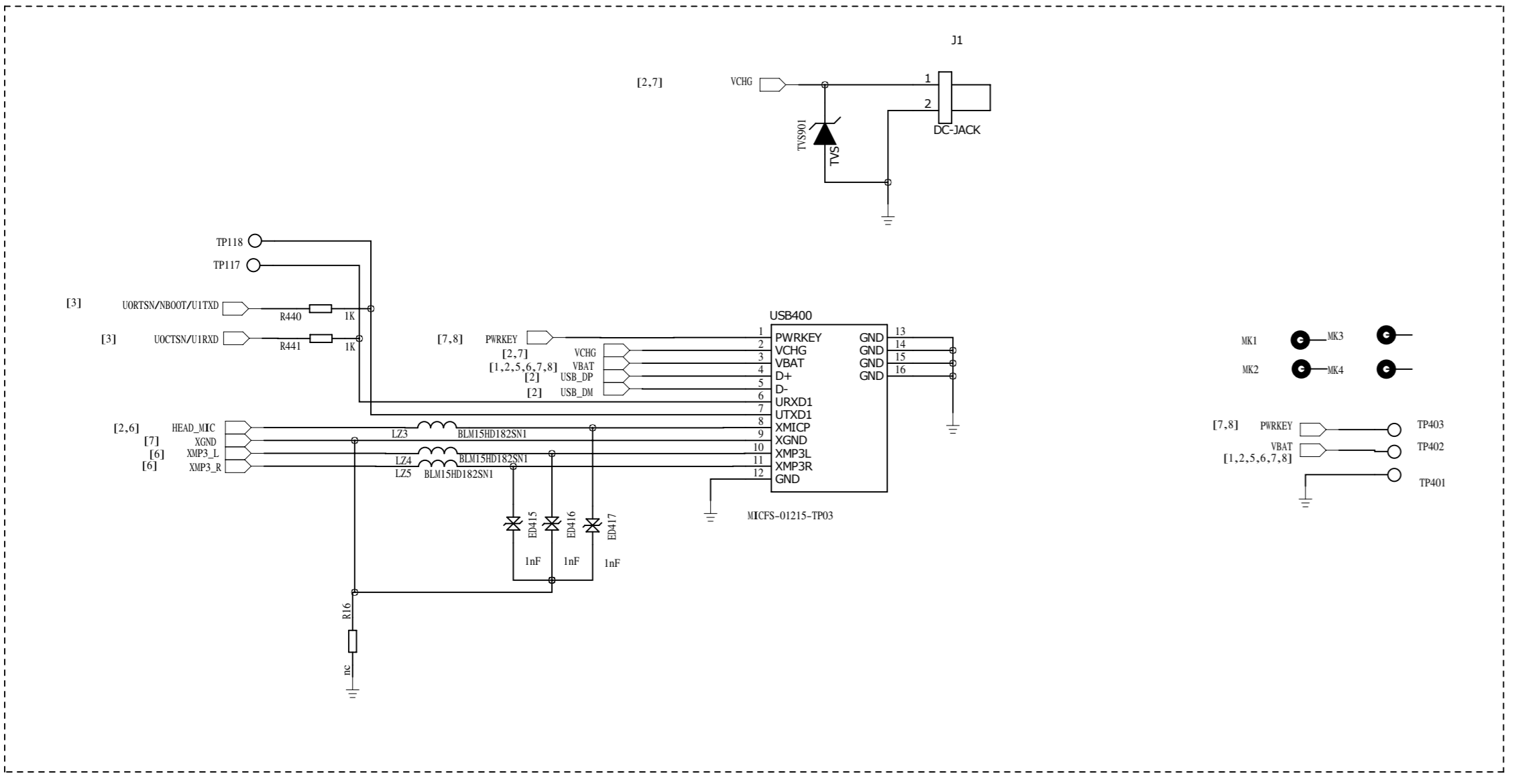
TITLE & REV:		
DOCUMENT NO.:		
DESIGNER:	DATED:	DEPARTMENT:
EQ:	DATED:	COMPANY:
APPROVED:	DATED:	CONFIDENTIAL AND PROPRIETARY

REVISION RECORD			
LTR	ECO NO.	APPROVED:	DATE:



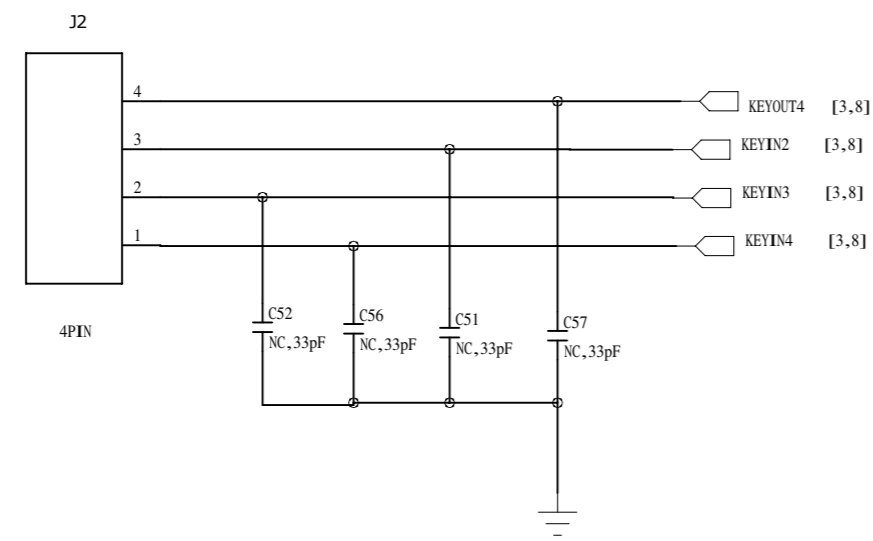
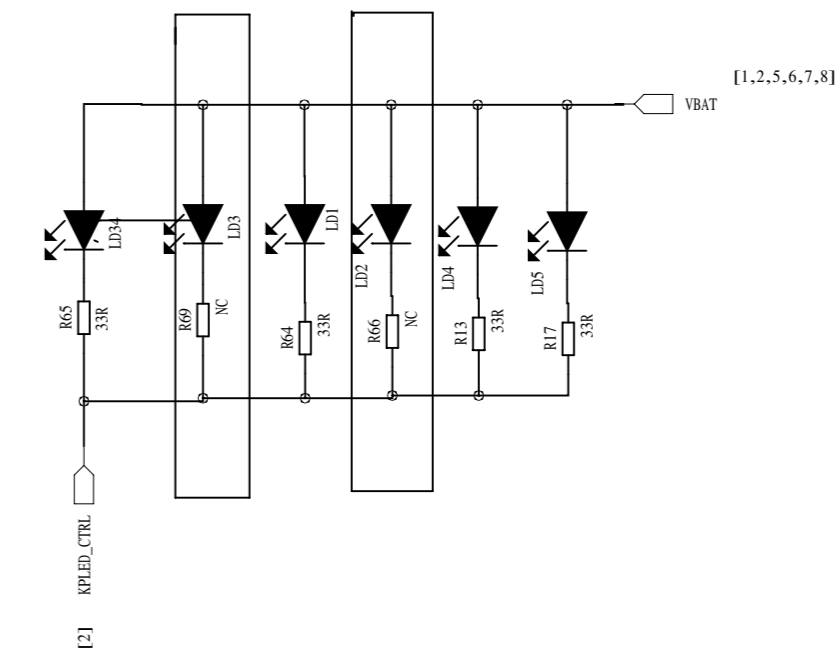
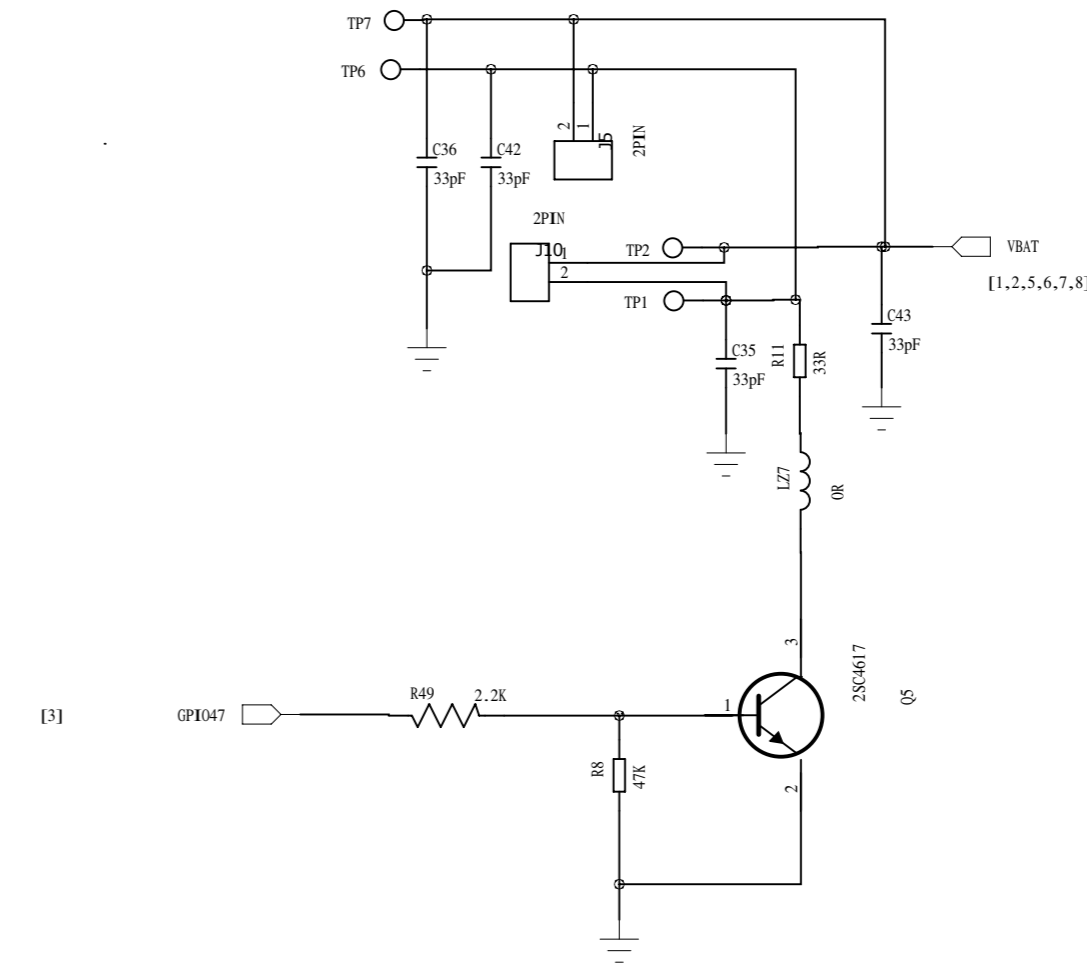
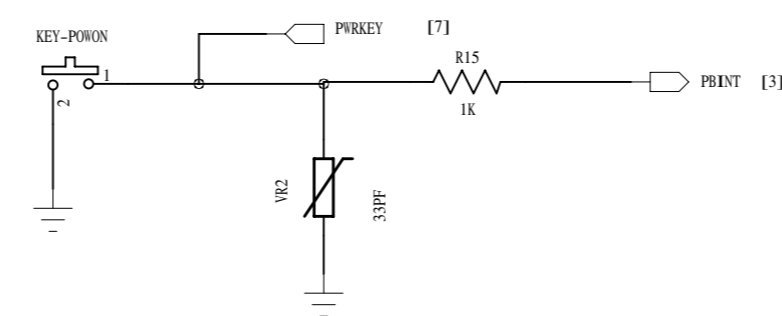
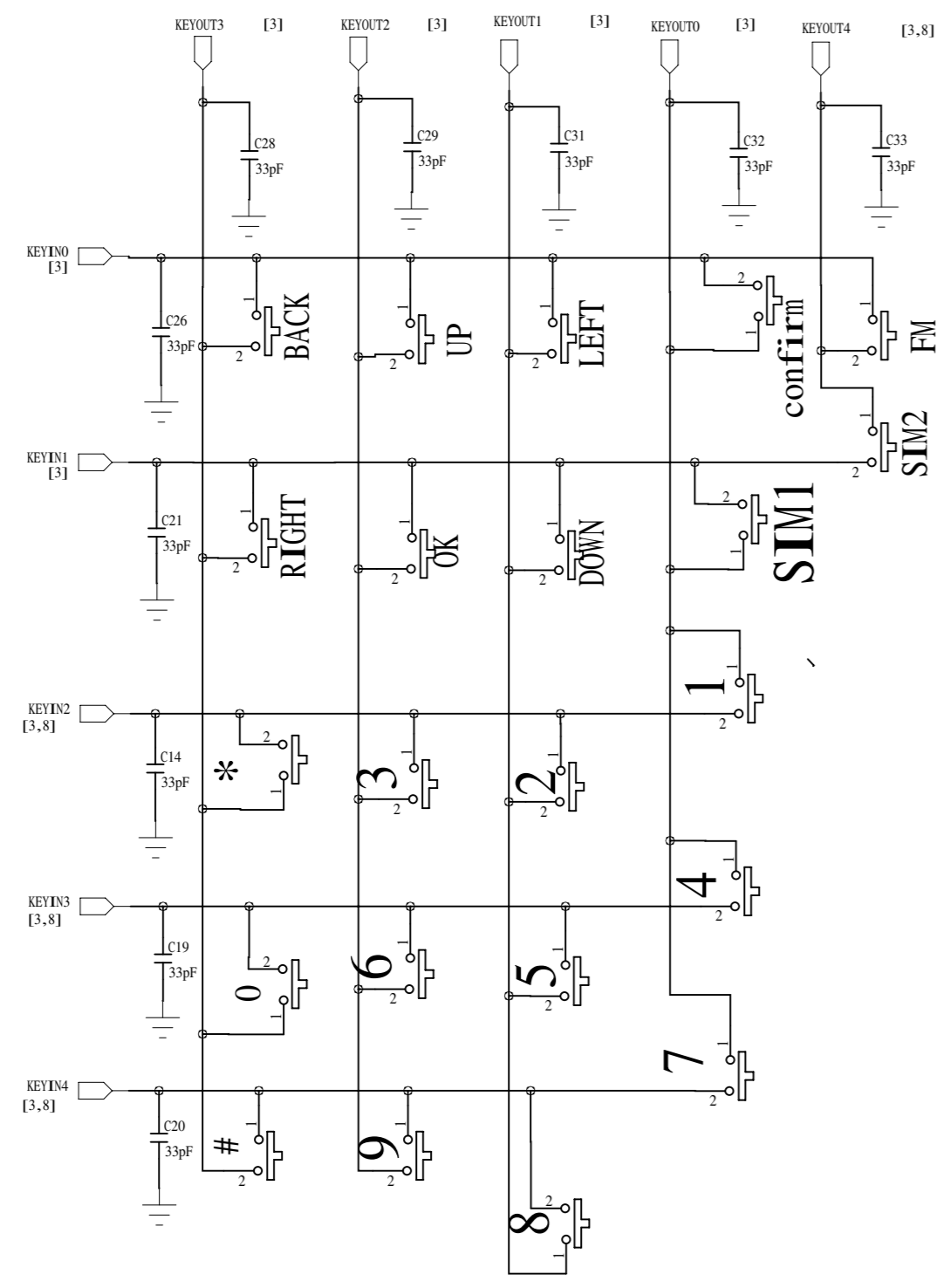
TITLE & REV:		
DOCUMENT NO.:		
DESIGNER:	DATED:	DEPARTMENT:
EQ:	DATED:	COMPANY:
APPROVED:	DATED:	
CONFIDENTIAL AND PROPRIETARY		SHEET: 6 OF 8

REVISION RECORD			
LTR	ECO NO.	APPROVED:	DATE:



TITLE & REV:		
DOCUMENT NO.:		
DESIGNER:	DATED:	DEPARTMENT:
EQ:	DATED:	COMPANY:
APPROVED:	DATED:	CONFIDENTIAL AND PROPRIETARY
SHEET: 7		OF 8

REVISION RECORD			
LTR	REV NO:	APPROVED:	DATE:



TITLE & REV:		
DOCUMENT NO.:		
DESIGNER:	DATED:	DEPARTMENT:
EQA:	DATED:	COMPANY:
APPROVED:	DATED:	