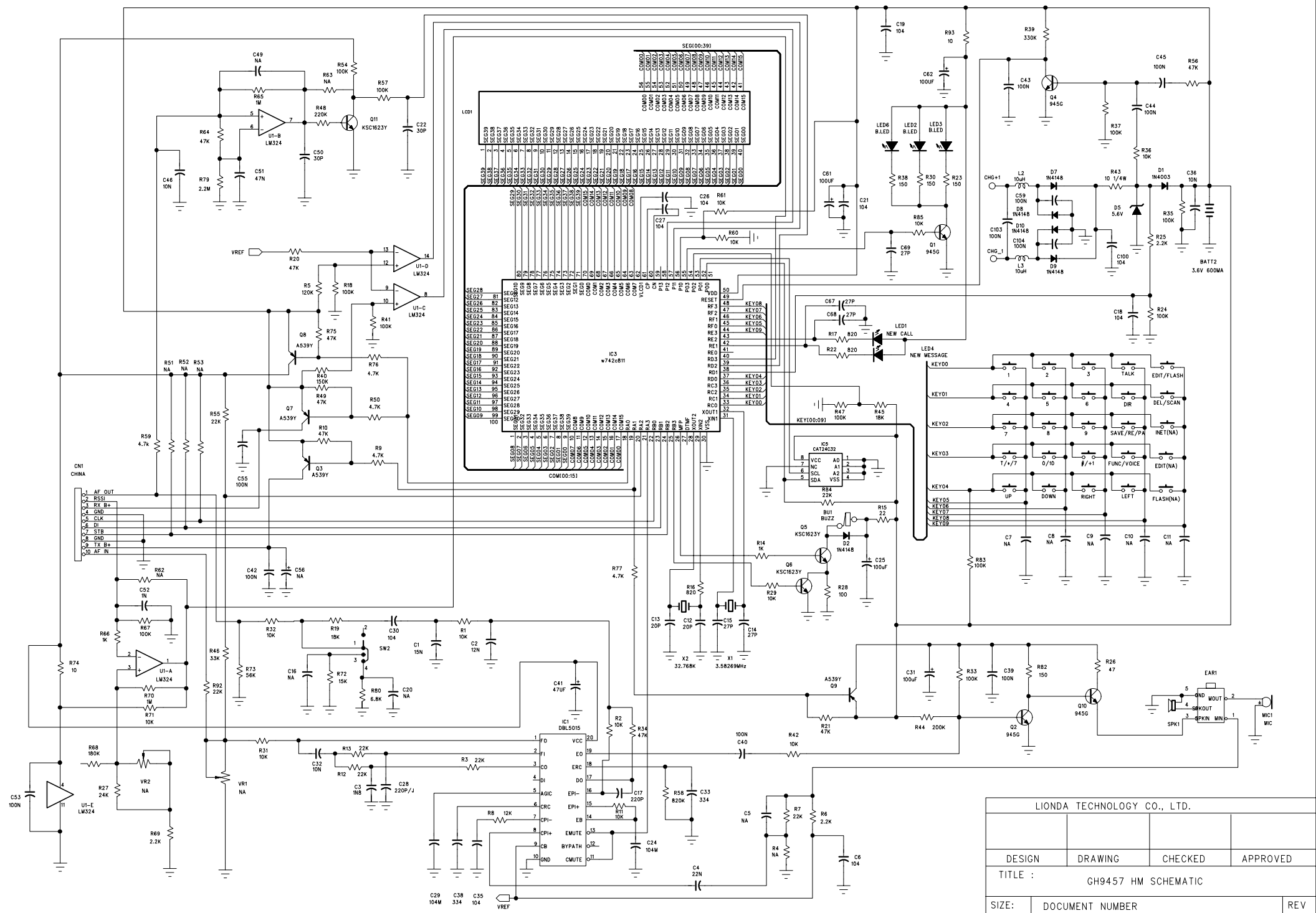
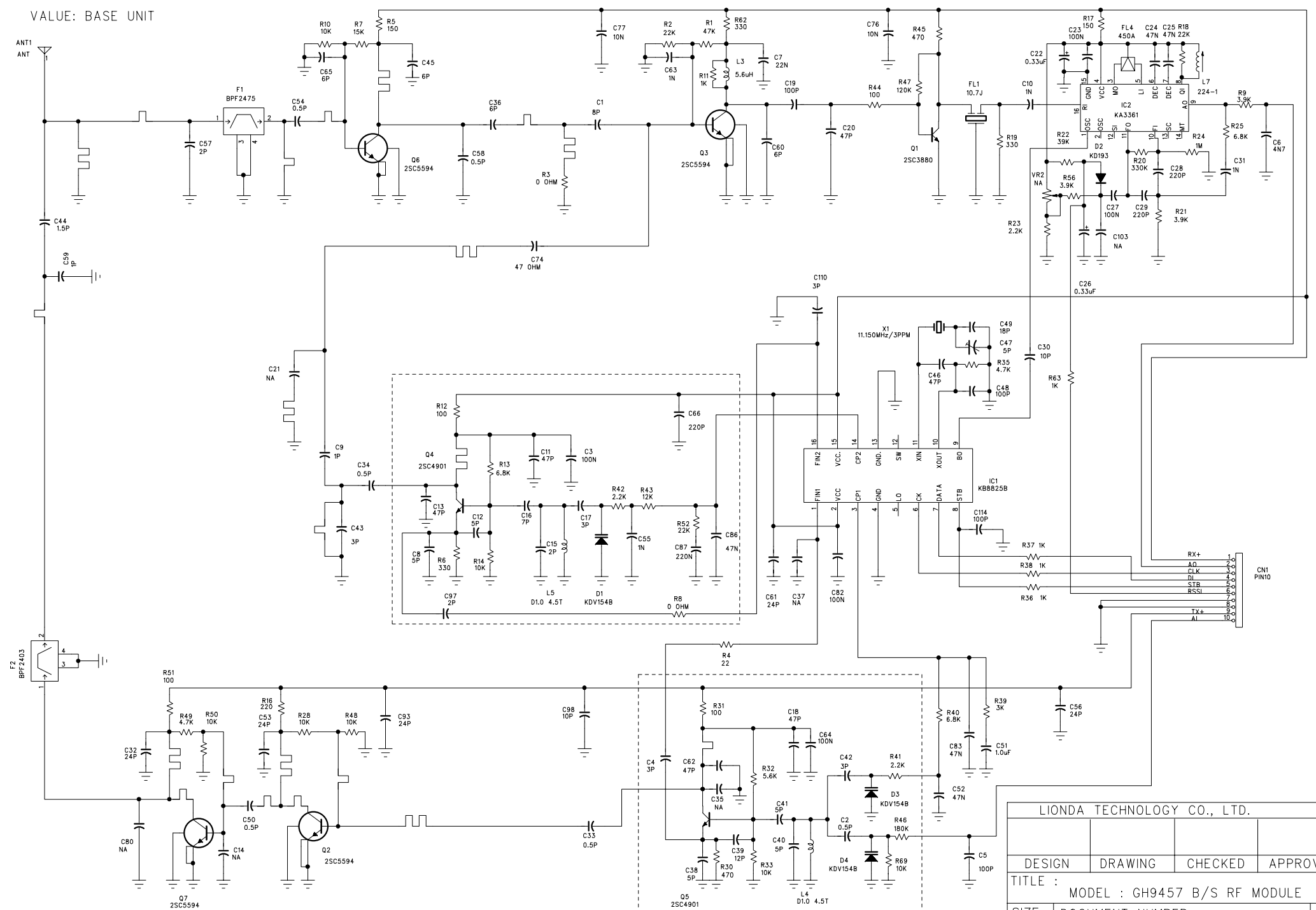


LIONDA TECHNOLOGY CO., LTD.			
DESIGN	DRAWING	CHECKED	APPROVED
TITLE GH9457 BM SCHEMATIC			
SIZE C	DOCUMENT NUMBER		REV P0
DATE :	04-Jan-2002		SHEET: 1 OF 1



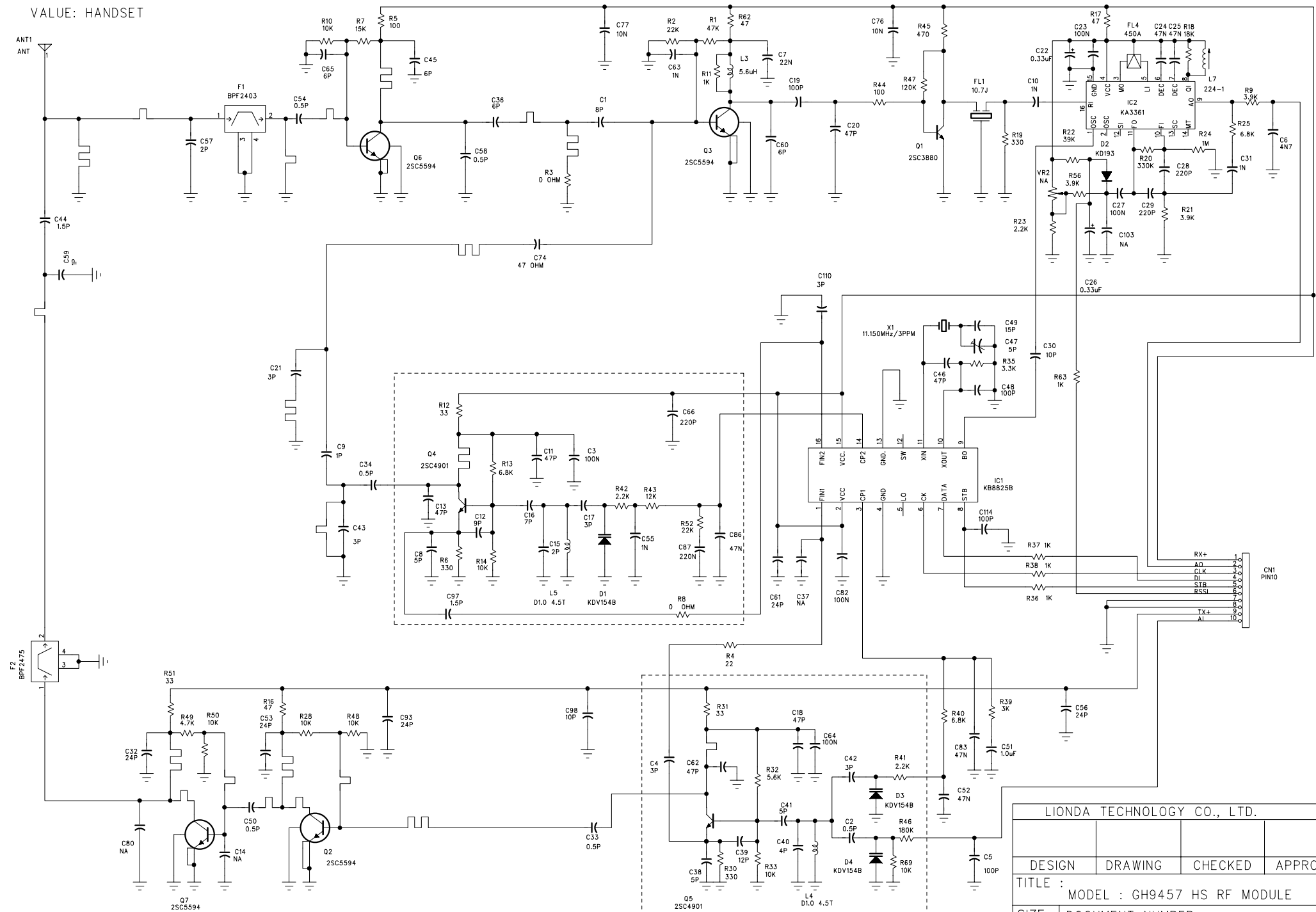
LIONDA TECHNOLOGY CO., LTD.			
DESIGN	DRAWING	CHECKED	APPROVED
TITLE : GH9457 HM SCHEMATIC			
SIZE: C	DOCUMENT NUMBER	REV PO	
DATE: 03-Jan-2002	SHEET: 1 OF 1		

VALUE: BASE UNIT



LIONDA TECHNOLOGY CO., LTD.			
DESIGN	DRAWING	CHECKED	APPROVED
TITLE : MODEL : GH9457 B/S RF MODULE			
SIZE: C	DOCUMENT NUMBER	REV PO	
DATE:	JAN. 3, 2002	SHEET: 1 OF 1	

VALUE: HANDSET



LIONDA TECHNOLOGY CO., LTD.

DESIGN	DRAWING	CHECKED	APPROVED
TITLE : MODEL : GH9457 HS RF MODULE			
SIZE: C	DOCUMENT NUMBER	REV PO	
DATE:	JAN. 3, 2002	SHEET: 1 OF 1	