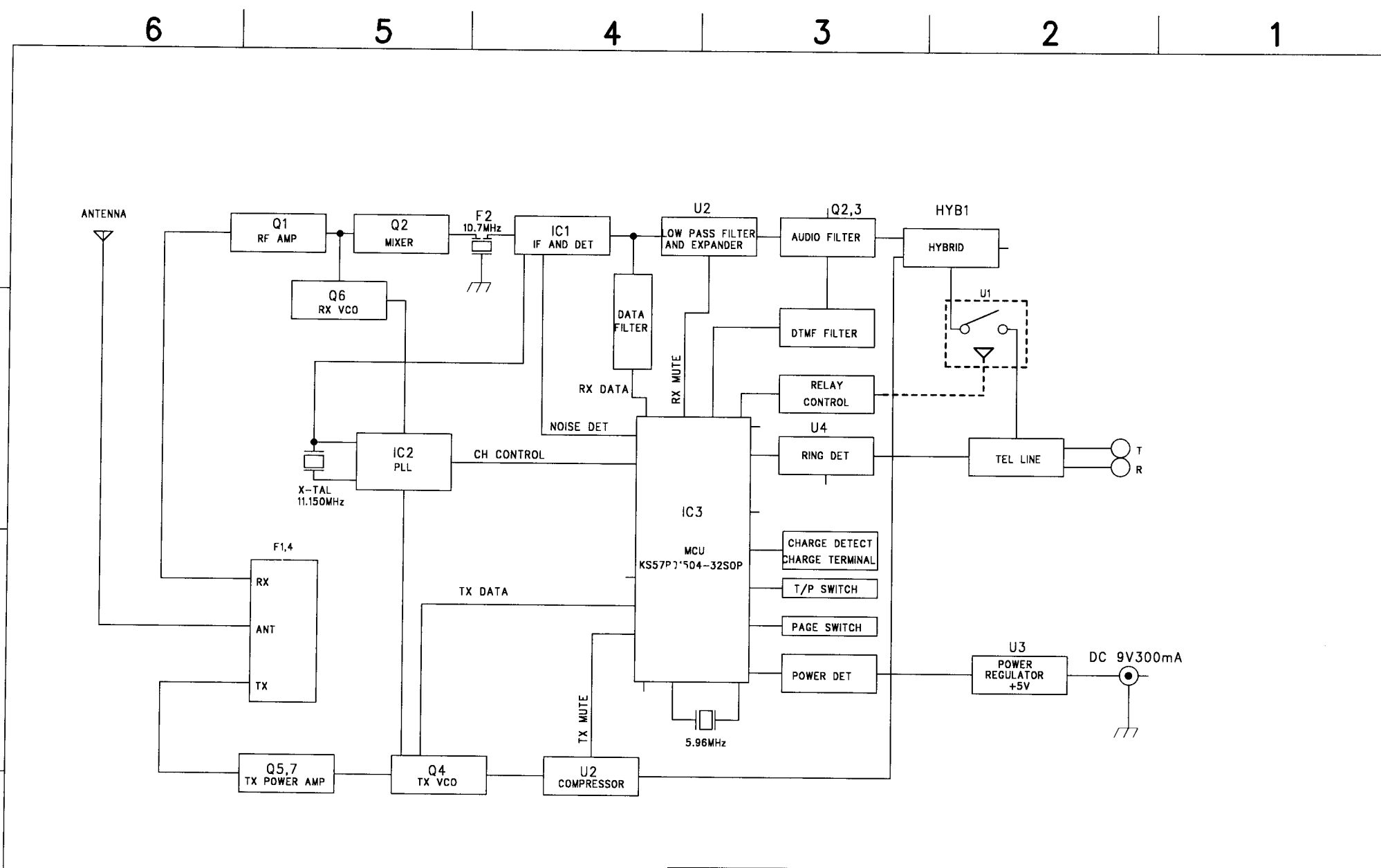


D

C

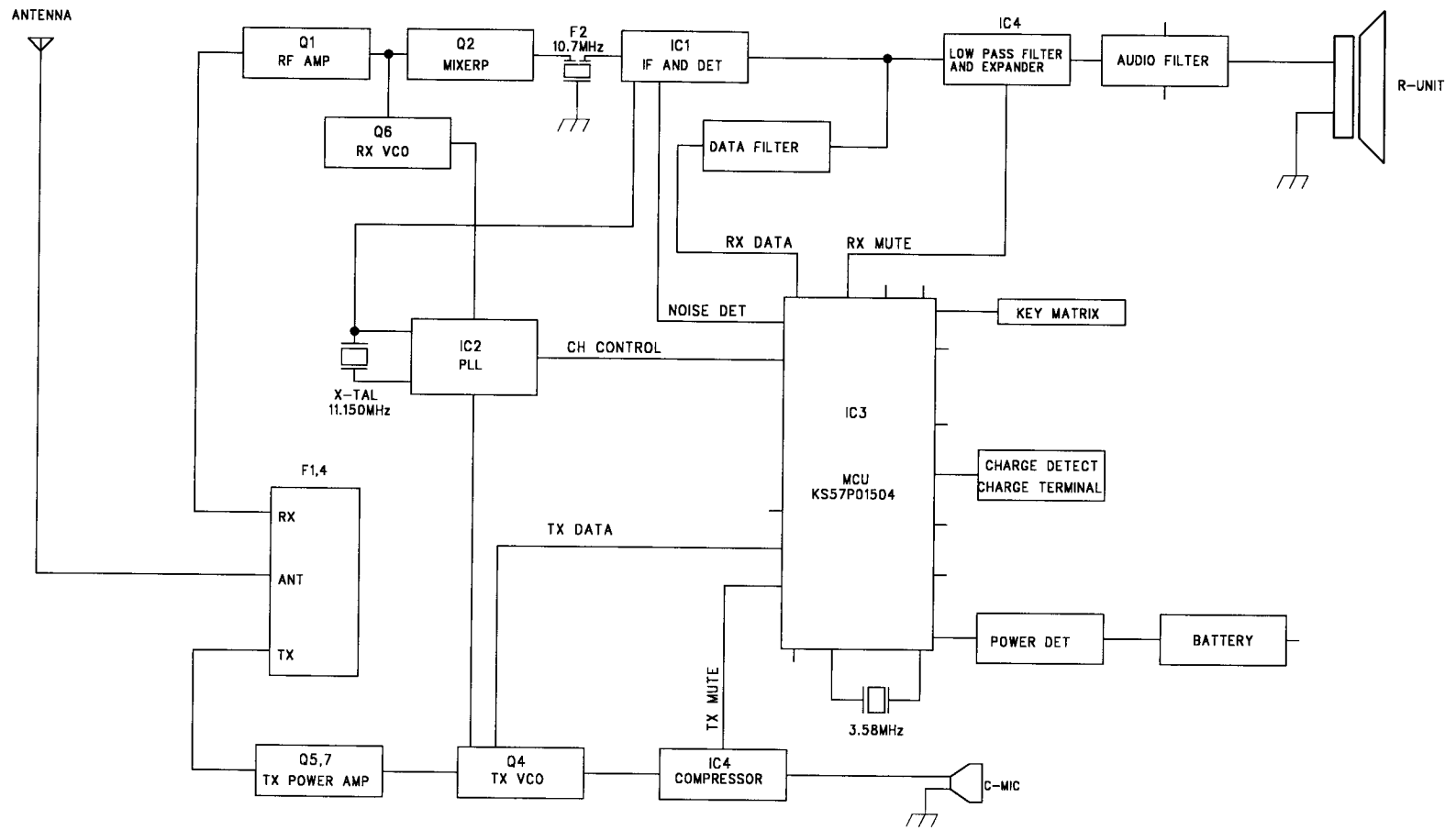
B

A



| | | | | | | | |
|------------------|---------|----------|---------|--------------------|------|-----------|---------|
| HANTONG CO., LTD | | | NAME | BASE BLOCK DIAGRAM | | VIEW | |
| MODEL NO. | 36110 | | DWG.NO. | | | UNIT | |
| DRAWN | CHECKED | APPROVED | DATE | 04.16.2001 | | SCALE | / |
| | | | SHEET | / | REV. | FILE NAME | 36110BB |

6 5 4 3 2 1



| | | | | | | | |
|------------------|-------------|----------|---------|---------------------|------|-----------|----------|
| HANTONG CO., LTD | | | NAME | HANDY BLOCK DIAGRAM | | VIEW | |
| MODEL NO. | 36110 HANDY | | DWG.NO. | | | UNIT | |
| DRAWN | CHECKED | APPROVED | DATE | 04.16.2001 | | SCALE | / |
| | | | SHEET | / | REV. | FILE NAME | 36110 HB |

D
C
B
A