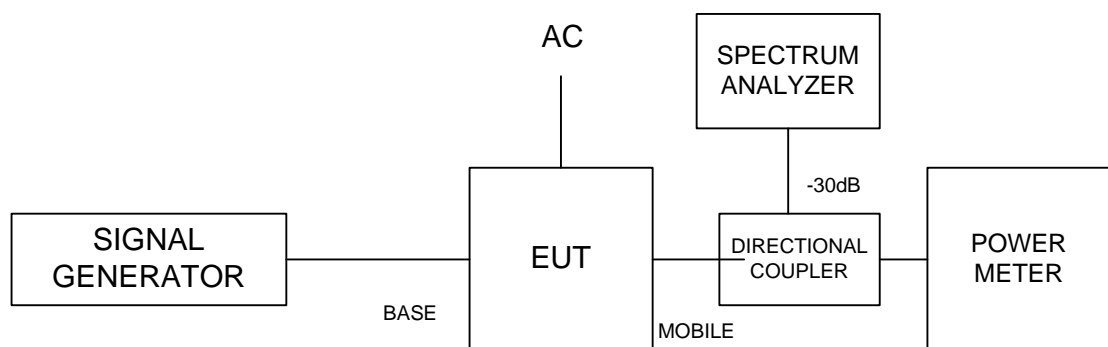


AGC tune up procedure for IBDB-SMR-800-900-16W40

1. Required test equipment:

- a. Spectrum Analyzer – HP 8563E or equivalent
- b. Signal Generator - Agilent E4432B or equivalent
- c. Power Meter – HP E4419B or equivalent

2. Test setup



3. Downlink AGC tuning:

- a. Set downlink GAIN to maximum (ATTN. at position "0").
- b. Set downlink AGC switch to OFF.
- c. Turn AC power ON.
- d. Set signal generator to (-)10 dBm at 858 MHz , two tone, 300KHz separation.
- e. Increase input signal to get (+)35 dBm at output.
- f. Set downlink AGC switch ON.
- g. Adjust AGC trimmer to get (+)31 dBm reading on the power meter.
- h. Decrease input power by 3 dB, then increase the input power by 15dB in 1dB steps. Make sure that output power is within ± 1 dB of the nominal value.

-
- i. Turn power OFF

4. Uplink AGC tuning:

- a. Exchange MOBILE and BASE ports connections.
- b. Set uplink GAIN to maximum (ATTN. at position "0").
- c. Set uplink AGC switch to OFF.
- d. Turn AC power ON.
- e. Set signal generator to (-)20 dBm at 813 MHz, two tone, 300KHz separation.
- f. Increase input signal to get (+)22 dBm at output.
- g. Set Uplink AGC switch ON.
- h. Adjust AGC trimmer to get (+)21 dBm reading on the power meter.
- i. Decrease input power by 3 dB, then increase the input power by 20 dB in 1dB steps. Make sure that output power is within ± 1 dB of the nominal value.
- j. Turn power OFF.