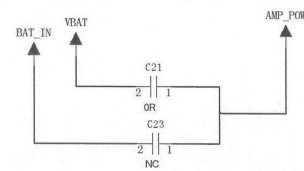
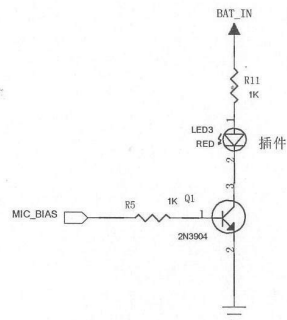
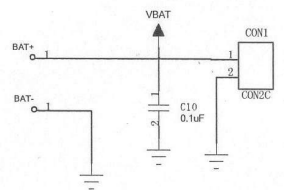
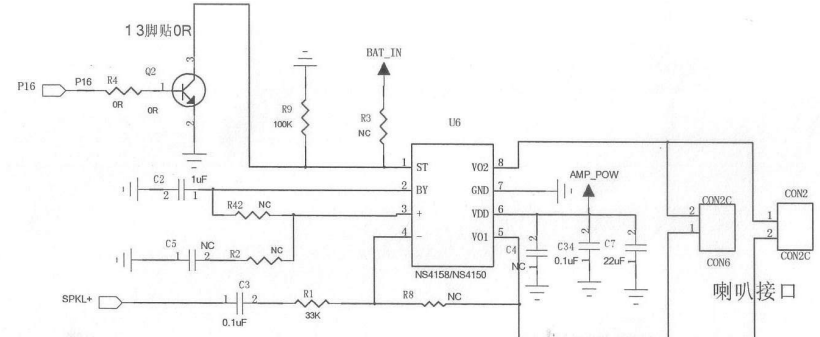
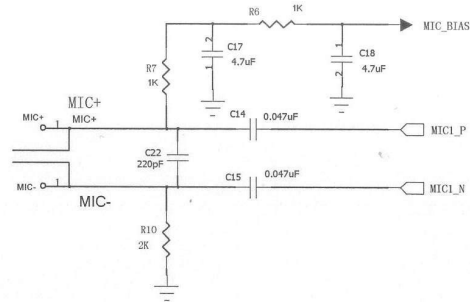
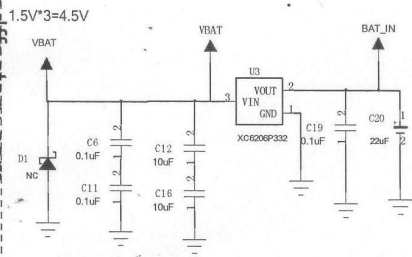
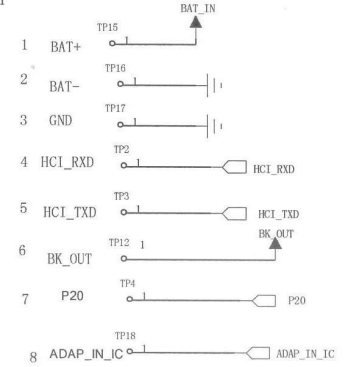


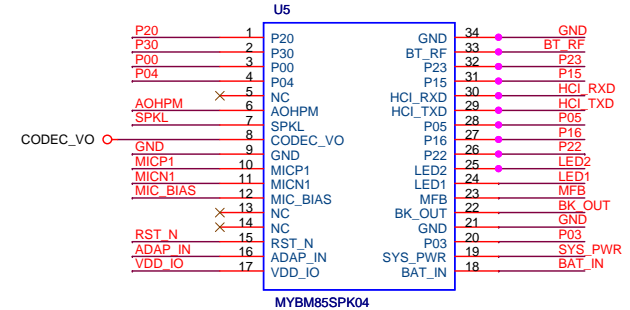
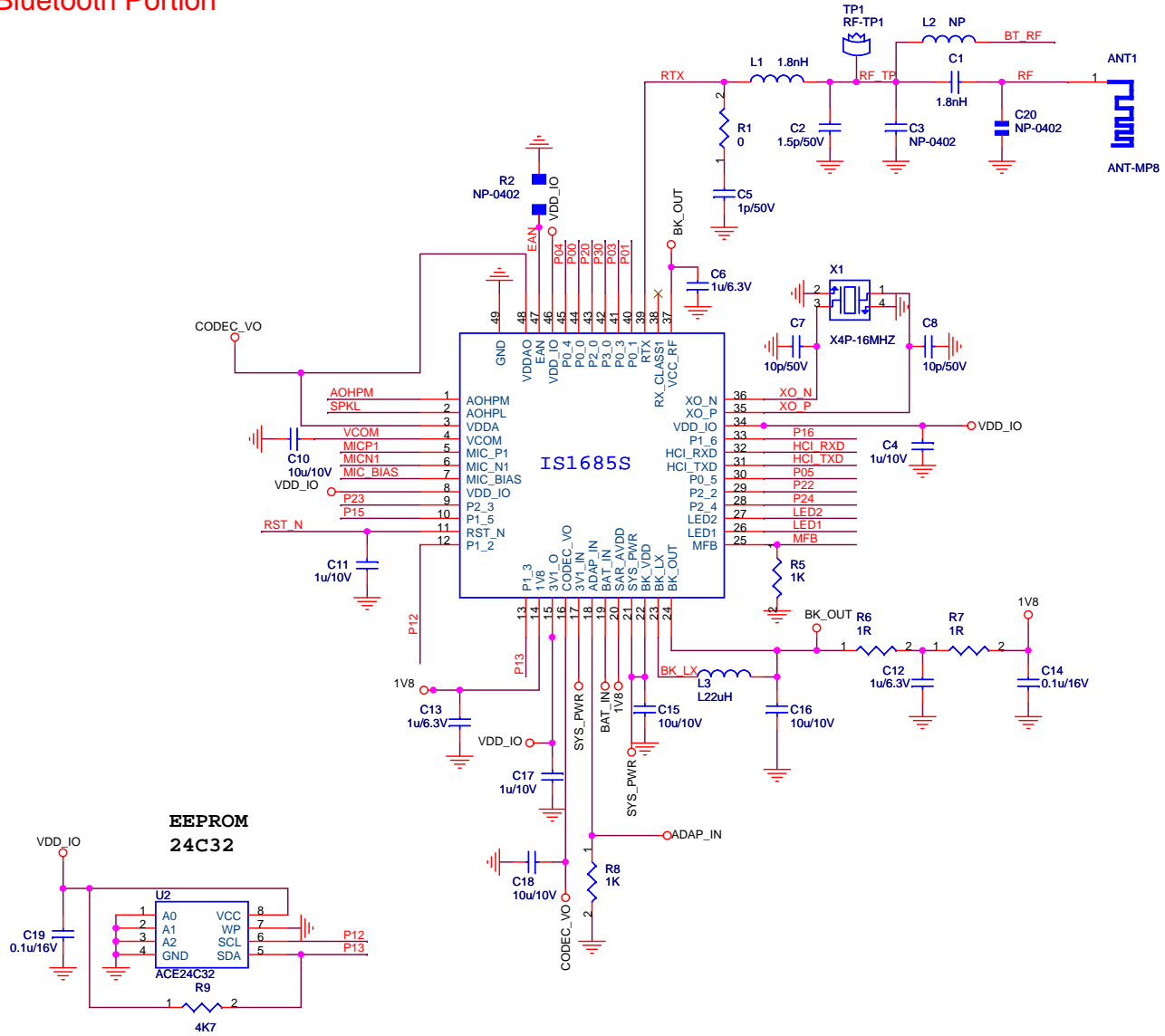
TEST POINT



- NS4158焊接
- 高有效 R9-47K R3-NC R42-NC R42-NC
- NS4150焊接
- R42
- XPT2008/8002
- XPT4871

# Bluetooth Portion

# PIN DEFINITION



### GPIO Description

P00	Slide Switch Detect/TX_IND
P03	RX_IND
P04	NFC
P05	Play/Pause
P15	VOL-
P16	Audio AMP Enable
P20	System Configuration
P23	VO+

**MYLAND**

Title Rm.3,3/F.,Block B,Tonic Ind.Centre,19 Lam Hing Street, Kowloon Bay,Kowloon,Hong Kong. Hong Kong:Tel :852-23312212  
 HONG KONG:Fax: 852-27573135 China:Fax:86-755-26690667

Size B	Document Number YAYA	MYBM85SPK02	Rev REV1.0
--------	----------------------	-------------	------------

Date: Saturday, September 29, 2012 Sheet 1 of 1