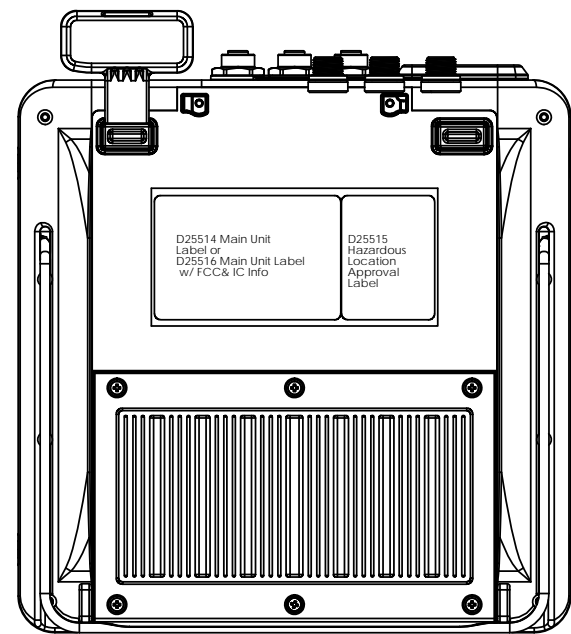
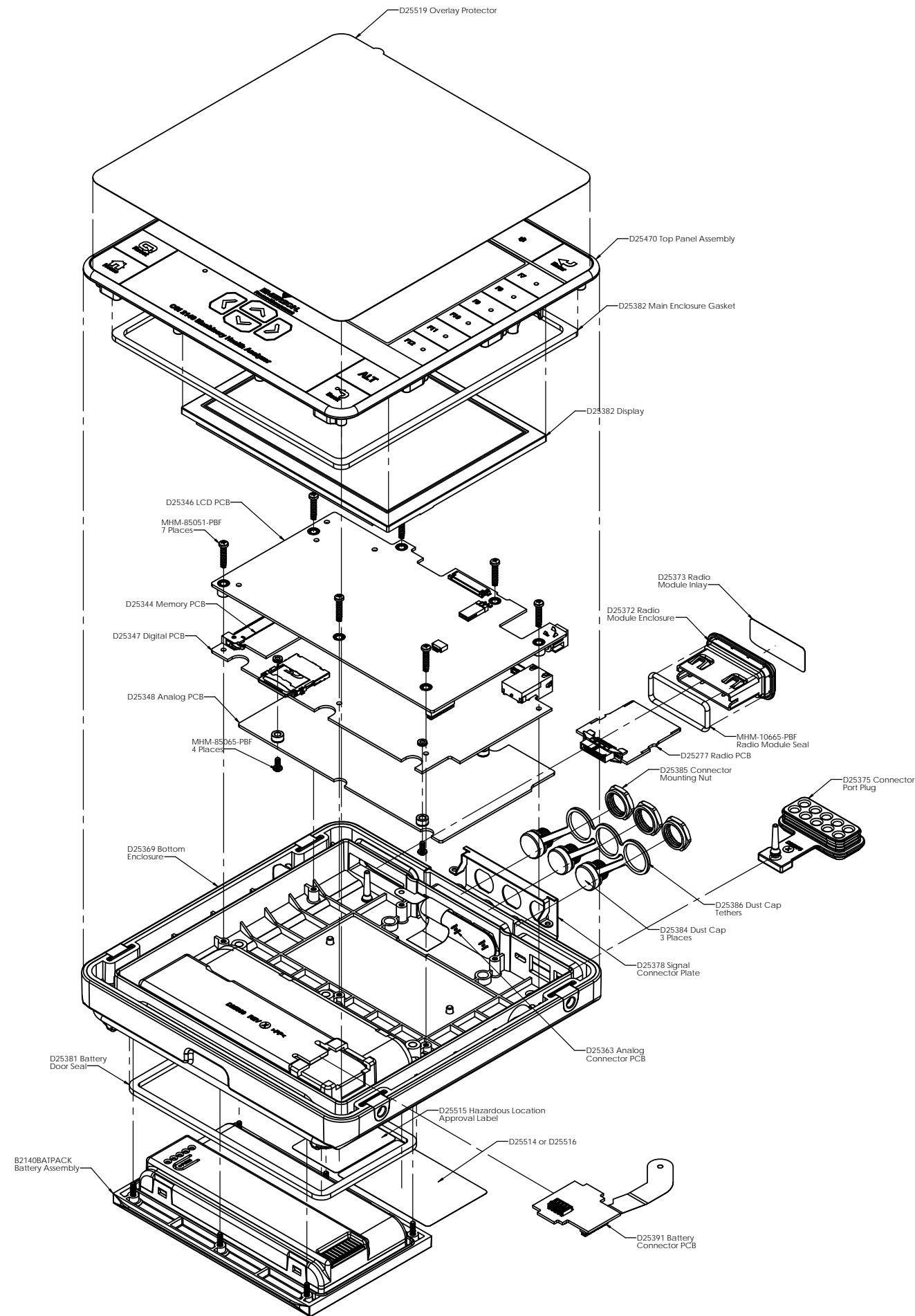


THIS DRAWING IS PROPERTY OF AND PROPRIETARY TO COMPUTATIONAL SYSTEMS INCORPORATED. THIS DRAWING AND THE INFORMATION CONTAINED HEREIN SHALL NOT BE REPRODUCED NOR DISCLOSED TO ANYONE EXCEPT THOSE REQUIRING ITS USE FOR CSI AUTHORIZED PURPOSES. THIS DOCUMENT SHALL BE DESTROYED OR RETURNED TO CSI WHEN NO LONGER REQUIRED FOR THOSE PURPOSES.

REV	ECO NO.	DATE
P01	Initial Draft	06-May-13
P02	Photo 2	30-Sept-2013
-	-	-
-	-	-
-	-	-
-	-	-
-	-	-
-	-	-



UNLESS OTHERWISE SPECIFIED		FOR REFERENCE ONLY		Computational Systems Incorporated Knoxville, TN.
DIMENSIONS ARE IN INCHES		DESIGNED BY	DATE	
TOLERANCES		B. Pardue	06-May-13	2140 Assembly Drawing
DECIMALS	.X = .000	D. Beeler	06-May-13	
	.XX = .000	D. Beeler	30-Sept-13	
	.XXX = .000	B. Pardue		
FRACTIONS	1/16	W. Hardin		DRAWING HELD PART NO. _____ FIRST USED MODEL NO. _____ FILE NO. _____ SHEET 1 of 1
ANGULAR	°/30'	DATE		E
FINISH		DOCUMENT CONTROL		
DO NOT SCALE THIS DRAWING				