

1GHz~ 40 GHz (Horizontal), Normal Mode, Channel 5 : 5260 MHz

Operator: Mailes Hsieh

RBW: 1 MHz
Humidity (%): 46
Temperature (C): 25

Frequency	Rx_R	Ant_F	Cab_L	PreAmpl	Emission	Limit	Margin	A.Tower	T.Table
MHz	dBuV	dB/m	dB	dB	dBuV/m	dBuV/m	dB	cm	deg
1467.53	62.85	26.46	0.83	46.21	43.94	54.00	-10.06	102	118
2201.20	52.80	30.62	1.08	46.20	38.29	54.00	-15.71	101	70
4571.23	50.53	33.70	1.87	46.66	39.44	54.00	-14.56	100	45
7793.61	46.12	40.46	2.46	44.72	44.32	54.00	-9.68	101	145
11690.2	38.49	42.29	3.05	42.03	41.80	54.00	-12.20	101	349
15777.6	41.90	43.69	5.73	41.87	49.45	54.00	-4.55	101	259

1GHz~ 40 GHz (Vertical), Normal Mode, Channel 5 : 5260 MHz

Operator: Mailes Hsieh

RBW: 1 MHz
Humidity (%): 46
Temperature (C): 25

Frequency	Rx_R	Ant_F	Cab_L	PreAmpl	Emission	Limit	Margin	A.Tower	T.Table
MHz	dBuV	dB/m	dB	dB	dBuV/m	dBuV/m	dB	cm	deg
2388.21	53.99	30.54	1.14	46.21	39.47	54.00	-14.53	101	74
3772.83	50.92	31.73	1.61	46.36	37.90	54.00	-16.10	101	66
4175.62	51.17	32.49	1.74	46.28	39.12	54.00	-14.88	103	52
7225.37	44.45	39.73	2.36	46.21	40.33	54.00	-13.67	101	135
11484.6	38.02	42.34	3.02	41.56	41.83	54.00	-12.17	100	322
15782.5	43.54	43.70	5.74	41.85	51.13	54.00	-2.87	100	275

Note: “ * ”: Fundamental Frequency

“ pk ”: peak reading

“ av ”: average reading

The Spectrum noise level+Correction Factor<Limit-6 dB

Margin = Corrected Amplitude – Limit

Corrected Amplitude=Radiated Amplitude+Antenna Correction Factor+Cable Loss-Pre-Amplifier Gain

A margin of -8dB means that the emission is 8dB below the limit.

The restricted band limit is 54dBuV, the out of band limit is 68.3dBuV. All test data can meet this both limit.

$$E = \frac{1000000 \cdot \sqrt{30P}}{3} \text{ nV / m, } -27\text{dBm EIRP} = 68.3 \text{ dBuV}$$

All frequencies from 1GHz to 40 GHz have been tested.

1GHz~ 40 GHz (Horizontal), Normal Mode, Channel 8: 5320 MHz

Operator: Mailes Hsieh

RBW: 1 MHz
Humidity (%): 46
Temperature (C): 25

Frequency	Rx_R.	Ant_F.	Cab_L.	PreAmpl	Emission	Limit	Margin	A.Tower	T.Table
MHz	dBuV	dB/m	dB	dB	dBuV/m	dBuV/m	dB	cm	deg
1877.52	53.76	29.70	0.97	46.20	38.22	54.00	-15.78	101	166
3869.93	51.38	31.84	1.64	46.25	38.61	54.00	-15.39	101	68
4326.67	51.09	32.91	1.79	46.43	39.37	54.00	-14.63	100	66
7746.85	45.61	40.29	2.45	44.93	43.42	54.00	-10.58	102	42
11142.0	38.34	41.04	2.98	40.82	41.54	54.00	-12.46	101	302
15958.7	41.10	44.27	5.99	41.27	50.09	54.00	-3.91	102	150

1GHz~ 40 GHz (Vertical), Normal Mode, Channel 8: 5320 MHz

Operator: Mailes Hsieh

RBW: 1 MHz
Humidity (%): 46
Temperature (C): 25

Frequency	Rx_R.	Ant_F.	Cab_L.	PreAmpl	Emission	Limit	Margin	A.Tower	T.Table
MHz	dBuV	dB/m	dB	dB	dBuV/m	dBuV/m	dB	cm	deg
7991.41	45.57	41.17	2.50	43.79	45.45	54.00	-8.55	102	145
1708.49	60.56	28.31	0.91	46.21	43.57	54.00	-10.43	102	101
2391.81	53.78	30.54	1.14	46.21	39.26	54.00	-14.74	100	82
4060.54	50.72	32.17	1.70	46.17	38.42	54.00	-15.58	101	44
11323.1	37.86	41.73	3.00	41.21	41.38	54.00	-12.62	100	204
15958.7	41.16	44.27	5.99	41.27	50.16	54.00	-3.84	102	210

Note: “ * ”: Fundamental Frequency

“ pk ”: peak reading

“ av ”: average reading

The Spectrum noise level+Correction Factor<Limit-6 dB

Margin = Corrected Amplitude – Limit

Corrected Amplitude=Radiated Amplitude+Antenna Correction Factor+Cable Loss-Pre-Amplifier Gain

A margin of -8dB means that the emission is 8dB below the limit.

The restricted band limit is 54dBuV, the out of band limit is 68.3dBuV. All test data can meet this both limit.

$$E = \frac{1000000\sqrt{30P}}{3} \text{ nV / m, } -27\text{dBm EIRP } = 68.3 \text{ dBuV}$$

All frequencies from 1GHz to 40 GHz have been tested.

1GHz~ 40 GHz (Horizontal), Normal Mode, Channel 9: 5745 MHz

Operator: Mailes Hsieh

RBW: 1 MHz
Humidity (%): 46
Temperature (C): 25

Frequency	Rx_R.	Ant_F.	Cab_L.	PreAmpl	Emission	Limit	Margin	A.Tower	T.Table
MHz	dBuV	dB/m	dB	dB	dBuV/m	dBuV/m	dB	cm	deg
3715.28	51.41	31.66	1.59	46.42	38.23	54.00	-15.77	102	225
4110.89	50.93	32.31	1.72	46.22	38.74	54.00	-15.26	102	95
4438.16	51.07	33.23	1.83	46.54	39.59	54.00	-14.41	100	85
7829.57	45.05	40.59	2.47	44.55	43.55	54.00	-10.45	101	42
11425.9	38.50	42.12	3.02	41.43	42.20	54.00	-11.80	102	177
17231.5	39.64	46.69	6.31	42.09	50.55	54.00	-3.45	102	304

1GHz~ 40 GHz (Vertical), Normal Mode, Channel 9: 5745 MHz

Operator: Mailes Hsieh

RBW: 1 MHz
Humidity (%): 46
Temperature (C): 25

Frequency	Rx_R.	Ant_F.	Cab_L.	PreAmpl	Emission	Limit	Margin	A.Tower	T.Table
MHz	dBuV	dB/m	dB	dB	dBuV/m	dBuV/m	dB	cm	deg
2769.43	54.48	30.66	1.27	46.41	40.01	54.00	-13.99	101	72
4074.93	51.00	32.21	1.71	46.18	38.73	54.00	-15.27	101	63
4362.64	50.96	33.02	1.80	46.47	39.31	54.00	-14.69	101	45
7649.75	45.14	39.94	2.44	45.39	42.13	54.00	-11.87	100	226
11504.2	38.52	42.40	3.03	41.60	42.34	54.00	-11.66	102	320
17231.5	39.68	46.69	6.31	42.09	50.59	54.00	-3.41	102	150

Note: “ * ”: Fundamental Frequency

“ pk ”: peak reading

“ av ”: average reading

The Spectrum noise level+Correction Factor<Limit-6 dB

Margin = Corrected Amplitude – Limit

Corrected Amplitude=Radiated Amplitude+Antenna Correction Factor+Cable Loss-Pre-Amplifier Gain

A margin of -8dB means that the emission is 8dB below the limit.

The restricted band limit is 54dBuV, the out of band limit is 68.3dBuV. All test data can meet this both limit.

$$E = \frac{1000000\sqrt{30P}}{3} \text{ nV / m, } -27\text{dBm EIRP } = 68.3 \text{ dBuV}$$

All frequencies from 1GHz to 40 GHz have been tested.

1GHz~ 40 GHz (Horizontal), Normal Mode, Channel 12 : 5805 MHz

Operator: Mailes Hsieh

RBW: 1 MHz
Humidity (%): 46
Temperature (C): 25

Frequency	Rx_R.	Ant_F.	Cab_L.	PreAmpl	Emission	Limit	Margin	A.Tower	T.Table
MHz	dBuV	dB/m	dB	dB	dBuV/m	dBuV/m	dB	cm	deg
4013.79	51.12	32.04	1.69	46.12	38.72	54.00	-15.28	101	273
4125.27	50.78	32.35	1.72	46.23	38.62	54.00	-15.38	100	5
4373.43	51.42	33.05	1.81	46.48	39.80	54.00	-14.20	101	116
7225.37	45.30	39.73	2.36	46.21	41.18	54.00	-12.82	102	65
11626.6	38.38	42.32	3.04	41.88	41.87	54.00	-12.13	101	222
17412.6	39.42	47.24	6.28	42.17	50.77	54.00	-3.23	100	197

1GHz~ 40 GHz (Vertical), Normal Mode, Channel 12 : 5805 MHz

Operator: Mailes Hsieh

RBW: 1 MHz
Humidity (%): 46
Temperature (C): 25

Frequency	Rx_R.	Ant_F.	Cab_L.	PreAmpl	Emission	Limit	Margin	A.Tower	T.Table
MHz	dBuV	dB/m	dB	dB	dBuV/m	dBuV/m	dB	cm	deg
1222.98	59.48	25.44	0.75	46.10	39.57	54.00	-14.43	101	265
2391.81	53.55	30.54	1.14	46.21	39.02	54.00	-14.98	100	124
4168.43	50.86	32.47	1.74	46.28	38.79	54.00	-15.21	100	78
7840.36	44.80	40.63	2.47	44.50	43.40	54.00	-10.60	101	192
11562.9	38.20	42.36	3.03	41.73	41.86	54.00	-12.14	100	26
17407.7	39.24	47.22	6.28	42.16	50.58	54.00	-3.42	101	301

Note: “ * ”: Fundamental Frequency

“ pk ”: peak reading

“ av ”: average reading

The Spectrum noise level+Correction Factor<Limit-6 dB

Margin = Corrected Amplitude – Limit

Corrected Amplitude=Radiated Amplitude+Antenna Correction Factor+Cable Loss-Pre-Amplifier Gain

A margin of -8dB means that the emission is 8dB below the limit.

The restricted band limit is 54dBuV, the out of band limit is 68.3dBuV. All test data can meet this both limit.

$$E = \frac{1000000 \sqrt{30P}}{3} \text{ nV / m, } -27\text{dBm EIRP } = 68.3 \text{ dBuV}$$

All frequencies from 1GHz to 40 GHz have been tested.

1GHz~ 40 GHz (Horizontal), Turbo Mode, Channel 1: 5210 MHz

Operator: Mailes Hsieh

RBW: 1 MHz
Humidity (%): 46
Temperature (C): 25

Frequency	Rx_R.	Ant_F.	Cab_L.	PreAmpl	Emission	Limit	Margin	A.Tower	T.Table
MHz	dBuV	dB/m	dB	dB	dBuV/m	dBuV/m	dB	cm	deg
3096.70	52.52	30.92	1.38	46.59	38.23	54.00	-15.77	101	75
3967.03	51.38	31.96	1.67	46.15	38.86	54.00	-15.14	101	67
4362.64	51.22	33.02	1.80	46.47	39.57	54.00	-14.43	101	43
7869.13	45.11	40.73	2.48	44.36	43.95	54.00	-10.05	100	215
11293.7	37.92	41.62	3.00	41.14	41.39	54.00	-12.61	101	75
15532.9	44.80	42.91	5.38	42.68	50.40	54.00	-3.60	102	213

1GHz~ 40 GHz (Vertical), Turbo Mode, Channel 1: 5210 MHz

Operator: Mailes Hsieh

RBW: 1 MHz
Humidity (%): 46
Temperature (C): 25

Frequency	Rx_R.	Ant_F.	Cab_L.	PreAmpl	Emission	Limit	Margin	A.Tower	T.Table
MHz	dBuV	dB/m	dB	dB	dBuV/m	dBuV/m	dB	cm	deg
3096.70	52.52	30.92	1.38	46.59	38.23	54.00	-15.77	102	160
3967.03	51.38	31.96	1.67	46.15	38.86	54.00	-15.14	101	62
4362.64	51.22	33.02	1.80	46.47	39.57	54.00	-14.43	101	43
7754.05	45.43	40.31	2.45	44.90	43.30	54.00	-10.70	100	236
11132.2	37.96	41.00	2.98	40.80	41.14	54.00	-12.86	100	74
15537.8	44.59	42.92	5.38	42.66	50.23	54.00	-3.77	100	284

Note: “ * ”: Fundamental Frequency

“ pk ”: peak reading

“ av ”: average reading

The Spectrum noise level+Correction Factor<Limit-6 dB

Margin = Corrected Amplitude – Limit

Corrected Amplitude=Radiated Amplitude+Antenna Correction Factor+Cable Loss-Pre-Amplifier Gain

A margin of -8dB means that the emission is 8dB below the limit.

The restricted band limit is 54dBuV, the out of band limit is 68.3dBuV. All test data can meet this both limit.

$$E = \frac{1000000\sqrt{30P}}{3} \text{ nV / m, } -27\text{dBm EIRP } = 68.3 \text{ dBuV}$$

All frequencies from 1GHz to 40 GHz have been tested.

1GHz~ 40 GHz (Horizontal) , Turbo Mode, Channel 2 : 5250 MHZ

Operator: Mailes Hsieh

RBW: 1 MHz
Humidity (%): 46
Temperature (C): 25

Frequency	Rx_R.	Ant_F.	Cab_L.	PreAmpl	Emission	Limit	Margin	A.Tower	T.Table
MHz	dBuV	dB/m	dB	dB	dBuV/m	dBuV/m	dB	cm	deg
7811.59	45.19	40.52	2.47	44.63	43.54	54.00	-10.46	102	89
3862.74	51.88	31.84	1.64	46.26	39.09	54.00	-14.91	101	47
4107.29	50.79	32.30	1.72	46.22	38.59	54.00	-15.41	101	46
4564.04	50.55	33.67	1.87	46.66	39.43	54.00	-14.57	101	172
11362.2	38.20	41.88	3.01	41.29	41.79	54.00	-12.21	100	111
15753.1	40.84	43.61	5.69	41.95	48.20	54.00	-5.80	101	143

1GHz~ 40 GHz (Vertical), Turbo Mode, Channel 2: 5250 MHZ

Operator: Mailes Hsieh

RBW: 1 MHz
Humidity (%): 46
Temperature (C): 25

Frequency	Rx_R.	Ant_F.	Cab_L.	PreAmpl	Emission	Limit	Margin	A.Tower	T.Table
MHz	dBuV	dB/m	dB	dB	dBuV/m	dBuV/m	dB	cm	deg
2118.48	53.88	30.65	1.05	46.20	39.38	54.00	-14.62	102	123
3895.10	51.55	31.87	1.65	46.22	38.84	54.00	-15.16	102	113
4146.85	51.26	32.41	1.73	46.25	39.15	54.00	-14.85	101	40
7800.80	44.95	40.48	2.46	44.68	43.21	54.00	-10.79	101	176
10975.5	37.96	40.45	2.95	40.53	40.84	54.00	-13.16	101	147
15753.1	43.20	43.61	5.69	41.95	50.55	54.00	-3.45	102	209

Note: “ * ”: Fundamental Frequency

“ pk”: peak reading

“av”: average reading

The Spectrum noise level+Correction Factor<Limit-6 dB

Margin = Corrected Amplitude – Limit

Corrected Amplitude=Radiated Amplitude+Antenna Correction Factor+Cable Loss-Pre-Amplifier Gain

A margin of -8dB means that the emission is 8dB below the limit.

The restricted band limit is 54dBuV, the out of band limit is 68.3dBuV. All test data can meet this both limit.

$$(E = \frac{1000000 \sqrt{30P}}{3} \text{ nV} / m, -27\text{dBm EIRP} = 68.3 \text{ dBuV})$$

All frequencies from 1GHz to 40 GHz have been tested.

1GHz~ 40 GHz (Horizontal), Turbo Mode, Channel 3 : 5290 MHz

Operator: Mailes Hsieh

RBW: 1 MHz
Humidity (%): 46
Temperature (C): 25

Frequency	Rx_R	Ant_F	Cab_L	PreAmpl	Emission	Limit	Margin	A.Tower	T.Table
MHz	dBuV	dB/m	dB	dB	dBuV/m	dBuV/m	dB	cm	deg
3495.90	50.84	31.40	1.51	46.65	37.10	54.00	-16.90	102	152
3697.30	51.35	31.64	1.58	46.44	38.13	54.00	-15.87	102	90
4348.25	51.64	32.98	1.80	46.45	39.96	54.00	-14.04	101	60
7822.38	45.19	40.56	2.47	44.58	43.63	54.00	-10.37	100	209
11411.2	38.53	42.06	3.01	41.40	42.21	54.00	-11.79	102	90
15870.6	40.77	43.99	5.86	41.56	49.06	54.00	-4.94	102	213

1GHz~ 40 GHz (Vertical), Turbo Mode, Channel 3: 5290 MHz

Operator: Mailes Hsieh

RBW: 1 MHz
Humidity (%): 46
Temperature (C): 25

Frequency	Rx_R	Ant_F	Cab_L	PreAmpl	Emission	Limit	Margin	A.Tower	T.Table
MHz	dBuV	dB/m	dB	dB	dBuV/m	dBuV/m	dB	cm	deg
2391.81	53.41	30.54	1.14	46.21	38.88	54.00	-15.12	101	166
3341.26	50.67	31.21	1.46	46.63	36.71	54.00	-17.29	101	63
3873.53	50.94	31.85	1.64	46.25	38.18	54.00	-15.82	101	43
7318.88	44.59	39.62	2.38	46.17	40.42	54.00	-13.58	101	133
10990.2	37.86	40.48	2.96	40.52	40.78	54.00	-13.22	100	242
15860.8	42.00	43.95	5.85	41.59	50.21	54.00	-3.79	101	144

Note: “ * ”: Fundamental Frequency

“ pk ”: peak reading

“ av ”: average reading

The Spectrum noise level+Correction Factor<Limit-6 dB

Margin = Corrected Amplitude – Limit

Corrected Amplitude=Radiated Amplitude+Antenna Correction Factor+Cable Loss-Pre-Amplifier Gain

A margin of -8dB means that the emission is 8dB below the limit.

The restricted band limit is 54dBuV, the out of band limit is 68.3dBuV. All test data can meet this both limit.

$$E = \frac{1000000 \sqrt{30P}}{3} \text{ nV / m, } -27\text{dBm EIRP } = 68.3 \text{ dBuV}$$

All frequencies from 1GHz to 40 GHz have been tested.

1GHz~ 40 GHz (Horizontal), Turbo Mode, Channel 4 : 5760 MHz

Operator: Mailes Hsieh

RBW: 1 MHz
Humidity (%): 46
Temperature (C): 25

Frequency	Rx_R.	Ant_F.	Cab_L.	PreAmpl	Emission	Limit	Margin	A.Tower	T.Table
MHz	dBuV	dB/m	dB	dB	dBuV/m	dBuV/m	dB	cm	deg
1485.51	53.03	26.54	0.84	46.21	34.20	54.00	-19.80	102	167
2039.36	53.55	30.68	1.02	46.20	39.05	54.00	-14.95	102	91
3236.96	50.88	31.08	1.43	46.61	36.77	54.00	-17.23	101	52
7236.16	44.48	39.72	2.36	46.21	40.35	54.00	-13.65	100	198
11553.1	37.98	42.37	3.03	41.71	41.66	54.00	-12.34	102	168
17255.9	38.02	46.77	6.30	42.10	48.99	54.00	-5.01	100	34

1GHz~ 40 GHz (Vertical), Turbo Mode, Channel 4: 5760 MHz

Operator: Mailes Hsieh

RBW: 1 MHz
Humidity (%): 46
Temperature (C): 25

Frequency	Rx_R.	Ant_F.	Cab_L.	PreAmpl	Emission	Limit	Margin	A.Tower	T.Table
MHz	dBuV	dB/m	dB	dB	dBuV/m	dBuV/m	dB	cm	deg
2391.81	53.14	30.54	1.14	46.21	38.62	54.00	-15.38	100	51
3974.23	50.84	31.97	1.67	46.14	38.35	54.00	-15.65	102	95
4330.27	51.47	32.92	1.79	46.43	39.75	54.00	-14.25	101	54
7171.43	44.34	39.79	2.35	46.23	40.25	54.00	-13.75	101	141
11538.5	37.82	42.38	3.03	41.68	41.55	54.00	-12.45	102	194
17270.6	37.92	46.81	6.30	42.11	48.93	54.00	-5.07	100	111

Note: “ * ”: Fundamental Frequency

“ pk ”: peak reading

“ av ”: average reading

The Spectrum noise level+Correction Factor<Limit-6 dB

Margin = Corrected Amplitude – Limit

Corrected Amplitude=Radiated Amplitude+Antenna Correction Factor+Cable Loss-Pre-Amplifier Gain

A margin of -8dB means that the emission is 8dB below the limit.

The restricted band limit is 54dBuV, the out of band limit is 68.3dBuV. All test data can meet this both limit.

$$E = \frac{1000000 \sqrt{30P}}{3} \text{ nV / m, } -27\text{dBm EIRP } = 68.3 \text{ dBuV}$$

All frequencies from 1GHz to 40 GHz have been tested.

1GHz~ 40 GHz (Horizontal) , Turbo Mode, Channel 5 : 5800 MHZ

Operator: Mailes Hsieh

RBW: 1 MHz
Humidity (%): 46
Temperature (C): 25

Frequency	Rx_R.	Ant_F.	Cab_L.	PreAmpl	Emission	Limit	Margin	A.Tower	T.Table
MHz	dBuV	dB/m	dB	dB	dBuV/m	dBuV/m	dB	cm	deg
3848.35	50.82	31.82	1.63	46.27	38.00	54.00	-16.00	102	145
4038.96	50.88	32.11	1.70	46.15	38.54	54.00	-15.46	101	59
4344.66	50.98	32.97	1.80	46.45	39.30	54.00	-14.70	101	41
7854.75	44.89	40.68	2.47	44.43	43.61	54.00	-10.39	101	179
11587.4	37.57	42.35	3.04	41.79	41.16	54.00	-12.84	102	145
17251.0	36.74	46.75	6.30	42.10	47.70	54.00	-6.30	102	165

1GHz~ 40 GHz (Vertical), Turbo Mode, Channel 5: 5800 MHZ

Operator: Mailes Hsieh

RBW: 1 MHz
Humidity (%): 46
Temperature (C): 25

Frequency	Rx_R.	Ant_F.	Cab_L.	PreAmpl	Emission	Limit	Margin	A.Tower	T.Table
MHz	dBuV	dB/m	dB	dB	dBuV/m	dBuV/m	dB	cm	deg
1794.81	56.55	29.02	0.94	46.21	40.30	54.00	-13.70	101	65
4085.71	51.08	32.24	1.71	46.19	38.84	54.00	-15.16	101	45
4423.78	51.05	33.19	1.82	46.53	39.54	54.00	-14.46	101	41
7894.31	44.66	40.82	2.48	44.24	43.71	54.00	-10.29	100	197
11616.8	38.00	42.33	3.04	41.86	41.51	54.00	-12.49	102	78
17255.9	36.30	46.77	6.30	42.10	47.27	54.00	-6.73	102	168

Note: “ * ”: Fundamental Frequency

“ pk”: peak reading

“av”: average reading

The Spectrum noise level+Correction Factor<Limit-6 dB

Margin = Corrected Amplitude – Limit

Corrected Amplitude=Radiated Amplitude+Antenna Correction Factor+Cable Loss-Pre-Amplifier Gain

A margin of -8dB means that the emission is 8dB below the limit.

The restricted band limit is 54dBuV, the out of band limit is 68.3dBuV. All test data can meet this both limit.

$$E = \frac{1000000\sqrt{30P}}{3} \text{ nV / m, } -27\text{dBm EIRP } = 68.3 \text{ dBuV}$$

All frequencies from 1GHz to 40 GHz have been tested.

4.6 Band Edge Measurement (Section 15.407 (b) (1) (2))

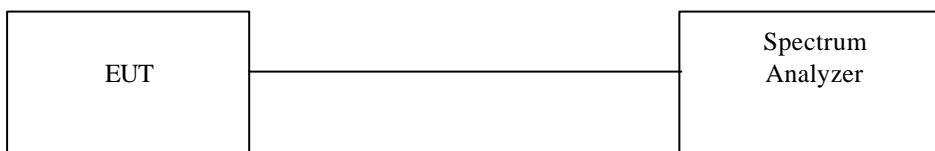
4.6.1 Test Procedure (Conducted)

1. The Transmitter output of EUT was connected to the spectrum analyzer.
Equipment mode: Spectrum analyzer

Peak Mode:	
SPAN	100MHz
RBW	1MHz
VBW	1MHz
Sweep Time	200msec.

2. Using Peak Search to read the peak power of Carrier frequencies after Maximum Hold function is completed.
3. Find the next peak frequency outside the operation frequency band.

4.6.2 Test Setup (Conducted)



4.6.3 Test Data (conducted):

Band Edge measurement (Conducted)

Temp. (deg. C): 25

Test Engr: Mailes Hsieh

Humidity (%): 50

Outside Channel	Frequency (MHz)	Spectrum Reading (dBuV)	Corrected Factor (dB)	Corrected Emissions (dBuV ERP)	Limit: (dBuV ERP)	Pass or Fail
Normal Mode						
1	5148.1	62.48	7.1	69.58	80	Pass
8	5353.8	63.74	7.1	70.84	80	Pass
9	5724.6	81.09	7.1	88.19	90	Pass
9	5713.2	68.74	7.1	75.84	80	Pass
12	5825	80.55	7.1	87.65	90	Pass
12	5835	65.58	7.1	72.68	80	Pass
Turbo Mode						
1	5144	59.09	7.1	66.19	80	Pass
3	5352.1	60.26	7.1	67.36	80	Pass
4	5725	79.52	7.1	86.62	90	Pass
4	5715	70.95	7.1	78.05	80	Pass
5	5826.7	79.85	7.1	86.95	90	Pass
5	5835	70.31	7.1	77.41	80	Pass

Note: Corrected Emissions=Spectrum + Corrected Factor
 Corrected Factor=Cable Loss+Antenna Peak Ga in (dBi)

Band Edge Conducted measurement (Normal Mode Channel 1)



Band Edge Conducted Measurement (Normal Mode Channel 8)



Band Edge Conducted measurement (Normal Mode Channel 9)



Band Edge Conducted Measurement (Normal Mode Channel 12)



Band Edge Conducted measurement (Turbo Mode Channel 1)



Band Edge Conducted Measurement (Turbo Mode Channel 3)



Band Edge Conducted measurement (Turbo Mode Channel 4)



Band Edge Conducted Measurement (Turbo Mode Channel 5)



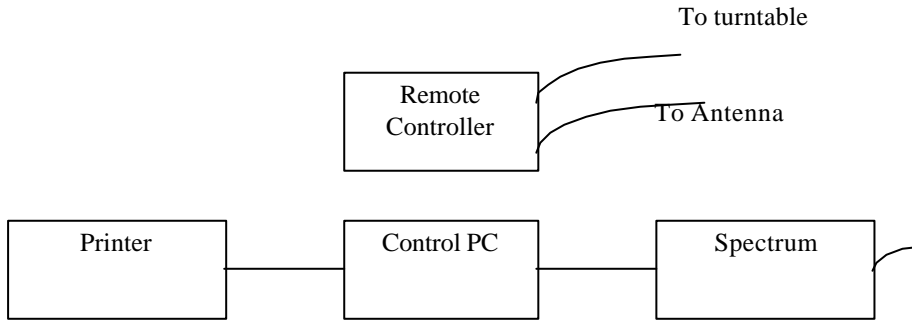
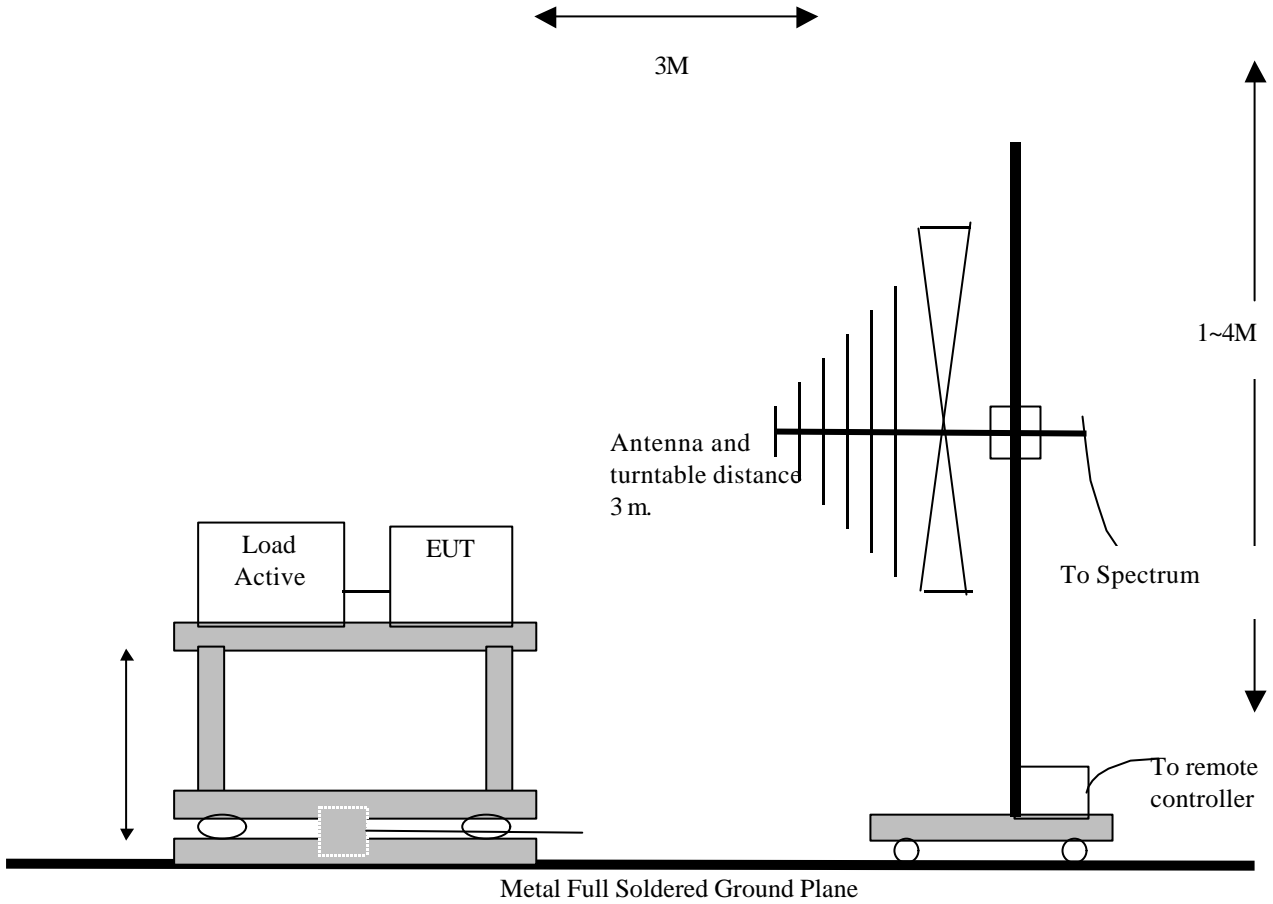
4.6.4 Bandedge Measurement Test Procedure (Radiated)

1. Antenna and Turntable test procedure same as Radiated Emissions measurement listed in Para. 6.5
Equipment mode: Spectrum analyzer

Peak Mode:	
SPAN	100MHz
RBW	1MHz
VBW	1MHz
Sweep Time	200msec.
AVE Mode:	
SPAN	100MHz
RBW	1MHz
VBW	10Hz
Sweep Time	20 sec.

2. Using Peak Search to read the peak power of Carrier frequencies after Maximun Hold function is completed.
3. Find the next peak frequency outside the operation frequency band.
4. Get the spectrum reading after Maximun Hold function is completed.

4.6.5 Test Setup (Radiated)



4.6.6 Test Data (Radiated):

Band Edge measurement (Radiated)

Temp. (deg. C): 25

Test Engr: Mailes
Hsieh

Humidity (%): 50

Outside Channel (Normal)	Frequency (MHz)	Spectrum Reading (dBuV)	Correction Factor (dB/m)	Emission Level (dBuV/m)	Limit (dBuV/m)	Pass/Fail
1 (Peak)	5134.8	22.16	38.21	60.37	74	Pass
1 (Average)	5136.6	7.8	38.21	46.01	54	Pass
8 (Peak)	5351	20.11	38.21	58.32	74	Pass
8 (Average)	5350.8	7.95	38.21	46.16	54	Pass
9 (Peak)	5713.2	23.38	38.21	61.59	74	Pass
9 (Average)	5715	9.08	38.21	47.29	54	Pass
12 (Peak)	5835.1	22.76	38.21	60.97	74	Pass
12 (Average)	5835.1	9.44	38.21	47.65	54	Pass

Outside Channel (Turbo)	Frequency (MHz)	Spectrum Reading (dBuV)	Correction Factor (dB/m)	Emission Level (dBuV/m)	Limit (dBuV/m)	Pass/Fail
1 (Peak)	5146.3	20.88	38.21	59.09	74	Pass
1 (Average)	5149.2	7.91	38.21	46.12	54	Pass
3 (Peak)	5350.9	22.31	38.21	60.52	74	Pass
3 (Average)	5350.2	7.97	38.21	46.18	54	Pass
4 (Peak)	5715	26.7	38.21	64.91	74	Pass
4 (Average)	5715	11.14	38.21	49.35	54	Pass
5 (Peak)	5836.1	28.12	38.21	66.33	74	Pass
5 (Average)	5835	13.24	38.21	51.45	54	Pass

Note: “pk”: peak reading
 “av”: average reading
 Emission Level=Spectrum Reading+Correction Factor
 Correction Factor =Antenna Factor+cable loss

Both Horizontal and Vertical polarization have been tested and the worst data is listed above.

The restricted band limit is 54dBuV, the out of band limit is 68.3dBuV. All test data can meet this both limit.

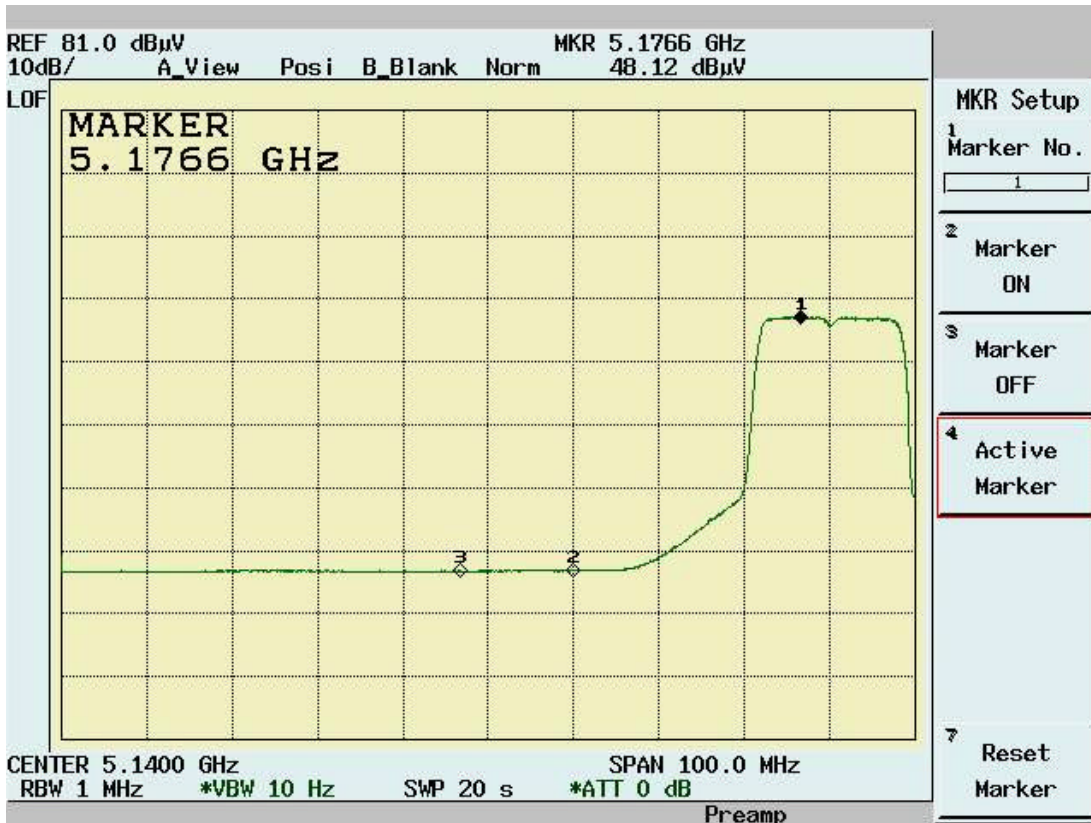
$$E = \frac{1000000 \sqrt{30P}}{3} \text{ mV / m, } -27\text{dBm EIRP} = 68.3 \text{ dBuV}$$

Band Edge measurement for radiated emission in Restricted Band(Radiated)

Normal Mode (Channel 1) Peak data



Normal Mode (Channel 1) Average Data



Normal Mode (Channel 8) Peak data



Normal Mode (Channel 8) Average data



Normal Mode (Channel 9) Peak data



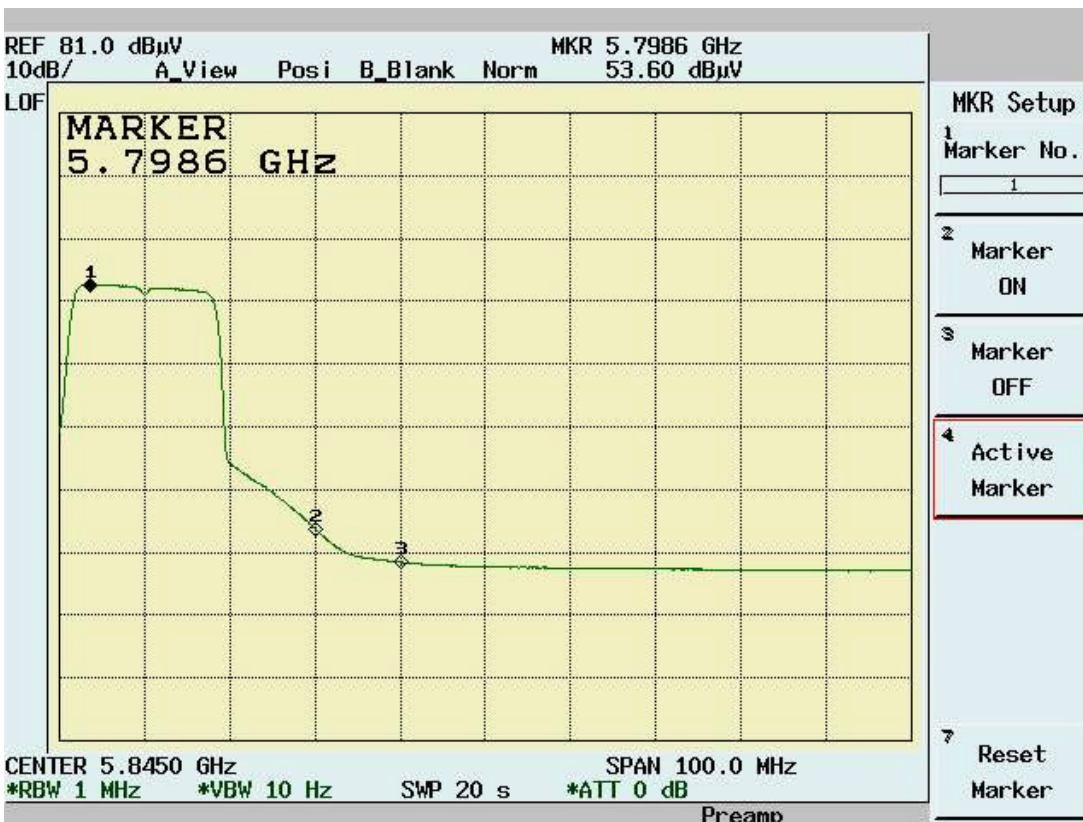
Normal Mode (Channel 9) Average Data



Normal Mode (Channel 12) Peak data



Normal Mode (Channel 12) Average Data



Band Edge measurement for radiated emission in Restricted Band(Radiated)
Turbo Mode (Channel 1) Peak data



Turbo Mode (Channel 1) Average data



Turbo Mode (Channel 3) Peak data



Turbo Mode (Channel 3) Average Data

