

EXHIBIT 5
BLOCK DIAGRAM

(FOLLOWS THIS PAGE)

BLOCK DIAGRAM
FCC ID: NHVWBU43

EXHIBIT 5

ALPS ELECTRIC Co., LTD

3. Block Diagram. 1) Transmitter

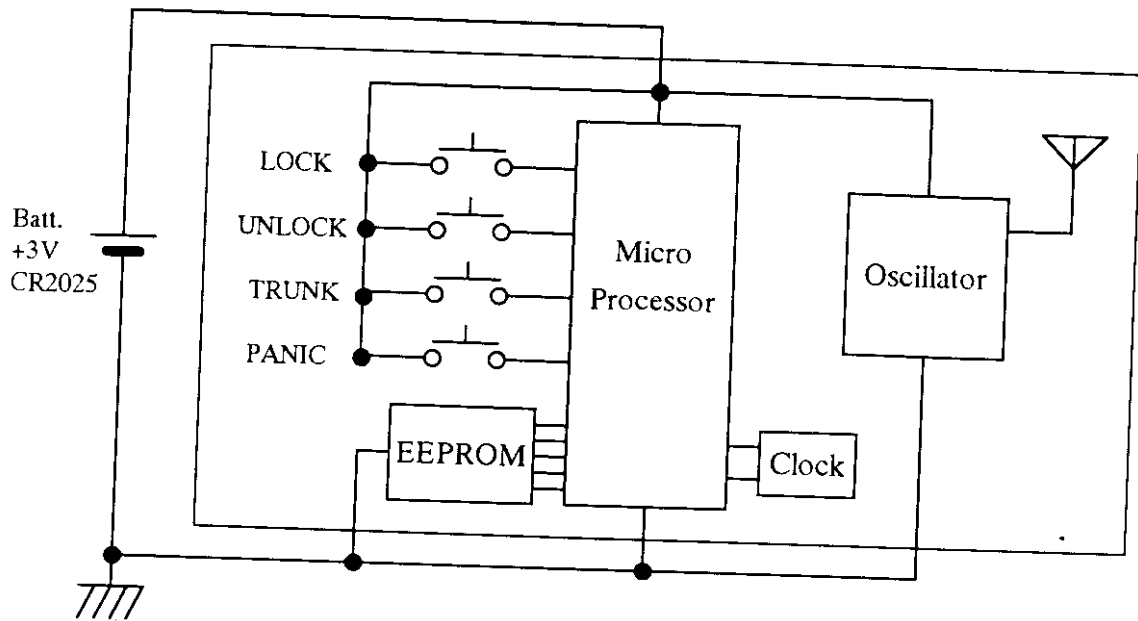


EXHIBIT 6
CIRCUIT DESCRIPTION

Encoder IC1 provides a series of pulses to pulse modulate gain and frequency stabilized oscillator TR1.

CIRCUIT DESCRIPTION
FCC ID: NHVWBU43

EXHIBIT 6

ws/pt15/alpsU43.tx