

1.1 Block diagram

The block diagram graphically represents the rough design of the HW unit in a structured form.

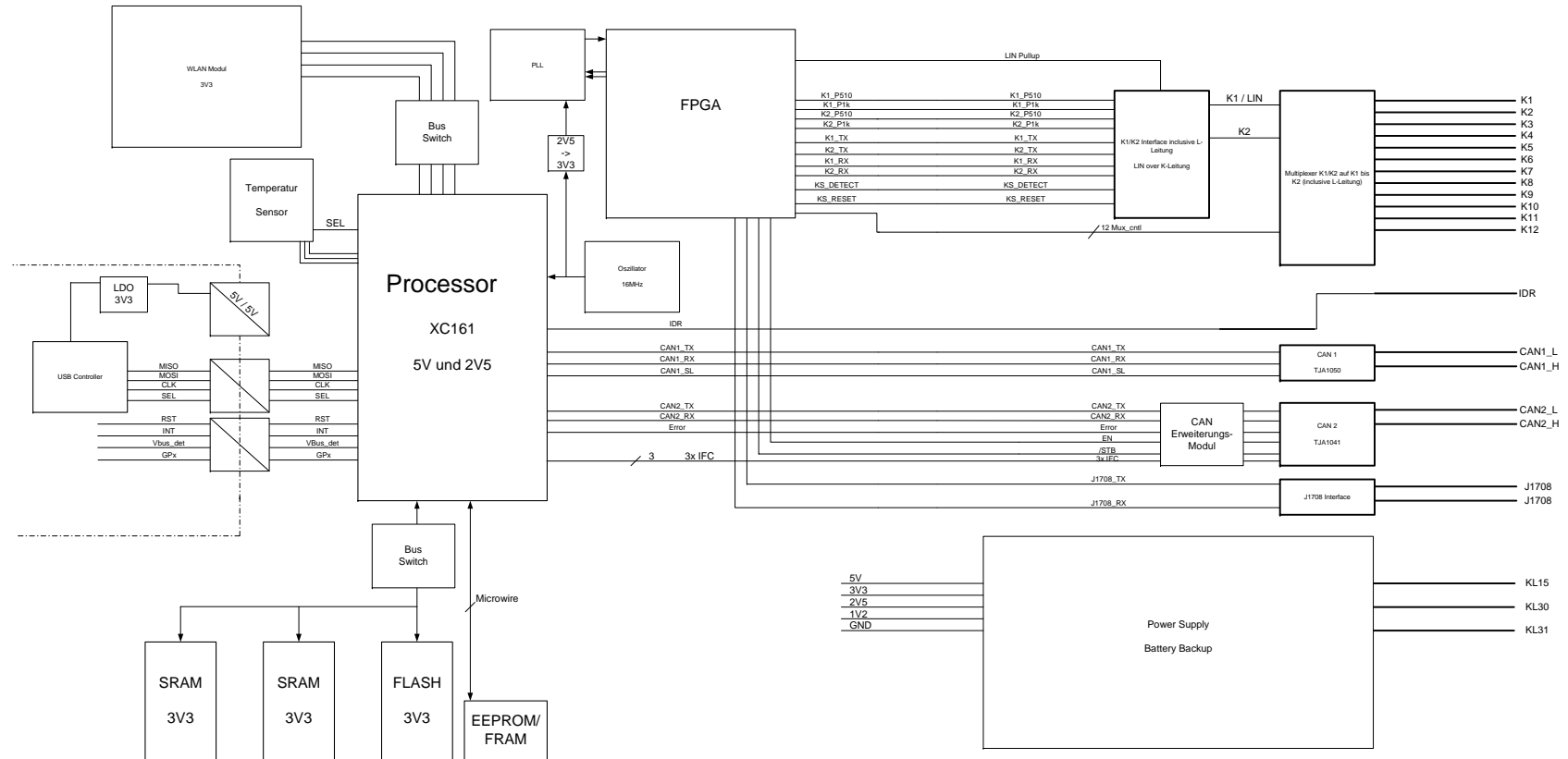


Figure: Block diagram