

# External photos

Electronic model: GRT7.23

Commercial Model: GRT7.2300, GRT7.2300 EE, GRT7.2310

# Content

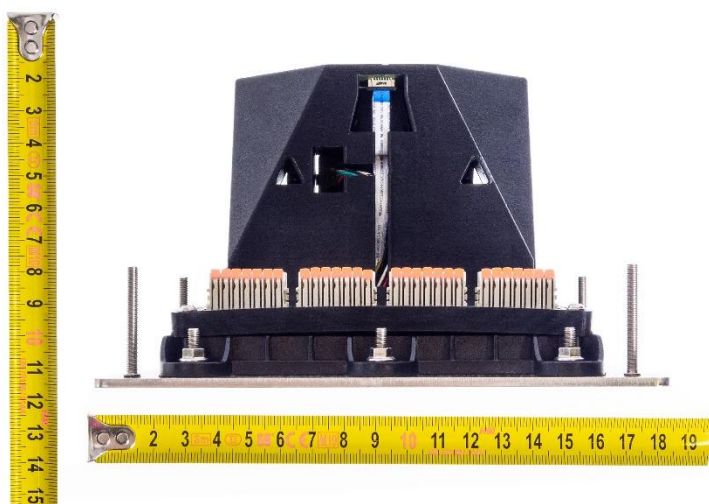
- 1. GRT7.2300 ..... 3
  - 1.1. Overview ..... 3
  - 1.2. Top view ..... 3
  - 1.3. Front view ..... 4
  - 1.4. Left view ..... 4
  - 1.5. Bottom view..... 5
  - 1.6. Back view ..... 5
  - 1.7. Right view ..... 6
- 2. GRT7.2300 EE..... 7
  - 2.1. Overview ..... 7
  - 2.2. Top view ..... 7
  - 2.3. Front view ..... 8
  - 2.4. Left view ..... 8
  - 2.5. Bottom view..... 9
  - 2.6. Back view ..... 9
  - 2.7. Right view ..... 10
- 3. GRT7.2310 ..... 11
  - 3.1. Overview ..... 11
  - 3.2. Top view ..... 11
  - 3.3. Front view ..... 12
  - 3.4. Left view ..... 12
  - 3.5. Bottom view..... 13
  - 3.6. Back view ..... 13
  - 3.7. Right view ..... 14
- 4. History ..... 14

# 1. GRT7.2300

## 1.1. Overview



## 1.2. Top view



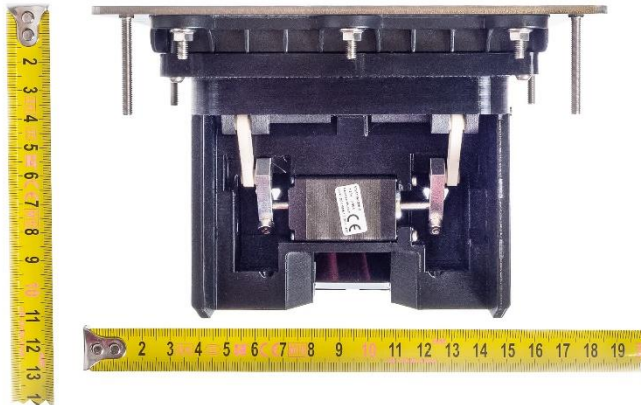
### 1.3. Front view



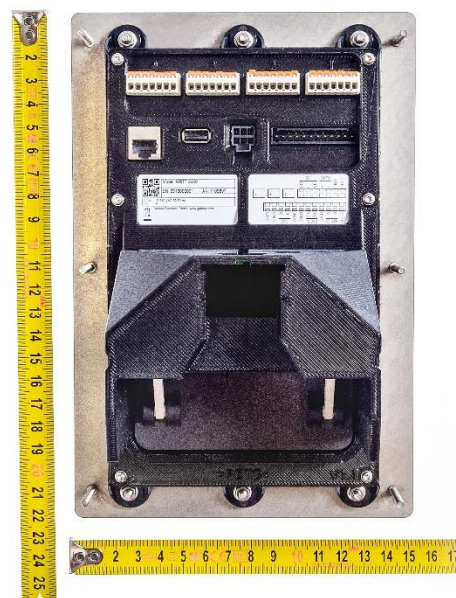
### 1.4. Left view



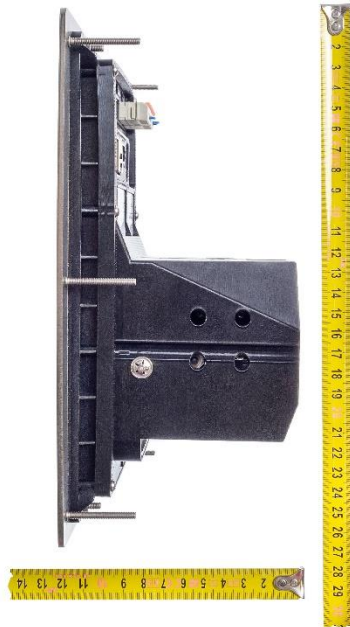
## 1.5. Bottom view



## 1.6. Back view



## 1.7. Right view

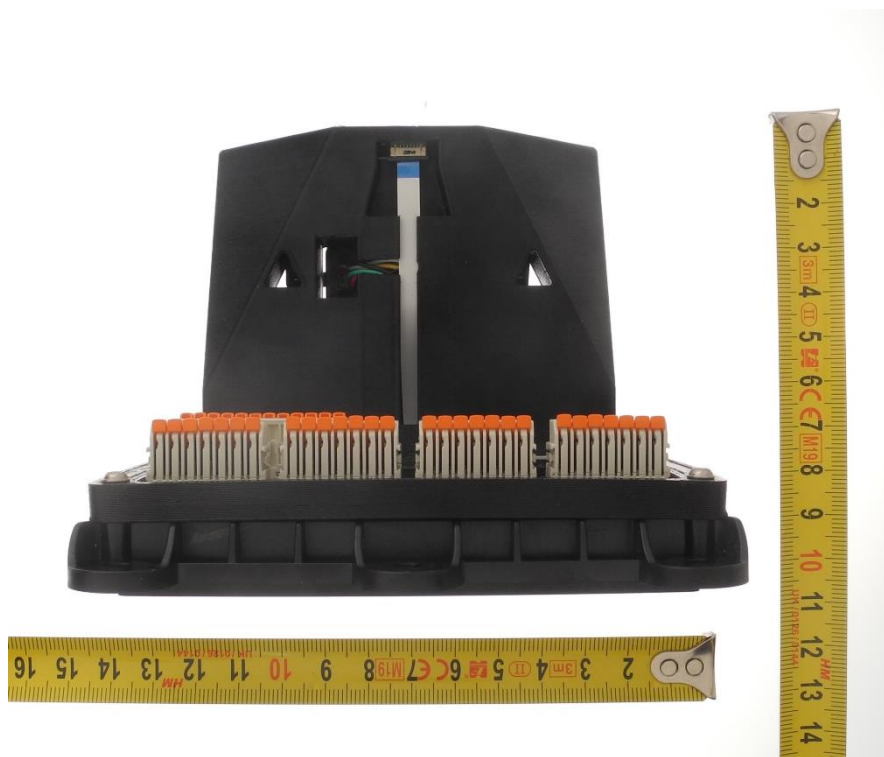


## 2.GRT7.2300 EE

### 2.1. Overview



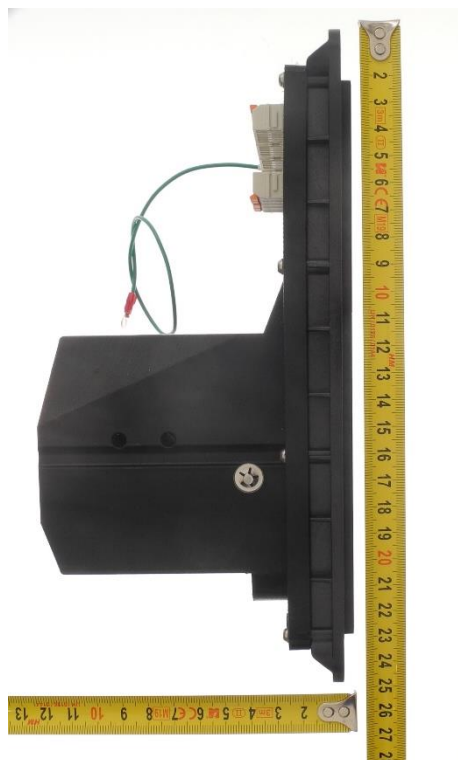
### 2.2. Top view



### 2.3. Front view

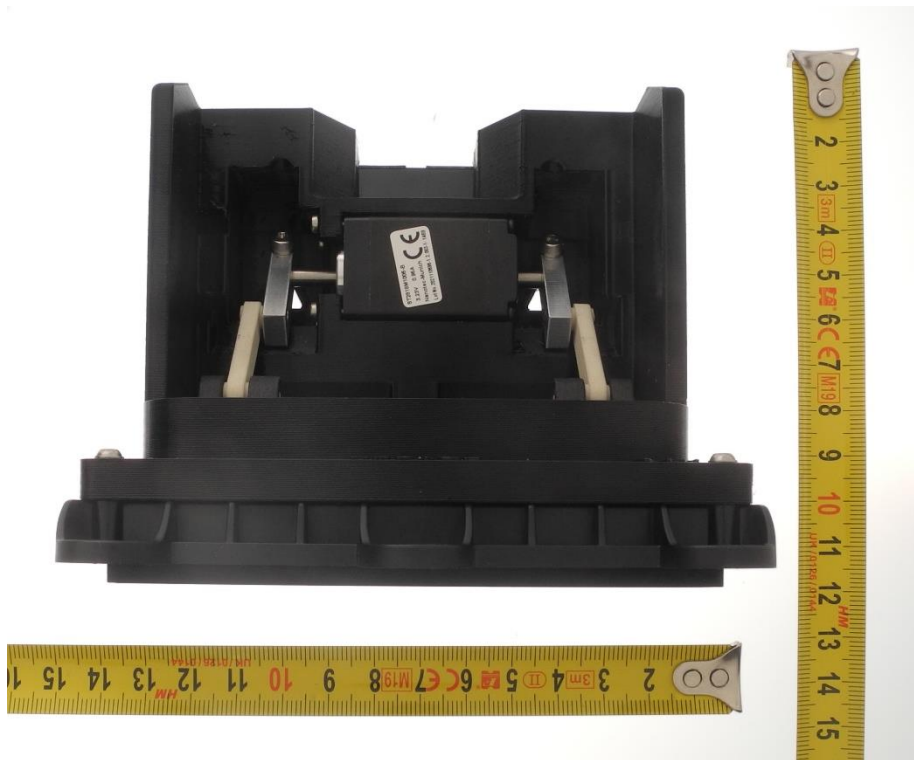


### 2.4. Left view





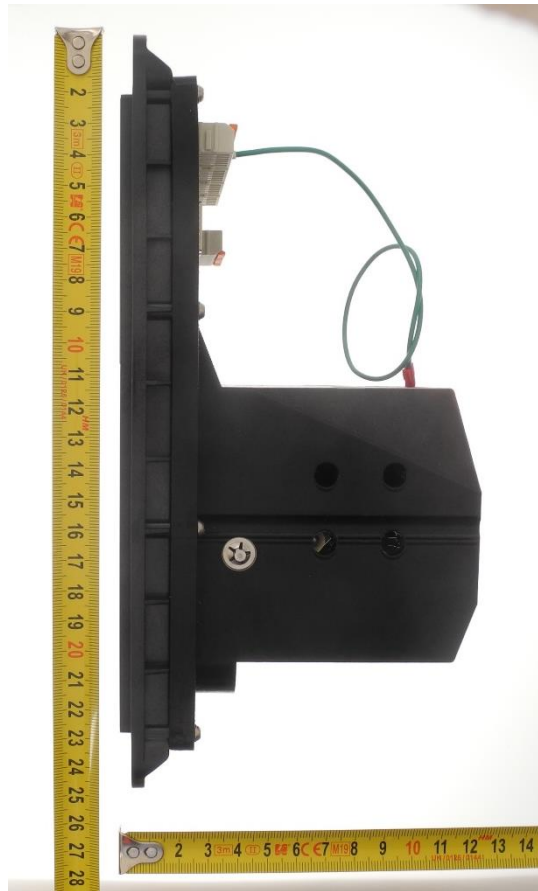
## 2.5. Bottom view



## 2.6. Back view



## 2.7. Right view

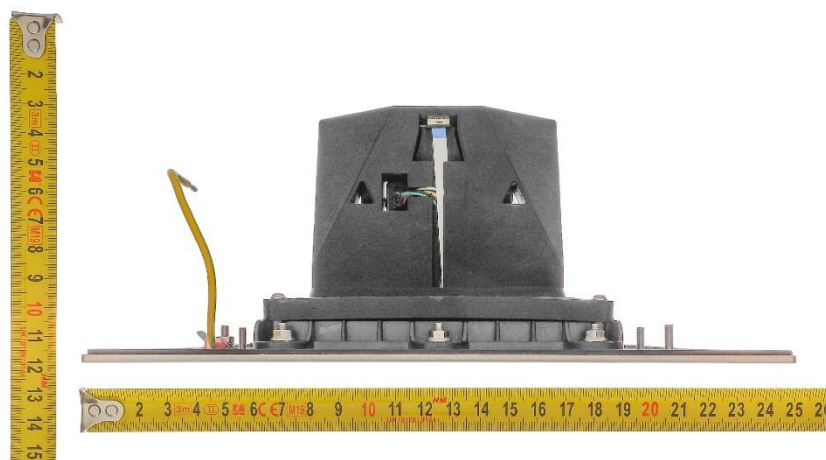


## 3.GRT7.2310

### 3.1. Overview



### 3.2. Top view



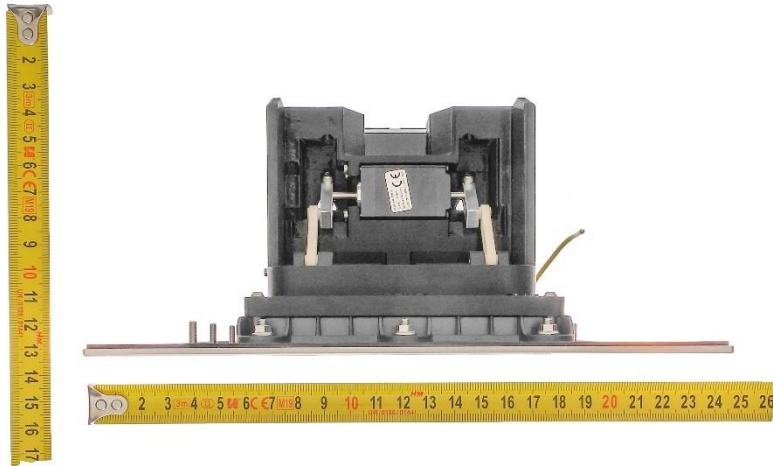
### 3.3. Front view



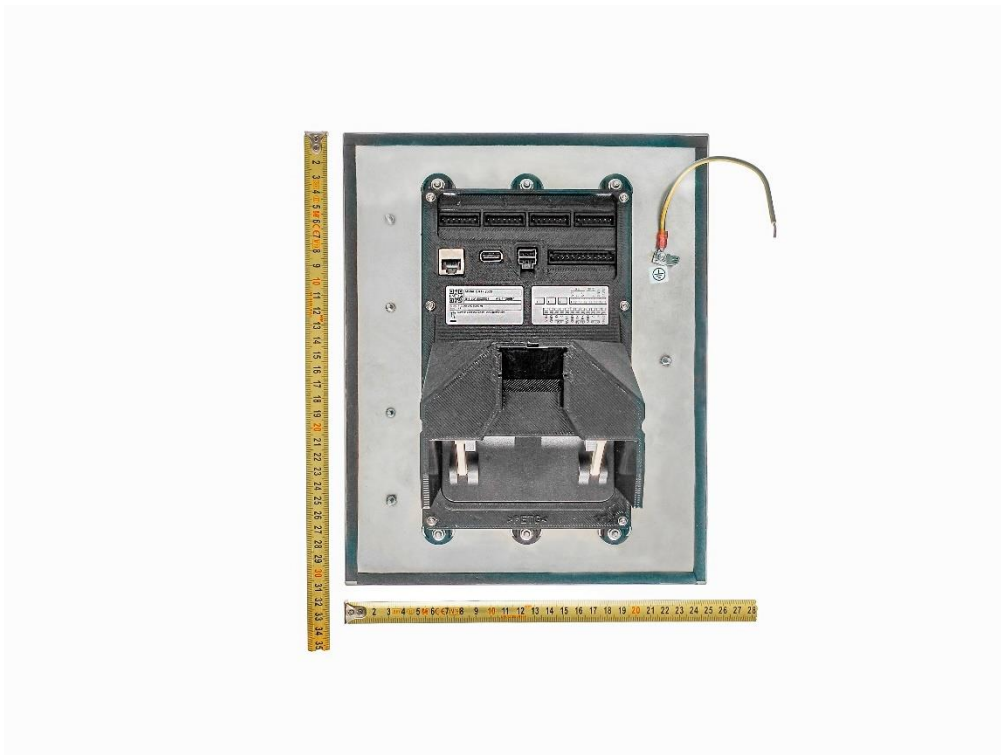
### 3.4. Left view



### 3.5. Bottom view



### 3.6. Back view



### 3.7. Right view







## 4. History


Version	Author	Description
1.0	Jochum M.	First edition

# 1. Label(s)





Label 1: 50.8 mm x 25.4 mm

	<b>GRT7.2300</b>	
	Model: GRT7.23	
	<b>SN: 1234567890</b>	<b>AN: 1109897</b>
IC: 11873A-2240257A		FCC ID: NC4-GEA2240257A
U (in): 24 VDC I (in): 1,66 A		
Gantner Electronic GmbH, <a href="http://www.gantner.com">www.gantner.com</a>		
  		

Label 2: 50.8 mm x 25.4 mm

	<b>GRT7.2300 EE</b>	
	Model: GRT7.23	
	<b>SN: 1234567890</b>	<b>AN: 1111002</b>
IC: 11873A-2240256A		FCC ID: NC4-GEA2240256A
U (in): 100-240 VAC 50/60 Hz I (in): 1 A		
Gantner Electronic GmbH, <a href="http://www.gantner.com">www.gantner.com</a>		
  		

Label 3: 50.8 mm x 25.4 mm

	<b>GRT7.2310</b>	
	Model: GRT7.23	
	<b>SN: 1234567890</b>	<b>AN: 1111217</b>
IC: 11873A-2240256A		FCC ID: NC4-GEA2240256A
U (in): 100-240 VAC 50/60 Hz I (in): 1 A		
Gantner Electronic GmbH, <a href="http://www.gantner.com">www.gantner.com</a>		
  		

Label 4: 25.4 mm x 12.7 mm

<p>This device contains          FCC ID: QWO-QS9322PLCS          IC: 4460A-QS9322PLCS</p>
---

## 2.Location

Backside. One label on the frame and one label on the housing.

### 1.1. GRT7.2300





### 1.2. GRT7.2300 EE



### 1.3. GRT7.2310



## 3. History

Version	Author	Description
1.0	Jochum M.	First edition