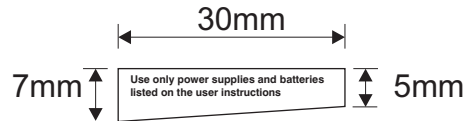
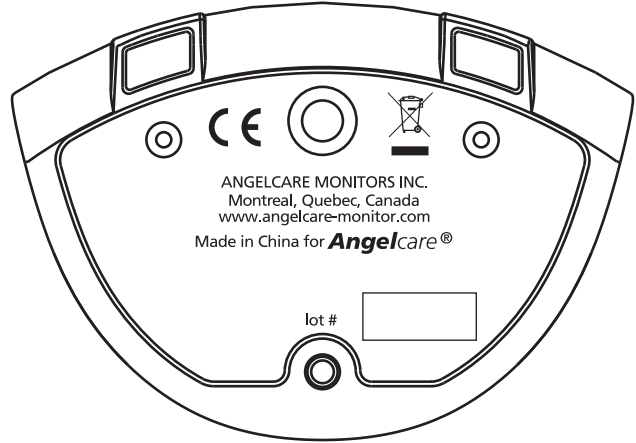
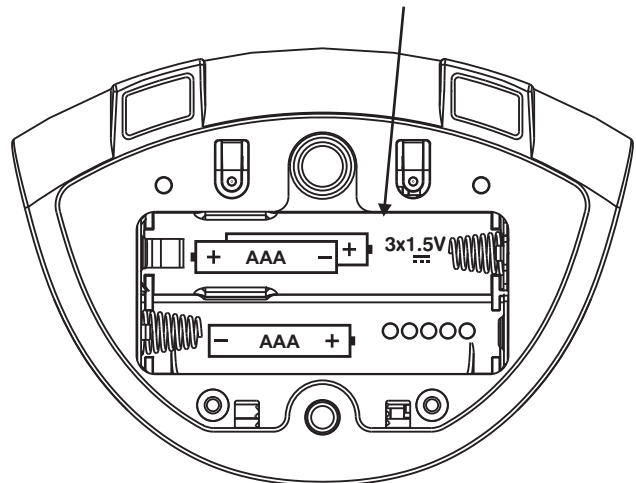


AC1101
 Rev.0
 10/28/2013

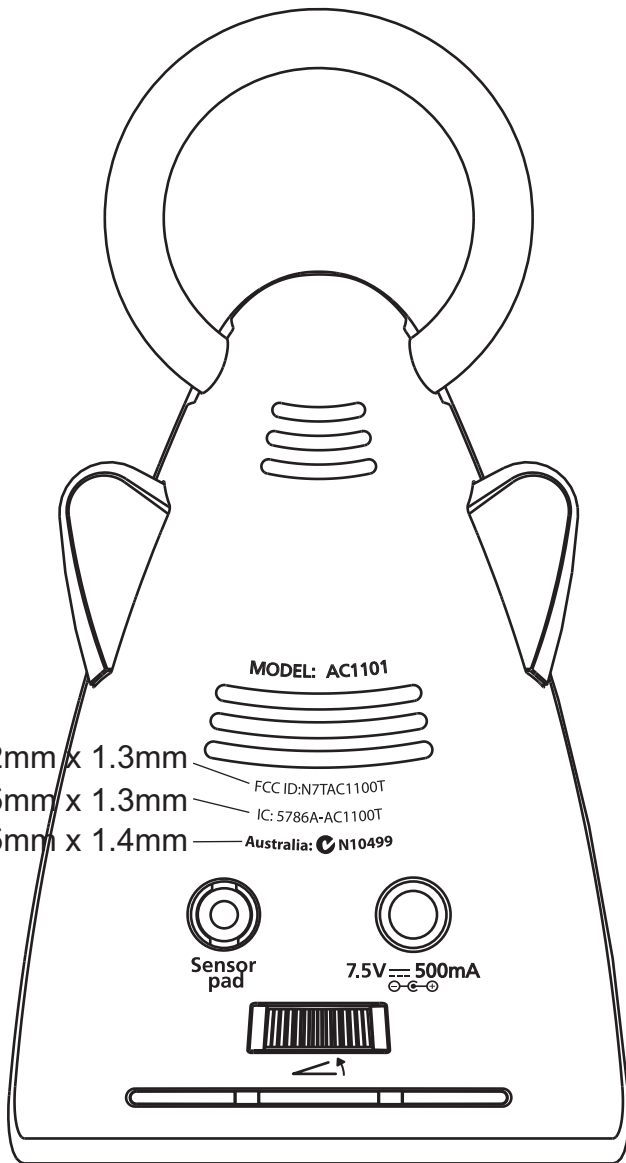
Engrave



Label-Battery/Adapter
 to be put inside the battery compartment



Engrave

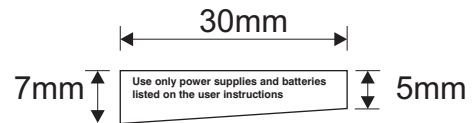
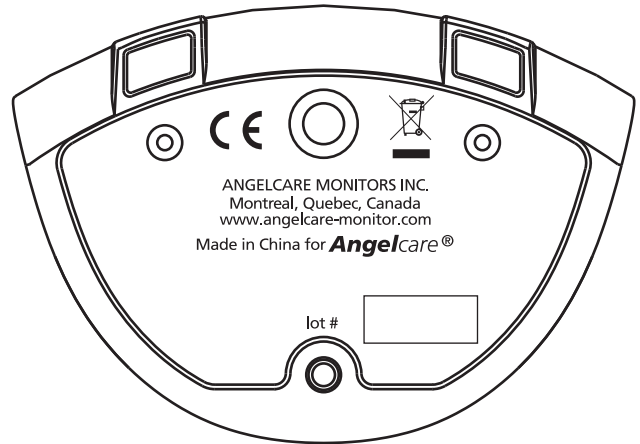


17.2mm x 1.3mm
 16.5mm x 1.3mm
 19.5mm x 1.4mm

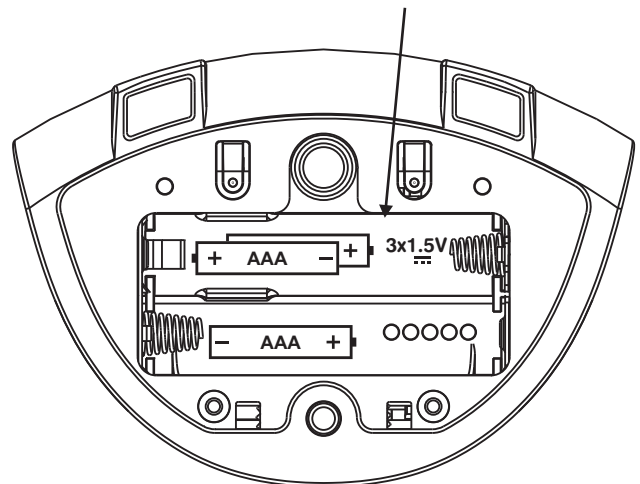
Pad Printing

AC1100
 Rev.3
 12/14/2010

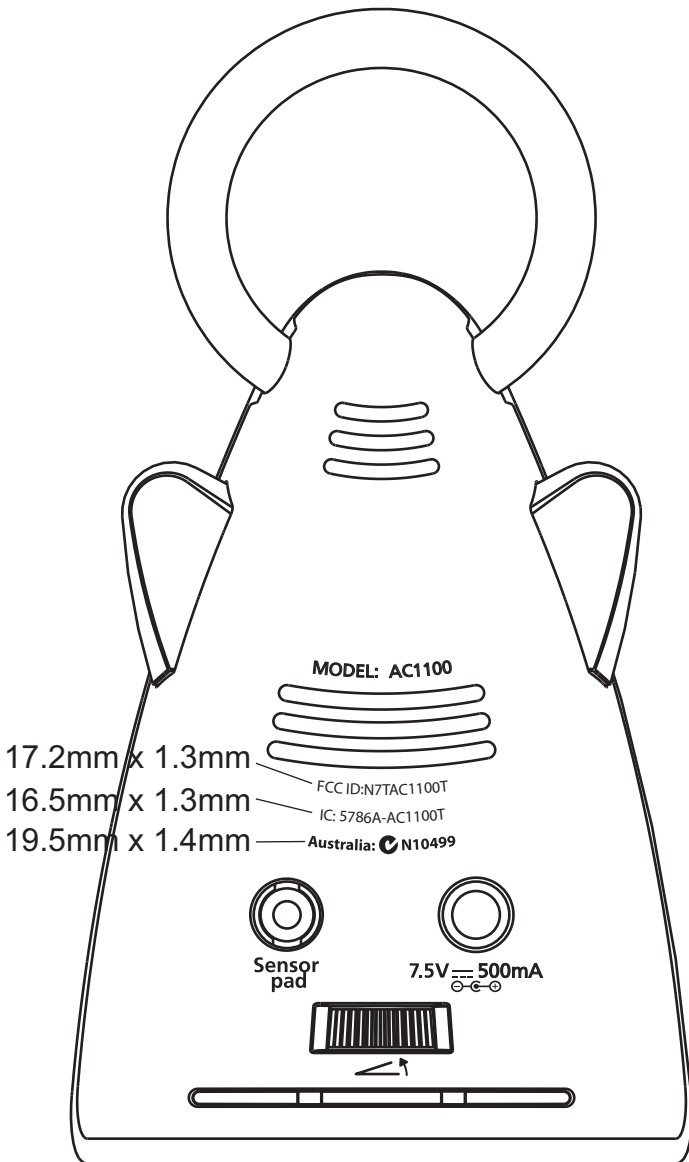
Engrave



Label-Battery/Adapter
 to be put inside the battery compartment



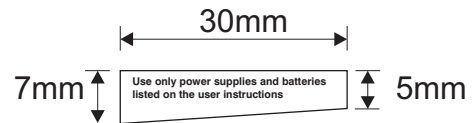
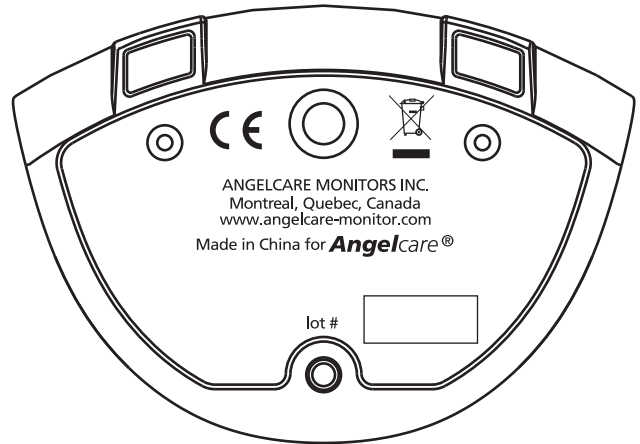
Engrave



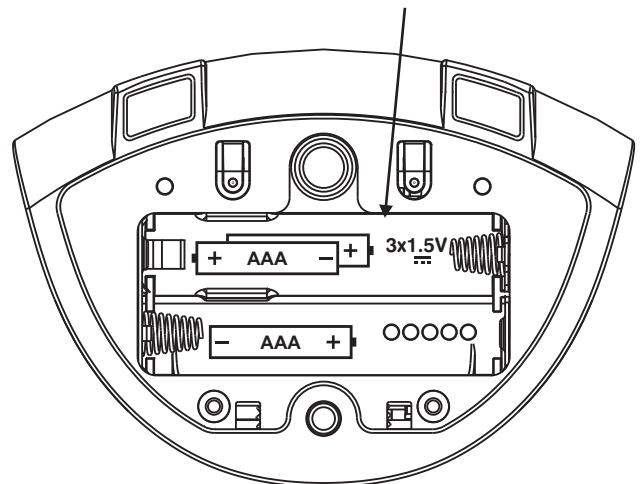
Pad Printing

AC1120
 Rev.2
 12/14/2010

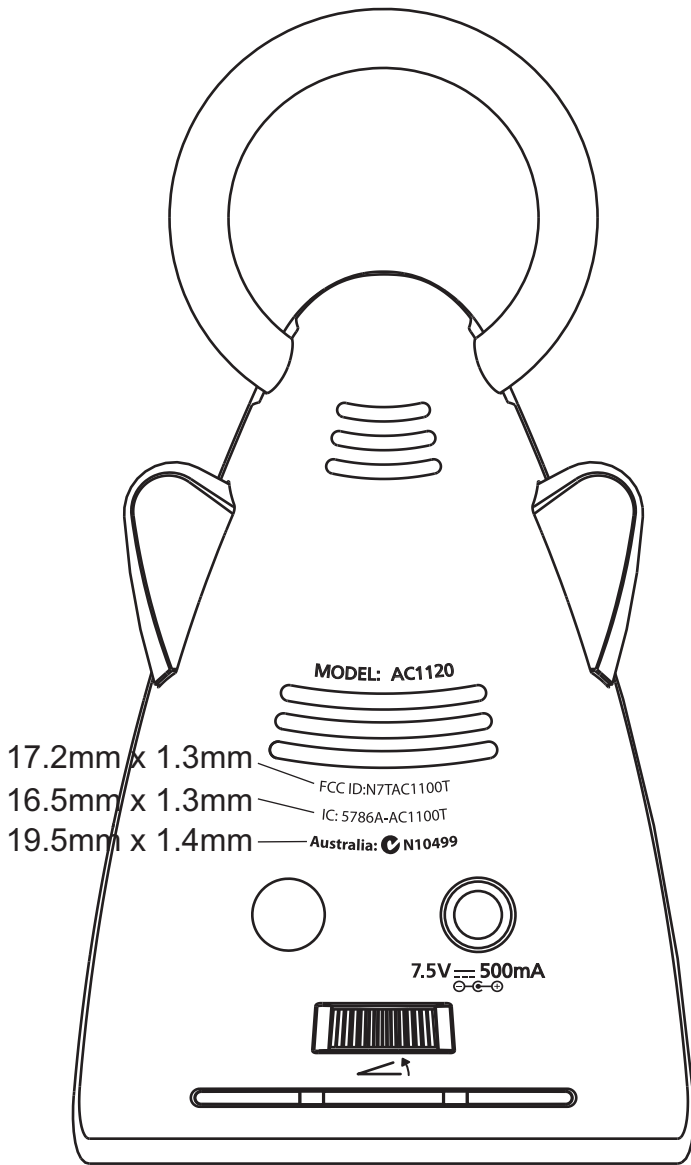
Engrave



Label-Battery/Adapter
 to be put inside the battery compartment



Engrave



Pad Printing

- 17.2mm x 1.3mm
- 16.5mm x 1.3mm
- 19.5mm x 1.4mm