



# CDMA and GSM / UMTS Mini Card

## Hardware Integration Guide

Proprietary and Confidential

Includes:

MC5725 / MC5725V

MC5727 / MC5727V

MC5728 / MC5728V

MC8775 / MC8775V

MC8780 / MC8781

MC8785V

MC8790 / MC8790V

MC8791V

2130114  
Rev 1.9.1



## Important Notice

Due to the nature of wireless communications, transmission and reception of data can never be guaranteed. Data may be delayed, corrupted (i.e., have errors) or be totally lost. Although significant delays or losses of data are rare when wireless devices such as the Sierra Wireless modem are used in a normal manner with a well-constructed network, the Sierra Wireless modem should not be used in situations where failure to transmit or receive data could result in damage of any kind to the user or any other party, including but not limited to personal injury, death, or loss of property. Sierra Wireless accepts no responsibility for damages of any kind resulting from delays or errors in data transmitted or received using the Sierra Wireless modem, or for failure of the Sierra Wireless modem to transmit or receive such data.

## Safety and Hazards

Do not operate the Sierra Wireless modem in areas where blasting is in progress, where explosive atmospheres may be present, near medical equipment, near life support equipment, or any equipment which may be susceptible to any form of radio interference. In such areas, the Sierra Wireless modem **MUST BE POWERED OFF**. The Sierra Wireless modem can transmit signals that could interfere with this equipment.

Do not operate the Sierra Wireless modem in any aircraft, whether the aircraft is on the ground or in flight. In aircraft, the Sierra Wireless modem **MUST BE POWERED OFF**. When operating, the Sierra Wireless modem can transmit signals that could interfere with various onboard systems.

---

*Note: Some airlines may permit the use of cellular phones while the aircraft is on the ground and the door is open. Sierra Wireless modems may be used at this time.*

---

The driver or operator of any vehicle should not operate the Sierra Wireless modem while in control of a vehicle. Doing so will detract from the driver or operator's control and operation of that vehicle. In some states and provinces, operating such communications devices while in control of a vehicle is an offence.

## Limitation of Liability

The information in this manual is subject to change without notice and does not represent a commitment on the part of Sierra Wireless. SIERRA WIRELESS AND ITS AFFILIATES SPECIFICALLY DISCLAIM LIABILITY FOR ANY AND ALL DIRECT, INDIRECT, SPECIAL, GENERAL, INCIDENTAL, CONSEQUENTIAL, PUNITIVE OR EXEMPLARY DAMAGES INCLUDING, BUT NOT LIMITED TO, LOSS OF PROFITS OR

**Patents**

REVENUE OR ANTICIPATED PROFITS OR REVENUE ARISING OUT OF THE USE OR INABILITY TO USE ANY SIERRA WIRELESS PRODUCT, EVEN IF SIERRA WIRELESS AND/OR ITS AFFILIATES HAS BEEN ADVISED OF THE POSSIBILITY OF SUCH DAMAGES OR THEY ARE FORESEEABLE OR FOR CLAIMS BY ANY THIRD PARTY.

Notwithstanding the foregoing, in no event shall Sierra Wireless and/or its affiliates aggregate liability arising under or in connection with the Sierra Wireless product, regardless of the number of events, occurrences, or claims giving rise to liability, be in excess of the price paid by the purchaser for the Sierra Wireless product.

Portions of this product may be covered by some or all of the following US patents:

5,515,013	5,629,960	5,845,216	5,847,553	5,878,234
5,890,057	5,929,815	6,169,884	6,191,741	6,199,168
6,339,405	6,359,591	6,400,336	6,516,204	6,561,851
6,643,501	6,653,979	6,697,030	6,785,830	6,845,249
6,847,830	6,876,697	6,879,585	6,886,049	6,968,171
6,985,757	7,023,878	7,053,843	7,106,569	7,145,267
7,200,512	7,295,171	7,287,162	D442,170	D459,303
D599,256	D560,911			

and other patents pending.

This product includes technology licensed from QUALCOMM® 3G.

Manufactured or sold by Sierra Wireless or its licensees under one or more patents licensed from InterDigital Group.

**Copyright**

©2009 Sierra Wireless. All rights reserved.

**Trademarks**

AirCard® and “Heart of the Wireless Machine®” are registered trademarks of Sierra Wireless. Watcher® is a trademark of Sierra Wireless, registered in the European Community. Sierra Wireless, the Sierra Wireless logo, the red wave design, and the red-tipped antenna are trademarks of Sierra Wireless.

Windows® is a registered trademark of Microsoft Corporation.

QUALCOMM® is a registered trademark of QUALCOMM Incorporated. Used under license.

Linux® is a registered trademark of Linus Torvalds.

Other trademarks are the property of the respective owners.

## Contact Information

Sales Desk:	Phone:	1-604-232-1488
	Hours:	8:00 AM to 5:00 PM Pacific Time
	E-mail:	<a href="mailto:sales@sierrawireless.com">sales@sierrawireless.com</a>
Post:	Sierra Wireless 13811 Wireless Way Richmond, BC Canada V6V 3A4	
Fax:	1-604-231-1109	
Web:	<a href="http://www.sierrawireless.com">www.sierrawireless.com</a>	

Consult our website for up-to-date product descriptions, documentation, application notes, firmware upgrades, troubleshooting tips, and press releases:

[www.sierrawireless.com](http://www.sierrawireless.com)

## Revision History

Revision number	Release date	Changes
1.5	Jul 2007	<ul style="list-style-type: none"> <li>Added 8780/81 content</li> <li>Added SED description</li> <li>Fixed details about capacitance</li> <li>Added connector pin details</li> </ul>
1.6	Unreleased	Changes incorporated into v1.7.
1.7	Apr 2008	<ul style="list-style-type: none"> <li>Removed references to RUIIM (MC57xx products)</li> <li>Removed "Diversity antenna must fold down" ("<a href="#">Diversity antenna design requirements (MC57xx / MC8780 / MC8781 / MC8785V / MC8790 / MC8790V / MC8791V / MC8792V)</a>" on <a href="#">page 105</a>).</li> <li>Removed references to MC5720, MC8755, MC8755V, and MC8765.</li> <li>Corrected LED characteristics ("<a href="#">Faster blink</a>" on <a href="#">page 64</a>)</li> <li>Added content for MC5725, MC5725V, and MC8785V</li> </ul>

Revision number	Release date	Changes
1.8	Sep 2008	<ul style="list-style-type: none"><li>Added content for MC8790, MC8790V, MC8791V, and MC8792V</li></ul>
1.9	Oct 2008	<ul style="list-style-type: none"><li>Added AT command entry timing note and Linux content to testing chapter</li><li>Corrected range for external pull up resistor in Figure 5-2</li></ul>
1.91	Feb 2009	<ul style="list-style-type: none"><li>Added content for MC5728 and MC5728V (FCC)</li></ul>

# »» Table of Contents

<b>Introduction</b> .....	<b>11</b>
The Universal Development Kit .....	11
Required connectors .....	12
Guide organization .....	12
Related documents .....	13
<b>Power Interface</b> .....	<b>17</b>
Overview of operation .....	17
Power signals .....	17
Electrostatic discharge (ESD) .....	18
Module power states .....	18
Disconnected state .....	19
Off state .....	19
Normal state .....	19
Low power mode .....	19
Voltage monitoring state machine .....	20
Temperature monitoring state machine .....	22
Inrush currents .....	24
Timing requirements .....	26
Power ramp-up .....	26
Power-up timing .....	26
Transmit power wave form (GSM) .....	26
Current consumption .....	27
Current consumption overview .....	27
Modes .....	34
SED (Smart Error Detection) .....	34
Usage models .....	35

<b>RF Integration</b> .....	<b>37</b>
RF connection .....	39
Ground connection .....	39
Shielding .....	40
Antenna and cabling .....	40
Interference and sensitivity .....	41
Power supply noise .....	41
Interference from other wireless devices .....	41
Device-generated RF .....	42
Methods to mitigate decreased Rx performance .....	42
Radiated sensitivity measurement .....	43
Sierra Wireless' sensitivity testing and desensitization investigation ..	43
OTA test chamber configuration .....	43
Path loss calculation .....	44
Positioning the DUT (Device Under Test) .....	45
Sensitivity vs. frequency .....	45
 <b>Audio Interface</b> .....	 <b>51</b>
System block diagrams .....	52
Modes of operation .....	55
Sidetone support .....	55
Echo cancellation support .....	56
Audio signal interface .....	57
Audio function partitioning .....	58
 <b>Host / Module Interfaces</b> .....	 <b>61</b>
Host interface pin details .....	61
USB interface .....	62
USB handshaking .....	62
LED output .....	64
USIM interface .....	65



USIM operation .....	67
Extended AT commands .....	68
<b>Thermal Considerations .....</b>	<b>.73</b>
Thermal considerations .....	73
<b>Design Checklist .....</b>	<b>.75</b>
<b>Testing .....</b>	<b>.77</b>
AT command entry timing requirement .....	77
Acceptance testing .....	77
Test requirements .....	77
Test procedure .....	78
Certification testing .....	78
Production testing .....	79
Suggested manual functional test procedure .....	80
Suggested test plan procedure .....	80
Testing RF transmission path—MC57xx .....	85
Testing RF transmission path—MC87xx .....	86
Testing RF Receive path—MC57xx .....	88
Testing RF Receive path—MC87xx .....	90
Testing GPS Receiver—MC8775V .....	93
Test Audio Loop-back—MC5725V / MC5727V / MC5728V / MC8775V / MC8785V / MC8790V / MC8791V / MC8792V .....	94
Quality assurance testing .....	96
Suggested testing equipment.....	97
<b>Antenna Specification .....</b>	<b>.101</b>
Required antennas .....	101
Frequency bands .....	102

Antenna design . . . . .	104
General antenna design requirements . . . . .	104
Main antenna design requirements . . . . .	104
Diversity antenna design requirements (MC57xx / MC8780 / MC8781 / MC8785V / MC8790 / MC8790V / MC8791V / MC8792V) . . . . .	105
GPS antenna design requirements (MC57xx / MC8775V / MC878x) . .	105
Testing . . . . .	106
Voltage Standing Wave Ratio (VSWR) . . . . .	106
Efficiency . . . . .	108
Antenna-to-antenna isolation . . . . .	108
Peak gain and radiation patterns . . . . .	109
Fading correlation coefficient . . . . .	109
<b>Regulatory Information . . . . .</b>	<b>111</b>
Important notice . . . . .	111
Safety and hazards . . . . .	111
Important compliance information for North American users . . . . .	112
EU regulatory conformity . . . . .	113
<b>Acronyms and Definitions . . . . .</b>	<b>115</b>
<b>Index . . . . .</b>	<b>119</b>

# >> 1: Introduction

---

*Note: Throughout this document, MC57xx and MC87xx refer to the entire suites of CDMA and GSM Mini Cards respectively.*

---

Sierra Wireless' Mini Card modules form the radio component for the products in which they are embedded. Mini Cards are available for use on CDMA and GSM networks, including:

- **MC5725 / MC5725V / MC5727 / MC5727V / MC5728 / MC5728V**— Operate on CDMA networks using the CDMA IS-95A, 1X, and 1xEV-DO (IS-856) network standards, and support GPS.
- **MC8775 / MC8775V**—operate on GSM networks using the GSM / GPRS / EDGE / UMTS / HSDPA network standards, and support Standalone GPS functionality.
- **MC8780 / MC8781 / MC8785V / MC8790 / MC8790V / MC8791V / MC8792V**—operate on GSM networks using the GSM / GPRS / EDGE / UMTS / HSDPA / HSUPA network standards, and support Standalone GPS, gpsOneXTRA™, A-GPS, selected enhanced Navigation 2.0 features, and five NMEA sentences.

## **Purpose of this guide**

This guide addresses issues that affect the integration of Sierra Wireless modules into host products, and includes design recommendations for the host products.

---

*Note: An understanding of network technology and experience in integrating hardware components into electronic equipment is assumed.*

---

## **The Universal Development Kit**

Sierra Wireless manufactures a Universal Development Kit (UDK) that facilitates all phases of the integration process.

This kit is a hardware development platform that is designed to support multiple members of the wireless embedded module product family. It contains the hardware components that are typically necessary for evaluating and developing with the module, including:

- Development board
- Cables
- Antennas
- Other accessories

For instructions on setting up the UDK, see *PCI Express Mini Card Dev Kit Quick Start Guide (Document 2130705)*.

---

*Note: Contact vendors before choosing your connectors — the numbers included here are for reference only. Choose connectors that are appropriate to your design.*

---

## Required connectors

When integrating these modules into your host device, you need the following connector types:

- RF cables that mate with Hirose U.FL connectors (model U.FL #CL331-0471-0-10). Modules include one or two connector jacks depending on individual module support for diversity or GPS functionality.
- Industry-standard mating connector for 52-pin EDGE—some manufacturers include Tyco, Foxconn, and Molex. For example, the connector used on the Mini Card Dev Kit board is a Molex 67910-0001.
- Industry-standard USIM connector (MC87xx only)—the actual connector you use depends on how your device exposes the USIM socket. For example, the USIM connector used on the Mini Card Dev Kit board is an ITT CCM03-3518.

## Guide organization

This guide includes the following sections:

1. **Introduction** (this section)
2. **Power Interface** (p.17)  
Describes power control signals used by the module and discusses design issues related to power supply integration.
3. **RF Integration** (p.37)  
Describes antenna connection methods and grounding issues, RF interference and desense issues.
4. **Audio Interface** (p.51)  
Describes supported audio modes and related details.
5. **Host / Module Interfaces** (p.61)  
Describes the USB interface for host / module communication, and the USIM interface for host / module integration.
6. **Thermal Considerations** (p.73)  
Describes thermal characteristics of the module and provides suggestions for testing and addressing thermal issues.
7. **Design Checklist** (p.75)  
Summarizes design considerations for integration of Mini Cards in your host devices.
8. **Testing** (p.77)  
Describes suggested acceptance, certification, production, and quality assurance tests.
9. **Antenna Specification** (p.101)  
Describes antenna requirements and testing details.

- 10. Regulatory Information** (p.111)  
Describes regulatory approvals and regulatory information requirements.
- 11. Acronyms and Definitions** (p.115)  
Lists acronyms and definitions used throughout this guide.
- 12. Index** (p.119)

---

*Note: The term "host" always refers to the host device.*

---

## Related documents

This guide deals specifically with hardware integration issues that are unique to the MC57xx and MC87xx modules.

[Table 1-1](#) lists other documents referenced in this guide.

**Table 1-1: Related documentation**

Document title	Description
<b>AT Command Set for User Equipment (UE) (Release 6)</b>	Standard AT <a href="#">commands</a> for GSM / UMTS devices. Download this document (3GPP TS 27.007) from <a href="http://www.3gpp.org">www.3gpp.org</a> .
<b>CDMA 1X Standard</b>	Technical requirements for CDMA systems, including details on sleep cycle index (SCI) values. Order this document, CDMA 2000 Series Release A (2000) (document # TIA/EIA/IS-2000 Series, Release A) from <a href="http://www.tiaonline.org">www.tiaonline.org</a> .
<b>CDMA CnS Reference (Document 2130754)</b>	CnS (Control and Status) messages that are supported by the MC5725 / MC5725V
<b>CDMA AT Command Reference (Document 2130620)</b>	Proprietary, basic AT commands for the MC5725 / MC5725V / MC5727 / MC5727V / MC5728 / MC5728V. For MC87xx-specific commands, see <i>UMTS Modems Supported AT Command Reference (Document 2130617)</i> .
<b>CDMA Extended AT Command Reference (Document 2130621)</b>	Proprietary AT commands for the MC5725 / MC5725V / MC5727 / MC5727V / MC5728 / MC5728V. For MC87xx-specific commands, see <i>MC87xx Modem Extended AT Command Reference (Document 2130616)</i> .
<b>FCC Regulations - Part 15 - Radio Frequency Devices</b>	This section of the FCC Code of Federal Regulations, Title 47 deals with radio frequency devices, including shielding requirements for embedded modules. Download this regulation from <a href="http://wireless.fcc.gov">http://wireless.fcc.gov</a> .

**Table 1-1: Related documentation (Continued)**

Document title	Description
<b>IEC-61000-4-2 level 3</b>	Techniques for testing and measuring electrostatic discharge (ESD) immunity. Order this document from <a href="http://www.iec.ch">www.iec.ch</a> .
<b>MC5725 Mini Card Product Specification (Document 2130663)</b>	Features, mechanical and electrical specifications, and standards compliance of the MC5725.
<b>MC5725V Mini Card Product Specification (Document 2130671)</b>	Features, mechanical and electrical specifications, and standards compliance of the MC5725V.
<b>MC5727 Mini Card Product Specification (Document 2130958)</b>	Features, mechanical and electrical specifications, and standards compliance of the MC5727.
<b>MC5727V Mini Card Product Specification (Document 2131023)</b>	Features, mechanical and electrical specifications, and standards compliance of the MC5727V.
<b>MC5728V Mini Card Product Specification (Document 2111350)</b>	Features, mechanical and electrical specifications, and standards compliance of the MC5728V.
<b>MC8775 PCI Express Mini Card Product Specification (Document 2130697)</b>	Features, mechanical and electrical specifications, and standards compliance of the MC8775.
<b>MC8775V with Audio PCI Express Mini Card Product Specification (Document 2130700)</b>	Features, mechanical and electrical specifications, and standards compliance of the MC8775V.
<b>MC8780 / MC8781 PCI Express Mini Card Product Specification (Document 2130782)</b>	Features, mechanical and electrical specifications, and standards compliance of the MC8780 / MC8781.
<b>MC8785V PCI Express Mini Card Product Specification (Document 2130932)</b>	Features, mechanical and electrical specifications, and standards compliance of the MC8785V.
<b>MC8790 PCI Express Mini Card Product Specification (Document 2111279)</b>	Features, mechanical and electrical specifications, and standards compliance of the MC8790.
<b>MC8790V PCI Express Mini Card Product Specification (Document 2111280)</b>	Features, mechanical and electrical specifications, and standards compliance of the MC8790V.
<b>MC8791V PCI Express Mini Card Product Specification (Document 2131032)</b>	Features, mechanical and electrical specifications, and standards compliance of the MC8791V.

Table 1-1: Related documentation (Continued)

Document title	Description
<b>MC8792V PCI Express Mini Card Product Specification (Document 2131033)</b>	Features, mechanical and electrical specifications, and standards compliance of the MC8792V.
<b>MC87XX Modem CnS Reference (Document 2130602)</b>	CnS (Control and Status) messages supported by the MC87xx series of modems.
<b>MC87xx Modem CnS Reference (Voice) (Document 2130817)</b>	Voice-related CnS (Control and Status) messages supported by the MC8775V, MC8785V, MC8790V, MC8791V, and MC8792V.
<b>UMTS Modems Supported AT Command Reference (Document 2130617)</b>	Proprietary, basic AT commands for the MC87xx. For MC57xx-specific commands, see the <i>CDMA AT Command Reference (Document 2130620)</i> .
<b>MC87xx Modem Extended AT Command Reference (Document 2130616)</b>	Proprietary AT commands for the MC87xx. For MC57xx-specific commands, see the <i>CDMA Extended AT Command Reference (Document 2130621)</i> .
<b>Mobile Station (MS) Conformance Specification; Part 4: Subscriber Interface Module</b>	SIM testing methods. Download this document (3GPP TS 11.10-4) from <a href="http://www.3gpp.org">www.3gpp.org</a> .
<b>PCI Express Mini Card Dev Kit Quick Start Guide (Document 2130705)</b>	Setup and configuration of modules.
<b>PCI Express Mini Card Electromechanical Specification Revision 1.1</b>	Download this document from <a href="http://www.pcisig.com">www.pcisig.com</a> .
<b>Universal Serial Bus Specification, Rev 2.0</b>	Download this specification from <a href="http://www.usb.org">www.usb.org</a> .





## 2: Power Interface

### Overview of operation

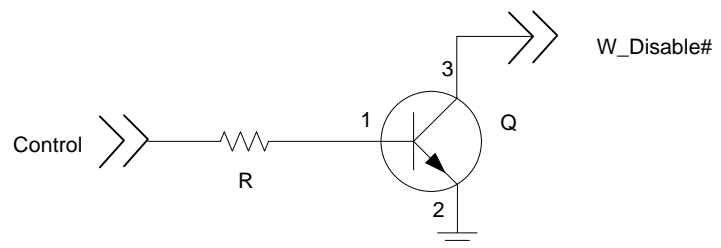
*Note: This chapter contains information for CDMA (MC57xx) and GSM (MC87xx) modules.*

*Information that is **unique** to specific module types is clearly identified.*

The module is designed to use a 3.3V (nominal) power supply, provided by the host. It is the host's responsibility to provide safe and continuous power to the module at all times; the module does NOT have an independent power supply, or protection circuits to guard against electrical issues.

The host controls the module's power state using the W\_Disable# signal as shown in [Figure 2-1](#). The signal is driven low by the host to power off the modem, or left floating (high impedance) to power on the modem. The module also monitors its supply voltage and requests shutdown if the supply is insufficient (see [Voltage monitoring state machine](#), [page 20](#)).

**Figure 2-1: Recommended W\_Disable# connection (open drain circuit)**



### Power signals

The module must be connected to a 3.3V power supply (as described in *PCI Express Mini Card Electromechanical Specification Revision 1.1*).

The MC87xx has more power pins than the MC57xx due to higher peak current requirements for GSM devices.

For detailed pinout and voltage / current requirements of these modules, see the Product Specification Document for your Mini Card.

---

*Note: The Product Specification Document's pin connection table describes the **internal** structure of the module. For example, a Mini Card standard-compliant host platform provides +3.3Vaux on pin 24, but this pin is not connected internally on the MC8775V. Thus, the pin is flagged as 'No connect'.*

---

## Electrostatic discharge (ESD)

You are responsible for ensuring that the host has adequate ESD protection on digital circuits and antenna ports:

- (Operational) RF port (antenna launch and RF connector):  
*IEC-61000-4-2 – Level (Electrostatic Discharge Immunity Test)*
- (Non-operational) Host connector interface:  
*JESD22-A114-B +/- 1kV Human Body Model and  
JESD22-C101 +/- 125 V Charged Device Model*
- MC5728/MC5728V only: (Non-operational) Host connector interface:  
*JESD22-A114-B +/- 200V Human Body Model and  
JESD22-C101 +/- 250 V Charged Device Model*  
MC5728/MC5728V has placeholders for additional ESD devices, for cases where the device must, per customer requirements, meet the higher Human Body Model (+/-1kV) ESD rating.

Specific recommendations are provided where needed in this guide, however, the level of protection required depends on your application.

---

*Note: ESD protection is highly recommended for the USIM connector at the point where the contacts are exposed, and for any other signals from the host interface that would be subjected to ESD by the user of the product.*

---

## Module power states

The module has four power states:

- **Disconnected**  
No power to the module.
- **Off**  
Power to the module, but the module is powered off.
- **Normal**  
The module is active. Several modes are possible (Receive, Transmit, Sleep, Shutdown).

---

*Note: The module unit defaults to the Normal state when VCC3.3 is first applied in the absence of W\_Disable# control.*

---

---

*Note: The difference between the Disconnected and Off states is that, in the Off state, the module is still connected to the power source and draws minimal current.*

---



---

*Note: The module enters the Off state if `W_Disable#` is driven low and power (`Vcc`) is applied to the module, or if the module is in a powered state and `W_Disable#` is driven low for a module-dependent minimum period. See [State change: Power off / on](#) on [page 23](#) for details.*

---



---

*Note: This is the default state when `VCC3.3` is first applied in the absence of `W_Disable#` control.*

---

- **Low power (“airplane mode”)**

The module is active, but RF is disabled.

State machines are implemented in the module to monitor the power supply and operating temperature.

## Disconnected state

This state occurs when there is no power to the module — the host power source is disconnected from the module and all voltages associated with the module are at 0 V.

Whether the host device is also powered off depends on the power rail design. If the connection between the power rail and the module is controlled by the host, the host can stay powered on and cut the power to put the modem into the disconnected state. If the power rail is shared between the host device and the module, the host is powered off when the module is powered off.

## Off state

In this state, the host is powered up and the module is powered down (but still connected to the power source).

The host keeps the module powered off by driving the `W_Disable#` signal low. In this state, the module draws minimal current.

## Normal state

This is the active state of the module. In this state:

- The module is fully powered.
- The module is capable of placing / receiving calls or establishing data connections on the wireless network.
- The USB interface is fully active.

## Low power mode

In this state, RF (both Rx and Tx) is disabled in the module, but the USB interface is still active. This low power mode (“airplane mode”) is controlled by software commands through the host interface.

For instructions on using the commands, refer to *AT Command Set for User Equipment (UE) (Release 6) (+CFUN=0 command), CDMA CnS Reference (Document 2130754) (CNS\_RADIO\_POWER [0x1075] command), or MC87XX Modem CnS Reference (Document 2130602) (Disable Modem command).*

### Voltage monitoring state machine

The module has a state machine to monitor the VCC3.3 (3.0 V-3.6 V) supply (Figure 2-2).

Figure 2-2: Voltage monitoring state machine

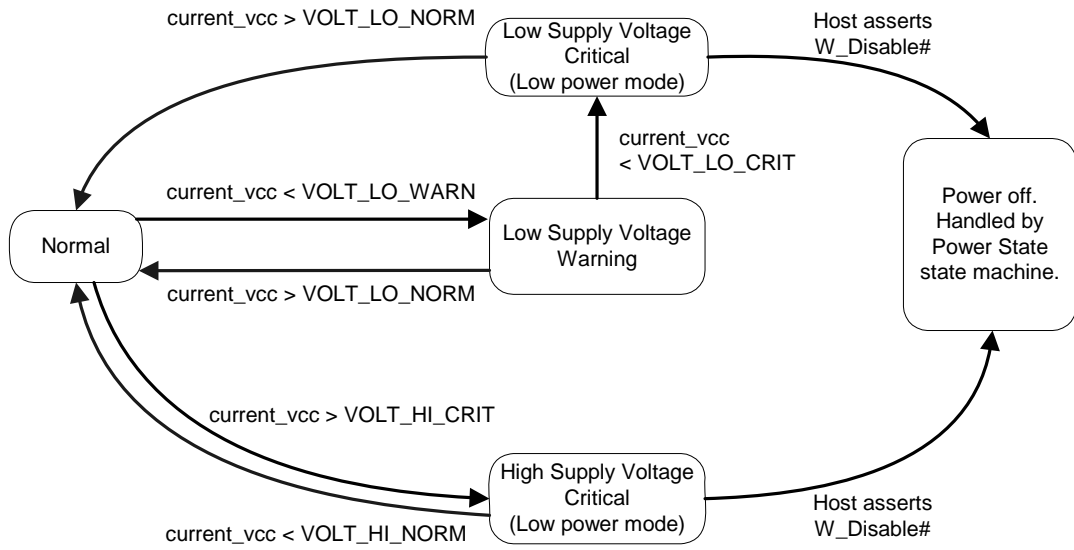


Table 2-1: Voltage trigger levels

Condition	Voltage (V)		
	MC57xx	MC8775/75V MC8780/81	MC8785V MC8790/90V MC8791V/92V
VOLT_HI_CRIT	3.6	3.6	3.6
VOLT_HI_NORM	3.5	3.5	3.5
VOLT_LO_NORM	3.1	3.1	3.1
VOLT_LO_WARN	3.0	3.0	3.05
VOLT_LO_CRIT	2.9	2.9	3.00

**State change: Normal mode to Low Power mode**

This state change causes the module to switch to low power mode, suspending RF activity. It occurs when the module's supply voltage exceeds the limits described in [Table 2-1](#) (VOLT\_HI\_CRIT and VOLT\_LO\_CRIT).

When this state change occurs, the CnS notification CNS\_RADIO\_POWER is issued, if enabled. For a detailed description of this notification, see *CDMA CnS Reference (Document 2130754)* or *MC87XX Modem CnS Reference (Document 2130602)*.

**State change: Low Power mode to Normal mode**

This state change causes the module to switch to normal mode, resuming RF activity. It occurs when the module's supply voltage returns from critical to normal limits as described in [Table 2-1](#) (VOLT\_HI\_NORM and VOLT\_LO\_NORM).

When this state change occurs, the CnS notification CNS\_RADIO\_POWER is issued, if enabled. For a detailed description of this notification, see *CDMA CnS Reference (Document 2130754)* or *MC87XX Modem CnS Reference (Document 2130602)*.

**State change: Power off / on**

The module begins a shutdown sequence and powers off if it has been in a powered-on state for more than 10.5 seconds and the host device drives the W\_Disable# signal low for:

- $\geq 50$  ms (MC8775 / MC8775V)
- $\geq 500$  ms (MC5725 / MC5725V / MC5727 / MC5727V / MC5728 / MC5728V / MC8780 / MC8781 / MC8785V / MC8790 / MC8790V / MC8791V / MC8792V)

*Note: The module ignores changes in the W\_Disable# line for the first 10.5 seconds after it enters a powered-on state.*

The module powers on when the host device leaves the W\_Disable# signal floating (high impedance) as shown in [Figure 2-1](#) on [page 17](#).

[Figure 2-2](#) on [page 20](#) shows the transition from 'Low Supply Voltage Critical' or 'High Supply Voltage Critical' to 'Power off':

1. The module enters low power mode because it detects that the supply voltage level is critically low (VOLT\_LO\_CRIT) or critically high (VOLT\_HI\_CRIT).
2. The module sends a CnS notification (Return Radio Voltage—0x0009) to the host indicating that it is now in low power mode.

---

*Note: The module is still connected to the power source in this state, drawing minimal power.*

---

3. The host has the option, at this point, of driving W\_Disable# low (forcing the module to power off) to prevent damage to the unit.

### Temperature monitoring state machine

The module has a state machine to monitor the module's temperature (Figure 2-3).

Figure 2-3: Temperature monitoring state machine

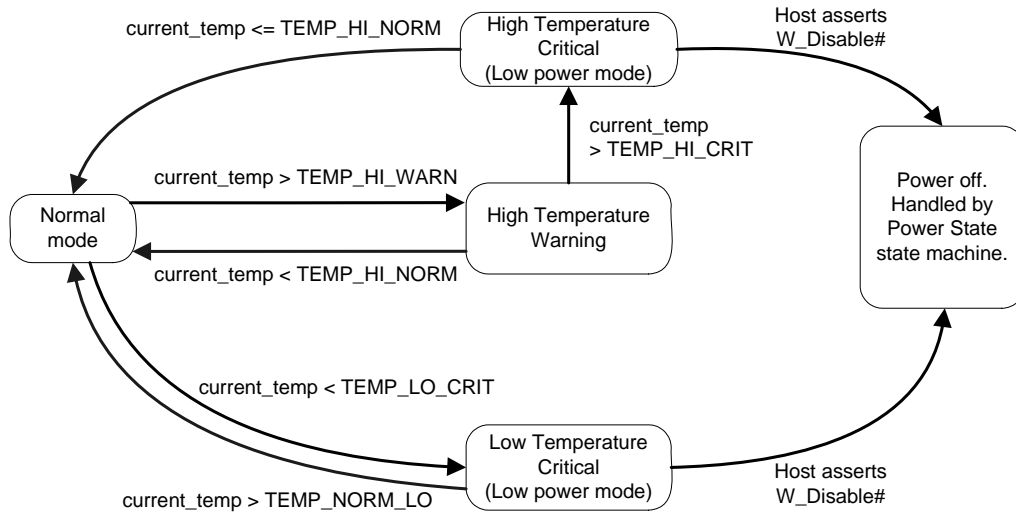


Table 2-2: Temperature trigger levels<sup>1</sup>

Condition	MC57xx Temp (°C)	MC87xx Temp (°C)
TEMP_LO_CRIT	-30	-25
TEMP_NORM_LO	-20	-15
TEMP_HI_NORM	85	85
TEMP_HI_WARN	95	95
TEMP_HI_CRIT	108	108

<sup>1</sup> Module-reported temperatures at the printed circuit board. Temperature decreases from 10°C–18°C between the PCB and the module shield, and a further 10°C–18°C between the shield and host environment (ambient), depending on the efficiency of heat-dissipation in the host device.

**State change: Normal mode to Low Power mode**

This state change causes the module to switch to low power mode, suspending RF activity. It occurs when the module temperature exceeds the limits described in [Table 2-2](#) (TEMP\_HI\_CRIT and TEMP\_LO\_CRIT).

When this state change occurs, the CnS notification CNS\_RADIO\_POWER is issued, if enabled. For a detailed description of this notification, see *CDMA CnS Reference (Document 2130754)* or *MC87XX Modem CnS Reference (Document 2130602)*. As well, the MC57xx issues the CnS notification Modem Too Hot [0x4500] if it has to drop a call when shifting to low power mode.

**State change: Low Power mode to Normal mode**

This state change causes the module to switch to normal mode, resuming RF activity. It occurs when the module temperature returns from critical to normal limits as described in [Table 2-2](#) (TEMP\_HI\_NORM and TEMP\_LO\_NORM).

When this state change occurs, the CnS notification CNS\_RADIO\_POWER is issued, if enabled. For a detailed description of this notification, see *CDMA CnS Reference (Document 2130754)* or *MC87XX Modem CnS Reference (Document 2130602)*.

**State change: Power off / on**

The module begins a shutdown sequence and powers off if it has been in a powered-on state for more than 10.5 seconds and the host device drives the W\_Disable# signal low for:

- $\geq 50$  ms (MC8775 / MC8775V)
- $\geq 500$  ms (MC5725 / MC5725V / MC5727 / MC5727V / MC5728 / MC5728V / MC8780 / MC8781 / MC8785V / MC8790 / MC8790V / MC8791V / MC8792V)

---

*Note: The module ignores changes in the W\_Disable# line for the first 10.5 seconds after it enters a powered-on state.*

---

The module powers on when the host device leaves the W\_Disable# signal floating (high impedance) as shown in [Figure 2-1](#) on [page 17](#).

[Figure 2-3](#) shows the transition from 'Low Temperature Critical' or 'High Temperature Critical' to 'Power off'.

1. The module enters low power mode because it detects that the operating temperature is critically low (TEMP\_LO\_CRIT) or critically high (TEMP\_HI\_CRIT).

2. The module sends a CnS notification (Return Radio Temperature—0x0008) to the host indicating that it is now in low power mode.
3. The host has the option, at this point, of driving W\_Disable# low (forcing the module to power off) to prevent damage to the unit.

---

*Note: (MC57xx only) If the ambient temperature of the module exceeds 60 °C, the RF level is automatically lowered for max power transmission.*

---

## Inrush currents

Two power events can cause large inrush currents from the host supply to the module on the power pins:

- Application of the host's power supply
- Host leaves W\_Disable# floating (high impedance) to power up the module (as shown in Figure 2-1 on page 17).

Figure 2-4 and Figure 2-5 show the inrush models for the MC57xx and MC87xx. Application of the host's power supply typically occurs when the switch is open; W\_Disable# is left floating (high impedance) when the switch is closed.

**Figure 2-4: Inrush model - MC57xx**

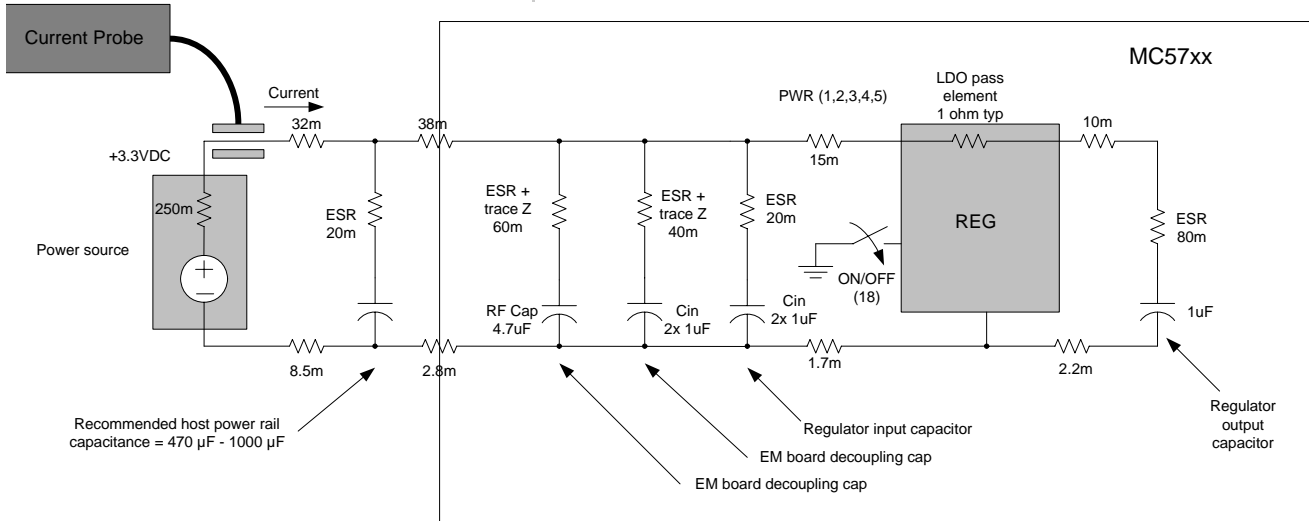
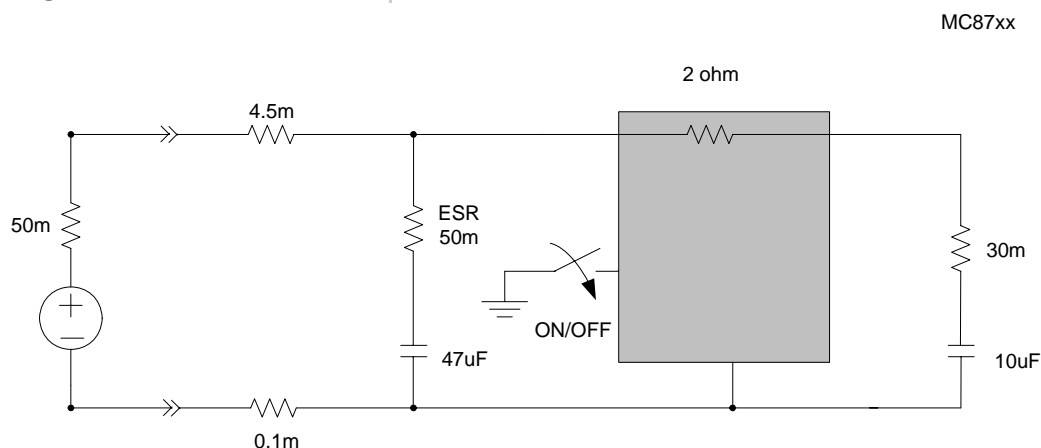




Figure 2-5: Inrush model - MC87xx



*Note: In some circumstances, depending on temperature and the components in use, two or more regulators may switch on at the same time. The host power system must be designed to handle this possibility.*

### Inrush current via application of host power supply

This event occurs when the host's supply is enabled, charging the input capacitors on the Mini Card power rail. The switch shown in Figure 2-4 and Figure 2-5 is open (typically) when this event occurs.

To limit the inrush current and stabilize the supply of power to the module, sufficient capacitance must be added to the host power rail. The recommended capacitance range is 470  $\mu\text{F}$  - 1000  $\mu\text{F}$ .

Peak current (IPEAK) is calculated using:

$$I_{PEAK} = V_{CC} / R_{SERIES}$$

$$R_{SERIES} = (\text{impedance from power source (+ive) through to the Regulator output capacitor}) \\ + (\text{impedance from power source (-ive) through to GND pins of the EM regulator})$$

### Inrush current via floating W\_Disable#

The second event type occurs when the host leaves the W\_Disable# signal floating (high impedance) to power up the module. The switch shown in Figure 2-4 and Figure 2-5 is closed when this event occurs. This enables the power management system of the module, charging several internal regulator output capacitors.

When W\_Disable# is left floating (high impedance), the peak current is less than 500 mA (with a 30  $\mu\text{s}$  rise time).

## Timing requirements

### Power ramp-up

During the first 0.5 seconds, as the internal voltage regulators are activated in sequence, several current transients of up to 500 mA with a 30  $\mu$ s rise time may occur.

The supply voltage must remain within specified tolerances while this is occurring.

### Power-up timing

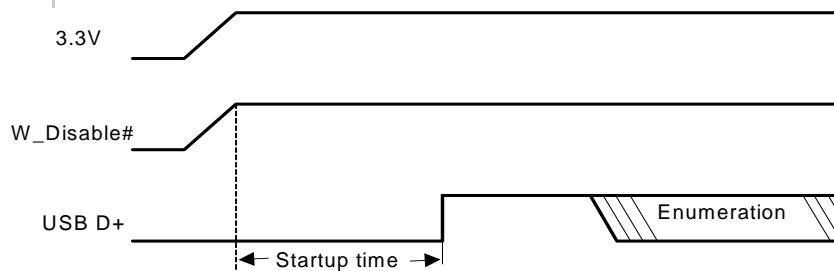
The unit is ready to enumerate with a USB host within a maximum of 5.1 seconds (depending on module type) after power-up. (Most modules enumerate within 4 seconds.)

---

*Note: The actual startup time may vary between the different module types (for example, MC5725 versus MC8775).*

---

**Figure 2-6: Power-up timing diagram**




---

*Note: Startup time is the time after power-up when the modem is ready to begin the enumeration sequence.*

---

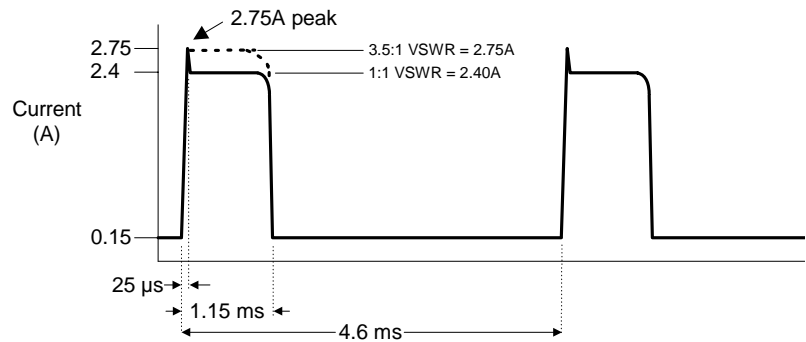
## Transmit power wave form (GSM)

As shown in [Figure 2-7](#), at maximum GSM transmit power, the input current can remain at 2.4 A for up to 25% of each 4.6 ms GSM cycle (1.15 ms). For Class 12 operation, the peak could remain for 2.3 ms (four timeslots). The 2.4 A current draw is for 50 ohm systems (1:1 VSWR). For worst-case antenna designs, such as 3.5:1 VSWR (as stated in [Table 2-5](#)), this current draw could increase from 2.4 A to 2.75 A, as shown in

the diagram. Beyond the 3.5:1 VSWR as recommended to be worst-case in Table A-5, the current draw could increase beyond 2.75 A to 3.5 A.

At maximum GSM transmit power, the input current can remain at 2.4 A for up to 25% of each 4.6 ms GSM cycle (1.15 ms) after initially reaching a peak of 2.75 A average over 100  $\mu$ s and with an instantaneous peak current of 3.5 A.

**Figure 2-7: GSM transmit power wave form**



## Current consumption

Current consumption depends on the module's operating mode at any given time.

This section describes:

- Current consumption for both module types (MC57xx and MC87xx)
- Operating modes

## Current consumption overview

Electrical requirements and current specifications are listed in [Table 2-3](#) (MC57xx), [Table 2-4](#) (MC8775/MC8775V), [Table 2-5](#) (MC8780/MC8781), [Table 2-6](#) (MC8785V), and [Table 2-7](#) (MC8790/MC8790V/MC8791V/MC8792V). These specifications identify minimum, typical, and maximum current drain for each operating mode (while in the Normal state):

- Transmit
- Receive
- Sleep
- Deep sleep
- Shutdown

The current consumption values in these tables were measured using a supply voltage of 3.3 V. The device's supply voltage is 3.0–3.6 V with a typical voltage of 3.3 V.

---

*Note: Values in this guide are taken from the appropriate product specification documents (PSDs) (listed in [Related documents, page 13](#)) — in the case of a discrepancy between this document and the relevant PSD, use the value listed in the PSD.*

---

*Note: For sleep modes, the values shown are for the **actual** sleep state. The module wakes at intervals to control timing and check for traffic — at these moments the current consumption is higher.*

**Table 2-3: Current specifications (MC57xx)**

Condition	Current consumption (mA)		
	Min	Typical	Max
CDMA Transmitting	250	300	950
CDMA Transmitting (MC5728/MC5728V)	TBD	TBD	TBD
Current depends on the radio band in use and the network's control of the module's output power. The 'Typical' value is based on: <ul style="list-style-type: none"> <li>• 40% full rate, and</li> <li>• 60% 1/8<sup>th</sup> rate over -35 to +23.5 dBm.</li> </ul>			
CDMA Receiving	90	100	120
CDMA Receiving (MC5728/MC5728V)	TBD	TBD	TBD
CDMA Sleep (default slot cycle = 2)	1.4	1.7	1.75
CDMA Sleep, MC5728/MC5728V (default slot cycle = 2)	TBD	TBD	TBD
The module supports slotted mode operation and Quick Paging Channel (both enable reduced sleep current). The values shown are the <i>lowest</i> power consumption during the sleep cycle. The default Slot Cycle Index (SCI) for slotted mode operation is determined by the PRI setting (usually 1).			
Deep Sleep Average	0.5	0.7	1.5
Deep Sleep Average (MC5728/MC5728V)	TBD	TBD	TBD
Shutdown	0.25	0.30	0.35
Shutdown (MC5728/MC5728V)	TBD	TBD	TBD

**Table 2-4: Current specifications (MC8775 / MC8775V)**

Description	Band	Typ	Max	Units	Notes / Configuration
<b>Averaged standby DC current consumption</b>					
<b>With Sleep mode activated</b> (assumes USB bus is fully suspended during measurements)					
HSDPA / WCDMA	Bands I, II, V	2.9	4	mA	DRX cycle = 8 (2.56 s)
GSM / GPRS / EDGE	All	2.8	4	mA	MFRM = 5 (1.175 s)

**Table 2-4: Current specifications (MC8775 / MC8775V) (Continued)**

Description	Band	Typ	Max	Units	Notes / Configuration
<b>With Sleep mode deactivated</b> (assumes USB bus is fully suspended during measurements)					
HSDPA / WCDMA	Bands I, II, V	73	80	mA	DRX cycle = 8 (2.56 s)
GSM / GPRS / EDGE	All	46	55	mA	MFRM = 5 (1.175 s)
<b>Low Power Mode (LPM) / Offline Mode</b>					
RF disabled, but module is operational		2.5	4	mA	This state is entered when Watcher <sup>®</sup> (or other application) shuts down / turns off the radio.
<b>Averaged WCDMA / HSDPA DC current consumption</b>					
WCDMA talk current (AMR 12.2 kbps vocoder)	Bands I, II, V	300	-	mA	0 dBm Tx power
		480	-	mA	+15 dBm Tx power
		650	-	mA	+21 dBm Tx power
WCDMA data current		330	-	mA	64 kbps UL / 384 kbps DL, +0 dBm Tx power
WCDMA searching channels			180	mA	320 mA peak
HSDPA current		340	-	mA	0 dBm Tx power
Maximum peak talk current		-	1.2	A	Max RF output power, full rate, full operating temperature range
<b>Averaged GSM / EDGE DC current consumption</b>					
GSM Talk current (Full rate GSM vocoder, averaged over multiple Tx frames)	Quad GSM	300	-	mA	+5 dBm Tx power
		210	-	mA	+13 dBm Tx power
		300	-	mA	+29 dBm Tx power
	GSM850 & GSM900	360	-	mA	+33 dBm Tx power
GPRS current (+13 dBm Tx power, GPRS CS2, averaged over multiple Tx frames)	Quad GSM	180	-	mA	1 Rx / 1 Tx slot
		180	-	mA	2 Rx / 1 Tx slot
		240	-	mA	4 Rx / 2 Tx slot
GSM / GPRS searching channels	Quad GSM, GSM850, GSM900		163	mA	489 mA peak

**Table 2-4: Current specifications (MC8775 / MC8775V) (Continued)**

Description	Band	Typ	Max	Units	Notes / Configuration
EDGE current (14 dBm Tx Power, averaged over multiple Tx frames)	Quad GSM	180	-	mA	1 Rx / 1 Tx slot
		180	-	mA	2 Rx / 1 Tx slot
		240	-	mA	4 Rx / 2 Tx slot
Maximum Peak Talk current	Quad GSM	2.3	2.75	A	Max RF output power, Tx pulse current, full operating temperature range
<b>Miscellaneous DC current consumption</b>					
Module OFF leakage current	All	310	600	μA	Full operating temperature range
USB transmit current	All	-	10	mA	Full speed USB connection, C <sub>L</sub> = 50 pF on D+ and D- signals

**Table 2-5: Current specifications (MC8780 / MC8781)**

Description	Band	Typ	Max	Units	Notes / Configuration
<b>Averaged standby DC current consumption</b>					
<b>With Sleep mode activated</b> (assumes USB bus is fully suspended during measurements)					
HSDPA / WCDMA	UMTS bands	3	4	mA	DRX cycle = 8 (2.56 s)
GSM / GPRS / EDGE	GSM bands	3	4	mA	MFRM = 5 (1.175 s)
<b>With Sleep mode deactivated</b> (assumes USB bus is fully suspended during measurements)					
HSDPA / WCDMA	UMTS bands	46	50	mA	DRX cycle = 8 (2.56 s)
GSM / GPRS / EDGE	GSM bands	50	55	mA	MFRM = 5 (1.175 s)
<b>Low Power Mode (LPM) / Offline Mode</b>					
RF disabled, but module is operational		3	4	mA	This state is entered when Watcher (or other application) shuts down / turns off the radio.

**Table 2-5: Current specifications (MC8780 / MC8781) (Continued)**

Description	Band	Typ	Max	Units	Notes / Configuration
<b>(Maximum power) Averaged WCDMA / HSDPA data current consumption</b> (includes USB bus current)					
WCDMA	UMTS bands	800		mA	384 kbps at 20 dBm Tx power <sup>a</sup>
		300		mA	0 dBm Tx power
HSUPA		850		mA	2 Mbps at 20 dBm Tx power
		400		mA	0 dBm Tx power
HSDPA (1.8 Mbps / 3.6 Mbps / 7.2 Mbps)		850		mA	All speeds at 20 dBm Tx power <sup>b</sup>
		450		mA	0 dBm Tx power
<b>(Maximum power) Averaged GSM / EDGE data current consumption</b> (includes USB bus current)					
GSM / GPRS	GSM bands	560		mA	Max PCL for each band <sup>c</sup>
		230		mA	10 dBm Tx
EDGE	GSM bands	520		mA	Class 12 <sup>c</sup>
Peak current (averaged over 100 $\mu$ s)	GSM bands	2.75		A	Worst case on 850 / 900 band.

- Highest current is on Band II (PCS1900)
- Approximate current difference between speeds = 20 mA  
Example: Current(7.2 Mbps) = Current(3.6 Mbps) + 20 mA = Current(1.8 Mbps) + 40 mA
- Highest current is on 850 / 900 band Class 10 (Class 12 implements power backoff). Current on 1800 / 900 bands is typically 100–200 mA less.

**Table 2-6: Current specifications (MC8785V)**

Description	Band	Typ	Max	Units	Notes / Configuration
<b>Averaged standby DC current consumption</b>					
<b>With Sleep mode activated</b> (assumes USB bus is fully suspended during measurements)					
HSDPA / WCDMA	UMTS bands	4	5	mA	DRX cycle = 8 (2.56 s)
GSM / GPRS / EDGE	GSM bands	4	5	mA	MFRM = 5 (1.175 s)
<b>With Sleep mode deactivated</b> (assumes USB bus is fully suspended during measurements)					
HSDPA / WCDMA	UMTS bands	96	100	mA	DRX cycle = 8 (2.56 s)
GSM / GPRS / EDGE	GSM bands	96	100	mA	MFRM = 5 (1.175 s)

**Table 2-6: Current specifications (MC8785V) (Continued)**

Description	Band	Typ	Max	Units	Notes / Configuration
<b>Low Power Mode (LPM) / Offline Mode</b>					
RF disabled, but module is operational		4	5	mA	This state is entered when Watcher (or other application) shuts down / turns off the radio.
<b>Averaged Call Mode WCDMA / HSDPA data DC power consumption</b>					
WCDMA	UMTS bands	700		mA	384 kbps at 20 dBm Tx power <sup>a</sup>
		300		mA	0 dBm Tx power
HSUPA		750		mA	2 Mbps at 20 dBm Tx power
		340		mA	0 dBm Tx power
HSDPA (1.8 Mbps / 3.6 Mbps / 7.2 Mbps)		750		mA	All speeds at 20 dBm Tx power <sup>b</sup>
		340		mA	0 dBm Tx power
Peak current (averaged over 100 μs)		780		mA	
<b>Averaged Call Mode GSM / EDGE data DC power consumption (with 4 time slots)</b>					
GSM / GPRS	GSM bands	650		mA	Max PCL for each band <sup>c</sup>
		220		mA	10 dBm Tx
EDGE	GSM bands	670		mA	Class 12 <sup>c</sup>
Peak current (averaged over 100 μs)	GSM bands	2.5		A	Worst case on 850 / 900 band.

- a. Highest current is on Band II (PCS1900)
- b. Approximate current difference between speeds = 30 mA
- c. Highest current is on 850 / 900 band Class 10 (Class 12 implements power backoff). Current on 1800 / 900 bands is typically 100–200 mA less.

**Table 2-7: Current specifications (MC8790/MC8790V/MC8791V/MC8792V)**

Description	Band	Typ	Max	Units	Notes / Configuration
<b>Averaged standby DC current consumption</b>					
<b>With Sleep mode activated</b> (assumes USB bus is fully suspended during measurements)					
HSDPA / WCDMA	UMTS bands	4	5	mA	DRX cycle = 8 (2.56 s)
GSM / GPRS / EDGE	GSM bands	4	5	mA	MFRM = 5 (1.175 s)



**Table 2-7: Current specifications (MC8790/MC8790V/MC8791V/MC8792V)**

Description	Band	Typ	Max	Units	Notes / Configuration	
<b>With Sleep mode deactivated</b> (assumes USB bus is fully suspended during measurements)						
HSDPA / WCDMA	UMTS bands	40	50	mA	DRX cycle = 8 (2.56 s)	
GSM / GPRS / EDGE	GSM bands	40	50	mA	MFRM = 5 (1.175 s)	
<b>Low Power Mode (LPM) / Offline Mode</b>						
RF disabled, but module is operational		4	5	mA	This state is entered when Watcher (or other application) shuts down / turns off the radio.	
<b>Averaged Call Mode WCDMA / HSDPA data DC power consumption</b>						
WCDMA	UMTS bands	700		mA	384 kbps at 20 dBm Tx power <sup>a</sup>	
		300		mA	0 dBm Tx power	
HSUPA		800		mA	2 Mbps at 20 dBm Tx power	
		350		mA	0 dBm Tx power	
HSDPA (1.8 Mbps / 3.6 Mbps / 7.2 Mbps)		800		mA	All speeds at 20 dBm Tx power <sup>b</sup>	
		370		mA	0 dBm Tx power	
Peak current (averaged over 100 $\mu$ s)			720		mA	
<b>Averaged Call Mode GSM / EDGE data DC power consumption (with 4 time slots)</b>						
GSM / GPRS	GSM bands	650		mA	Max PCL for each band <sup>c</sup>	
		300		mA	10 dBm Tx	
EDGE	GSM bands	620		mA	Class 12 <sup>c</sup>	
Peak current (averaged over 100 $\mu$ s)	GSM bands	2.6		A	Worst case on 850 / 900 band.	

- Highest current is on Band II (PCS1900)
- Approximate current difference between speeds = 30 mA
- Highest current is on 850 / 900 band Class 10 (Class 12 implements power backoff). Current on 1800 / 900 bands is typically 100–200 mA less.

**Table 2-8: Miscellaneous DC power consumption (MC8780/MC8781/MC8785V/MC8790/MC8790V/MC8791V/MC8792V)**

Signal	Description	Band	Typ	Max	Units	Notes / Configuration
VCC	Module OFF leakage current	All bands	400	600	μA	Full operating temperature range
	USB transmit current	All bands	10	10	mA	Full speed USB connection, C <sub>L</sub> = 50 pF on D+ and D- signals

## Modes

### Transmit and Receive modes

Current consumption in transmit or receive mode (in a call or data connection) is affected by several factors, such as:

- Radio band being used
- Transmit power
- Receive gain settings
- Data rate
- Number of active Transmit time slots (for transmit mode)

### Sleep mode

Sleep mode is the normal state of the module between calls or data connections. In this reduced power mode, the module cycles between wake (polling the network) and sleep, at an interval determined by the network provider.

### Deep sleep

Deep sleep mode is a reduced power, out-of-network-coverage mode, that the module enters when it cannot acquire network service after several minutes.

The module then exits deep sleep periodically to try to acquire service, and if successful, attempts to register.

### Shutdown mode

While in shutdown mode, the module is powered off, but still draws a minimal current from the host power supply.

## SED (Smart Error Detection)

(MC87xx only)

The MC87xx modem uses a form of SED to track recurrent premature modem resets. In such cases, the modem automatically forces a pause in boot-and-hold mode at power-on to accept an expected firmware download to resolve the problem.

The SED process is implemented as follows:

- The modem tracks consecutive resets of the modem within 30 seconds of power-on.
- After a third consecutive reset occurs, the modem automatically waits up to 30 seconds in boot-and-hold mode, waiting for a firmware download to resolve the power-cycle problem.
- After 30 seconds (if no firmware download begins), the modem continues to power-on.
- If the modem resets again within 30 seconds of power-on, the modem again waits in boot-and-hold mode.

This process continues until the unexpected power-cycle issue is resolved—either a firmware download occurs, or the modem doesn't reset spontaneously within 30 seconds of power-on.

## Usage models

Usage models can be used to calculate expected current consumption. A sample usage model is provided in [Table 2-9](#), based on the values in [Table 2-3](#) for a CDMA module.

**Table 2-9: Power consumption of a sample application**

	Used by a field worker (data only)	Used for remote data logging
Upload (module Tx)	1000 kB/day	40 kB/h
Download (module Rx)	500 kB/day	100 kB/day
Coverage / data rate	1X / 80 kbps	IS-95 / 14.4 kbps
Hours of operation	8/day (off 16 hrs/day)	24/day
Total power consumed over 24 hours	60 mAh	200 mAh

This example model applies to a battery-operated device. In practice, because the module is isolated from the battery (the host device manages the power source), the mAh ratings depend on the device's supply efficiency.

The module automatically enters slotted sleep mode when there is no transmission or reception occurring (SCI = 2).

Transmit power is assumed to be +3 dBm.



## 3: RF Integration

This chapter provides information related to the RF (Radio Frequency) integration of the MC57xx and MC87xx modules with host devices. The frequencies of operation and performance specifications vary depending on the module model used. RF performance parameters for typical modules are listed in [Table 3-1](#) and [Table 3-2](#).

*Note: Values in this guide are taken from the appropriate product specification documents (PSDs) (listed in [Related documents](#), [page 13](#)) — in the case of a discrepancy between this document and the relevant PSD, use the value listed in the PSD.*

**Table 3-1: MC57xx — Typical RF parameters**

Band	Tx Band (MHz)	Tx Power (dBm)	Rx Band (MHz)	Rx Sensitivity (dBm)
PCS	1851–1910	+23 to +25	1930–1990	< -106
Cellular	824–849	+23 to +25	869–894	< -106
GPS			1575.42	SA Off: -148 SA On: -152

**Table 3-2: MC87xx— RF parameters**

Product	Band	Frequencies (MHz)	Conducted Rx Sensitivity (dBm)		GPS Conducted Sensitivity (dBm)	Conducted Transmit Power (dBm)
			Typical	Maximum		
MC8775 MC8775V MC8780 MC8781 MC8785V MC8790 MC8790V MC8791V MC8792V	GSM 850 (2%) CS	Tx: 824–849 Rx: 869-894	-107.5	-106		+32 ± 1 (GMSK) +27 ± 1 (8PSK)
	EGSM 900 (2%) CS	Tx: 880-915 Rx: 925-960	-107.5	-106		+32 ± 1 (GMSK) +27 ± 1 (8PSK)
	DCS 1800 (2%) CS	Tx: 1710-1785 Rx: 1805-1880	-106.5	-105		+29 ± 1 (GMSK) +26 ± 1 (8PSK)
	PCS 1900 (2%) CS	Tx: 1850-1910 Rx: 1930-1990	-106.5	-105		+29 ± 1 (GMSK) +26 ± 1 (8PSK)

**Table 3-2: MC87xx— RF parameters (Continued)**

Product	Band	Frequencies (MHz)	Conducted Rx Sensitivity (dBm)		GPS Conducted Sensitivity (dBm)	Conducted Transmit Power (dBm)
			Typical	Maximum		
<b>MC8775</b> <b>MC8775V</b> <b>MC8780</b> <b>MC8781</b> <b>MC8785V</b> <b>MC8790</b> <b>MC8790V</b> <b>MC8791V</b> <b>MC8792V</b>	Band I UMTS 2100 (0.1%) 12.2 kbps	Tx: 1920–1980 Rx: 2110–2170	-110.5	-109		+23 ± 1
<b>MC8775</b> <b>MC8775V</b> <b>MC8780</b> <b>MC8781</b> <b>MC8785V</b> <b>MC8790</b> <b>MC8790V</b> <b>MC8792V</b>	Band II UMTS 1900 (0.1%) 12.2 kbps	Tx: 1850–1910 Rx: 1930–1990	-110.5	-109		+23 ± 1
<b>MC8775</b> <b>MC8775V</b> <b>MC8780</b> <b>MC8781</b> <b>MC8785V</b> <b>MC8790</b> <b>MC8790V</b>	Band V UMTS 850 (0.1%) 12.2 kbps (Band VI is included as a subset of Band V)	Tx: 824–849 Rx: 869–894	-111.5	-110		+23 ± 1
<b>MC8792V</b>	Band VIII UMTS 900 (0.1%) 12.2 kbps	Tx: 880–915 Rx: 925–960	-110.5	-109		+23 ± 1
<b>MC8775V</b> <b>MC8780</b> <b>MC8781</b> <b>MC8785V</b> <b>MC8790</b> <b>MC8790V</b> <b>MC8791V</b> <b>MC8792V</b>	GPS	1575.42			-154	

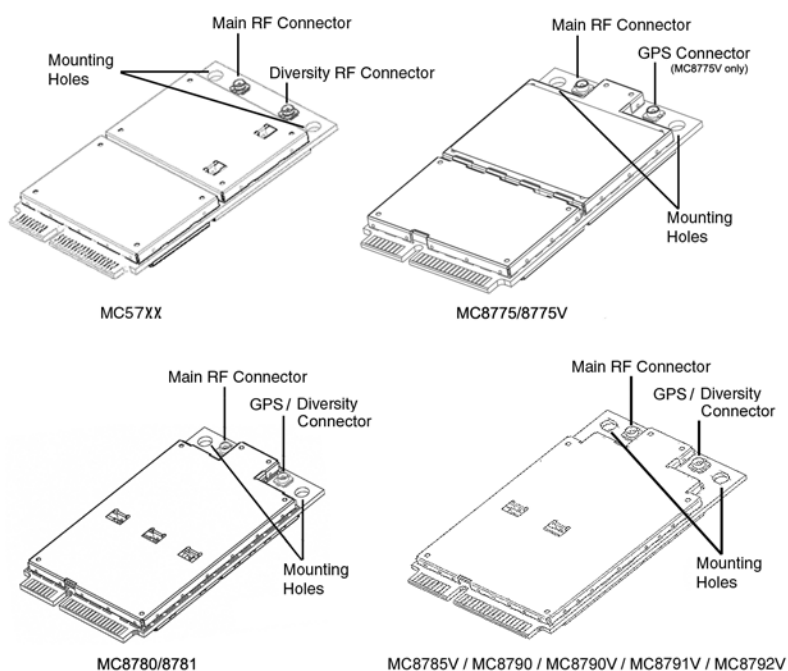
## RF connection

When attaching an antenna to the module:

- Use a Hirose U.FL connector (model U.FL #CL331-0471-0-10) to attach an antenna to a connection point on the module, as shown in [Figure 3-1](#) (the main RF connector on the top side; the diversity RF or GPS connector on the bottom side).
- Match coaxial connections between the module and the antenna to 50  $\Omega$ .
- Minimize RF cable losses to the antenna; the recommended maximum cable loss for antenna cabling is 0.5 dB.

**Note:** To **disconnect** the antenna, make sure you use the Hirose U.FL connector removal tool (P/N UFL-LP-N-2(01)) to prevent damage to the module or coaxial cable assembly.

**Figure 3-1: Antenna connection points and mounting holes**



## Ground connection

When connecting the module to system ground:

- Prevent noise leakage by establishing a very good ground connection to the module through the host connector.
- Connect to system ground using the two mounting holes at the top of the module (as shown in [Figure 3-1](#)).
- Minimize ground noise leakage into the RF. Depending on the host board design, noise could *potentially* be coupled to the module from the host board. This is

mainly an issue for host designs that have signals traveling along the length of the module, or circuitry operating at both ends of the module interconnects.

## Shielding

The module is fully shielded to protect against EMI and to ensure compliance with FCC Part 15 - "Radio Frequency Devices" (or equivalent regulations in other jurisdictions).

---

*Note: The module shields must NOT be removed.*

---

## Antenna and cabling

When selecting the antenna and cable, it is critical to RF performance to match antenna gain and cable loss.

### Choosing the correct antenna and cabling

Consider the following points for proper matching of antennas and cabling:

- The antenna (and associated circuitry) should have a nominal impedance of  $50\ \Omega$  with a return loss  $\leq 10$  dB across each frequency band of operation.
- The system gain value affects both radiated power *and* regulatory (FCC, IC, CE, etc.) test results.

### Developing custom antennas

Consider the following points when developing custom-designed antennas:

- A skilled RF engineer should do the development to ensure that the RF performance is maintained.
- Identify the bands that need to be supported, particularly when both the MC57xx and MC87xx will be installed in the same platform. In this case, you may want to develop separate antennas for maximum performance.

---

*Note: For detailed electrical performance criteria, see [Appendix A: Antenna Specification](#), page 101.*

---

### Determining the antenna's location

Consider the following points when deciding where to put the antenna:

- Antenna location may affect RF performance. Although the module is shielded to prevent interference in most applica-

---

*Note: Values in this guide are taken from the appropriate product specification documents (PSDs) (listed in [Related documents](#), page 13) — in the case of a discrepancy between this document and the relevant PSD, use the value listed in the PSD.*

---



tions, the placement of the antenna is still very important — if the host device is insufficiently shielded, high levels of broadband or spurious noise can degrade the module's performance.

- Connecting cables between the module and the antenna must have 50  $\Omega$  impedance. If the impedance of the module is mismatched, RF performance is reduced significantly.
- Antenna cables should be routed, if possible, away from noise sources (switching power supplies, LCD assemblies, etc.). If the cables are near the noise sources, the noise may be coupled into the RF cable and into the antenna.

#### Disabling the diversity antenna

- MC57xx — If your host device is not designed to use the MC57xx module's diversity antenna, terminate the interface with a 50  $\Omega$  load.
- MC8780/MC8781/MC8785V/MC8790/MC8790V/MC8791V/MC8792V — Use the AT command **!RXDEN=0** to disable receive diversity or **!RXDEN=1** to enable receive diversity.

## Interference and sensitivity

Several sources of interference can affect the RF performance of the module (RF desense). Common sources include power supply noise and device-generated RF.

RF desense can be addressed through a combination of mitigation techniques and radiated sensitivity measurement.

### Power supply noise

Noise in the power supply can lead to noise in the RF signal.

The power supply ripple limit for the module is no more than 200 mVp-p 1 Hz to 100 kHz. This limit includes voltage ripple due to transmitter burst activity.

### Interference from other wireless devices

Wireless devices operating inside the host device can cause interference that affects the module.

To determine the most suitable locations for antennas on your host device, evaluate each wireless device's radio system, considering the following:

- Any harmonics, sub-harmonics, or cross-products of signals generated by wireless devices that fall in the module's Rx

---

*Note: These modules are based on ZIF (Zero Intermediate Frequency) technologies; when performing EMC (Electromagnetic Compatibility) tests, there are no IF (Intermediate Frequency) components from the module to consider.*

---



---

*Note: Values in this guide are taken from the appropriate product specification documents (PSDs) (listed in [Related documents](#), page 13) — in the case of a discrepancy between this document and the relevant PSD, use the value listed in the PSD.*

---

---

*Note: The module can cause interference with other devices such as hearing aids and on-board speakers.*

*Wireless devices such as the Mini Card transmit in bursts (pulse transients) for set durations (RF burst frequencies). Hearing aids and speakers convert these burst frequencies into audible frequencies, resulting in audible noise.*

---

---

*Note: It is important to investigate sources of localized interference early in the design cycle.*

---

range may cause spurious response, resulting in decreased Rx performance.

- The Tx power and corresponding broadband noise of other wireless devices may overload or increase the noise floor of the module's receiver, resulting in Rx desense.

The severity of this interference depends on the closeness of the other antennas to the module's antenna. To determine suitable locations for each wireless device's antenna, thoroughly evaluate your host device's design.

## Device-generated RF

All electronic computing devices generate RF interference that can negatively affect the receive sensitivity of the module.

The proximity of host electronics to the antenna in wireless devices can contribute to decreased Rx performance. Components that are most likely to cause this include:

- Microprocessor and memory
- Display panel and display drivers
- Switching-mode power supplies

These and other high-speed devices (in particular, the processor) can decrease Rx performance because they run at frequencies of tens of MHz. The rapid rise and fall of these clock signals generates higher-order harmonics that often fall within the operating frequency band of the module, affecting the module's receive sensitivity.

### Example

On a sub-system running at 40 MHz, the 22nd harmonic falls at 880 MHz, which is within the cellular receive frequency band.

---

*Note: In practice, there are usually numerous interfering frequencies and harmonics. The net effect can be a series of desensitized receive channels.*

---

## Methods to mitigate decreased Rx performance

To reduce the effect of device-generated RF on Rx performance:

- Put the antenna as far as possible from sources of interference. The drawback is that the module may be less convenient to use.

- Shield the host device. The module itself is well shielded to avoid external interference. However, the antenna cannot be shielded for obvious reasons. In most instances, it is necessary to employ shielding on the components of the host device (such as the main processor and parallel bus) that have the highest RF emissions.
- Filter out unwanted high-order harmonic energy by using discrete filtering on low frequency lines.
- Form shielding layers around high-speed clock traces by using multi-layer PCBs.
- Route antenna cables away from noise sources.

## Radiated sensitivity measurement

A wireless device contains many sources of noise that contribute to a reduction in Rx performance.

To determine the extent of any desensitization of receiver performance due to self-generated noise in the host device, over-the-air (OTA) or radiated testing is required. This testing can be performed by Sierra Wireless or you can use your own OTA test chamber for in-house testing.

## Sierra Wireless' sensitivity testing and desensitization investigation

Most carriers require a certain level of receiver performance to ensure proper functioning of the device on their networks. Although the module has been designed to meet these carrier requirements, it is still susceptible to various performance inhibitors.

As part of the Engineering Services package, Sierra Wireless offers modem OTA sensitivity testing and desensitization (desense) investigation. For more information, contact your account manager or the Sales Desk (see [page 5](#)).

---

*Note: Sierra Wireless has the capability to measure TIS (Total Isotropic Sensitivity) and TRP (Total Radiated Power) according to CTIA's published test procedure.*

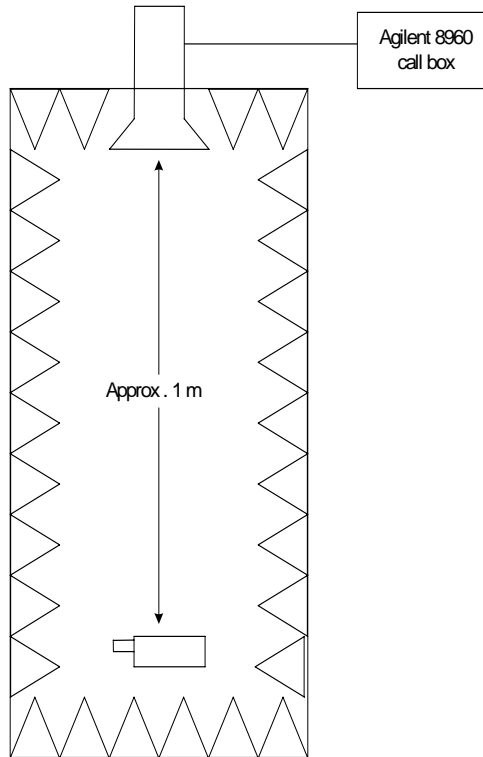
---

## OTA test chamber configuration

To make OTA measurements, a test chamber is required. A full-size anechoic chamber is not necessarily required. [Figure 3-2](#) shows a small anechoic chamber manufactured by

Lindgren. This does not provide power to the same accuracy as a full-size anechoic chamber, but is sufficient for this application. A base station simulator, such as an Agilent 8960 (shown) or Rohde & Schwarz CMU200, is used to provide FER (Frame Error Rate) measurements.

**Figure 3-2: Anechoic chamber**



### Path loss calculation

The chamber is calibrated for path loss using a reference antenna with known gain that is feeding a spectrum analyzer or power meter. This makes it possible to determine the radiated power available to the receiving antenna and the path loss:

$$\begin{aligned} \text{Radiated Power} = & \text{Measured received power} \\ & + \text{Any cable losses} \\ & - \text{Reference receive antenna gain} \end{aligned}$$

$$\begin{aligned} \text{Path Loss} = & \text{Radiated power} \\ & - \text{Input power} \end{aligned}$$

---

*Note: It is not necessary to know the gain of the transmitting antenna; it is included in the path loss.*

---

## Positioning the DUT (Device Under Test)

To achieve meaningful results, the device must be positioned such that the peak of the receive antenna pattern is pointed toward the source antenna. Theoretically, the best way to accomplish this is to modify the DUT so that antenna output is through coaxial cable. The device is then rotated until the receive power is maximized.

### Alternate path loss calculation method

Path loss can also be calculated, without modifying the DUT, by using the transmit capabilities of the unit. This method of calculation is possible because the position that maximizes transmitter power provides a sufficiently accurate location for receiver desense measurements. The unit is placed in a call and set to generate peak output power, either through a test mode, or by configuring the base station simulator to issue the appropriate command. The unit is then positioned for maximum power as determined by the call box.

## Sensitivity vs. frequency

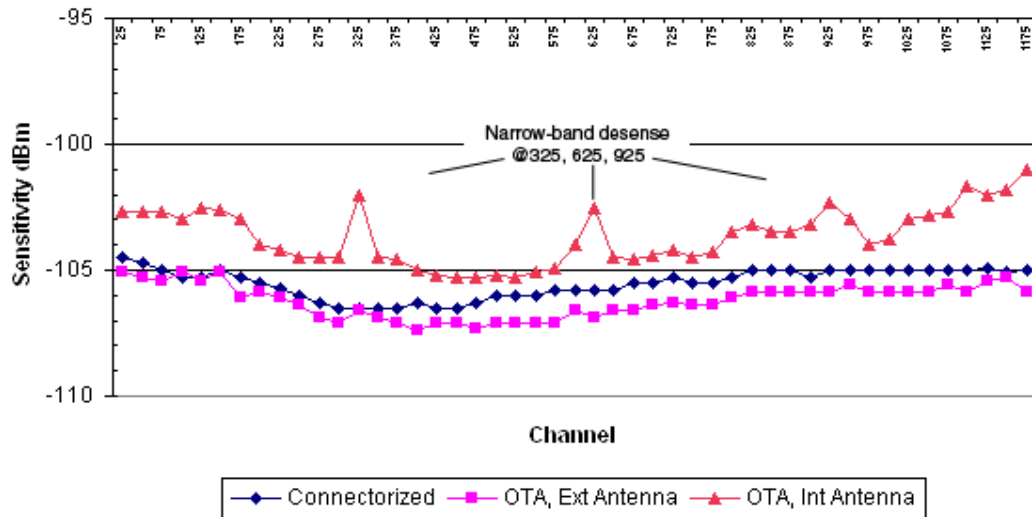
For the MC57xx, sensitivity is defined as the input power level in dBm that produces a FER (Frame Error Rate) of 0.5%. Sensitivity should be measured at all CDMA frequencies across each band. For example, [Figure 3-3](#) illustrates sensitivity in the US PCS band. There are 25 physical channels with a spacing of 50 KHz; the first CDMA channel is CH25.

For the MC87xx, sensitivity is defined as the input power level in dBm that produces a BER (Bit Error Rate) of 2% (GSM) or 0.1% (UMTS). Sensitivity should be measured at all GSM / UMTS frequencies across each band, as shown in [Figures 3-4 through 3-11](#).

**Sensitivity test results — MC57xx**

Figure 3-3 shows typical test results for the US PCS band for both conducted and over-the-air connections. The conducted (or "connectorized") measurements were made using an RF coaxial cable connection. The over-the-air measurements were made using both an external antenna and a typical device antenna.

**Figure 3-3: US PCS sensitivity measurements**

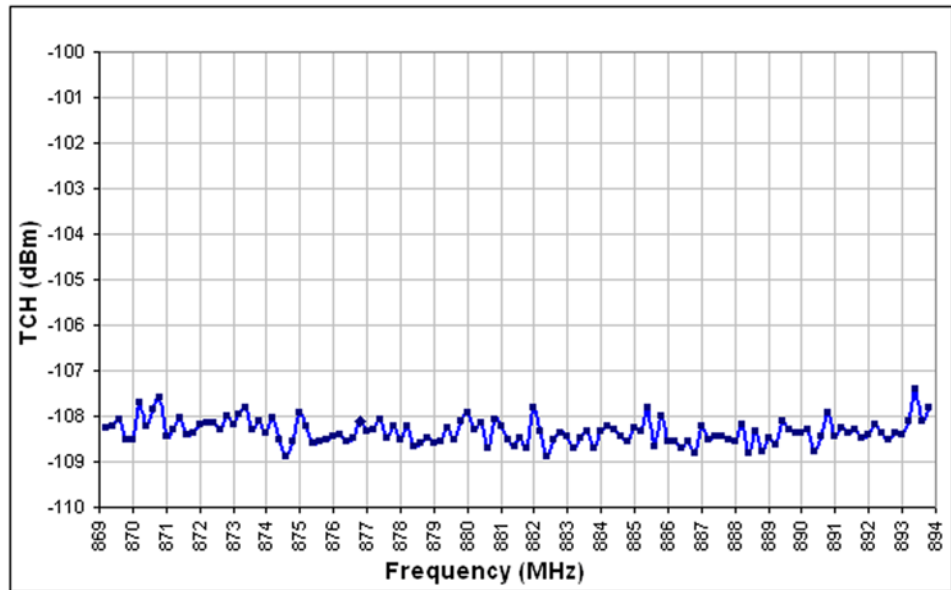


In this test, the external antenna performed best — the expected result if a high efficiency antenna with some gain is used. The internal antenna has less gain than the external antenna, so the internal antenna's performance is offset above the external antenna. The antenna gain must be known to determine whether the offset is strictly the result of antenna gain or if broadband desense is present. Narrowband desense can be seen at channels 325, 625, and 925.

**Sensitivity test results — MC87xx**

Figures 3-4 through 3-11 show typical test results for conducted connections for the GSM850, GSM900, GSM1800, GSM1900, UMTS850, UMTS1900, and UMTS2100 bands. The conducted measurements were made using an RF coaxial cable connection.

**Figure 3-4: GSM850 sensitivity for BERII < 2%**



**Figure 3-5: EGSM900 sensitivity for BERII < 2%**

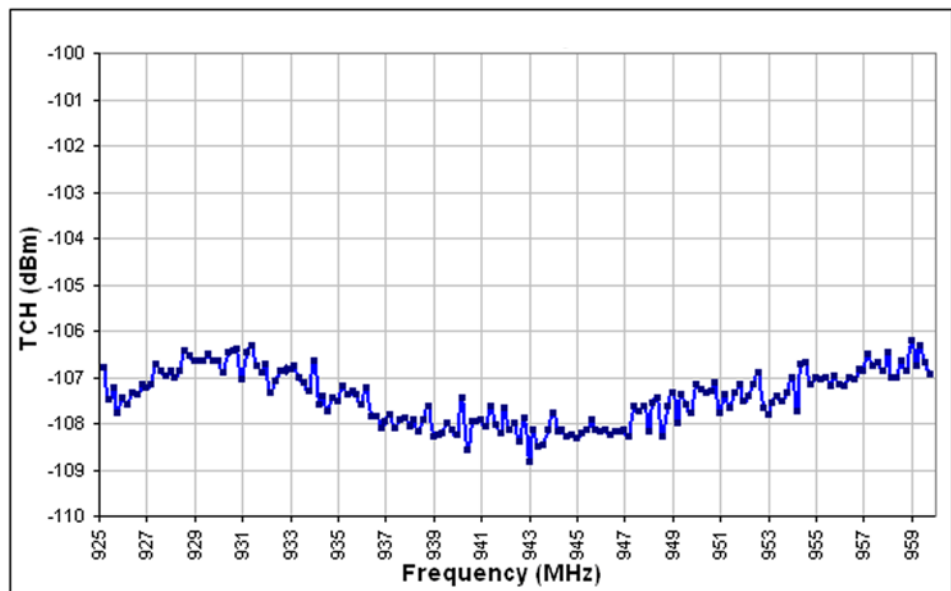


Figure 3-6: DCS1800 sensitivity for BER<sub>I</sub> < 2%

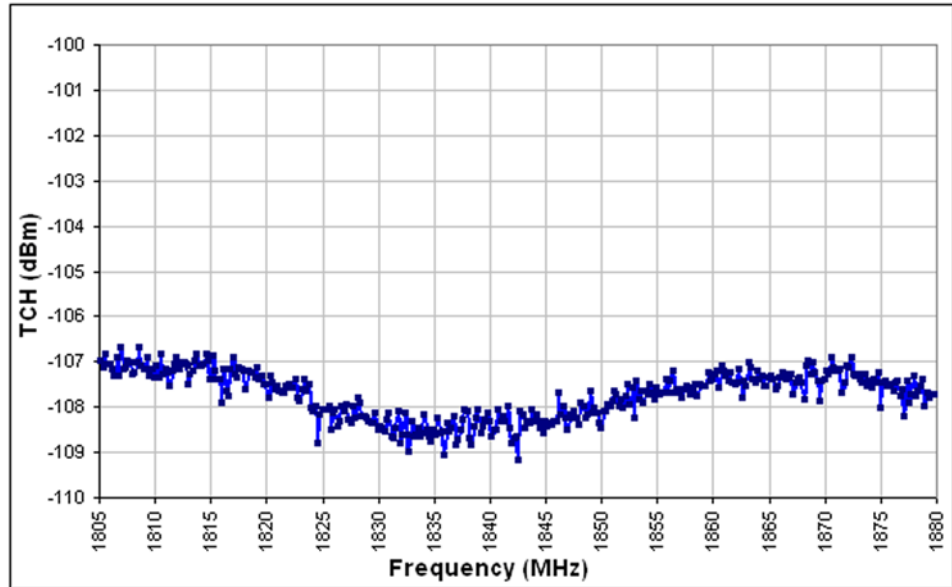


Figure 3-7: PCS1900 sensitivity for BER<sub>I</sub> < 2%

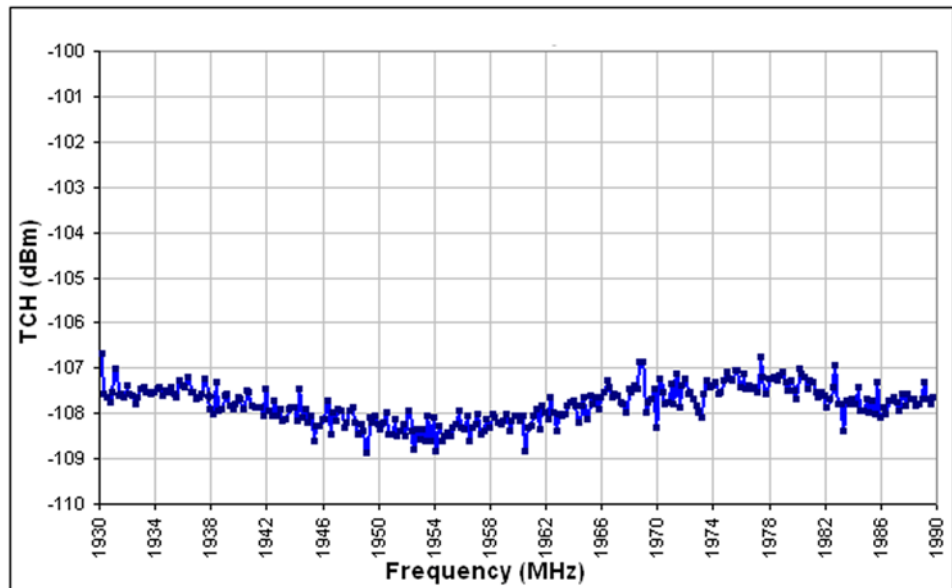




Figure 3-8: UMTS850 sensitivity for BER < 0.1%

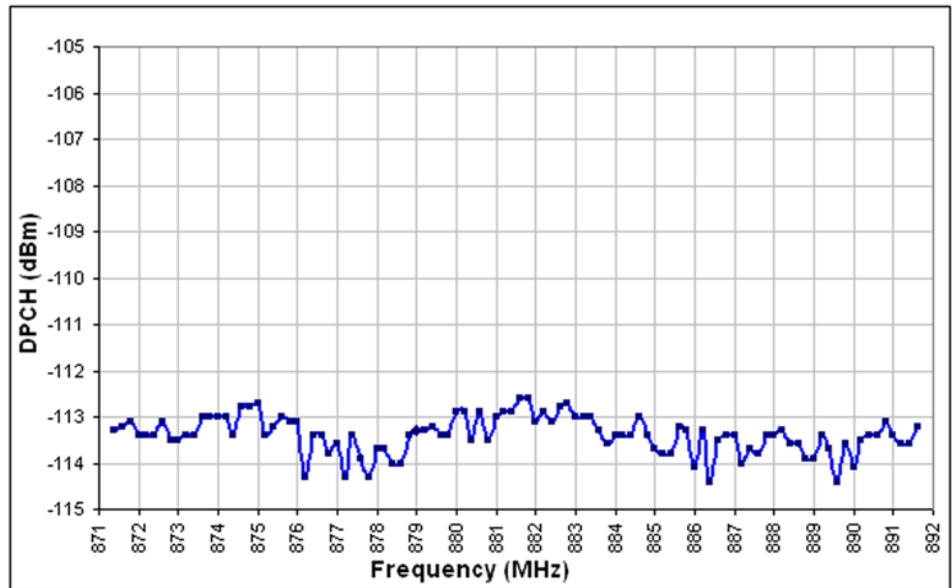


Figure 3-9: UMTS900 sensitivity for BER < 0.1

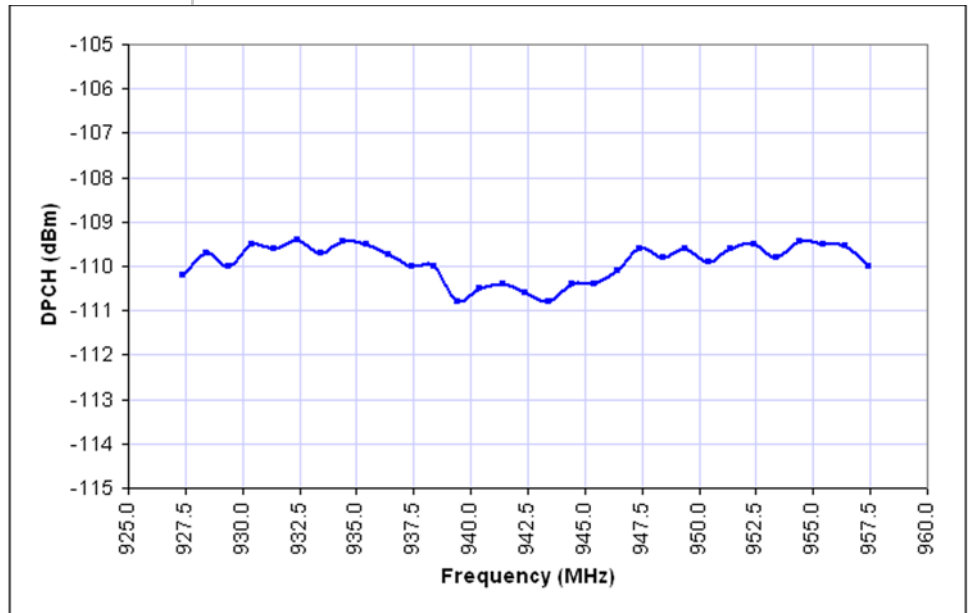


Figure 3-10: UMTS1900 sensitivity for BER < 0.1%

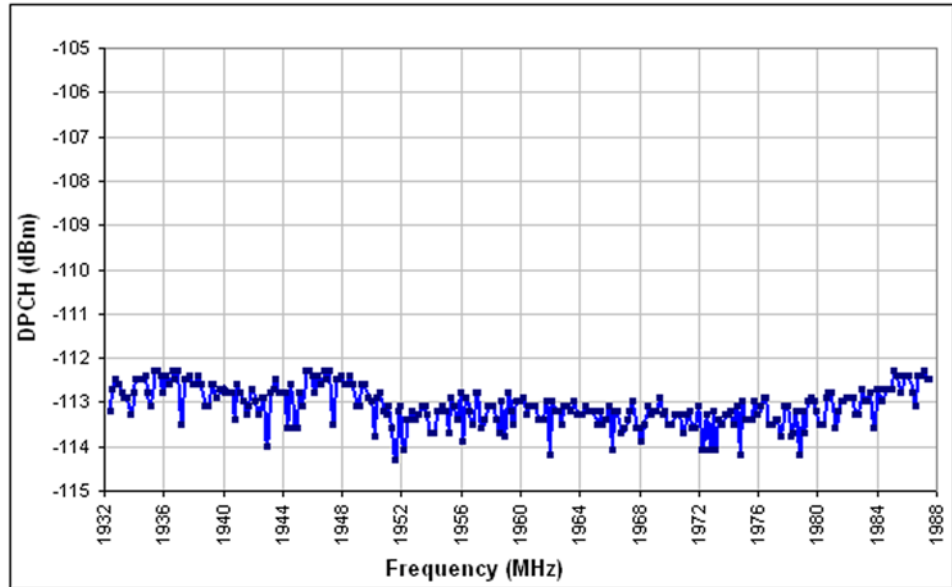
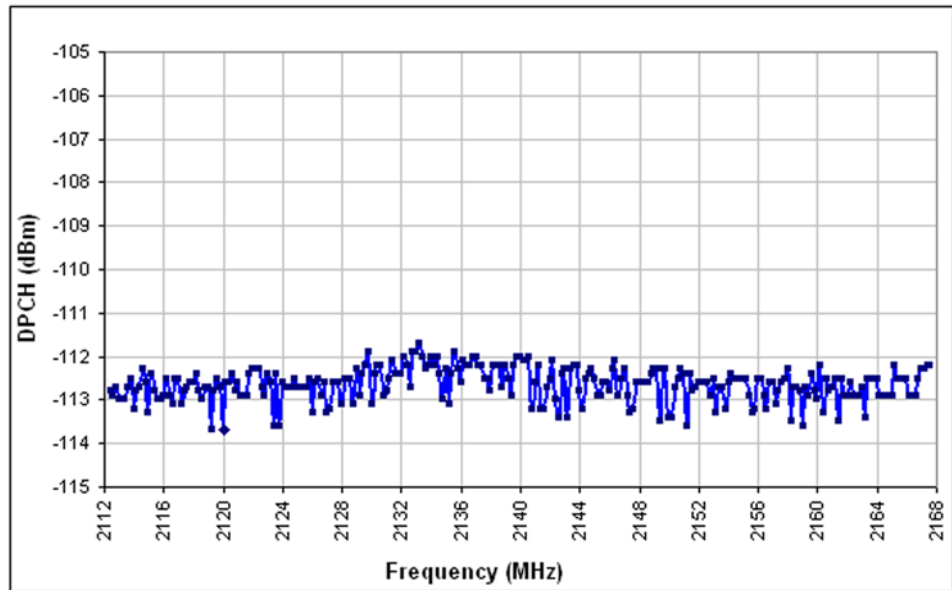


Figure 3-11: UMTS2100 sensitivity for BER < 0.1%



## 4: Audio Interface

*Note: Values in this guide are taken from the appropriate product specification documents (PSDs) (listed in [Related documents, page 13](#)) — in the case of a discrepancy between this document and the relevant PSD, use the value listed in the PSD.*

The MC5725V/MC5727V/ MC5728V /MC8775V/MC8785V/ MC8790V/MC8791V/MC8792V modules support four audio modes that may be required by a host audio system:

- Handset
- Headset
- Car kit
- Speakerphone

The modules support both a differential analog interface and PCM digital audio, and allow dynamic run-time selection of the appropriate mode.

[Table 4-1](#) summarizes the key audio features of these modules.

**Table 4-1: Audio features**

Feature	Transmit	Receive
<b>Gain (adjustable)</b>	MC5725V/MC5727V—Up to +16 dB analog gain  MC5728V — Programmable to 0 dB or +24 dB  MC8775V/MC8785V/MC8790V/ MC8791V/MC8792V—Up to +48.5 dB analog gain available (when the analog interface is selected)	Up to +12 dB
<b>Filtering stages</b>	Several adjustable high-pass and slope filters	High-pass filter
<b>Noise suppression</b>	Supported	n/a
<b>Echo cancellation</b>	Configurable for each audio mode (headset, handset, speakerphone, and car kit)	n/a
<b>Output driver stage</b>	n/a	Supported
<b>FIR (Finite Impulse Response) filtering</b>	MC87xx—Option of providing 13 tap FIR filtering for receive and transmit paths to equalize the acoustic response of the speaker and microphone elements.	
<b>Audio pass band</b>	300 Hz–3.4 kHz	

These modules are intended to serve as an integral component of a more complex audio system—for example, a PDA with a separate codec interfaced to the Host Application processor.

Usually, the interface between the module and the host audio system is set to line-level amplitudes with no transducer considerations. The responsibility of the module codec or host codec for special functions is detailed in [Table 4-2](#).

**Table 4-2: Functions - responsibility codecs**

Function	Responsible Codec
Phone oriented (e.g., echo cancellation, FIR filtering)	Module codec
Path-switching	Host codec
Transducer interfaces	Host codec
Adjustable gain / volume settings	Either
DTMF / ringer tone generation	Either
Mixing	Host codec

## System block diagrams

*Note: When integrating the module into your host platform, make sure the module has sufficient shielding to prevent RF interference.*

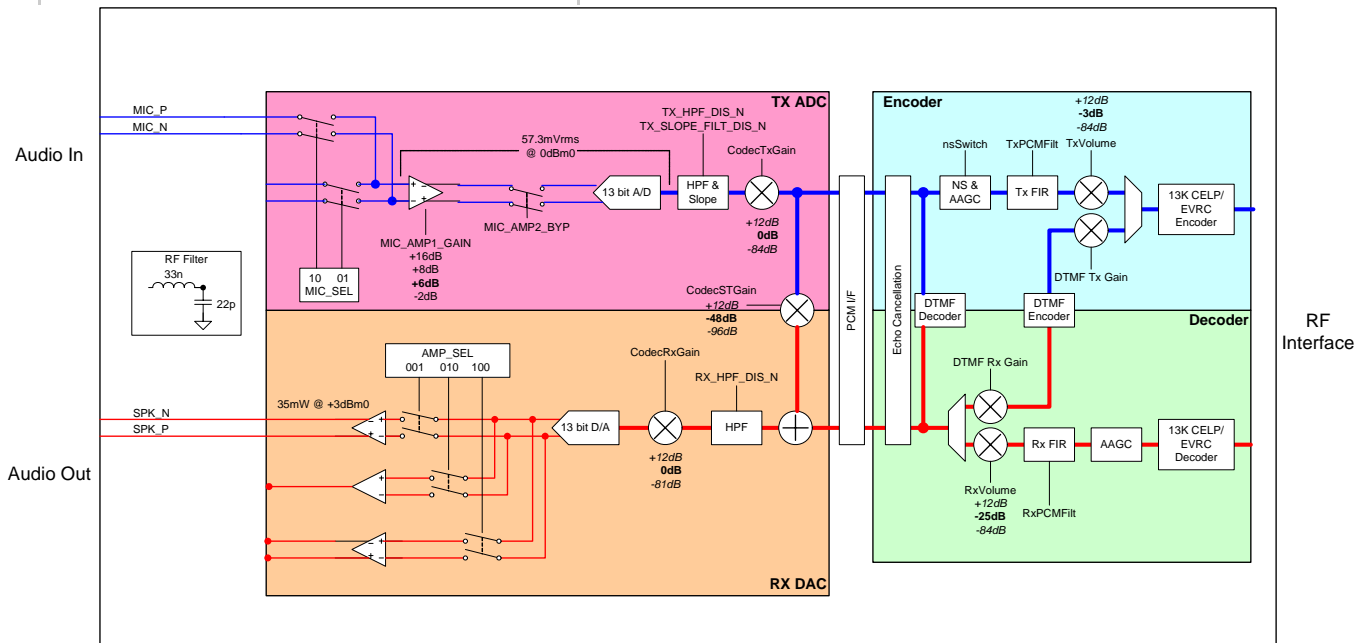
### MC5725V / MC5727V system block

[Figure 4-1](#) represents the MC5725V / MC5727V module’s audio system block, and includes the following features:

- Module interconnects are shown on the left side of the diagram. The audio interface uses the signals:
  - MIC\_P / MIC\_N
  - SPK\_P / SPK\_N
- Dynamic ranges for each programmable gain stage are listed, with the following constraints:
  - MIC\_AMP1 is programmable in discrete steps only
  - CodecSTGain, when set to the minimum setting, effectively mutes sidetone in the module codec

*Note: Make sure the host device includes DC blocking capacitors on the Audio In lines – the module does not include series capacitors.*

Figure 4-1: MC5725V / MC5727V Audio system block



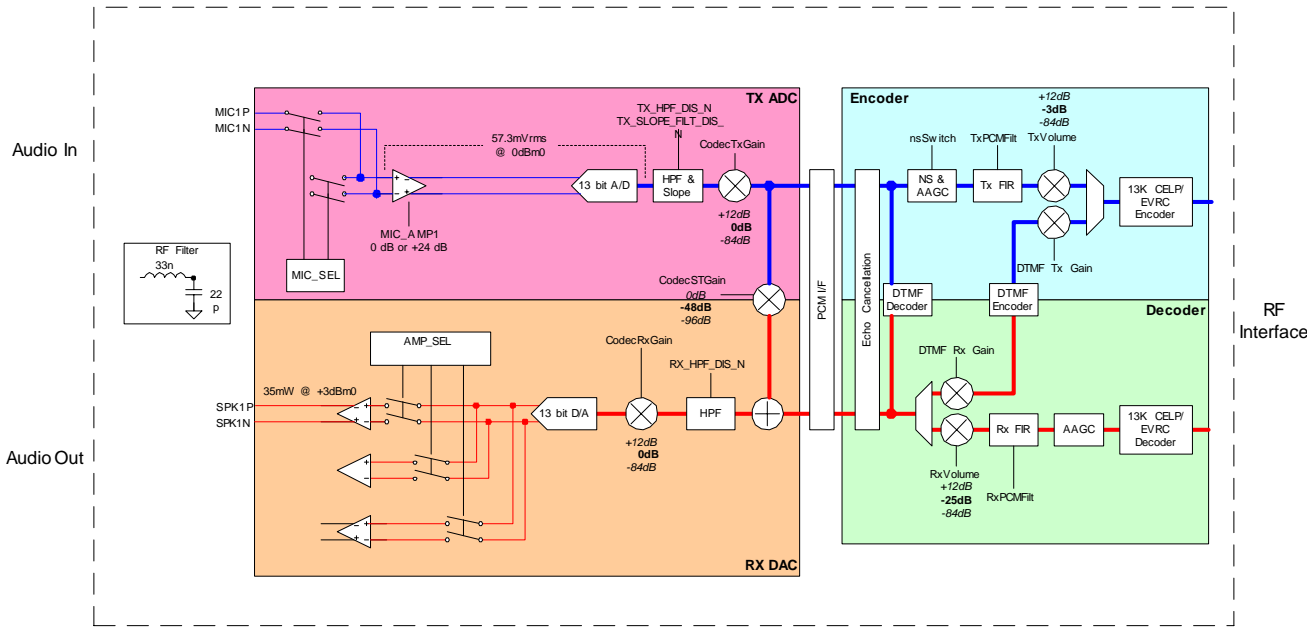
**MC5728V system block**

Figure 4-2 represents the MC5728V module’s audio system block, and includes the following features:

- Module interconnects are shown on the left side of the diagram. The audio interface uses the signals:
  - MIC\_P / MIC\_N
  - SPK\_P / SPK\_N
- Dynamic ranges for each programmable gain stage are listed, with the following constraints:
  - MIC\_AMP1 is programmable to 0 dB or +24 dB only
  - CodecSTGain, when set to the minimum setting, effectively mutes sidetone in the module codec

*Note: Make sure the host device includes DC blocking capacitors on the Audio In lines – the module does not include series capacitors.*

Figure 4-2: MC5728V Audio system block



**MC8775V/MC8785V/MC8790V/MC8791V/MC8792V system block**

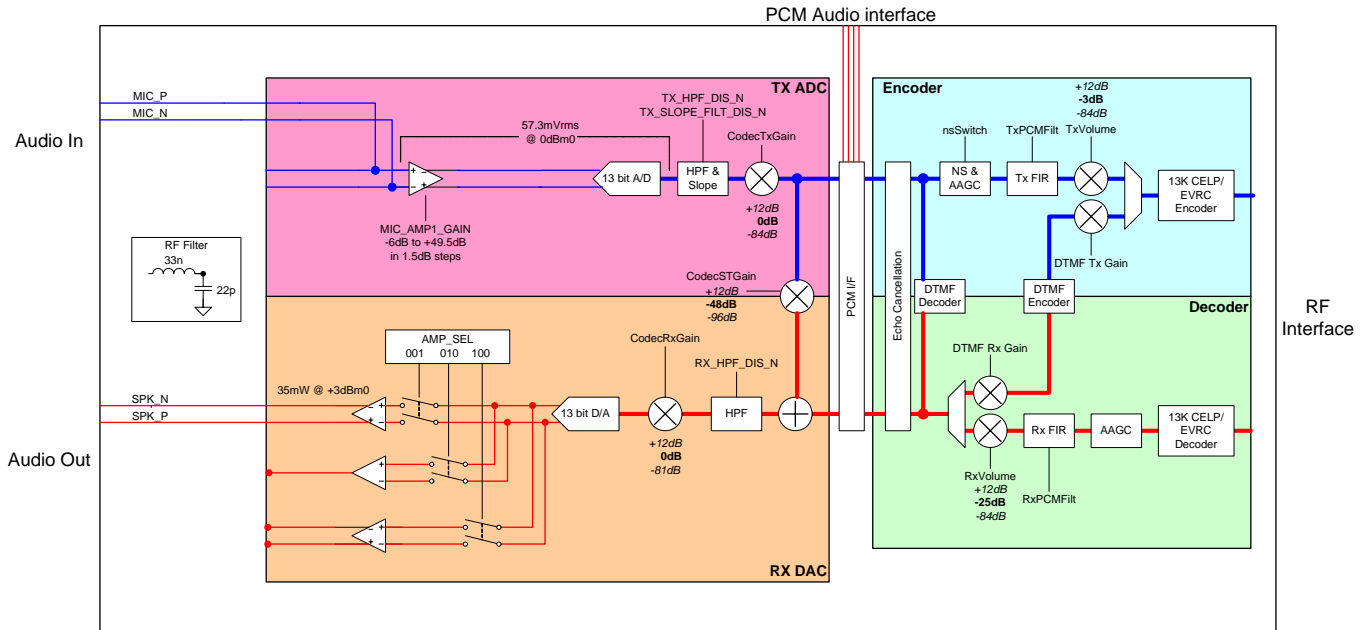
Figure 4-3 represents the MC8775V/MC8785V/MC8790V/MC8791V/MC8792V module’s audio system block, and includes the following features:

- Module interconnects are shown on the left side of the diagram. The analog audio interface uses the signals:
  - MIC\_P / MIC\_N
  - SPK\_P / SPK\_N
- The digital PCM audio interface uses the signals:
  - PCM\_CLK
  - PCM\_DIN
  - PCM\_DOUT
  - PCM\_SYNC
- Dynamic ranges for each programmable gain stage are listed, with the following constraints:
  - MIC\_AMP1 is programmable in 1.5 dB steps
  - CodecSTGain, when set to the minimum setting, effectively mutes sidetone in the module codec
- When PCM audio is selected, the RX DAC and TX ADC blocks are bypassed – the external PCM codec controls transmit gain, receive gain, and sidetone gain.

*Note: Make sure the host device includes DC blocking capacitors on the analog Audio In lines – the module does not include series capacitors.*

Note: Data mixing is not supported. If mixing of voice signal is required, it must be done by the host processor.

Figure 4-3: MC8775V/MC8785V/MC8790V/MC8791V/MC8792V Audio system block



## Modes of operation

These modules support four operational modes: headset, handset, car kit, and speakerphone—end products can use any combination of these modes.

The host device must use host-modem messaging to tell the module which mode to use for each call.

## Sidetone support

The sidetone path mixes the near-end transmit voice to the near-end receive. This gives the near-end user some feedback that indicates that the call is up and that the audio system is functioning.

The sidetone path can be enabled in either the PDA codec or the Mini Card modem—each path is equally valid. It should *not* be added to both devices, and for speakerphone or car kit applications, *both* sidetone paths should be disabled.

The typical handset sidetone is 12 dB below transmit voice levels.

For Handset and Headset mode, the threshold of pain (+120 dB SPL) *must not* be exceeded at the maximum volume setting. A good target for the medium volume setting is +94 dB SPL, as this is a typical level for conversational speech.

Most audio gain should be added to the host audio front end (within the PDA style codec gain blocks or amplifiers between the host codec and transducers). Refer to the appropriate Mini Card Product Specification Document for reference levels on the modem receive and transmit side.

### Echo cancellation support

The Mini Card offers four modes of echo cancellation to support unique end-unit audio capabilities (echo cancellation can also be turned off completely). All echo cancellation is near-end (mobile TX) cancellation only. The network provides some level of far-end echo cancellation.

**Table 4-3: Echo cancellation details**

Mode	Details
<b>Handset</b>	<ul style="list-style-type: none"> <li>• Short echo path (&lt;16 ms travel time from speaker to microphone)</li> <li>• Handset design requires good isolation between speaker and microphone</li> <li>• Echo canceller allows full-duplex conversation with absolute minimum echo</li> </ul>
<b>Headset</b>	<ul style="list-style-type: none"> <li>• Short echo path (&lt;16 ms travel time from speaker to microphone)</li> <li>• Headset design may allow higher echo than handset mode—microphone and speaker are physically closer</li> <li>• More aggressive echo canceller algorithm allows full-duplex conversation on headsets with good isolation</li> </ul>
<b>Car kit</b>	<ul style="list-style-type: none"> <li>• Long echo path (&lt;64 ms travel time from speaker to microphone)</li> <li>• Loud echo</li> <li>• For use with hands-free car kit or speakerphone applications with mild distortion</li> </ul>



**Table 4-3: Echo cancellation details**

Mode	Details
Speakerphone	<ul style="list-style-type: none"> <li>• Long echo path (&lt;64 ms travel time from speaker to microphone)</li> <li>• Loud echo</li> <li>• For use with speakerphone applications with high distortion</li> <li>• Half-duplex algorithm, very aggressive in near-end Tx muting to eliminate transmitted echo</li> </ul>
Off	

### Audio signal interface

The differential microphone input offers superior noise rejection performance to the single-ended approach. The termination of the differential pair rejects common signals (such as noise). The pair should be routed together for optimal noise rejection. Since MIC\_P and MIC\_N are high impedance inputs, it is important to isolate these from possible noise sources (toggling digital lines with fast edges).

The speaker interface can be single-ended or differential depending on product. Single-ended speaker outputs rely on modem ground as an audio reference.

The audio passband for both receive and transmit paths (speaker and microphone) extends from 300 Hz to 3.4 kHz. A programmable sidetone with a range from mute to unity gain is available for both headset and main audio paths. Sidetone should be muted for speakerphone use.

Note that certain carriers now require use of hearing-aid compatible transducers in a handset design. The Primary audio path can be interfaced directly to such devices. Refer to ANSI C63.19 for details regarding reduced RF emissions ("U3 rating") and inductive / telecoil coupling ("U3T" rating) devices.

**Table 4-4: Primary audio signal interface**

Signal	Pin #	Type	Directions	Description
MIC_P	1	Analog	Input	Non-inverted microphone input (+)
MIC_N	3	Analog	Input	Inverted microphone input (-)

**Table 4-4: Primary audio signal interface**

Signal	Pin #	Type	Directions	Description
SPK_P	5	Analog	Output	Non-inverted speaker output (+)
SPK_N	7	Analog	Output	Inverted speaker output (-)

**Table 4-5: PCM digital audio signal interface**

Signal	Pin #	Type	Directions	Description
PCM_CLK	45	Digital	Output	PCM clock
PCM_DIN	47	Digital	Input (internal pull-down)	PCM data in
PCM_DOUT	49	Digital	Output	PCM data out
PCM_SYNC	51	Digital	Input (internal pull-down)	PCM sync

### Audio function partitioning

These phone-oriented functions are usually under module control:

- FIR filters—both transmit and receive path
- Noise suppression—required due to high sensitivity and gain in transmit path
- Echo cancellation—different for each audio path and environment (handset, headset, car kit, speakerphone)
- High pass filtering / slope filtering functions—required per phone acoustic requirements
- AGC (Automatic Gain Control)—normalizes audio volumes in varying acoustic environments
- DTMF tones—the generation and detection of DTMF tones is required in both directions of the phone interface
- Comfort noise—low level noise injected into receiver path for user "connection" experience
- Simple ringers—digital and analog tones, melody ringers, MIDI with limited memory storage

These functions are typically performed in the host codec:

- Voice Memo—performed by the host if significant memory storage is required
- Polyphonic ringtone—host often supports WAV, MIDI formats with significant memory storage
- Audio path switching—turn on audio path depending on user interface selection, or headset detection

- Audio path mixing—required for voice memo recording and playback via multiple audio paths
- Transducer interface—host provides acoustic drivers, must occur outside of path switching and mixing

These functions can be performed in either host or module codec, depending on balance of component selection and engineering resources:

- Volume settings—adjustable gain settings based on user interface selections
- Sidetone—careful placement of sidetone gain control is required to prevent the need to adjust sidetone gain with varying volume settings



## 5: Host / Module Interfaces

This chapter provides information about specific host interface pin assignments, the host-module communication interface (USB interface), LED outputs, USIM interface, and lists extended AT commands that may be useful for hardware integration testing.

### Host interface pin details

*Note: On any given interface (USB, USIM, etc.) leave unused inputs and outputs as no-connects.*

Detailed connector pin information is available in the product specification documents for each module—refer to these documents when integrating modules into your host devices.

The following are specific integration considerations relating to the host interface connector pins:

- On any given interface (USB, USIM, etc.), leave unused inputs and outputs as no-connects.
- [Table 5-1](#) describes MC8775V / MC8785V / MC8790V / MC8791V / MC8792V-specific pins that are rated for 2.6 V. Reference these pins to the MSM\_2.6 V rail (pin 11) as the maximum limit.

**Table 5-1: MC8775V / MC8785V / MC8790V / MC8791V / MC8792V 2.6 V connector pins<sup>a</sup>**

Pin	Signal name	Description
1	MIC_P	Microphone Positive
3	MIC_N	Microphone Negative
6	GPIO_1	General Purpose I/O <sup>b</sup>
16	GPIO_2	General Purpose I/O <sup>a</sup>
22	AUXV1	Auxiliary Voltage 1
28	GPIO_3	General Purpose I/O <sup>a</sup>
33	MDL_RESET_N	Reset
44	GPIO_4	General Purpose I/O <sup>a</sup>
45	CTS1 / PCM_CLK	UART Clear To Send or PCM Clock

**Table 5-1: MC8775V / MC8785V / MC8790V / MC8791V / MC8792V 2.6 V connector pins<sup>a</sup> (Continued)**

Pin	Signal name	Description
46	GPIO_5	General Purpose I/O <sup>a</sup>
47	RTS1 / PCM_DIN	UART Request To Send <i>or</i> PCM Data In
48	GPIO_6	General Purpose I/O <sup>a</sup>
49	RXD1 / PCM_DOUT	UART Receive Data <i>or</i> PCM Data Out
51	TXD1 / PCM_SYNC	UART Transmit Data <i>or</i> PCM Sync

- a. This table is abstracted from the PSD—the PSD takes precedence
- b. No defined function—reserved for future use

## USB interface

The USB interface is the *only* path for communication between the host and module.

The interface complies with the *Universal Serial Bus Specification, Rev 2.0*.

Features of the USB interface include:

- Support for the *full-speed* (12 Mbps) data rate
- (MC8785V/MC8790/MC8790V/MC8791V/MC8792V) Support for the *high-speed* (480 Mbps) data rate
- Transfer of general, phone diagnostic, and over-the-air data between the module and the host
- Enumeration of the module as a set of Modem (MC57xx) or COM (MC57xx and MC87xx) ports, using host Windows drivers
- Enumeration of the module as a set of /dev/ttyUSB $n$  devices for Linux systems with the Sierra Wireless driver installed
- USB-compliant transceivers

## USB handshaking

---

*Note: If you are using the Windows or Linux drivers provided by Sierra Wireless, you can skip this section — it is intended for developers who are creating their own USB drivers.*

---

The host must act as a USB host device to interface with the module.

The module uses the USB standard Suspend and Resume functions (described further) to control the sleep and wakeup states. For detailed specifications of Resume and Suspend, refer to *Universal Serial Bus Specification, Rev 2.0*.

### Suspending

The module supports USB Suspend mode.

When the module enters suspend mode, it shuts down the USB clock to save power.

While in the suspend state:

- The module provides power to the D+/- interface to signal its current state to the host device.
- The host must maintain the VCC\_3V3 voltage.

Refer to *Universal Serial Bus Specification, Rev 2.0* for critical timing parameters for the suspend state.

### Resume

USB activity may be resumed by either the USB host or by the module.

If the host initiates USB activity:

1. The USB transceiver detects the change in bus activity and triggers the USB\_RESUME interrupt to the module's processor.
2. The module then enables its USB clock and responds to the host.

If the module initiates USB communication (Remote Wakeup):

1. The module enables its USB clock.
2. The module enables the USB transceiver.
3. The module sends the resume signal for at least 20 ms.

Refer to *Universal Serial Bus Specification, Rev 2.0* for critical timing parameters for the resume state.

### Host USB driver requirements

The USB driver on the host device must meet these critical requirements:

- The host USB driver must support remote wakeup, resume, and suspend operations as described in *Universal Serial Bus Specification, Rev 2.0*.
- The host USB driver must support serial port emulation. The module implements both 27.010 multiplexing and USB-CDC.
- When the host doesn't have any valid data to send, the host USB driver should NOT send any SOF tokens (start-of-

frames) to the module. These tokens keep the module awake and cause unnecessary power consumption.

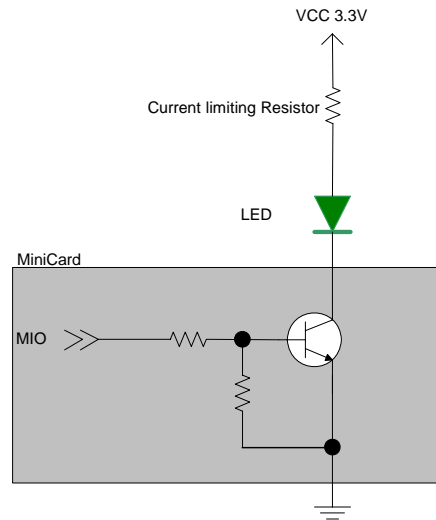
### LED output

The module drives the LED output according to the *PCI-Express Mini Card specification* (summarized in [Table 5-2](#), below).

**Table 5-2: LED states**

State	Indicates	Characteristics
<b>Off</b>	Module is not powered.	Light is off.
<b>On</b>	Module is powered and connected, but not transmitting or receiving.	Light is on.
<b>Slow blink</b>	Module is powered and searching for a connection.	LED is flashing at a steady, slow rate. <ul style="list-style-type: none"> <li>• 250 ms ± 25% ON period</li> <li>• 0.2 Hz ± 25% blink rate</li> </ul>
<b>Faster blink</b>	Module is transmitting or receiving.	LED is flashing at a steady, faster rate. <ul style="list-style-type: none"> <li>• Approximately 3 Hz blink rate</li> </ul> <hr/> <p><i>Note: MC572x modules support customer-defined LED controls.</i></p> <hr/>



**Figure 5-1: Example LED**

## USIM interface

*Note: This section applies only to GSM (MC87xx) modules.*

The module is designed to support one USIM (Universal Subscriber Identity Module). The USIM holds account information, allowing users to use their account on multiple devices.

The USIM interface has four signals (plus Ground). These are defined in [Table 5-3](#) with an example circuit shown in [Figure 5-2](#). (For USIM card contacts, see [Figure 5-3](#).)

**Table 5-3: USIM pins**

Pin name	USIM contact number	Function
XIM_VCC	1	USIM VCC
XIM_RESET	2	Active low USIM reset
XIM_CLK	3	Serial clock for USIM data
XIM_DATA	7	Bi-directional USIM data line
XIM_GND	5	Ground

Figure 5-2: USIM application interface

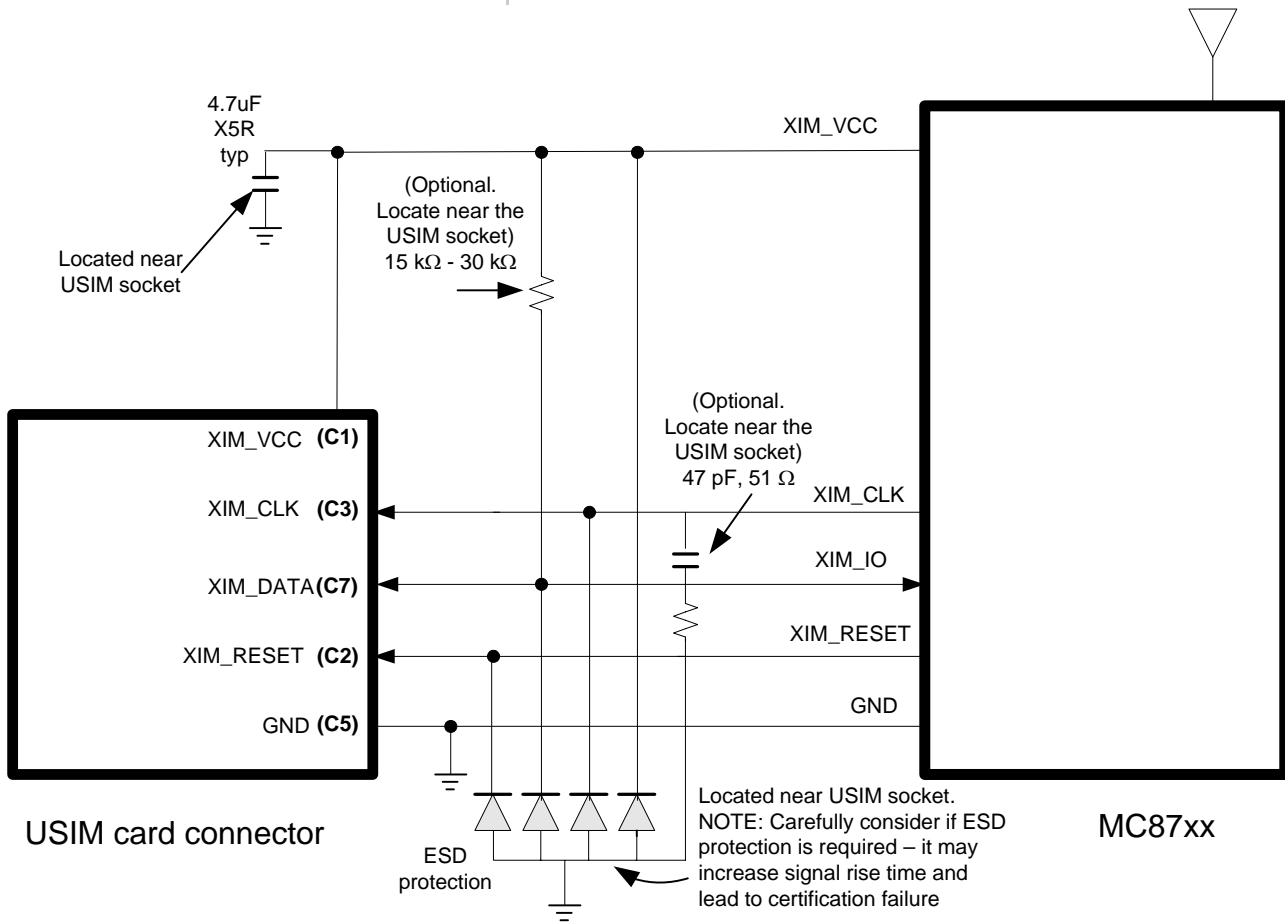
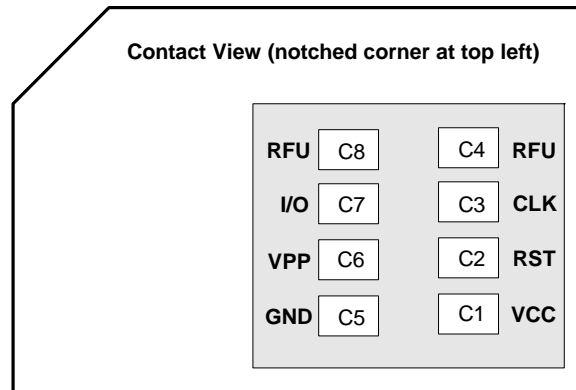


Figure 5-3: USIM card contacts (contact view)



## USIM operation

*Note: For interface design requirements, refer to: (2G) 3GPP TS 51.010-1, section 27.17, or (3G) ETSI TS 102 230 V5.5.0, section 5.2*

When designing the remote USIM interface, you *must* make sure that the USIM signal integrity is not compromised. Some design recommendations include:

- The total impedance of the VCC and GND connections to the USIM, measured at the module connector, should be less than  $1\ \Omega$  to minimize voltage drop (includes any trace impedance and lumped element components — inductors, filters, etc.).

*Note: The MC87xx is designed for use with either a 1.8 V or 3 V USIM.*

- Position the USIM connector no more than 10 cm from the module. If a longer distance is required because of the design of the host device, a shielded wire assembly is recommended — connect one end as close as possible to the USIM connector and the other end as close as possible to the module connector. The shielded assembly may help shield the USIM interface from system noise.
- Reduce crosstalk on the XIM\_data line to reduce the risk of failures during GCF approval testing.
- Avoid routing the XIM\_CLK and XIM\_DATA lines in parallel over distances greater than 2 cm — cross-coupling of these lines can cause failures.
- Keep USIM signals as short as possible, and keep very low capacitance traces on the XIM\_DATA and XIM\_CLK signals to minimize signal rise time — signal rise time must be  $<1\ \mu\text{s}$ . High capacitance increases signal rise time, potentially causing your device to fail certification tests.
- Add external pull-up resistors ( $15\ \text{k}\Omega$  —  $30\ \text{k}\Omega$ ), if required, between the SIM\_IO and SIM\_VCC lines to optimize the signal rise time.
- 3GPP has stringent requirements for I/O rise time ( $<1\ \mu\text{s}$ ), signal level limits, and noise immunity — consider this carefully when developing your PCB layout.
- The VCC line should be decoupled close to the USIM socket.
- USIM is specified to run up to 5 MHz (USIM clock rate). Take note of this speed in the placement and routing of the USIM signals and connectors.
- You must decide if, **and how much**, additional ESD protection and series resistors are suitable for your product. The MC87xx already includes additional ESD protection. Adding more protection (additional circuits) than is

- necessary could decrease signal rise time, increase load impedance, and cause USIM certification failure.
- Putting an optional decoupling capacitor at XIM\_VCC near the USIM socket is recommended—the longer the trace length (impedance) from the socket to the module, the greater the capacitance requirement to meet compliance tests.
- Putting an optional series capacitor and resistor termination (to ground) at XIM\_CLK at the USIM socket to reduce EMI and increase signal integrity is recommended if the trace length between the USIM socket and module is long—47 pF and 50 Ω resistor are recommended.
- Protect the USIM socket to make sure that the USIM cannot be removed while the module / host device is powered up. For example, you could place the socket under the battery (for portable devices); consider similar options for other device types.
- Test your first prototype host hardware with a Comprion IT<sup>3</sup> USIM test device at a suitable testing facility.

## Extended AT commands

Several proprietary AT commands are available for the MC57xx and MC87xx to use in hardware integration design and testing (these commands are *NOT* intended for use by end users). Refer to *CDMA Extended AT Command Reference (Document 2130621)* for the MC57xx, or *MC87xx Modem Extended AT Command Reference (Document 2130616)* for the MC87xx for a list of all available commands and descriptions of their functionality.

Some useful commands for use in hardware integration are listed in [Table 5-4](#) (MC57xx) and [Table 5-5](#) (MC87xx).

**Table 5-4: MC57xx Extended AT commands**

Command	Description
<b>Internal commands</b>	
!OEM	Unlocks OEM protected commands
<b>Modem state commands</b>	
!DIAG	Sets diagnostic mode
!BOOTHOLD	Resets modem and waits in boot loader
<b>RF AT commands</b>	
!CHAN	Sets RF band and channel

**Table 5-4: MC57xx Extended AT commands (Continued)**

Command	Description
!RX	Turns on / off the first receiver
!RX2	Turns on / off the second receiver
!RXAGC	Reads Rx AGC
!RX2AGC	Reads second Rx AGC
!TX	Enables Tx chain
!TXAGC	Sets Tx AGC
!KEYON	Turns on transmitter
!KEYOFF	Turns off transmitter
!ALLUP	Turns on transmitter in all ups condition
<b>Provisioning commands</b>	
!CARRIERID	Displays the carrier ID
<b>CDMA commands</b>	
!STATUS	Displays the status of the modem
!SCI	Gets slot cycle index
<b>Power control commands</b>	
!PCSTATE	Power control state
!PCINFO	Reads the power control information
!PCTEMP	Reads the power control temperature
!PCVOLT	Reads the power control voltage

**Table 5-5: MC87xx Extended AT commands**

Command	Description
<b>Password commands</b>	
!ENTERCND	Enables access to password-protected commands
!SETCND	Sets AT command password

**Table 5-5: MC87xx Extended AT commands (Continued)**

Command	Description
<b>Modem reset and status commands</b>	
<b>!DTEMP</b>	Returns the temperature of the PA (Power Amplifier) used by the: <ul style="list-style-type: none"> <li>• UMTS transceiver, or</li> <li>• GSM transceiver</li> </ul>
<b>!GRESET</b>	Resets the modem
<b>!GSTATUS</b>	Returns the operation status of the modem (mode, band, channel, and so on)
<b>Diagnostic commands</b>	
<b>!BAND</b>	Selects a set of frequency bands or reports current selection
<b>!GBAND</b>	Reads / sets the current operating band
<b>Test commands</b>	
<b>!DAFTMACT</b> <i>(password protected)</i>	Puts the modem into FTM (Factory Test Mode)
<b>!DAFTMDEACT</b> <i>(password-protected)</i>	Puts the modem into online mode
<b>!DAGGRSSI</b> <i>(password-protected)</i>	Returns the RSSI (Received Signal Strength Indicator) in dBm (GSM mode)
<b>!DAGGRSSIRAW</b> <i>(password-protected)</i>	Returns the raw RSSI (GSM mode)
<b>!DAGSLOCK</b> <i>(password-protected)</i>	Returns the RF synthesizer lock state
<b>!DAGSRXBURST</b> <i>(password-protected)</i>	Sets the GSM receiver to burst mode
<b>!DAGSRXCONT</b> <i>(password-protected)</i>	Sets the GSM receiver continually on
<b>!DAGSTXFRAME</b> <i>(password-protected)</i>	Sets the GSM Tx frame structure
<b>!DASBAND</b> <i>(password-protected)</i>	Sets the frequency band (UMTS / GSM)
<b>!DASCHAN</b> <i>(password-protected)</i>	Sets the modem channel (frequency) (UMTS / GSM)
<b>!DASLNAGAIN</b> <i>(password-protected)</i>	Sets the LNA (Low Noise Amplifier) gain state
<b>!DASPDM</b> <i>(password-protected)</i>	Sets the PDM (Pulse Duration Modulation) value

Table 5-5: MC87xx Extended AT commands (Continued)

Command	Description
<b>!DASTXOFF</b> <i>(password-protected)</i>	Turns off the Tx PA (Power Amplifier)
<b>!DASTXON</b> <i>(password-protected)</i>	Turns on the Tx PA (Power Amplifier)
<b>!DAWGRXAGC</b> <i>(password-protected)</i>	Returns the Rx AGC (Automatic Gain Control) value (UMTS)
<b>!DAWSCONFIGRX</b> <i>(password-protected)</i>	Sets the UMTS receiver to factory calibration settings
<b>!DAWGCTON</b> <i>(password-protected)</i>	Returns the Carrier to Noise ratio (WCDMA)
<b>!DAWSPARANGE</b> <i>(password-protected)</i>	Sets the PA range state machine (UMTS)
<b>!DAWSTXCW</b> <i>(password-protected)</i>	Sets the waveform used by the transmitter (UMTS)
<b>!OSDSM</b> <i>(password-protected)</i>	Displays memory usage for DSM (Distributed Shared Memory) buffer pools





## 6: Thermal Considerations

This chapter describes the thermal characteristics of the module and provides suggestions for testing and addressing thermal issues.

### Thermal considerations

Mini Cards can generate significant amounts of heat that must be dissipated in the host device for safety and performance reasons.

The amount of thermal dissipation required depends on the following factors:

- Supply voltage — Maximum power dissipation for these modules can be up to 3.1 W at voltage supply limits.
- Usage — Typical power dissipation values depend on the location within the host, amount of data transferred, etc.

Specific areas requiring heat dissipation include the four shield cases indicated in [Figure 6-1](#).

- Transmitter—top shield (next to RF connectors). This is likely to be the hottest area.
- Baseband 1—bottom shield, below the transmitter
- Receiver—top shield, other side of module from the transmitter
- Baseband 2—bottom shield, below the receiver

You can enhance heat dissipation by:

- Maximizing airflow over / around the module
- Locating the module away from other hot components

---

*Note: Adequate dissipation of heat is necessary to ensure that the module functions properly, and to comply with the thermal requirements in PCI Express Mini Card Electromechanical Specification Revision 1.1.*

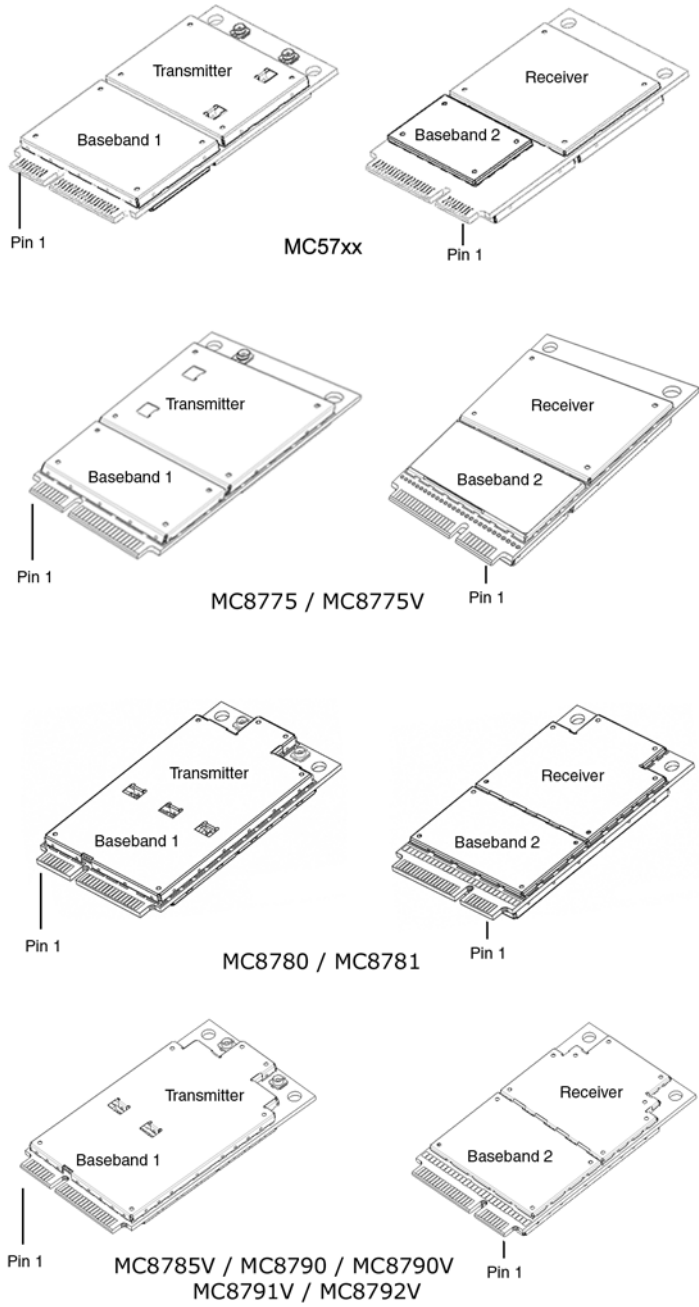
---

### Module testing

When testing your integration design:

- Test to your worst case operating environment conditions (temperature and voltage)
- Test using worst case operation (transmitter on 100% duty cycle, maximum power)
- Monitor temperature at all shield locations. Attach thermocouples to each shield indicated below

**Figure 6-1: Shield locations**



---

*Note: Make sure that your system design provides sufficient cooling for the module. The RF shield temperature should be kept below 90 °C when integrated to prevent damage to the module's components.*

---

## 7: Design Checklist

This chapter provides a summary of the design considerations mentioned throughout this guide. This includes items relating to the power interface, RF integration, thermal considerations, cabling issues, and so on.

*Note: This is NOT an exhaustive list of design considerations. It is expected that you will employ good design practices and engineering principles in your integration.*

**Table 7-1: Hardware integration design considerations**

Suggestion	Section where discussed
<b>Component placement</b>	
Protect the USIM socket so that the USIM cannot be removed while the host is powered up.	<a href="#">USIM operation page 67</a>
If an ESD suppressor is not used, allow space on the USIM connector for series resistors in layout (up to 100 $\Omega$ may be used depending on ESD testing requirements).	<a href="#">USIM operation page 67</a>
Minimize RF cable losses as these affect the performance values listed in the product specification document.	<a href="#">RF connection page 39</a>
<b>Antennas</b>	
Match the module / antenna coax connections to 50 $\Omega$ — mismatched antenna impedance and cable loss negatively affects RF performance.	<a href="#">RF connection page 39</a>
If installing both the MC57xx and MC87xx in the same device, consider using separate antennas for maximum performance.	<a href="#">Antenna and cabling page 40</a>
<b>Power</b>	
Limit host power rail dips caused by module inrush current by adding sufficient capacitance to the host power rail.	<a href="#">Inrush currents page 24</a>
Make sure the power supply can handle the maximum current specified for the module type.	<a href="#">Current consumption overview page 27</a>
Limit the total impedance of VCC and GND connections to the USIM at the connector to less than 1 $\Omega$ (including any trace impedance and lumped element components — inductors, filters, etc.). All other lines must have a trace impedance less than 2 $\Omega$ .	<a href="#">USIM operation page 67</a>

**Table 7-1: Hardware integration design considerations (Continued)**

Suggestion	Section where discussed
Decouple the VCC line close to the USIM socket. The longer the trace length (impedance) from socket to module, the greater the capacitance requirement to meet compliance tests.	<a href="#">USIM operation page 67</a>
<b>EMI / ESD</b>	
Investigate sources of localized interference early in the design cycle.	<a href="#">Methods to mitigate decreased Rx performance page 42</a>
Provide ESD protection for the USIM connector at the exposed contact point (in particular, the CLK, VCC, IO, and RESET lines).	<a href="#">USIM operation page 67</a>
Keep very low capacitance traces on the XIM_DATA and XIM_CLK signals.	
To minimize noise leakage, establish a very good ground connection between the module and host.	<a href="#">Ground connection page 39</a>
Route cables away from noise sources (for example, power supplies, LCD assemblies, etc.).	<a href="#">Methods to mitigate decreased Rx performance page 42</a>
Shield high RF-emitting components of the host device (for example, main processor, parallel bus, etc.).	<a href="#">Methods to mitigate decreased Rx performance page 42</a>
Use discrete filtering on low frequency lines to filter out unwanted high-order harmonic energy.	<a href="#">Methods to mitigate decreased Rx performance page 42</a>
Use multi-layer PCBs to form shielding layers around high-speed clock traces.	<a href="#">Methods to mitigate decreased Rx performance page 42</a>
<b>Thermal</b>	
Test to worst case operating conditions — temperature, voltage, and operation mode (transmitter on 100% duty cycle, maximum power).	<a href="#">Thermal considerations page 73</a>
Use appropriate techniques to reduce module temperatures. (airflow, heat sinks, heat-relief tape, module placement, etc.)	<a href="#">Thermal considerations page 73</a>
<b>Host / Modem communication</b>	
Make sure the host USB driver supports remote wakeup, resume, and suspend operations, and serial port emulation.	<a href="#">USB handshaking page 62</a>
When no valid data is being sent, do not send SOF tokens from the host (causes unnecessary power consumption).	<a href="#">USB handshaking page 62</a>

## >> 8: Testing

*Note: All Sierra Wireless embedded modules are factory-tested to ensure they conform to published product specifications.*

Developers of OEM devices integrating Sierra Wireless modules should include a series of test phases in their manufacturing process to make sure that *their* devices work properly with the embedded modules.

Suggested phases include:

- **Acceptance testing**—testing of modules when they are received from Sierra Wireless
- **Certification testing**—testing of completed devices to obtain required certifications before beginning mass production
- **Production testing**—testing of completed devices with the modules embedded
- **Quality assurance testing**—post-production

### AT command entry timing requirement

Some commands require time to process before additional commands are entered. For example, the modem will return “OK” when it receives AT!DAFTMACT. If AT!DASBAND is received too soon after this, the modem will return an error.

When building automated test scripts, ensure that sufficient delays are embedded where necessary to avoid these errors.

### Acceptance testing

When you receive a shipment from Sierra Wireless, you should make sure it is suitable before beginning production.

From a random sampling of units, test that:

- The units are operational
- The units are loaded with the correct firmware version

### Test requirements

To perform the suggested tests, you require a test system in which to temporarily install the module, and you must be able to observe the test device’s LED indicator.

*Note: Acceptance testing is typically performed for **each** shipment received.*

---

*Note: You can perform these tests using appropriate AT commands.*

---

## Test procedure

The following is a suggested acceptance testing procedure using Sierra Wireless' Watcher software:

### Test 1: Check power-up and initialization

1. After installing the module, start the test system.
2. Launch Watcher.
3. Check the LED—if the LED is off, there is a problem with the module or with the connection to the LED.

### Test 2: Check version numbers

1. From Watcher, select **Help > About**.
2. Verify that the firmware version in the **About** window is correct.
3. Close the **About** window.

If the module fails either of these tests, or is not recognized by Watcher:

1. Replace the module with one that is known to work correctly and repeat the tests.
2. If the tests are successful, reinstall the original module and repeat the tests.

If the module still does not work correctly, contact your account manager.

## Certification testing

When you produce a host device with an embedded Sierra Wireless module, you must obtain certifications for the final product from appropriate regulatory bodies in the jurisdictions where it will be distributed.

---

*Note: The module itself (MC57xx, MC87xx) has been certified already—only the integrated device needs certification.*

---

The following are *some* of the regulatory bodies from which you may require certification—it is your responsibility to make sure that you obtain all necessary certifications for your product from these or other groups:

- FCC (Federal Communications Commission—[www.fcc.gov](http://www.fcc.gov))
- Industry Canada ([www.ic.gc.ca](http://www.ic.gc.ca))
- CSA (Canadian Standards Association—[www.csa.ca](http://www.csa.ca))
- Factory Mutual (FM Global—[www.allendale.com](http://www.allendale.com))

---

*Note: Typically, you need to pass certification testing of your device with the integrated module one time only.*

---

- Underwriters Laboratories Inc. ([www.ul.com](http://www.ul.com))
- (MC57xx only) CDG (CDMA Development Group—[www.cdg.org](http://www.cdg.org))
- (MC87xx only) GCF (Global Certification Forum—[gcf.gsm.org](http://gcf.gsm.org)) outside of North America
- (MC87xx only) PTCRB (PCS Type Certification Review Board—[www.ptcrb.com](http://www.ptcrb.com)) in North America

## Production testing

Each assembled device should be tested to make sure the module is installed correctly and is functioning within normal operating parameters.

---

*Note: Production testing typically continues for the life of the product.*

---



---

*Note: All Sierra Wireless embedded modules are fully factory-tested to ensure they conform to published product specifications.*

---

In general, production testing ensures that the module is installed correctly (I/O signals are passed between the host and module), and the antenna is connected and performing to specifications (RF tests).

Typical items to test include host connectivity, the RF assembly (Tx and/or Rx, as appropriate), and the audio assembly (for voice-enabled modules).

---

*Note: The amount and types of tests to perform are **your** decision—the tests listed in this section are guidelines only. Make sure that the tests you perform exercise functionality to the degree that **your** situation requires—this may include, for example, testing network availability, any host device configuration issues, baseband testing (GPIO / Audio, host / module connectors) and appropriate RF testing (Tx and/or Rx).*

---

Use an appropriate test station for your testing environment (see [Test requirements](#) on [page 77](#) for suggestions) and use AT commands to control the integrated module.

---

*Note: Your test location must be protected from ESD to avoid interference with the module and antenna(s) (assuming that your test computer is in a disassembled state).*

*Also, consider using an RF shielding box as shown in the suggested test equipment—local government regulations may prohibit unauthorized transmissions.*

---

## Suggested manual functional test procedure

This section presents a procedure for performing a basic manual functional test on a laboratory bench using the Mini Card and a Mini Card Dev Kit. When you have become familiar with the testing method, use it to develop your own automated production testing procedures.

### Suggested tests

Consider the following tests when you design your production test procedures for devices with the MC57xx and/or MC87xx installed.

- Visual check of the module's connectors, RF assemblies, and audio assemblies (if applicable)
- Module is operational
- USB connection is functional
- LED is functional
- W\_Disable# (module power down)
- Firmware revision check
- Rx tests on main and auxiliary paths
- Tx test
- Audio (microphone and speaker) tests (for voice-enabled modules)

### Suggested test plan procedure

---

*Note: The following is a suggested outline for a relatively comprehensive test plan—you must decide which tests are appropriate for your product.*

*This is **not** an exhaustive list of tests—you may wish to add additional tests that more fully exercise the capabilities of your product.*

*Note: You may choose to create and run a test program that automates portions of the test procedure.*


---

Using an appropriate Dev Kit-based test station (a suggested setup is described in [Suggested testing equipment](#) on [page 97](#)), and referring to the appropriate standard and extended AT command references:

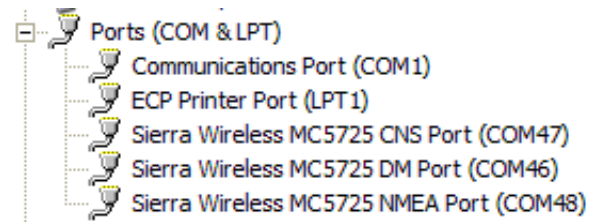
1. Visually inspect the module's connectors and RF assemblies for obvious defects before installing it in the test station.



*Note: To power-off the module, drive W\_Disable# low for the required minimum period. See [State change: Power off / on](#) on [page 23](#) for details.*

2. Ensure that the module is turned off before beginning your tests (set W\_Disable# low).
3. If using Linux, determine if any USB devices are currently connected to the computer:
  - a. Open a shell window and enter the command **ls /dev/tty/USB\***.
  - b. Record the ttyUSB $n$  values that are returned; these are the currently connected USB devices. If the command returns “no such file or directory”, there are no devices currently connected.
4. Test W\_Disable#—Turn on the module by letting W\_Disable# float (high impedance). Depending on your device, this may just require powering up the device. Refer to the *PCI Express Mini Card Dev Kit Quick Start Guide (Document 2130705)* for more details.
5. Test USB functionality—Check for USB enumeration.
  - (Windows systems) The Device Manager shows Sierra Wireless items under the Ports - (COM & LPT) entry. The devices shown depend on the module type. For example:
    - **MC87xx**


Ports (COM & LPT)

      - Printer Port (LPT1)
      - Sierra Wireless AT Command Port (UMTS) (COM61)
      - Sierra Wireless CNS Port (UMTS) (COM62)
      - Sierra Wireless Data Port (UMTS) (COM63)
      - Sierra Wireless DM Port (UMTS) (COM64)
    - **MC57xx**


Ports (COM & LPT)

      - Communications Port (COM1)
      - ECP Printer Port (LPT1)
      - Sierra Wireless MC5725 CNS Port (COM47)
      - Sierra Wireless MC5725 DM Port (COM46)
      - Sierra Wireless MC5725 NMEA Port (COM48)
  - (Linux systems) Enter the command **ls /dev/tty/USB\*** and then record and compare the results with those from Step 3. If there are any new ttyUSB $n$  devices, then the modem has enumerated successfully. (There should be three or seven new devices, depending on the module type.) For example:

- MC5725/MC5725V/MC8775/MC8775V/MC8780/MC8781 (with no other USB devices connected):

```

C:\ Telnet 00.0.00.00
xxxx@C-Linuxdev2:~$ ls /dev/ttyUSB*
/dev/ttyUSB0 /dev/ttyUSB1 /dev/ttyUSB2
xxxx@C-Linuxdev2:~$
    
```

(The AT port is the third new enumerated device — /dev/ttyUSB2.)

- MC5727/MC5727V/MC5728V/MC8785V/MC8790/MC8790V/MC8791V/MC8792V (with one other USB device already connected and assigned to ttyUSB1):

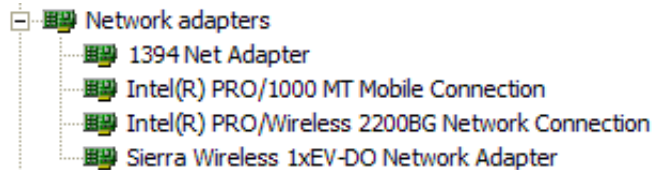
```

C:\ Telnet 00.0.00.00
xxxx@C-Linuxdev2:~$ ls /dev/ttyUSB*
/dev/ttyUSB0 /dev/ttyUSB2 /dev/ttyUSB4 /dev/ttyUSB6
/dev/ttyUSB1 /dev/ttyUSB3 /dev/ttyUSB5 /dev/ttyUSB7
xxxx@C-Linuxdev2:~$
    
```

(The AT port is the fourth *new* enumerated device — /dev/ttyUSB4.)

6. Some modules cause a Sierra Wireless Network Adapter to appear in Device Manager, as shown below. Disable the adapter to allow entry of AT commands when performing diagnostic tests.
  - a. Right-click the Sierra Wireless Network Adapter to display the context menu.
  - b. Click Disable.

**MC57xx**



7. Make sure your modem is connected and running, and then establish contact with the module:

(Windows systems)

Use a terminal emulation/communications program such as Microsoft HyperTerminal® to connect over the COM port reserved for AT commands (see listings in Step 5):

- a. Start HyperTerminal.
- b. On the File menu, select Connection Description. The Connection Description dialog box appears.

*Note: If necessary, use **AT E1** to enable echo.*

*Note: If the command “minicom” is not found, then use a different program, or download minicom and repeat this step. See “Downloading and configuring minicom for Linux systems” on page 84 for details.*

- c. Type “Sierra” in the Name box and click OK. The Connect To dialog box appears.
- d. Click OK without changing any of the displayed information. The Connect dialog box appears.
- e. Click Cancel.
- f. Type ATZ in the HyperTerminal window. If the connection is established, the message OK appears.

(Linux systems)

Use a terminal emulation/communications program such as minicom to connect over the device handle for AT commands (see listings in Step 5):

- a. Start minicom:
  - First use of the modem: From the command line, type minicom -s. -- always shows configuration menu
  - Subsequent uses: From the command line, type minicom.

The minicom configuration details appear and the message OK appears when the connection is established.

```

c:\ Telnet 00.0.00.00
Welcome to minicom 2.2
OPTIONS: I18n
Compiled on Apr 27 2007, 15:50:20.
Port /dev/ttyUSB2

Press CTRL-A Z for help on special keys

AT S7=45 S0=0 L1 U1 X4 &c1 E1 Q0
OK
CTRL-A Z for help !i15200 8N1 ! NOR ! Minicom 2.2 ! UT102 ! Offline
  
```

8. Display the firmware version using this command:
  - MC57xx: **AT+GMR**
  - MC87xx: **ATIGVER**

Example response:

  - p2005000,0 [Aug 09, 2006 14:28:24],, VID: PID: Characters 5–6 are the firmware version (50 in this example).
9. Test the LED—Set the LED in blinking mode using this command, then visually verify that the LED turns off and on:
  - MC57xx: **ATILED=0,1**
  - MC87xx: **ATIDLED** or **ATILEDCTRL**
10. Unlock the extended AT command set, using:
  - MC57xx: **ATIOEM=176**
  - MC87xx: **ATIINTERCND**

---

*Note: When performing RF tests, use a test platform similar to those shown in [Figure 8-2](#) (page 98) and [Figure 8-3](#) (page 99).*

---



---

*Note: The GPS receiver does not need to be tested for UMTS (MC878x) or CDMA (MC57xx) modules supporting diversity because RF connectivity is validated by testing the diversity receiver in Step 14.*

---



---

*Note: To power-off the module, drive W\_Disable# low for the required minimum period. See [State change: Power off / on](#) on page 23 for details.*

---



---

*Note: To install minicom, you must have root access, or be included in the sudoers list.*

---

11. Put the module in diagnostic / factory test mode using:
  - MC57xx: **ATIDIAG**
  - MC87xx: **ATIDAFTMACT**
12. (MC87xx only) Communicate with the USIM using **+CPIN** or **+CIMI**.
13. Test RF transmission, if desired:
  - MC57xx—See [Testing RF transmission path—MC57xx](#) on page 85.
  - MC87xx—See [Testing RF transmission path—MC87xx](#) on page 86.
14. Test RF reception, if desired:
  - MC57xx—See [Testing RF Receive path—MC57xx](#) on page 88.
  - MC87xx— See [Testing RF Receive path—MC87xx](#) on page 90.
15. (MC8775V only) Test the GPS receiver, if desired. See [Testing GPS Receiver—MC8775V](#) on page 93.
16. Test Audio loop-back. See [Test Audio Loop-back—MC5725V / MC5727V / MC5728V / MC8775V / MC8785V / MC8790V / MC8791V / MC8792V](#) on page 94.
17. Finish testing
  - a. If the network adapter was disabled in Step 6, re-enable it (same instructions, except click Enable instead of Disable).
  - b. Set the W\_Disable# signal low and confirm that the module powers down:
    - Windows systems — The Sierra Wireless items under the Ports (COM & LPT) entry in Device Manager disappear as the module powers off.
    - Linux systems — Enter the command **ls /dev/tty/USB\***. The devices enumerated in Step 5 will not appear after the module powers off.

### Downloading and configuring minicom for Linux systems

---

*Note: This procedure is for Ubuntu systems. If you are using a different Linux distribution, use the appropriate commands for your system to download minicom.*

---

To download and configure minicom in a Ubuntu system:

1. Download and install minicom — enter the following command:
 

```
sudo apt-get install minicom
```

2. When prompted, enter your user password to begin the download and installation. When minicom is installed, the shell prompt appears.
3. Configure minicom to communicate with your modem:
  - a. Start minicom with the following command:
 

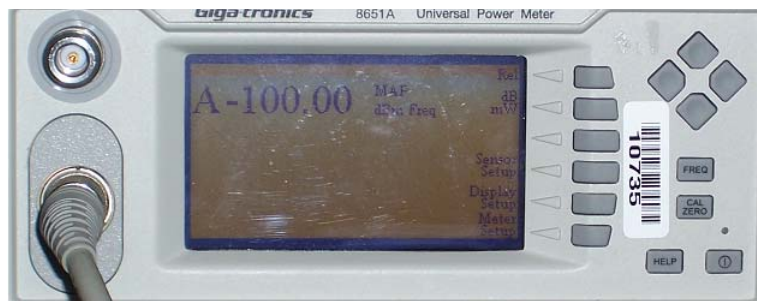
```
minicom -s
```
4. Use the down-arrow key to select the “Serial port setup” option.
5. Refer to [Step 5 on page 81](#) to identify the device file handle (/dev/ttyUSBn) to use for AT commands.
6. Indicate the file handle to use for AT commands — enter **A** and then replace the serial device string with the AT file handle (for example, /dev/ttyUSB4 for an MC8792V as shown in the example in [Step 5 on page 81](#)).
7. Press Enter twice.
8. Use the down-arrow key to select **Save setup as dfl**.
9. Select **Exit**.

## Testing RF transmission path—MC57xx

*Note: This procedure segment is performed in Step 13 of the [Suggested test plan procedure \(page 84\)](#).*

To test the DUT’s transmitter path:

1. Set up the power meter:



- a. Make sure the meter has been given sufficient time to warm up, if necessary, to enable it to take accurate measurements.
- b. Zero-calibrate the meter.
- c. Enable MAP mode.

*Note: This procedure describes steps using the "Power Meter: Gigatronics 8651A" (with Option 12 and Power Sensor 80701A).*

*Note: These AT commands generate a modulated test signal.*

2. Prepare the DUT using the following AT commands:
  - a. **AT!OEM=176** (Unlocks the extended AT command set)
  - b. **AT!DIAG** (Set modem in diagnostic mode)
  - c. **AT!CHAN=600,1** (PCS band, channel 600)  
or  
**AT!CHAN=384,0** (Cellular band, channel 384)  
The power meter should read -100 dBm, indicating no signal.
  - d. **AT!TX=1** (Turns on transmitter)
  - e. **AT!ALLUP=1** (Enables all ups condition)  
The power meter should read from 0–24 dBm, depending on your setup.
  - f. **AT!TX=0** (Turns off transmitter)
3. Test limits:

Run ten or more good DUTs through this test procedure to obtain a nominal output power value.

- Apply a tolerance of  $\pm 5$  to 6 dB to each measurement (assuming a good setup design).
- Monitor these limits during mass-production ramp-up to determine if further adjustments are needed.

*Note: The MC57xx has a nominal output power of +24 dBm  $\pm 1$  dB. However, the value measured by the power meter depends on the test setup (RF cable loss, couplers, splitters) and the DUT design.*

*Note: When doing the same test over the air in an RF chamber, values are likely to be significantly lower.*

## Testing RF transmission path—MC87xx

*Note: This procedure segment is performed in Step 13 of the Suggested test plan procedure (page 84).*

Table 8-1 contains parameters used in the suggested test procedure that follows.

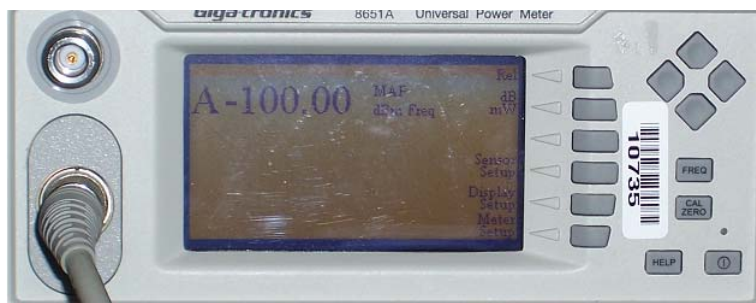
**Table 8-1: Test settings for MC87xx transmission path testing**

Mode	Test category	Bands				
		850	900	1800	1900	2100
WCDMA	Band	22	29		15	9
	Channel	4182	2812		9400	9750
GSM	Band	18	10	11	12	
	Channel	190	65	697	661	

*Note: This procedure describes steps using the "Power Meter: Gigatronics 8651A" (with Option 12 and Power Sensor 80701A).*

To test the DUT's transmitter path:

1. Set up the power meter:



- a. Make sure the meter has been given sufficient time to warm up, if necessary, to enable it to take accurate measurements.
  - b. Zero-calibrate the meter.
  - c. Enable MAP mode.
2. Prepare the DUT using the following AT commands:
    - a. **AT!UNLOCK=<lockCode>** (Unlocks extended AT command set)  
or  
**AT!ENTERCND**
    - b. **AT!DAFTMACT** (Enters test mode)
    - c. **AT!DASBAND=<bandValue>**  
• See [Table 8-1](#) for appropriate <bandValue> values
    - d. **AT!DASCHAN=<channel>**  
• See [Table 8-1](#) for appropriate <channel> values
    - e. (GSM mode only)  
**AT!DAGSTXFRAME=0, 1, 3000, 0**
    - f. **AT!DASTXON** (Turns on the transmit path)
    - g. (WCDMA mode only)  
**AT!DAWSTXCW=0** (Use a modulated carrier)



- h.** (WCDMA mode only)  
**ATIDASPDM=2, 455** (Set the power level, tunable from 0 to 511)
- i.** (WCDMA mode only)  
**ATIDAWSPARANGE=3**(Set to high PA gain state)
- j.** Take the measurement.
- k.** **ATIDASTXOFF** (Turns off the transmitter)

**3.** Test limits:

Run ten or more good DUTs through this test procedure to obtain a nominal output power value.

- Apply a tolerance of  $\pm 5$  to 6 dB to each measurement (assuming a good setup design).
- Monitor these limits during mass-production ramp-up to determine if further adjustments are needed.
- For GSM mode, the transmit signal is bursted, so the transmit power will appear averaged on the power meter reading.

---

*Note: The MC87xx has a nominal output power of +23 dBm  $\pm 1$  dB in WCDMA mode. However, the value measured by the power meter is significantly influenced (beyond the stated  $\pm 1$  dB output power tolerance) by the test setup (host RF cabling loss, antenna efficiency and pattern, test antenna efficiency and pattern, and choice of shield box).*

---

---

*Note: When doing the same test over the air in an RF chamber, values are likely to be significantly lower.*

---

## Testing RF Receive path—MC57xx

---

*Note: This procedure segment is performed in Step 14 of the [Suggested test plan procedure \(page 84\)](#).*

---

To test the DUT's receive path:

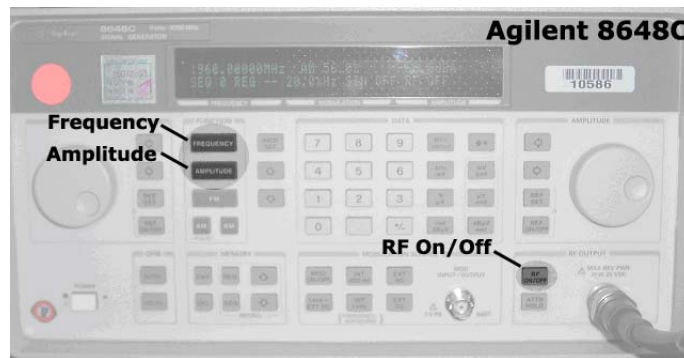


*Note: This procedure describes steps using the Agilent 8648C signal generator—the Rohde & Schwarz SML03 is shown for reference only.*

*Note: This example setup uses a 200 kHz offset from band center for testing using a continuous wave—you can use any appropriate baseband frequency offset (for example, 100 kHz, 300 kHz, etc.).*

*If using a modulated signal, set the frequency to band center with no offset.*

1. Set up the signal generator:



- Press the Frequency button to set the frequency to 1960.200 MHz for PCS band, Channel 600, or 881.720 MHz for Cellular band, Channel 384
  - Press the Amplitude button to set the amplitude to -55.0 dBm.
  - Press the RF ON/OFF button to enable or disable the RF port of the signal generator.
2. Read back the power level from the main receiver:
    - ATI<sub>OEM</sub>=176** (Unlocks the extended AT command set)
    - ATI<sub>DIAG</sub>** (Sets the modem in Diagnostic mode)
    - ATI<sub>CHAN</sub>=600,1** (PCS band, channel 600)  
or  
**ATI<sub>CHAN</sub>=384,0** (Cellular band, channel 384)
    - ATI<sub>RX</sub>=1** (Turns on the main receiver)
    - ATI<sub>RXAGC</sub>?** (Reads back the power level, in dBm, from the main receiver)  
Response examples:
      - RXAGC = 0xFFFFF33 = -77 dBm (when signal generator's RF port is OFF)
      - RXAGC = 0x0021 = -60 dBm (when signal generator's RF port is ON) typical

*Note: The dBm value displayed is calculated to reflect the power at the input connector.*

- ATI<sub>RX2</sub>=1** (Turns on diversity receiver)

**g. ATIRX2AGC?** (Reads back the power level, in dBm, from the diversity receiver)

Response examples:

- RX2AGC = 0xFFFFFFFF76 = -84 dBm (when signal generator's RF port is OFF)
- RX2AGC = 0xFFFFFFFFC6 = -69 dBm (when signal generator's RF port is ON) typical

**h. ATIRX=0** (Turns off main receiver)

**i. ATIRX2=0** (Turns off diversity receiver)

**3. Test limits**

Run ten or more good DUTs through this test procedure to obtain a nominal received power value.

- Apply a tolerance of  $\pm 5$  to 6 dB to each measurement (assuming a good setup design).
- Make sure the measurement is made at a high enough level that it is not influenced by DUT-generated and ambient noise.
- The Signal Generator power level should be at least -50 dBm.
- Monitor these limits during mass-production ramp-up to determine if further adjustments are needed.

---

*Note: The value measured by the DUT depends on the test setup and DUT design. Host RF cabling loss, antenna efficiency and pattern, test antenna efficiency and pattern, and choice of shield box all significantly influence the measurement.*

---



---

*Note: When doing the same test over the air in an RF chamber, values are likely to be significantly lower.*

---

## Testing RF Receive path—MC87xx

---

*Note: This procedure segment is performed in Step 14 of the Suggested test plan procedure (page 84).*

---

Table 8-2 contains parameters used in the suggested test procedure that follows.

**Table 8-2: Test settings for MC77xx Receive path testing**

Mode	Test category	Bands				
		850	900	1800	1900	2100
WCDMA	Frequency <sup>1</sup> (MHz)	882.60	948.60		1961.2	2141.2
	Band	22	29		15	9
	Channel	4182	2812		9400	9750
GSM	Frequency <sup>2</sup> (MHz)	881.667	948.067	1842.267	1960.067	
	Band	18	10	11	12	
	Channel	190	65	697	661	

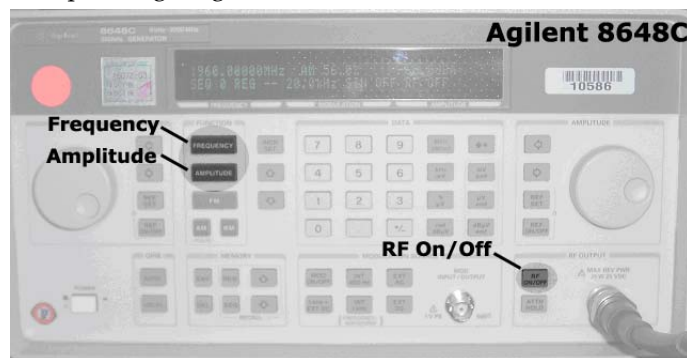
1 All values offset from actual center channel by +1.2 MHz

2 All values offset from actual center channel by +67 kHz

*Note: This procedure describes steps using the Agilent 8648C signal generator—the Rohde & Schwarz SML03 is shown for reference only.*

To test the DUT's receive path:

1. Set up the signal generator:



- a. Set the amplitude to:
    - -80 dBm (WCDMA mode)
    - -60 dBm (GSM mode)
  - b. Set the frequency for the band being tested. See [Table 8-2](#) for frequency values.
2. Set up the DUT:
    - a. `ATIUNLOCK=<customerCode>` or `ATIINTERCND`
    - b. `ATIDAFTMACT`
    - c. `ATIDASBAND=<band>`
      - See [Table 8-2](#) for <band> values
    - d. `ATIDASCHAN=<channel>`

- See [Table 8-2](#) for <channel> values

**e. ATIDASLNAGAIN=0** (sets the LNA to maximum gain)

**f.** (WCDMA mode)

**i. ATIDAWGAVGAGC=9400,0** (for PCS1900, channel 9400 as an example)

(GSM mode)

**i. ATIDAGSRXBURST=0** (set to receive bursted mode)

**ii. ATIDAGGAVGRSSI=190,0** (for channel 190, for example)

The returned value is the RSSI in dBm.

**3. Test limits:**

Run ten or more good DUTs through this test procedure to obtain a nominal received power value.

- Apply a tolerance of  $\pm 5$  to 6 dB to each measurement (assuming a good setup design).
- Make sure the measurement is made at a high enough level that it is not influenced by DUT-generated and ambient noise.
- The Signal Generator power level can be adjusted and new limits found if the radiated test needs greater signal strength.
- Monitor these limits during mass-production ramp-up to determine if further adjustments are needed.

---

*Note: The value measured from the DUT is significantly influenced by the test setup and DUT design (host RF cabling loss, antenna efficiency and pattern, test antenna efficiency and pattern, and choice of shield box).*

---



---

*Note: Diversity is not available in GSM mode.*

---



---

*Note: Setup of the DUT is the same as in [Step 2](#), except for a change to ATIDAWGAVGAGC and the addition of ATIDAWSSCHAIN.*

---

**4. Test diversity paths for the MC8780 (WCDMA 850 / WCDMA 2100), MC8781 (WCDMA 850 / WCDMA 1900), or MC8785V/MC8790/MC8790V (WCDMA 850 / WCDMA 1900 / WCDMA 2100):**

**a.** Set up the signal generator as in [Step 1](#).

**b.** Set up the DUT:

**i. AT!UNLOCK="<customerCode>"** or **AT!ENTERCND**

**ii. AT!DAFTMACT**

**iii. AT!DASBAND=<band>**

- See [Table 8-2](#) for <band> values

**iv. AT!DAWSSCHAIN=1** (enables the secondary chain)

**v. AT!DASCHAN=<channel>**

- See [Table 8-2](#) for <channel> values

**vi. ATIDASLNAGAIN=0** (sets the LNA to maximum gain)

- vii. **AT!DAWGAVGAGC=9400,0,1** (the '1' indicates the diversity path is used)
- c. Test the limits as in [Step 3](#).

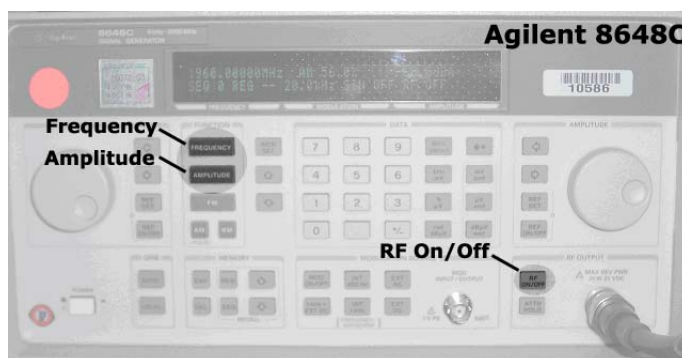
## Testing GPS Receiver—MC8775V

*Note: The GPS receiver does not need to be tested for UMTS (MC878x) or CDMA (MC57xx) modules supporting diversity because RF connectivity is validated by testing the diversity receiver in [Step 14](#) of the [Suggested test plan procedure \(page 84\)](#).*

*Note: This procedure segment is performed in [Step 15](#) of the [Suggested test plan procedure \(page 84\)](#).*

To test the carrier-to-noise level for the GPS receive path:

1. Set up the signal generator:



- a. Set the amplitude to -110 dBm.
- b. Set the frequency to 1575.52 MHz. This is 100 kHz above the center frequency for GPS and is needed to accurately measure the carrier-to-noise (C/N) level.
2. Set up the DUT using the following commands:
  - a. **AT!UNLOCK=<customerCode>**
  - b. **AT!DAFTMACT** (Puts modem into factory test mode)
  - c. **AT!DAAGCTON** (Queries power difference between carrier signal and receiver)
3. Test limits:

*Note: This procedure describes steps using the Agilent 8648C signal generator—the Rohde & Schwarz SML03 is shown for reference only.*

Run ten or more good DUTs through this test procedure to obtain averaged C/N readings.

- The GPS receiver responds to signal levels from -130 dBm to -80 dBm.
- Measure C/N five times for each DUT to obtain an average reading at -110 dB.
- Make sure the C/N is less than 15 dB when the signal generator is off.
- Allow for  $\pm 5$  dB of C/N variation to identify any problems in the GPS receive path.

### Test Audio Loop-back—MC5725V / MC5727V / MC5728V / MC8775V / MC8785V / MC8790V / MC8791V / MC8792V

*Note: This procedure segment is performed in Step 16 of the Suggested test plan procedure (page 84).*

The microphone and speaker audio paths for voice-enable modules can be tested by using an audio quantity that is suited to identify known assembly issues, and applying limits to detect any problems.

To test the audio paths:

1. Set up the audio analyzer to generate a constant tone:

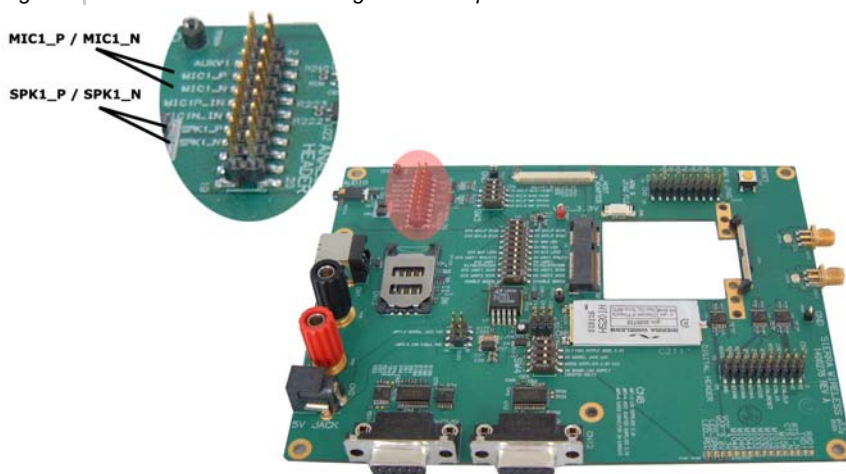
*Note: This procedure describes steps using the Keithley Audio Analyzing DMM, 2016-P.*



- a. Connect a BNC cable to the “Source Output” port at the rear panel.
- b. Press the Source button on the front panel to set the generator to:
  - Ampl = 0.20 V
  - Impedance = 50  $\Omega$
  - Freq = 1.000 kHz
- c. If using a Sierra Wireless Mini Card Dev Kit, connect the signals as follows:

- i. Connect the generator output signal to the MIC1\_P (positive) and MIC1\_N (negative) header pins located at CN18 on the Dev Kit.
- ii. Connect the analyzer input signal to the SPK1\_P (positive) and SPK1\_N (negative) header pins located at CN18 on the Dev Kit (see [Figure 8-1](#)). For additional details concerning use of the Dev Kit, see the *PCI Express Mini Card Dev Kit Quick Start Guide (Document 2130705)*.
- d. If using a custom host platform:
  - i. Connect the generator output to the microphone input (MIC, positive and negative) in the host.
  - ii. Connect the analyzer input to the Speaker output (SPK, positive and negative) in the host.

Figure 8-1: Mini Card Dev Kit showing MIC / SPK pins.



2. Set up the DUT using the following commands:
  - (MC5725V / MC5727V / MC5728V)
    - a. **AT!OEM=176** (Unlocks the extended AT command set)
    - b. **AT!DIAG** (Sets modem in Diagnostic mode)
    - c. **AT!AVAUDIOLPBK=1** (Enables audio loop-back mode)
    - d. **AT!CODECGAIN=8000,8000,8000** (Sets codec gains in the loopback path to +6 dB (Tx), +6 dB (Rx) and -6dB (SideTone).)
      - Total loopback gain =  $\Sigma(\text{codec gains}) - 2 \text{ dB}$
      - For this example, total loopback gain = +4 dB
  - (MC8775V / MC8785V / MC8790V / MC8791V / MC8792V)
    - a. **AT!UNLOCK="<lockCode>"** (Unlocks extended AT command set)
    - b. **AT!AVSETDEV=0,0,0** (Unmutes speaker and microphone for audio profile 0)



---

*Note: Actual measured results will vary, depending on your testing setup.*

---



---

*Note: QA is an ongoing process based on random samples from a finished batch of devices.*

---

- c. **ATI<sub>AVCODECSTG</sub>=0,FFFF** (Sets sidetone gain for audio profile 0)
- 3. Take measurements using the following commands (Note that the module has a gain of 4 dB in audio loopback mode.)
  - a. Press the ACV button to measure the AC level.
    - Expected range: 1–2.5 VAC
  - b. Press the FREQ button to measure the frequency.
    - Expected value: 1 kHz
  - c. Press the Shift and THD buttons at the same time to measure the total harmonic distortion.
    - Expected value: < 1%
  - d. Reset the audio parameters:
    - (MC5725V / MC5727V / MC5728V)  
**ATI<sub>AVAUDIOLPBK</sub>=0** (Disables audio loop-back mode)
    - (MC8775V / MC8785V / MC8790V / MC8791V / MC8792V)  
**ATI<sub>AVDEF</sub>** (Sets configurable audio parameters to default values)

## Quality assurance testing

The quality assurance tests that you perform on your finished products should be designed to verify the performance and quality of your devices.

The following are *some* testing suggestions that can confirm that the antenna is interfaced properly, and the RF module is calibrated and performs to specifications:

- Module registration on cellular networks
- Power consumption
- Originate and terminate data and voice (if applicable) calls
- Cell hand-off
- Transmitter and receiver tests
- FER (Frame Error Rate) as an indicator of receiver sensitivity / performance
- Channel and average power measurements to verify that the device is transmitting within product specifications
- RF sensitivity tests
- MC57xx-specific:
  - Waveform quality tests (calculating the “rho” parameter) to compare the CDMA signal’s power distribution against the ideal distribution—rho must be >0.97 with max freq error of 0.5 to pass.
  - FER testing—test the receiver sensitivity for conditions of minimum cell power. FER can be measured for the



specified receiver sensitivity of -104 dBm. The objective of this test is to determine if the FER measured is within the acceptable limits for the specified receiver sensitivity of the module. Unlike the FER tests performed during production testing, this test determines the receiver performance without the influence of the noise factor (AWGN), but with extremely low cell power. The reported FER and the confidence level must be <1% and >95% respectively for the test to be considered a pass.

- MC87xx-specific:
  - RF sensitivity testing: BER / BLER for different bands and modes
  - Transmitter and receiver tests (based on relevant sections of the 3GPP TS51010 and 3GPP 34121 documents)

## Suggested testing equipment

To perform production and post-production tests, you require appropriate testing equipment.

Figure 8-2 shows a suggested test station for use with devices incorporating either the MC57xx or the MC87xx.

In the test station as shown, a test computer coordinates testing between the host device with an integrated module and the measurement equipment. If the test computer does not have direct access to the module, then the host device must have custom software to forward instructions from the test computer to the module.

This suggested station setup includes:

- Audio analyzer—to evaluate Tx
- Power meter—to evaluate current consumption for Tx and Rx in various modes
- Signal generator—to evaluate Rx

When using this setup, you can allow the signal generator to run continuously throughout the production testing procedure.

Figure 8-2: Recommended production test setup

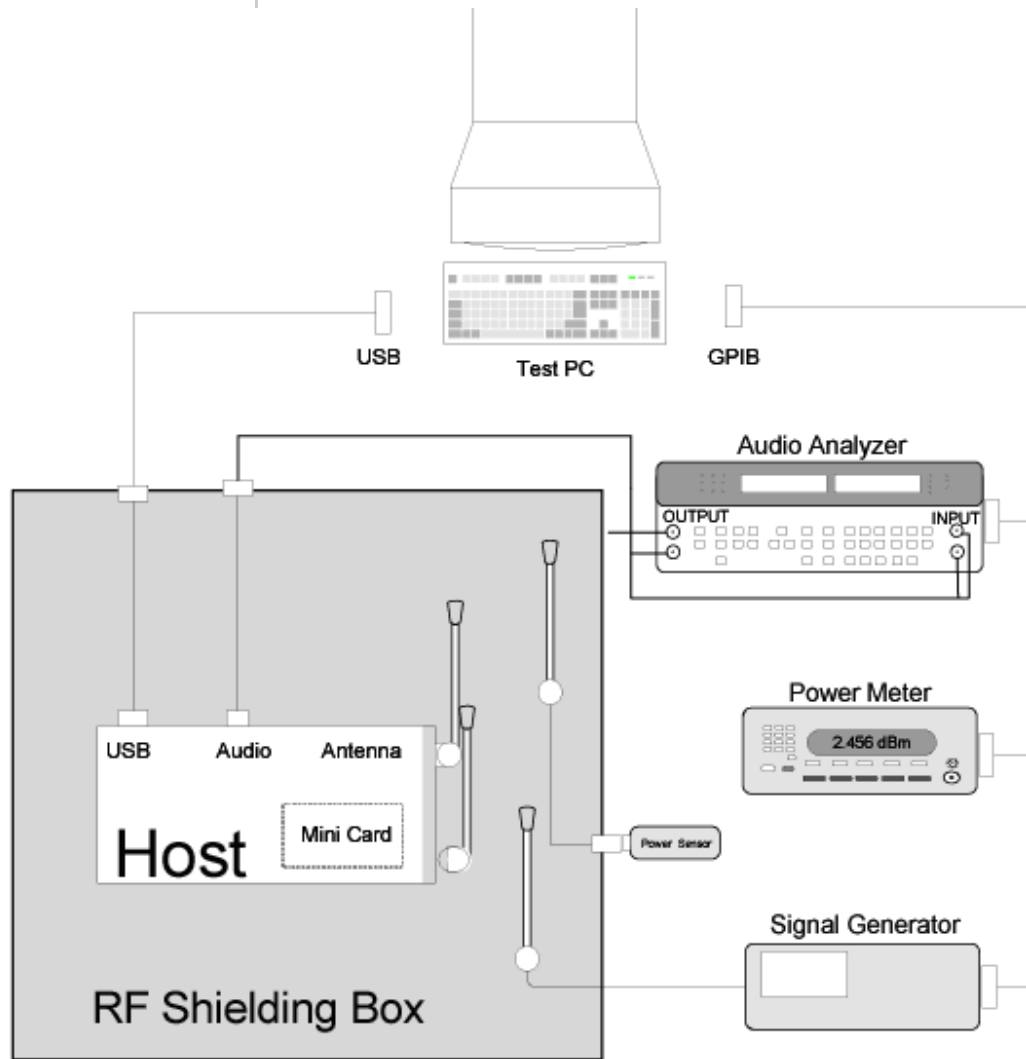
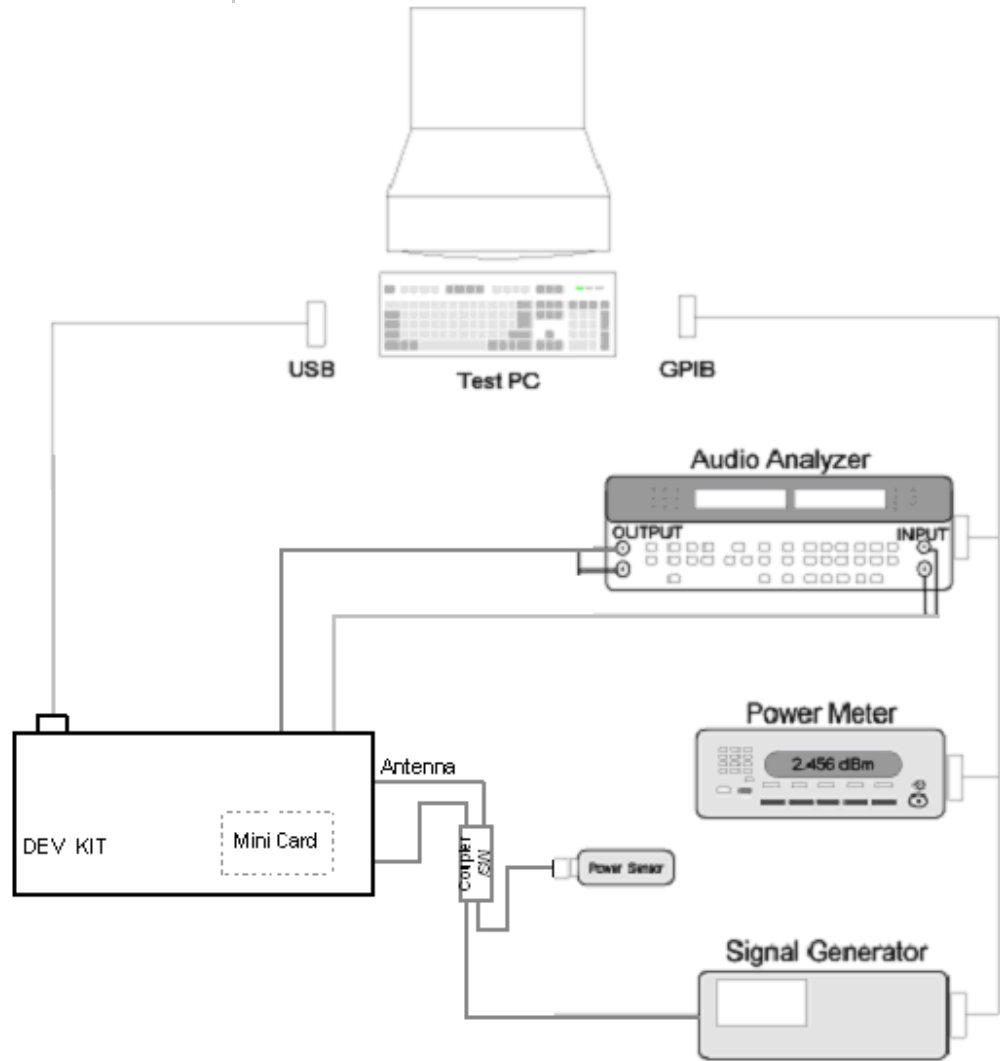


Figure 8-3: Recommended Dev Kit test setup





# »» A: Antenna Specification

This appendix describes electrical performance criteria for main path, diversity path, and GPS antennas used with MC57xx modules (CDMA networks) and MC87xx modules (GSM / EDGE / UMTS networks).

## Required antennas

Table A-1 lists minimum required antenna types for each module and the maximum antenna gain, including cable loss, in a mobile-only exposure condition.

*Note: If your system uses both the MC87xx and MC57xx, the five-band antenna can be used for both modules. However, improved antenna performance may be attained if a dual-band main-path antenna is designed and optimized specifically for the MC57xx.*

**Table A-1: Required antennas and maximum antenna gain by module type**

Module	Antenna type (minimum)		Maximum antenna gain <sup>a</sup>	
	Main	Diversity / GPS	Cellular band (dBi)	PCS band (dBi)
MC5725	2-band (Cellular / PCS)	3-band (Cellular / PCS / GPS)	5.1	4.15
MC5725V			5.1	4.15
MC5727			5.1	4.15
MC5727V			5.1	4.15
MC5728			TBD	TBD
MC5728V			TBD	TBD
MC8775	N.America: 2-band (Cellular/PCS) Eur/Asia: 3-band World: 5-band	n/a	5	4
MC8775V	N.America: 2-band (Cellular/PCS) Eur/Asia: 3-band World: 5-band	1-band (GPS)	5	4
MC8780	Eur/Asia: 3-band	3-band (Cellular/IMT/GPS)	5	4

**Table A-1: Required antennas and maximum antenna gain by module type**

Module	Antenna type (minimum)		Maximum antenna gain <sup>a</sup>	
	Main	Diversity / GPS	Cellular band (dBi)	PCS band (dBi)
MC8781	N.America: 2-band (Cellular/PCS)	3-band (Cellular/PCS/GPS)	5	4
MC8785V MC8790 MC8790V MC8791V MC8792V	N.America: 2-band (Cellular/PCS) Eur/Asia: 3-band World: 5-band	N.America: 3-band (Cell/PCS/GPS) Eur/Asia: 3-band (Cell/IMT/GPS) World: 4-band (Cell/IMT/PCS/GPS)	5	4

a. Gain limits in this table are as reported on FCC grants for each module, for consideration against RF exposure and ERP/EIRP limits.

### Frequency bands

Table A-2 and Table A-3 summarize the frequency bands that must be supported by main, diversity, and GPS antennas for CDMA and UMTS modules.

**Table A-2: Supported frequency bands (CDMA modules)**

Module	Band	Antenna	Mode	Frequency range
MC57xx	Cell	Main / Diversity (Rx)	Tx	824–849
			Rx	869–894
	PCS	Main / Diversity (Rx)	Tx	1850–1910
			Rx	1930–1990
GPS	Diversity or separate GPS antenna	Rx	1574–1576	

**Table A-3: Supported frequency bands (UMTS modules)**

Module	Main antenna					Diversity / GPS antenna				
	850	900	1800	1900	2100	GPS	850	900	1900	2100
MC8775	Y	Y	Y	Y	Y					
MC8775V	Y	Y	Y	Y	Y	Y <sup>a</sup>				
MC8780	Y	Y	Y	Y	Y	Y <sup>b</sup>	Y			Y
MC8781	Y	Y	Y	Y	Y	Y <sup>b</sup>	Y		Y	
MC8785V	Y	Y	Y	Y	Y	Y <sup>b</sup>	Y		Y	Y

Table A-3: Supported frequency bands (UMTS modules)

Module	Main antenna					Diversity / GPS antenna				
	850	900	1800	1900	2100	GPS	850	900	1900	2100
MC8790	Y	Y	Y	Y	Y	Y <sup>b</sup>	Y		Y	Y
MC8790V	Y	Y	Y	Y	Y	Y <sup>b</sup>	Y		Y	Y
MC8791V	Y	Y	Y	Y	Y	Y <sup>b</sup>				Y
MC8792V	Y	Y	Y	Y	Y	Y <sup>b</sup>		Y	Y	Y

a. GPS supported on separate GPS antenna

b. GPS supported on diversity antenna

Table A-4: Supported frequency bands (main/diversity/GPS antennas)

Frequency band	Frequency range (MHz)	Supported network types			
		GSM	GPRS	EDGE	UMTS
<b>Main Antenna</b>					
850 (North America)	Tx: 824–849 Rx: 869–894	Y	Y	Y	Y
900 (Europe)	Tx: 880–915 Rx: 925–960	Y	Y	Y	
1800 (Europe)	Tx: 1710–1785 Rx: 1805–1880	Y	Y	Y	
1900 (North America)	Tx: 1850–1910 Rx: 1930–1990	Y	Y	Y	Y
2100 (Europe)	Tx: 1920–1980 Rx: 2110–2170				Y
<b>Diversity / GPS Antenna (if GPS is enabled)</b>					
UMTS850 (North America)	Rx: 869-894				Y
UMTS1900 (PCS North America)	Rx: 1930–1990				Y
UMTS2100 (IMT Europe)	Rx: 2110–2170				Y
GPS (Worldwide)	Rx: 1574–1576				
<b>Secondary (GPS) Antenna</b>					
GPS (Worldwide)	Rx: 1574–1576				

## Antenna design

Design of main path, diversity path, and GPS antennas is determined by the host device OEM and their designated antenna designer.

---

*Note: Modems that support diversity and GPS can use the same secondary (diversity) antenna for both.*

---

---

*Note: Antennas should be designed BEFORE the industrial design is finished to make sure that the best antennas can be developed.*

---

### General antenna design requirements

In addition to passing the specific tests described in [Testing](#) beginning on [page 106](#), the main path and diversity / GPS path antennas should satisfy the following requirements:

- Antenna impedance at feeding terminal =  $50 \Omega$  (A simple matching circuit with six or fewer components is acceptable at the feeding terminal.)
- Nominally omni-directional radiation pattern in the azimuth plane

### Main antenna design requirements

In addition to passing the specific tests described in [Testing](#) beginning on [page 106](#), the main path antenna should satisfy the following requirements:

- Must handle 2 W RF power on low bands and 1 W on high bands

Measure the power using the following criteria:

- Measure power endurance over a period of 4 hours (estimated talk time) using a 2 W CW signal—set the frequency of the CW test signal to the middle of the PCS Tx band (1880 MHz for PCS).
- Visual inspection must prove there is no damage to the antenna structure and matching components.
- VSWR / TIS / TRP measurements taken before and after this test must show similar results.



## Diversity antenna design requirements (MC57xx / MC8780 / MC8781 / MC8785V / MC8790 / MC8790V / MC8791V / MC8792V)

Antenna diversity is required for end user performance and enhanced coverage on CDMA networks (800 MHz / 1900 MHz) for MC57xx, and on UMTS networks (850 MHz / 1900 MHz / 2100 MHz) for MC8780 / MC8781 / MC8785V / MC8790 / MC8790V / MC8791V / MC8792V. (See [Table A-3](#) on page 102 for UMTS diversity support by module.)

In addition to passing the specific tests described in [Testing](#) beginning on [page 106](#), the diversity path antenna should satisfy the following requirement:

- Receive performance, measured by forward link throughput, must be 0 to 3 dB better than a single antenna

### Performance goals

When designing the antenna system, consider the following performance goals:

- 0dB gain antenna (or better)
- Diversity antenna receive performance to be similar to primary antenna
- Separation distance or polarity separation to achieve diversity antenna isolation of 10db (minimum)—otherwise the receive antenna picks up too much power radiating from the primary antenna

## GPS antenna design requirements (MC57xx / MC8775V / MC878x)

A second antenna is required to access GPS functionality—if the modem also supports diversity, the same antenna can be used.

In addition to passing the specific tests described in [Testing](#) beginning on [page 106](#), the diversity path antenna should satisfy the following requirements:

- Field of view (FOV): Omni-directional in azimuth,  $-45^{\circ}$  to  $+90^{\circ}$  in elevation
- Polarization (average  $G_v/G_h$ ):  $> 0$  dB. Vertical linear polarization is sufficient (no need to optimize for circular polarization)
- Free space average gain ( $G_v+G_h$ ) over FOV:  $> -6$  dBi (preferably  $> -3$  dBi). Note: Average gain is the sum of average values ( $G_v + G_h$ ) where both  $G_v$  and  $G_h$  are

measured (and averaged) over  $-45^{\circ}$  to  $+90^{\circ}$  in elevation and  $\pm 180^{\circ}$  in azimuth.

- Maximum gain and uniform coverage in the high elevation angle and zenith. Gain in the azimuth plane is not desired.
- Average 3D gain:  $> -5$  dBi
- Typical VSWR:  $< 2:1$
- Polarization: any other than LHCP (left-hand circular polarized) is acceptable

The same design procedures outlined in [Interference and sensitivity](#) on [page 41](#) apply to the GPS path as well.

## Testing

The performance specifications described in this section are valid while the antenna is mounted in the host device with the antenna feed cable routed in its final application configuration.

The following guidelines apply to the tests in this section:

- Perform electrical measurements at room temperature ( $+20^{\circ}\text{C}$  to  $+26^{\circ}\text{C}$ ) unless otherwise specified
- For main and diversity path antennas, make sure the antennas (including contact device, coaxial cable, connectors, and matching circuit with no more than six components, if required) have nominal impedances of  $50\ \Omega$  across the frequency bands in [Table A-4](#).
- All tests (except isolation / correlation coefficient) – test the main or diversity antenna with the other antenna terminated.
- Any metallic part of the antenna system that is exposed to the outside environment needs to meet the electrostatic discharge tests per IEC61000-4-2 (conducted discharge  $+8\text{kV}$ ).
- The functional requirements of the antenna system are tested and verified while the MiniCard antenna is integrated in the host device.

---

*Note: Additional testing, including active performance tests, mechanical, and accelerated life tests can be discussed with Sierra Wireless' engineering services. Contact your Sierra Wireless representative for assistance.*

---

## Voltage Standing Wave Ratio (VSWR)

Measure VSWR for each antenna (main, diversity) using the following criteria:

- Measure VSWR in free space at the antenna’s coaxial connector (feeding terminal) when the antenna is installed in the host device with the cable routed to the Mini Card slot.
- Use an HP8753E network analyzer (or equivalent).

**Table A-5: VSWR (Voltage Standing Wave Ratio)**

Frequency (MHz)	Typical VSWR	Worst-case VSWR at band edges	Notes
<b>Main antenna</b>			
824–849		2.5:1	850-band Tx
869–880		3.5:1	850-band Rx excluding part inside 900-band Tx
880–915		2.5:1	900-band Tx
925–960		3.5:1	900-band Rx
1710–1785		2.5:1	1800-band Tx
1805–1850		3.5:1	1800-band Rx excluding part inside 1900-band Tx
1850–1910		2.5:1	1900-band Tx
1920–1980		2.5:1	2100-band Tx and part of 1900-band Rx
1980–1990		3.5:1	Part of 1900-band Rx outside of 2100-band Tx
2110–2170		3.5:1	2100-band Rx
<b>Diversity / GPS antenna</b>			
869–894	< 3:1	<3.5:1	Preferable to have input VSWR < 2:1
1930–1990	< 3:1	<3.5:1	
2110–2170	< 3:1	<3.5:1	

## Efficiency

Table A-6 details the minimum total radiated efficiency for main and, if supported, diversity antennas.

**Table A-6: Minimum total radiated efficiency<sup>a</sup>**

Mode	Main	Diversity
Transmit (Tx)	50%	n/a
Receive (Rx)	30%	25%

a. Total efficiency is measured at the RF connector. It includes mismatch losses, losses in the matching circuit, and antenna losses.

## Antenna-to-antenna isolation

(MC57xx / MC8775V / MC878x)

Use a network analyzer to measure isolation between the main and secondary antenna pairs over the operating Tx / Rx frequency bands described in [Table A-4](#) on page 103.

[Table A-7](#) details the minimum isolation allowed over the various frequency bands for the applicable antenna pairs.

**Table A-7: Minimum Main–Secondary antenna isolation**

Antenna pair	Isolation (dB)		
	850 / 900 band	GPS band	DCS / PCS / UMTS band
Main / Diversity (Tx and Rx)	8 (cell)		8 (PCS / UMTS)
Main (Tx) / GPS	15	15	15

When you perform these tests:

- If the antennas can be moved, test all positions for both the main and secondary antennas.
- Collect worst-case isolation data.
- Make sure all other wireless devices (Bluetooth or WLAN antennas, etc.) are turned OFF to avoid interference. For details, see [Interference from other wireless devices](#) on page 41.

---

*Note: System performance below the minimum isolation specification could cause damage to the module, resulting in below-average system performance.*

---

## Peak gain and radiation patterns

Table A-8 describes the peak and average antenna gain limits for the main path and diversity path antennas.

*Note: Sierra Wireless recommends using antenna efficiency as the **primary** parameter for evaluating the antenna system.*

*Antenna Peak Gain is not a good indication of antenna performance when integrated with a host device; the antenna does NOT provide omni-directional gain patterns. Peak Gain performance can be affected by parameters such as antenna size, location, design type, etc. The antenna gain patterns remain fixed unless one or more of these parameters changes.*

**Table A-8: Peak and average antenna gain**

Antenna	Peak gain <sup>a</sup>	Average gain <sup>b</sup>
Main	> +1 dBi	> -3 dBi
Diversity	> -3 dBi	> -6 dBi

a. Vertical / horizontal polarizations

b. Vertical / horizontal polarizations combined, over  $\pm 45^\circ$  in elevation and  $\pm 180^\circ$  in azimuth

## Fading correlation coefficient

(MC57xx / MC878x)

Measure the fading (envelope) correlation coefficient between the main and diversity antennas over the operating Rx frequency bands described in [Table A-4](#).

The maximum allowed fading correlation coefficient over any of the bands is 0.5.



## » B: Regulatory Information

### Important notice

Because of the nature of wireless communications, transmission and reception of data can never be guaranteed. Data may be delayed, corrupted (i.e., have errors) or be totally lost. Although significant delays or losses of data are rare when wireless devices such as the Sierra Wireless modem are used in a normal manner with a well-constructed network, the Sierra Wireless modem should not be used in situations where failure to transmit or receive data could result in damage of any kind to the user or any other party, including but not limited to personal injury, death, or loss of property. Sierra Wireless and its affiliates accept no responsibility for damages of any kind resulting from delays or errors in data transmitted or received using the Sierra Wireless modem, or for failure of the Sierra Wireless modem to transmit or receive such data.

### Safety and hazards

Do not operate your MC57xx / MC87xx modem:

- In areas where blasting is in progress
- Where explosive atmospheres may be present including refuelling points, fuel depots, and chemical plants
- Near medical equipment, life support equipment, or any equipment which may be susceptible to any form of radio interference. In such areas, the MC57xx / MC87xx modem **MUST BE POWERED OFF**. Otherwise, the MC57xx / MC87xx modem can transmit signals that could interfere with this equipment.

In an aircraft, the MC57xx / MC87xx modem **MUST BE POWERED OFF**. Otherwise, the MC57xx / MC87xx modem can transmit signals that could interfere with various onboard systems and may be dangerous to the operation of the aircraft or disrupt the cellular network. Use of a cellular phone in an aircraft is illegal in some jurisdictions. Failure to observe this instruction may lead to suspension or denial of cellular telephone services to the offender, or legal action or both.

Some airlines may permit the use of cellular phones while the aircraft is on the ground and the door is open. The MC57xx / MC87xx modem may be used normally at this time.

## Important compliance information for North American users

The MC57xx / MC87xx modem has been granted modular approval for mobile applications. Integrators may use the MC57xx / MC87xx modem in their final products without additional FCC / IC (Industry Canada) certification if they meet the following conditions. Otherwise, additional FCC / IC approvals must be obtained.

1. At least 20 cm separation distance between the antenna and the user's body must be maintained at all times.
2. To comply with FCC / IC regulations limiting both maximum RF output power and human exposure to RF radiation, the maximum antenna gain including cable loss in a mobile-only exposure condition must not exceed the levels detailed in [Table A-1, "Required antennas and maximum antenna gain by module type," on page 101.](#)
3. The MC57xx / MC87xx modem and its antenna must not be co-located or operating in conjunction with any other transmitter or antenna within a host device.
4. A label must be affixed to the outside of the end product into which the MC57xx / MC87xx modem is incorporated, with a statement similar to the following:
  - For MC5725 / MC5725V:  
**This device contains FCC ID: N7N-MC5725**  
**This equipment contains equipment certified under IC: 2417C-MC5725**
  - For MC5727 / MC5727V:  
**This device contains FCC ID: N7N-MC5727**  
**This equipment contains equipment certified under IC: 2417C-MC5727**
  - For MC5728 / MC5728V:  
**This device contains FCC ID: N7N-MC5728**  
**This equipment contains equipment certified under IC: 2417C-MC5728**
  - For MC8775 / MC8775V:  
**This device contains FCC ID: N7NMC8775**  
**This equipment contains equipment certified under IC: 2417C-MC8775**
  - For MC8780:  
**This device contains FCC ID: N7NMC8780**
  - For MC8781:  
**This device contains FCC ID: N7NMC8781**  
**This equipment contains equipment certified under IC: 2417C-MC8781**



- For MC8785V:  
**This device contains FCC ID: N7NMC8785**  
**This equipment contains equipment certified under IC: 2417C-MC8785**
  - For MC8790 / MC8790V:  
**This device contains FCC ID: N7NMC8790**  
**This equipment contains equipment certified under IC: 2417C-MC8790**
  - For MC8792V:  
**This device contains FCC ID: N7NMC8792**  
**This equipment contains equipment certified under IC: 2417C-MC8792**
5. A user manual with the end product must clearly indicate the operating requirements and conditions that must be observed to ensure compliance with current FCC / IC RF exposure guidelines.

The end product with an embedded MC57xx / MC87xx modem may also need to pass the FCC Part 15 unintentional emission testing requirements and be properly authorized per FCC Part 15.

**Note:** If this module is intended for use in a portable device, you are responsible for separate approval to satisfy the SAR requirements of FCC Part 2.1093 and IC RSS-102.

## EU regulatory conformity

Sierra Wireless hereby declares that the MC8775, MC8775V, MC8780, MC8781, MC8785V, MC8790, MC8790V, MC8791V, and MC8792V modems conform with all essential requirements of Directive 1999/5/EC.

# CE 0682

The Declaration of Conformity made under Directive 1999/5/EC is available for viewing at the following location in the EU community:

Sierra Wireless (UK), Limited  
Lakeside House  
1 Furzeground Way, Stockley Park East  
Uxbridge, Middlesex  
UB11 1BD  
England



# » C: Acronyms and Definitions

**Table C-9: Acronyms and definitions**

Acronym or term	Definition
AGC	Automatic Gain Control
BER	Bit Error Rate - a measure of receive sensitivity
BLER	Block Error Rate
Call Box	Base Station Simulator - Agilent E8285A or 8960, Rohde & Schwarz CMU200
CDMA	Code Division Multiple Access
dB	Decibel = $10 \times \log_{10} (P1/P2)$ <i>P1 is calculated power; P2 is reference power</i> Decibel = $20 \times \log_{10} (V1/V2)$ <i>V1 is calculated voltage, V2 is reference voltage</i>
dBm	Decibels, relative to 1 mW - Decibel(mW) = $10 \times \log_{10} (Pwr (mW)/1mW)$
DUT	Device Under Test
EDGE	Enhanced Data rates for GSM Evolution
EM	Embedded Module
ESD	ElectroStatic Discharge
FER	Frame Error Rate - a measure of receive sensitivity
GPRS	General Packet Radio Services
GPS	Global Positioning System
GSM	Global System for Mobile communications
Hz	Hertz = 1 cycle/second
inrush current	Peak current drawn when a device is connected or powered on
IS-2000	3G radio standards for voice and data (CDMA only)
IS-95	2G radio standards targeted for voice (cdmaONE)
LDO	Low Drop Out - refers to linear regulator

**Table C-9: Acronyms and definitions**

Acronym or term	Definition
MC5725 / MC5725V / MC5727 / MC5727V / MC5728 / MC5728V	Sierra Wireless Mini Cards used on CDMA networks
MC57xx	Any of the following CDMA Mini Cards: MC5725 / MC5725V / MC5727 / MC5727V / MC5728 / MC5728V
MC8775 / MC8775V / MC8780 / MC8781 / MC8785V / MC8790 / MC8790V / MC8791V / MC8792V	Sierra Wireless Mini Cards used on GSM/UMTS networks
MC87xx	Any of the following GSM/UMTS Mini Cards: MC8775 / MC8775V / MC8780 / MC8781 / MC8785V / MC8790 / MC8790V / MC8791V / MC8792V
MHz	MegaHertz = 10E6 Hertz (Hertz = 1 cycle/second)
MIO	Module Input/Output
MPE	Maximum Permissible Exposure — the level of radiation to which a person may be exposed without hazardous effect or adverse biological changes
OTA	Over-The-Air or Radiated through the antenna
PCS	Personal Communication System - PCS spans the 1.9 GHz radio spectrum
RF	Radio Frequency
RMS	Root Mean Square
SA	Selective Availability
Sensitivity (Audio)	Measure of lowest power signal that the receiver can measure
Sensitivity (RF)	Measure of lowest power signal at the receiver input that can provide a prescribed BER / BLER / SNR value at the receiver output.
SIM	Subscriber Identity Module
SNR	Signal to Noise Ratio
SOF	Start of Frame - a USB function
UART	Universal Asynchronous Receiver Transmitter
UDK	Universal Development Kit (PCI Express Mini Card Dev Kit)
UMTS	Universal Mobile Telecommunications System

**Table C-9: Acronyms and definitions**

Acronym or term	Definition
USB	Universal Serial Bus
USIM	Universal Subscriber Identity Module
VCC3.3	3.3 V supply voltage
WCDMA	Wideband Code Division Multiple Access — In this document, the term “UMTS” is used instead of “WCDMA”.
XIM	In this document, XIM is used as part of the contact identifiers for the USIM interface (XIM_VCC, XIM_CLK, etc.).



# Index

## Numerics

1X  
CDMA Standard 13

## A

acceptance tests 77  
acronyms and definitions 115–117  
airplane mode 19  
anechoic chamber, OTA testing 43  
antenna  
    connection and mounting points 39  
    connection considerations 39  
    custom, considerations 40  
    design requirements, diversity antenna 105  
    design requirements, general 104  
    design requirements, GPS 105  
    design requirements, main antenna 104  
    diversity antenna, disabling 41  
    diversity, MC57xx 105  
    frequency bands, supported 102  
    GPS, MC8775V / MC8780 / MC8781 105  
    limit, matching coaxial connections 39  
    location, considerations 40  
    matching, considerations 40  
    maximum cable loss 39  
    specification 101–109  
    testing 106  
antennas  
    design checklist 75  
    frequency bands supported, by antenna type 103  
    frequency bands supported, MC57xx 102  
    frequency bands supported, MC87xx 102  
    required, by module type and gain 101  
AT commands  
    3GPP specification, details 13  
    extended, MC57xx 68  
    extended, MC87xx 69  
    extended, overview 68  
    low power mode, setting 20  
    standard, MC57xx (reference document) 13  
    standard, MC87xx (reference document) 15  
AT commands, extended  
    MC57xx, reference 13  
    MC87xx, reference 15  
AT commands, standard  
    MC57xx, reference 13  
    MC87xx, reference 15  
audio  
    features, summary 51  
    functions, host-controlled 58  
    functions, module-controlled 58  
    functions, responsible codecs 52

    interface 51–59  
    path mixing, host-controlled 59  
    path switching, host-controlled 58  
    PCM digital, signal interface 58  
    primary, signal interface 57  
    signal interface 57  
    system block diagram, MC5725V 52  
    system block diagram, MC5727V 52  
    system block diagram, MC8775V 54  
audio modes, supported 55  
audio pass band 51  
audio passband, Rx and Tx 57  
automatic gain control (AGC)  
    module-controlled 58

## B

BER (Bit Error Rate) 45  
bit error rate (BER)  
    measure of sensitivity, MC87xx 45

## C

cable loss  
    antenna, maximum 39  
capacitance  
    inrush current, effect on 25  
capacitors  
    with USIM 68  
    with XIM\_DATA / XIM\_CLK 67  
car kit audio mode 51  
car kit mode  
    echo cancellation 56  
CDMA  
    1X Standard 13  
cellular band  
    RF parameters, MC57xx 37  
certification tests 78  
checklist, design 75  
CnS  
    MC57xx reference 13  
    MC87xx reference 15  
    notification issued, state change  
        temperature 23  
        voltage 21  
codec  
    for audio functions 52  
comfort noise  
    module-controlled 58  
communications, host to modem  
    design checklist 76  
connection  
    grounding 39  
connectors, required

- EDGE mating (52-pin) [12](#)
- host-module [12](#)
- RF, Hirose [12](#)
- USIM [12](#)
- current
  - consumption [27–35](#)
    - usage models [35](#)
  - peak inrush current, calculation [25](#)
  - specifications, MC57xx [28](#)
  - specifications, MC8775/75V [28–30](#)
  - specifications, MC8780/81 [30–31](#)
  - specifications, MC8785V [31–32, 32–33](#)
- current, consumption [27](#)

## D

- DCS 1800
  - RF parameters, MC87xx [37](#)
  - sensitivity, test results [48](#)
- desense. See RF
- design checklist
  - antennas [75](#)
  - component placement [75](#)
  - EMI/ESD [76](#)
  - host/modem communications [76](#)
  - power [75](#)
  - thermal [76](#)
- device
  - positioning, sensitivity testing [45](#)
- disconnected, module power state [19](#)
- diversity antenna
  - disabling [41](#)
- DTMF
  - codec [52](#)
  - module-controlled [58](#)

## E

- echo cancellation
  - audio feature [51](#)
  - codec [52](#)
  - details [56](#)
  - module-controlled [58](#)
  - support, all modes [56](#)
- EDGE connector, manufacturers [12](#)
- efficiency
  - test criteria [108](#)
- EGSM 900
  - RF parameters, MC87xx [37](#)
  - sensitivity, test results [47](#)
- electrostatic discharge. See ESD
- ESD
  - design checklist [76](#)
  - protection requirements [18](#)
  - testing techniques document (IEC-61000-4-2) [14](#)

## F

- fading correlation coefficient
  - test criteria [109](#)
- FCC
  - regulations, relevant section [13](#)
- FER (Frame Error Rate) [45](#)
- filtering
  - high pass / slope filtering, module-controlled [58](#)
- filtering stages, audio [51](#)
- filtering, RF desense [43](#)
- FIR filtering
  - audio feature [51](#)
  - codec [52](#)
  - module-controlled [58](#)
- frame error rate (FER)
  - measure of sensitivity, MC57xx [45](#)
- frequency bands, supported [102](#)

## G

- gain
  - codec [52](#)
  - distribution, audio [56](#)
  - limits, adjustable [51](#)
- gain, antenna
  - test criteria [109](#)
- GPS band
  - RF parameters, MC57xx [37](#)
  - RF parameters, MC87xx [38](#)
- GPS sensitivity
  - conducted, RF parameter, MC87xx [37](#)
- grounding
  - connection considerations [39](#)
- GSM 1900
  - sensitivity, test results [48](#)
- GSM 850
  - RF parameters, MC87xx [37](#)
  - sensitivity, test results [47](#)

## H

- handset audio mode [51](#)
- handset mode
  - echo cancellation [56](#)
- handshaking
  - USB [62](#)
- headset audio mode [51](#)
- headset mode
  - echo cancellation [56](#)
- Host/Module interface [61–71](#)

## I

- I/O rise time requirements [67](#)
- impedance
  - module-antenna [41](#)
  - USIM [67](#)



- inrush currents
  - description [24](#)
  - host power supply applied [25](#)
  - model, MC57xx [24](#)
  - model, MC87xx [25](#)
  - W\_Disable# deasserted [25](#)
- interface
  - audio signal [57](#)
- interference
  - device generated [42](#)
  - power supply noise [41](#)
  - wireless devices [41](#)
- isolation
  - test criteria [108](#)
- L**
- LED
  - example [65](#)
  - states [64](#)
- low power mode
  - setting, AT commands [20](#)
  - state change from normal, temperature [23](#)
  - state change from normal, voltage [21](#)
  - state change to normal, temperature [23](#)
  - state change to normal, voltage [21](#)
  - temperature trigger levels [22](#)
  - voltage trigger levels [20](#)
- low power, module power state [19–20](#)
- M**
- MC5725
  - AT commands, extended [68](#)
  - AT reference (extended) [13](#)
  - AT reference (standard) [13](#)
  - CnS reference [13](#)
  - networks supported [11](#)
  - product specification [14](#)
  - RF parameters (MC57xx) [37](#)
- MC5725V
  - AT commands, extended [68](#)
  - audio interface, supported [51](#)
  - product specification [14](#)
  - RF parameters (MC57xx) [37](#)
- MC5727
  - AT reference (extended) [13](#)
  - AT reference (standard) [13](#)
  - CnS reference [13](#)
  - RF parameters (MC57xx) [37](#)
- MC5727V
  - AT commands, extended [68](#)
  - audio interface, supported [51](#)
  - RF parameters (MC57xx) [37](#)
- MC57xx
  - current specifications [28](#)
  - sensitivity test results [46](#)
  - sensitivity, defined [45](#)
- MC8755
  - CnS reference, and MC87xx [15](#)
- MC8755V
  - CnS reference, and MC87xx [15](#)
- MC8765
  - CnS reference, and MC87xx [15](#)
- MC8775
  - AT commands, extended, and MC87xx [69](#)
  - AT reference (extended), and MC87xx [15](#)
  - AT reference (standard), and MC87xx [15](#)
  - CnS reference, and MC87xx [15](#)
  - current specifications [28–30](#)
  - networks supported [11](#)
  - product specification [14](#)
  - RF parameters [37](#)
- MC8775V
  - AT commands, extended, and MC87xx [69](#)
  - AT reference (extended), and MC87xx [15](#)
  - AT reference (standard), and MC87xx [15](#)
  - audio interface, supported [51](#)
  - CnS reference, and MC87xx [15](#)
  - current specifications [28–30](#)
  - networks supported [11](#)
  - pins, connector (2.6V) [61](#)
  - product specification [14, 15](#)
  - RF parameters [37](#)
- MC8780
  - AT commands, extended, and MC87xx [69](#)
  - AT reference (extended), and MC87xx [15](#)
  - AT reference (standard), and MC87xx [15](#)
  - current specifications [30–31](#)
  - networks supported [11](#)
  - power consumption [34](#)
  - product specification [14](#)
  - RF parameters [37](#)
- MC8781
  - AT commands, extended, and MC87xx [69](#)
  - AT reference (extended), and MC87xx [15](#)
  - AT reference (standard), and MC87xx [15](#)
  - current specifications [30–31](#)
  - networks supported [11](#)
  - power consumption [34](#)
  - product specification [14](#)
  - RF parameters [37](#)
- MC8785V
  - current specifications [31–32, 32–33](#)
  - networks supported [11](#)
- MC87xx
  - sensitivity test results [47–50](#)
  - sensitivity, defined [45](#)
- Mini Card
  - Dev Kit Quick Start Guide [15](#)
  - PCI Express Specification [15](#)
  - See also [MC5725, MC5725V, MC5727, MC5727V, MC8775, MC8775V, MC8780, MC8781, MC8785V](#)
- minicom
  - downloading and installing [84](#)
- mixing

- codec [52](#)
- modes
  - deep sleep, description [34](#)
  - operating [34](#)
  - shutdown, description [34](#)
  - sleep, description [34](#)
  - transmit / receive, description [34](#)
- module
  - power states [18–24](#)

**N**

- networks
  - supported, by module type [11](#)
- noise
  - leakage, minimizing [39](#)
  - RF interference, power supply [41](#)
- noise suppression
  - audio feature [51](#)
  - module-controlled [58](#)
- normal mode
  - state change from low power, temperature [23](#)
  - state change from low power, voltage [21](#)
  - state change to low power, temperature [23](#)
  - state change to low power, voltage [21](#)
- normal, module power state [19](#)

**O**

- off, module power state [19](#)
- output driver stage, audio feature [51](#)

**P**

- path loss, OTA testing [44](#)
- path switching
  - codec [52](#)
- PCB
  - multi-layer, shielding for RF desense [43](#)
- PCI Express
  - Mini Card specification [15](#)
- PCM digital audio, signal interface [58](#)
- PCS 1900
  - RF parameters, MC87xx [37](#)
- PCS band
  - RF parameters, MC57xx [37](#)
- pins
  - connector (2.6V), MC8775V [61](#)
- polyphonic ringtone
  - host-controlled [58](#)
- power
  - consumption, MC8780/81 [34](#)
  - current consumption, overview [27](#)
  - default state [19](#)
  - design checklist [75](#)
  - disconnected, characteristics [19](#)
  - normal, characteristics [19](#)
  - off, characteristics [19](#)

- off, state change, temperature [23](#)
  - off, state change, voltage [21](#)
  - power-up timing [26](#)
  - ramp-up timing [26](#)
  - required supply voltage [17](#)
  - signals, overview [17](#)
  - state machine, temperature monitoring [22–24](#)
  - state machine, voltage monitoring [20–22](#)
  - state, disconnected [19](#)
  - state, low power [19–20](#)
  - state, normal [19](#)
  - state, off [19](#)
  - states, module [18–24](#)
  - supply, RF interference [41](#)
  - supply, ripple limit [41](#)
  - transmit, wave form [26](#)
- power interface [17–35](#)
- product specification (PSD) [14](#)
- production tests [79](#)
- PSD (Product Specification Document) [14](#)

**Q**

- quality assurance tests [96](#)

**R**

- regulatory information [111–113](#)
  - EU [113](#)
  - FCC [112](#)
  - limitation of liability [111](#)
  - safety and hazards [111](#)
- resistors, external pull-up [67](#)
- resume
  - mode, USB [63](#)
- RF
  - antenna cable loss, maximum [39](#)
  - antenna connection, considerations [39](#)
  - cable type, required [12](#)
  - desense
    - device-generated [42](#)
    - harmonic energy, filtering [43](#)
    - mitigation suggestions [42](#)
    - shielding suggestions [43](#)
  - integration [37–50](#)
  - interference
    - other devices [42](#)
    - power supply [41](#)
    - wireless devices [41](#)
  - level lowered automatically, high temperature [24](#)
  - parameters
    - cellular band, MC57xx [37](#)
    - GPS, MC57xx [37](#)
    - MC57xx [37](#)
    - MC87xx [37](#)
    - PCS band, MC57xx [37](#)
  - parameters, MC87xx
    - DCS 1800 [37](#)

- EGSM 900 [37](#)
- GPS [38](#)
- GSM 850 [37](#)
- PCS 1900 [37](#)
- UMTS 1900 [38](#)
- UMTS 2100 [38](#)
- UMTS 850 [38](#)
- ringer tone
  - codec [52](#)
- ringers
  - module-controlled [58](#)
- ringtone, polyphonic
  - host-controlled [58](#)
- Rx band
  - RF parameters, MC57xx [37](#)
- Rx sensitivity
  - conducted, RF parameter, MC87xx [37](#)
  - RF parameter, MC57xx [37](#)

**S**

- SCI (Slot Cycle Index) [28](#)
- SED
  - see Smart Error Detection
- sensitivity
  - conducted, RF parameter, MC87xx [37](#)
  - defined, MC57xx and MC87xx [45](#)
  - GPS conducted, MC87xx [37](#)
  - MC57xx, defined (frame error rate) [45](#)
  - MC87xx, defined (bit error rate) [45](#)
  - measurements [47–50](#)
  - radiated measurement, overview [43](#)
  - RF parameter, MC57xx [37](#)
  - test results
    - MC57xx [46](#)
    - MC87xx [47–50](#)
  - testing
    - device under test, positioning [45](#)
  - testing, overview [43](#)
  - testing, path loss calculation [44](#)
- sensitivity, OTA test chamber configuration [43](#)
- shielding
  - module, compliance [40](#)
  - reducing RF desense [43](#)
- sidetone
  - responsible codec [59](#)
  - support [55](#)
- SIM
  - testing methods, MS conformance specification [15](#)
  - See also USIM
- Slot Cycle Index [28](#)
- Smart Error Detection
  - detecting module reset [34](#)
- speakerphone audio mode [51](#)
- speakerphone mode
  - echo cancellation [57](#)
- state machine
  - temperature monitoring [22–24](#)
  - voltage monitoring [20–22](#)

- suspend
  - mode, USB [63](#)
- system block
  - MC5725V, audio [52](#)
  - MC5727V, audio [52](#)
  - MC8775V, audio [54](#)

**T**

- temperature monitoring state machine
  - trigger levels [22](#)
- temperature, module. See thermal
- test
  - efficiency [108](#)
  - fading correlation coefficient [109](#)
  - gain, antenna [109](#)
  - isolation [108](#)
  - VSWR (Voltage Standing Wave Ratio) [106](#)
- testing
  - overview [77](#)
    - acceptance tests [77](#)
    - audio loop-back, MC5725V / MC5727V / MC8775V [94](#)
    - certification tests [78](#)
    - equipment, suggested [97](#)
    - ESD immunity, techniques document (IEC-61000-4-2) [14](#)
    - GPS receiver, MC8775V / MC8780 / MC8781 [93](#)
    - manual functional test, suggested [80](#)
    - production tests [79](#)
    - quality assurance tests [96](#)
    - RF receive path, MC57xx [88](#)
    - RF receive path, MC87xx [90](#)
    - RF transmission path, MC57xx [85](#)
    - RF transmission path, MC87xx [86](#)
    - sensitivity, OTA test chamber configuration [43](#)
    - suggestions [77–99](#)
  - testing, path loss calculation [45](#)
- thermal
  - considerations [73–74](#)
  - design checklist [76](#)
  - dissipation, factors affecting [73](#)
  - dissipation, suggestions [73](#)
  - RF shield temperature, maximum [74](#)
  - testing, module [73–74](#)
- timing
  - power ramp-up [26](#)
  - power-up [26](#)
- transducer interface
  - host-controlled [59](#)
- transducer interfaces
  - codec [52](#)
- transmit power wave form [26](#)
- Tx band
  - RF parameters, MC57xx [37](#)
- Tx power
  - conducted, RF parameter, MC87xx [37](#)
  - RF parameters, MC57xx [37](#)

## U

- UDK (Universal Development Kit)
  - components, included [11](#)
- UMTS 1900
  - RF parameters, MC87xx [38](#)
  - sensitivity, test results [50](#)
- UMTS 2100
  - RF parameters, MC87xx [38](#)
  - sensitivity, test results [50](#)
- UMTS 850
  - RF parameters, MC87xx [38](#)
  - sensitivity, test results [49](#)
- Universal Development Kit (UDK)
  - components, included [11](#)
- Universal Serial Bus. See USB.
- usage models
  - current consumption [35](#)
- USB
  - enumeration, power-up [26](#)
  - handshaking [62](#)
  - host driver requirements [63](#)
  - interface
    - host/module communication [62–64](#)
    - overview [62](#)
  - resume mode [63](#)
  - specification [15](#)
  - suspend mode [63](#)
- USIM
  - capacitor recommendations [68](#)
  - card contacts [66](#)
  - clock rate [67](#)
  - connector type, required [12](#)
  - electrical specifications [67](#)
  - impedance, connectors [67](#)

- interface diagram [66](#)
- interface, overview [65](#)
- operation [67–68](#)
- pin assignments [65](#)
- socket placement [68](#)

## V

- voice memo
  - host-controlled [58](#)
- voltage monitoring state machine
  - trigger levels [20](#)
- Voltage Standing Wave Ratio (VSWR)
  - test criteria [106](#)
- volume, setting
  - responsible codec [59](#)
- VSWR (Voltage Standing Wave Ratio)
  - test criteria [106](#)

## W

- W\_Disable#
  - deasserted, causes inrush current event [25](#)
  - de-asserted, peak current [25](#)
  - inrush currents [24](#)
  - module, powering off [21, 23](#)
  - Normal state [19](#)
  - off state [19](#)

## Z

- ZIF (Zero Intermediate Frequency) [41](#)



